



US00D769417S

(12) **United States Design Patent**
Rexach

(10) **Patent No.:** **US D769,417 S**
(45) **Date of Patent:** **** Oct. 18, 2016**

- (54) **FAUCET**
- (71) Applicant: **Kohler Co.**, Kohler, WI (US)
- (72) Inventor: **Rafael Alfredo Rexach**, Sheboygan, WI (US)
- (73) Assignee: **KOHLER CO**, Kohler, WI (US)
- (**) Term: **14 Years**
- (21) Appl. No.: **29/519,948**
- (22) Filed: **Mar. 9, 2015**
- (51) **LOC (10) Cl.** **23-01**
- (52) **U.S. Cl.**
USPC **D23/238**
- (58) **Field of Classification Search**
USPC D23/238-243, 249-250, 252, 255, 257
CPC E03C 1/04; E03C 1/0401; E03C 1/0402;
E03C 1/0404; F16K 31/602; F16K 31/605;
F16K 31/607
See application file for complete search history.

- D645,941 S 9/2011 Ando et al.
- D689,987 S 9/2013 Kington et al.
- 8,567,430 B2 * 10/2013 Allen F16K 31/602
137/315.15
- D720,432 S 12/2014 Hundley et al.

OTHER PUBLICATIONS

US Notice of Allowance on U.S. Appl. No. 29/519,944 dated Mar. 3, 2016.

* cited by examiner

Primary Examiner — Robert Delehanty

(74) *Attorney, Agent, or Firm* — Foley & Lardner LLP

(57) **CLAIM**

I claim the ornamental design for a faucet, as shown and described.

DESCRIPTION

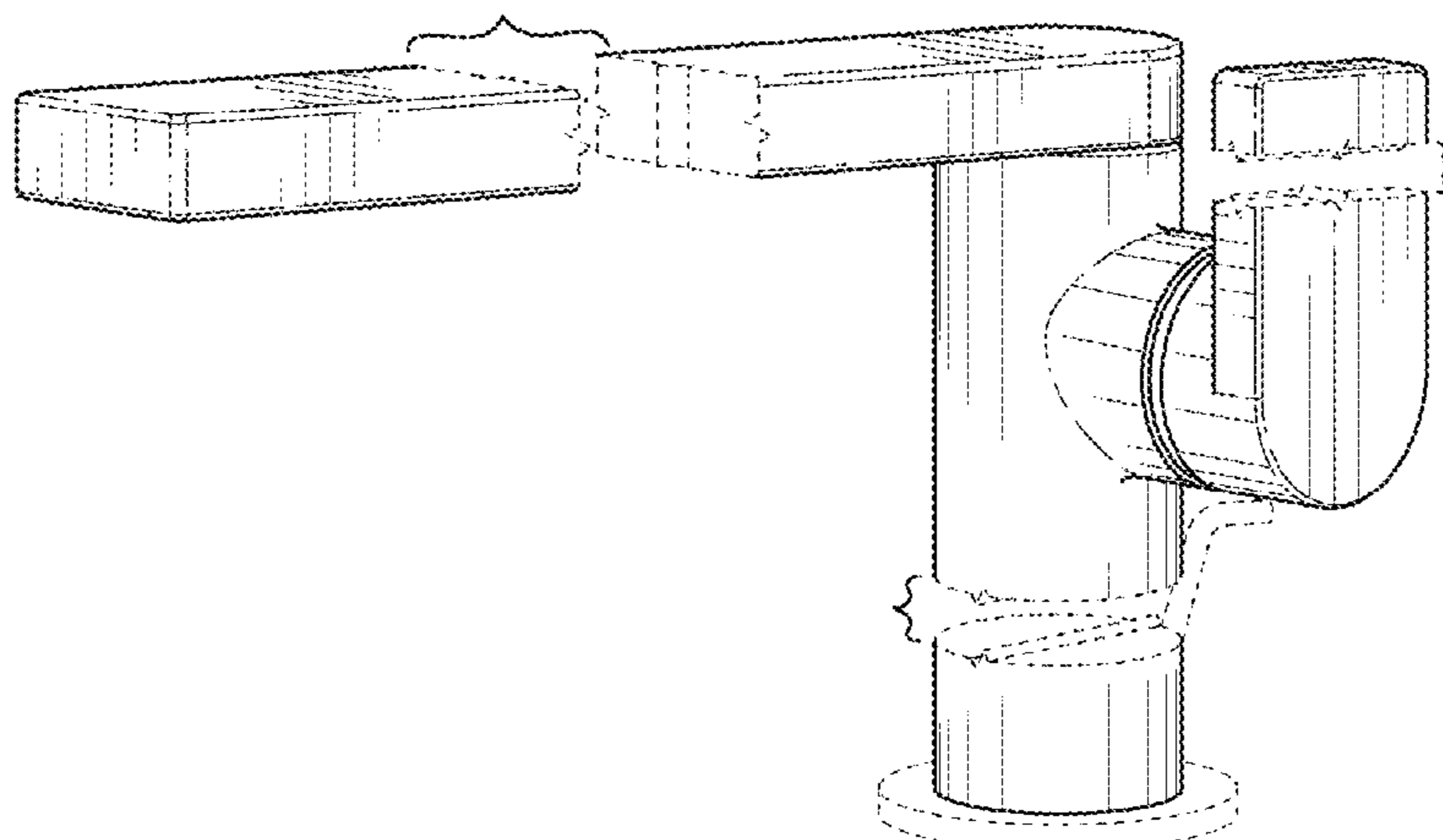
FIG. 1 is a top, front, right perspective view of an embodiment of the claimed design;
 FIG. 2 is a front elevation view thereof;
 FIG. 3 is a rear elevation view thereof;
 FIG. 4 is a left elevation view thereof;
 FIG. 5 is a right elevation view thereof;
 FIG. 6 is a top, plan view thereof; and,
 FIG. 7 is a bottom, plan view thereof.
 The ornamental design which is claimed is shown in solid lines in the drawings. The broken lines in the drawings form no part of the claimed design. Broken lines formed by equal length dashes show unclaimed subject matter. Broken away symbols having a jagged element show that no particular length of the portion is claimed.

1 Claim, 4 Drawing Sheets

(56) **References Cited**

U.S. PATENT DOCUMENTS

- D466,987 S 12/2002 Smith
- D503,217 S 3/2005 Aubry et al.
- D527,794 S * 9/2006 Sieger D23/238
- D530,790 S 10/2006 Kohler, Jr. et al.
- D534,619 S 1/2007 Garner
- D534,993 S 1/2007 Kirar
- D563,192 S 3/2008 Barry
- D588,235 S 3/2009 Rexach
- D598,072 S * 8/2009 Zetsche D23/238
- D602,570 S 10/2009 Lammel et al.
- D605,261 S * 12/2009 Allard D23/255
- D615,162 S 5/2010 Pan
- D628,277 S 11/2010 Montgomery



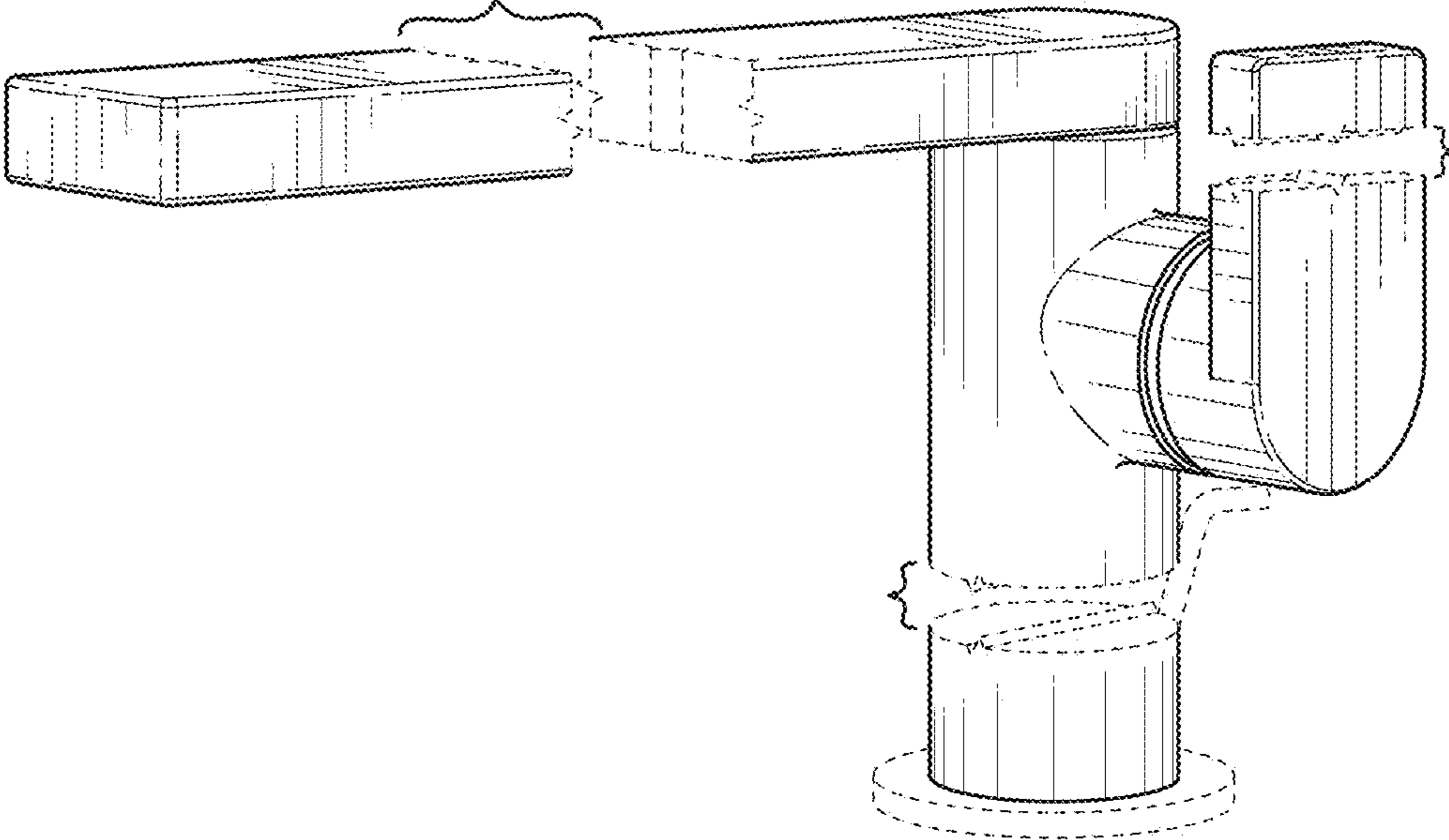


FIG. 1

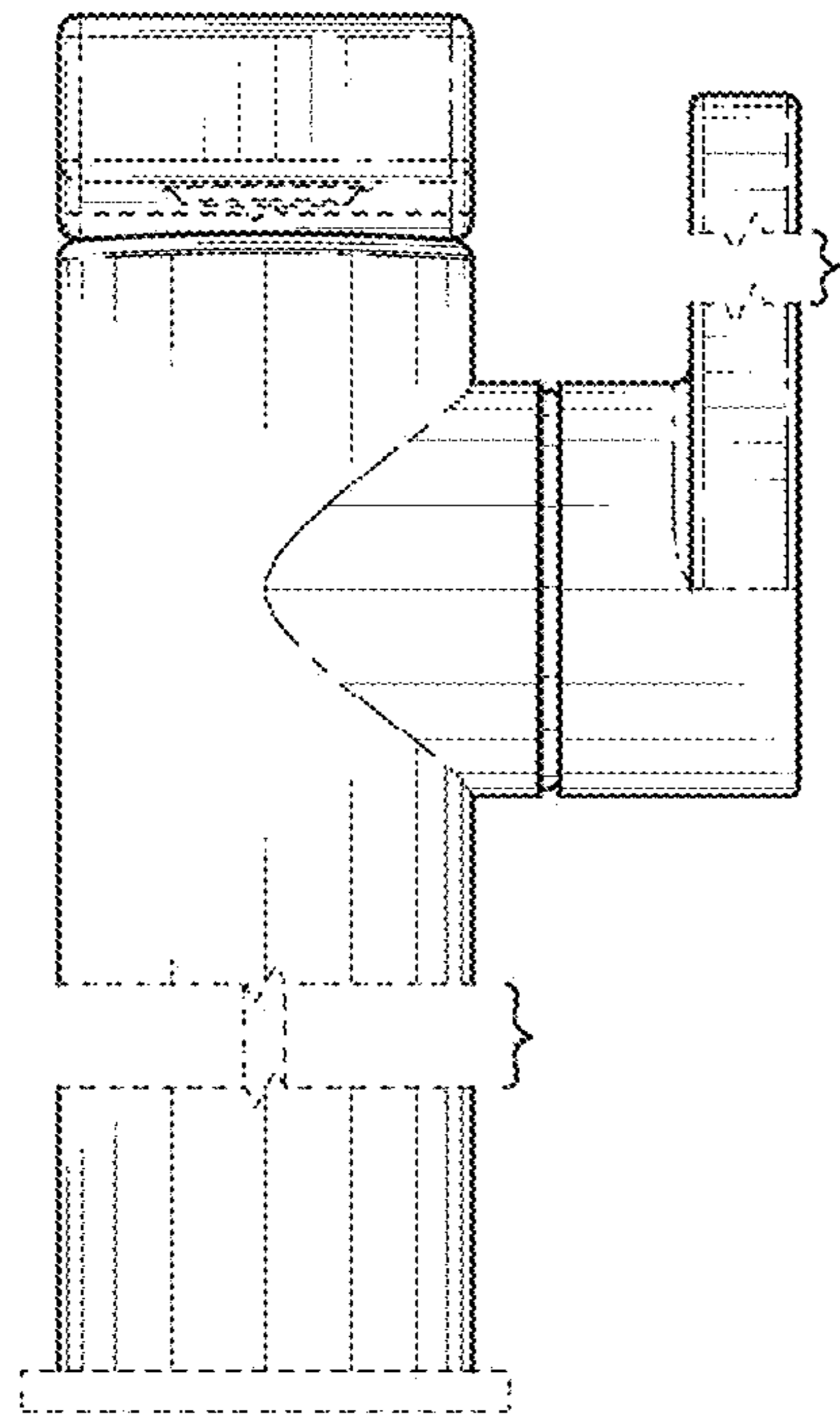


FIG. 2

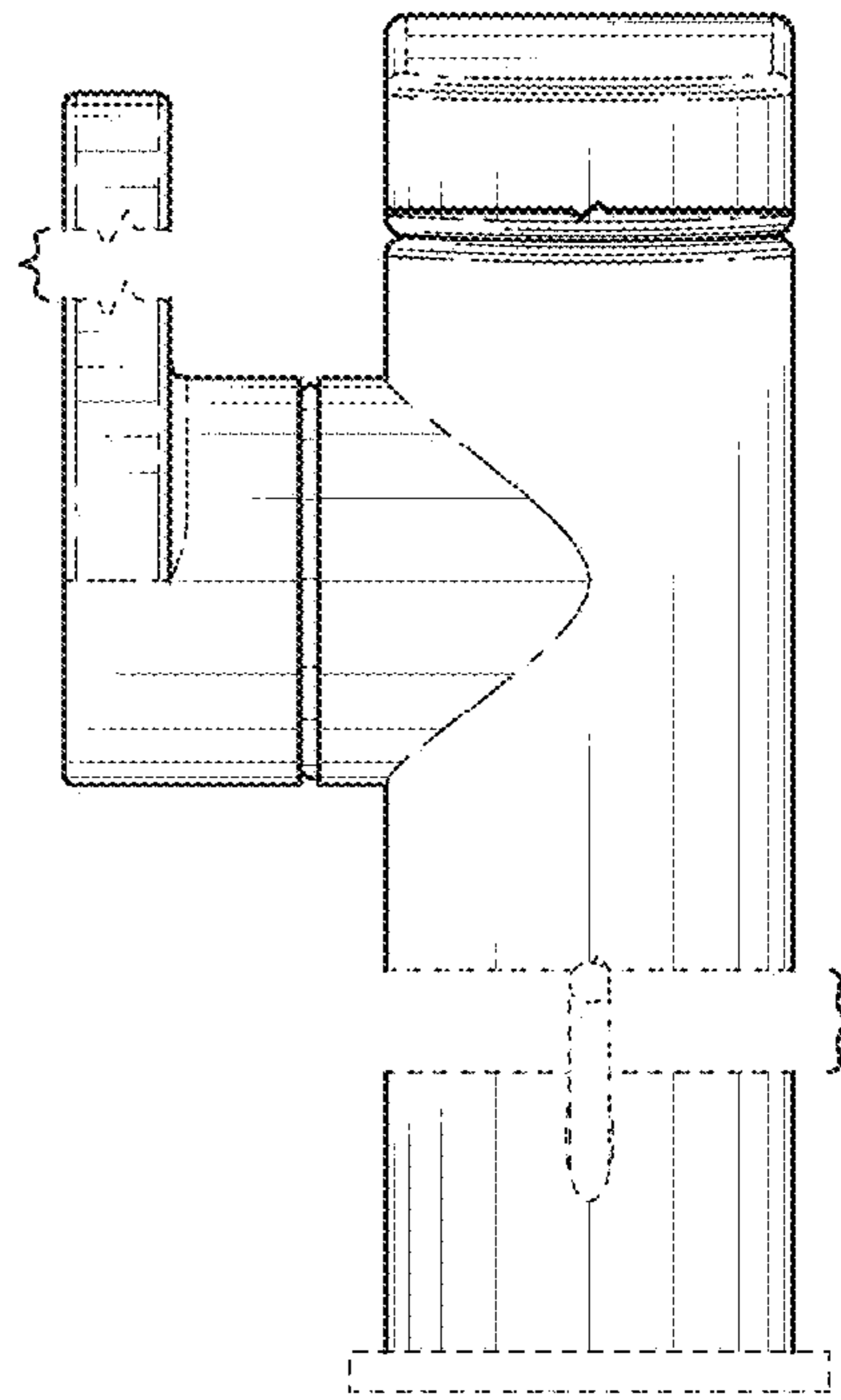


FIG. 3

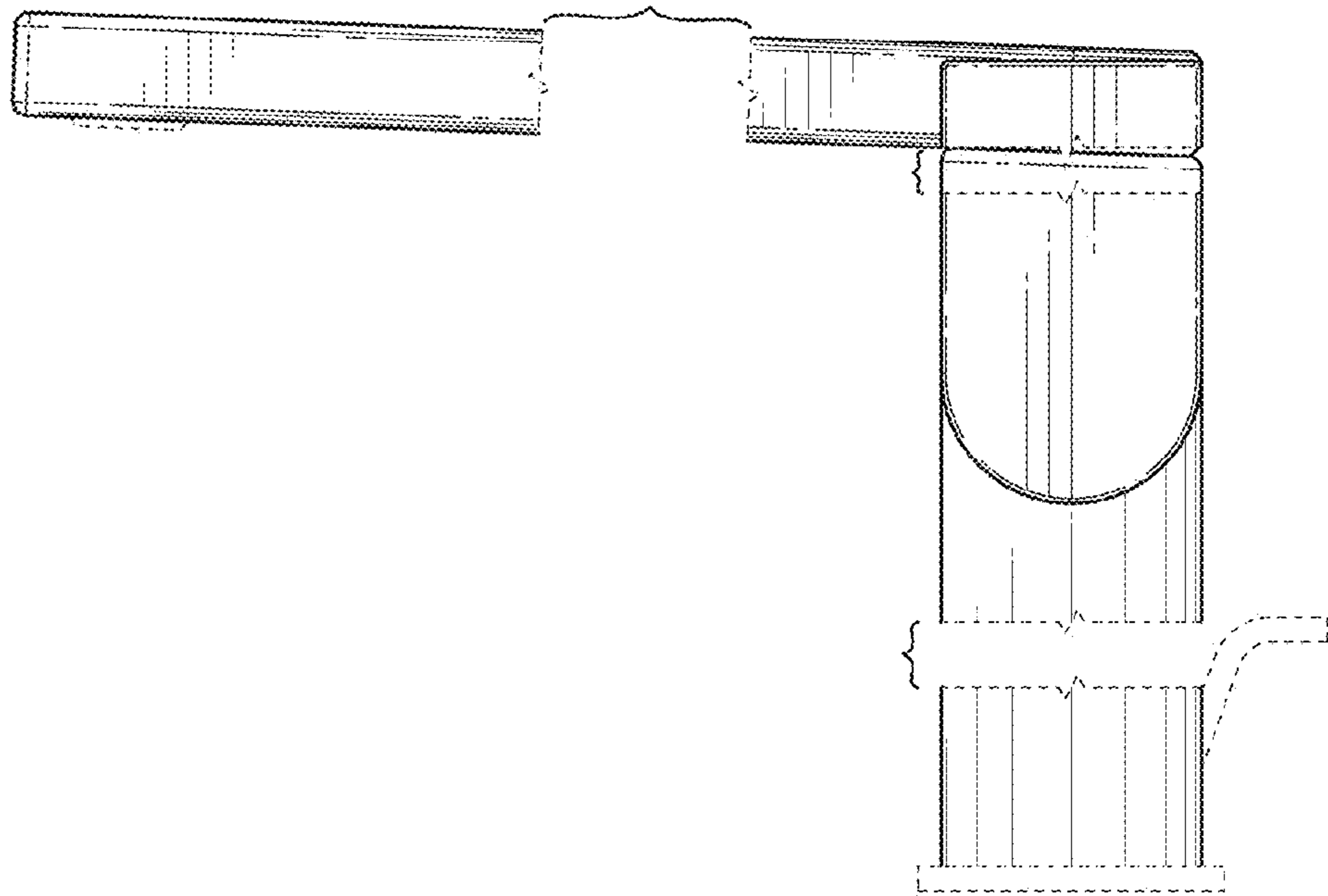


FIG. 4

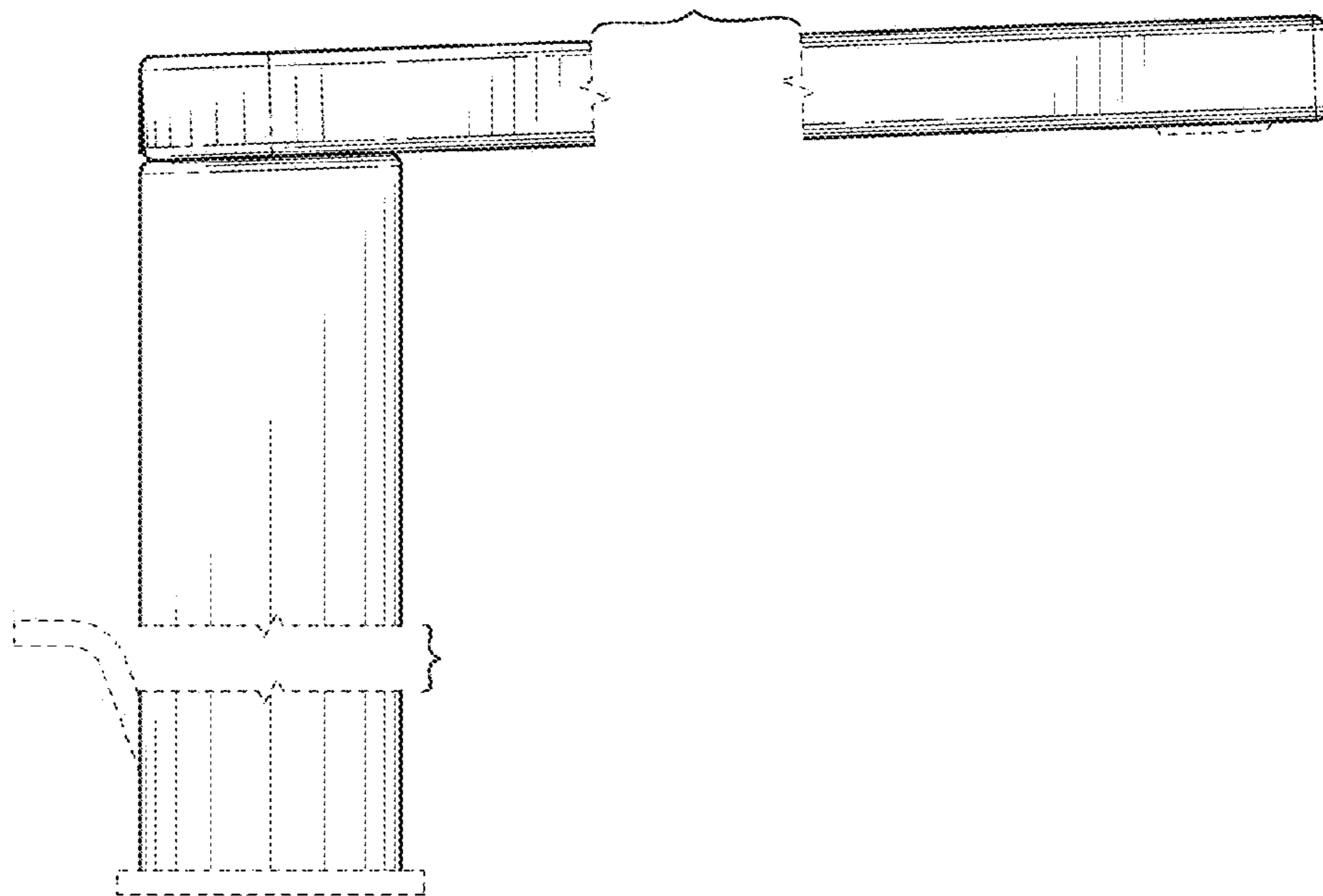


FIG. 5

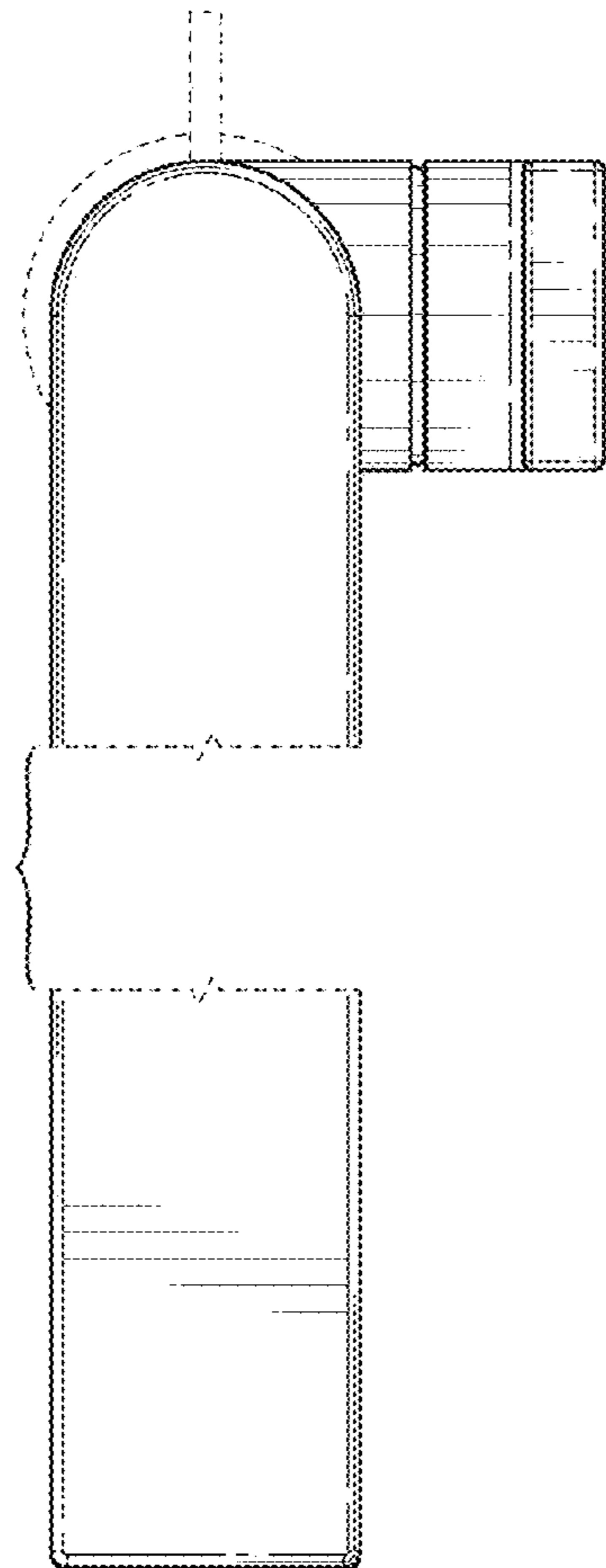


FIG. 6

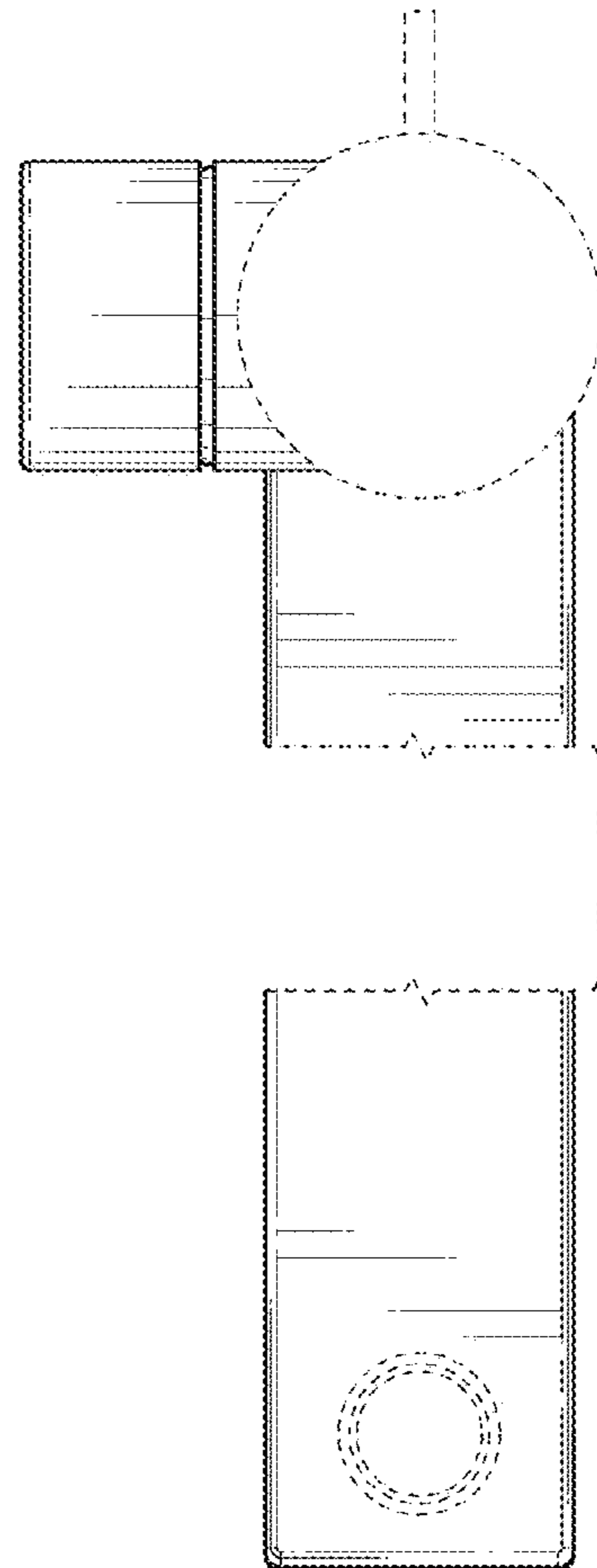


FIG. 7