



US00D769416S

(12) **United States Design Patent** (10) **Patent No.:** **US D769,416 S**  
**Guest et al.** (45) **Date of Patent:** **\*\* Oct. 18, 2016**

(54) **FIRE HYDRANT** 8,302,623 B1 \* 11/2012 Nichols ..... F16K 15/03  
137/283

(71) Applicant: **Mueller International, LLC**, Atlanta, GA (US) D762,282 S 7/2016 Guest et al.  
D762,283 S 7/2016 Guest et al.

(72) Inventors: **James Mark Guest**, Rainbow City, AL (US); **Justin Childress**, Albertville, AL (US); **Christopher Joseph Duckett**, Albertville, AL (US); **Gary Wayne Hadley**, Albertville, AL (US); **Zack Snyder**, Southside, AL (US)

(73) Assignee: **Mueller International, LLC**, Atlanta, GA (US)

(\*\*) Term: **15 Years**

(21) Appl. No.: **29/545,305**

(22) Filed: **Nov. 11, 2015**

(51) **LOC (10) Cl.** ..... **23-01**

(52) **U.S. Cl.**  
USPC ..... **D23/234**

(58) **Field of Classification Search**  
USPC ..... D23/234; 137/299, 272, 71, 296, 382, 137/800, 527, 15.02, 315.41, 527.8; 220/284, 725, 726; D21/483; D6/515  
CPC ..... F16K 27/006; F16K 35/10  
See application file for complete search history.

(56) **References Cited**

**U.S. PATENT DOCUMENTS**

D190,986 S *	7/1961	Watkins	.....	D23/234
D214,900 S *	8/1969	Page	.....	D23/234
D262,555 S *	1/1982	Skubic	.....	D21/483
D282,109 S *	1/1986	Golden	.....	D23/234
D314,227 S *	1/1991	Christ	.....	D23/215
D328,620 S *	8/1992	Maple	.....	D21/483
6,112,761 A *	9/2000	Scotto	.....	E03B 9/06 137/296
D480,243 S *	10/2003	Edwards	.....	D23/234
D631,134 S *	1/2011	German	.....	D23/234

**OTHER PUBLICATIONS**

Guest, James Mark; U.S. Design Application entitled: Fire Hydrant Fluting having U.S. Appl. No. 29/545,299, filed Nov. 11, 2015, 5 pgs.

Guest, James Mark; U.S. Design Application entitled: Fire Hydrant Contours having U.S. Appl. No. 29/545,306, filed Nov. 11, 2015, 5 pgs.

James Jones Company; Product Sheet for Hydrant Body—Ductile Iron, Revision C, publicly available prior to Nov. 11, 2015, 1 pg.

James Jones Company; Product Sheet for Hydrant Body—Ductile Iron, Revision D, publicly available prior to Nov. 11, 2015, 1 pg.

(Continued)

*Primary Examiner* — Cynthia Ramirez

*Assistant Examiner* — Gino Colan

(74) *Attorney, Agent, or Firm* — Taylor English Duma LLP

(57) **CLAIM**

We claim the ornamental design for a fire hydrant, as shown and described.

**DESCRIPTION**

FIG. 1 is a perspective view of a fire hydrant showing our new design.

FIG. 2 is a front elevation view thereof.

FIG. 3 is a rear elevation view thereof.

FIG. 4 is a right-side elevation view thereof.

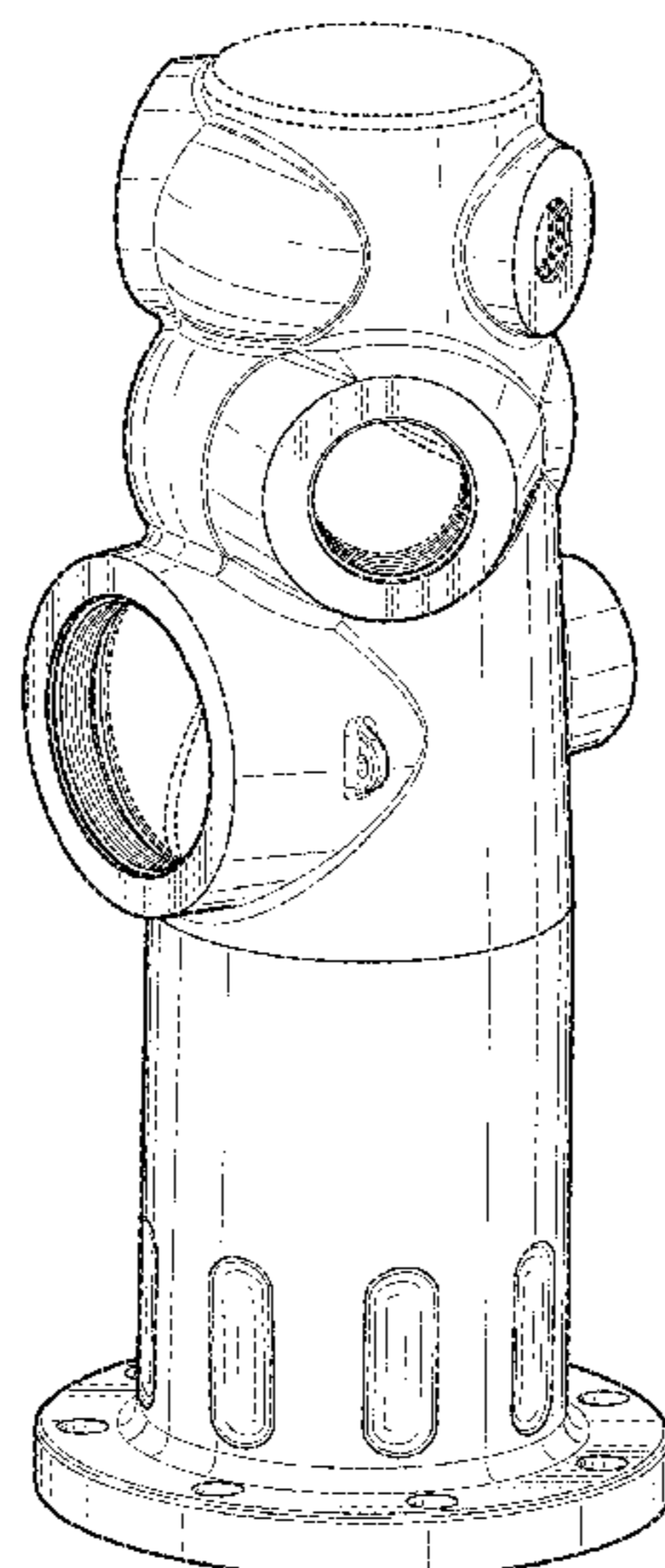
FIG. 5 is a left-side elevation view thereof.

FIG. 6 is a top plan view thereof; and,

FIG. 7 is a bottom plan view thereof.

The broken lines shown in the figures are for the purpose of illustrating portions of the fire hydrant and form no part of the claimed design.

**1 Claim, 4 Drawing Sheets**



(56)

**References Cited**

OTHER PUBLICATIONS

Mueller Co.; Brochure for Mueller Super Centurion 250 Fire Hydrant, publicly available prior to Nov. 11, 2015, 6 pgs.  
Mueller Co.; Specification Sheet for Mueller Super Centurion Fire Hydrant, publicly available prior to Nov. 11, 2015, 1 pg.  
Guest, James Mark; Issue Notification for U.S. Appl. No. 29/545,299, filed Nov. 11, 2015, mailed Jul. 5, 2016, 1 pg.

Guest, James Mark; Notice of Allowance for U.S. Appl. No. 29/545,299, filed Nov. 11, 2015, mailed Jun. 3, 2016, 12 pgs.

Guest, James Mark; Issue Notification for U.S. Appl. No. 29/545,306, filed Nov. 11, 2015, mailed Jul. 5, 2016, 1 pg.

Guest, James Mark; Notice of Allowance for U.S. Appl. No. 29/545,306, filed Nov. 11, 2015, mailed May 27, 2016, 13 pgs.

\* cited by examiner

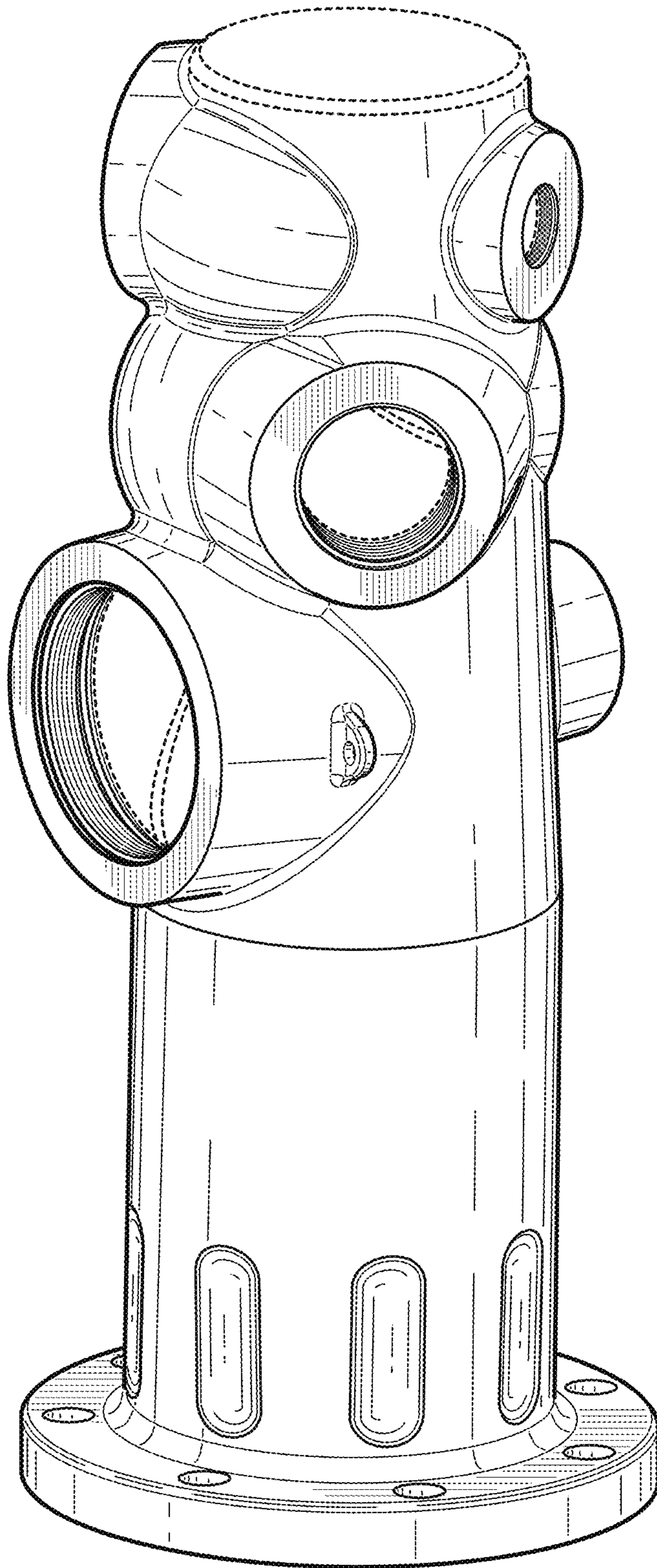
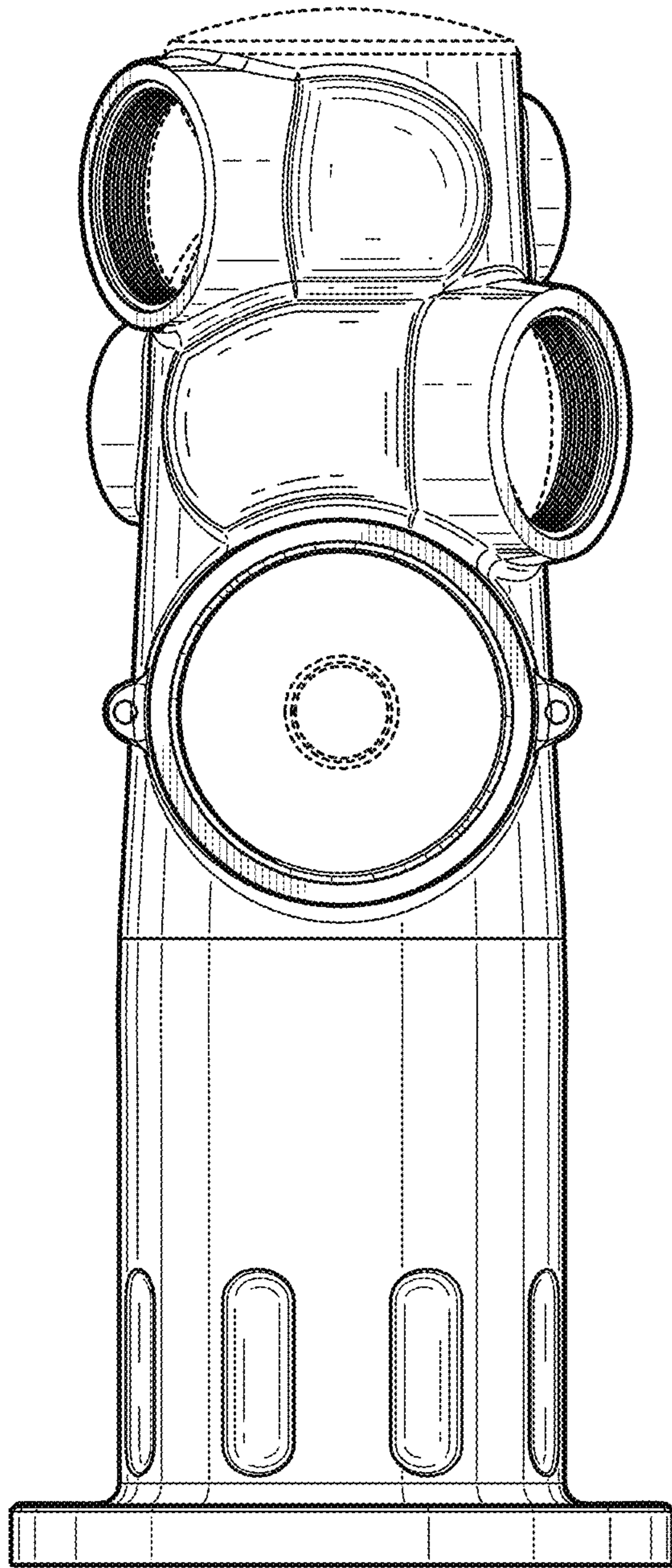
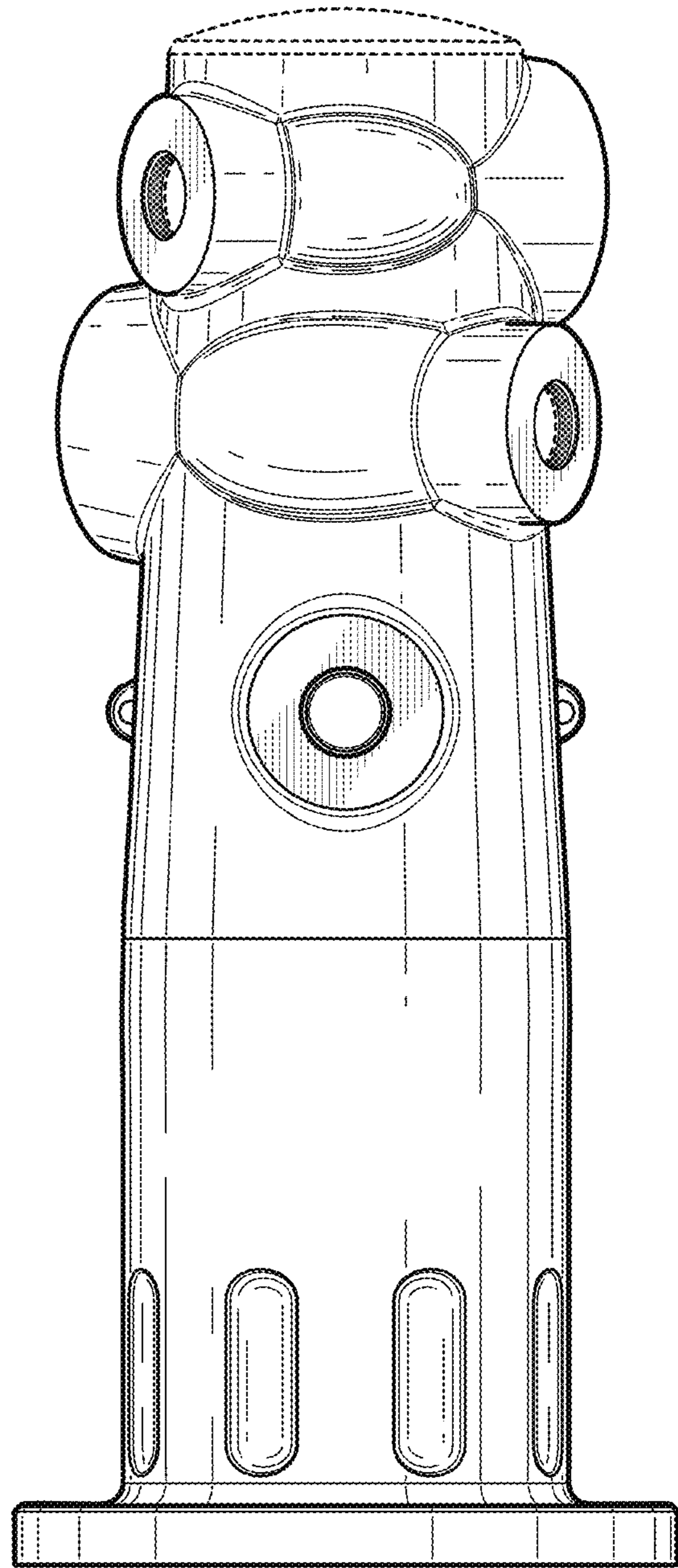


FIG. 1



**FIG. 2**



**FIG. 3**

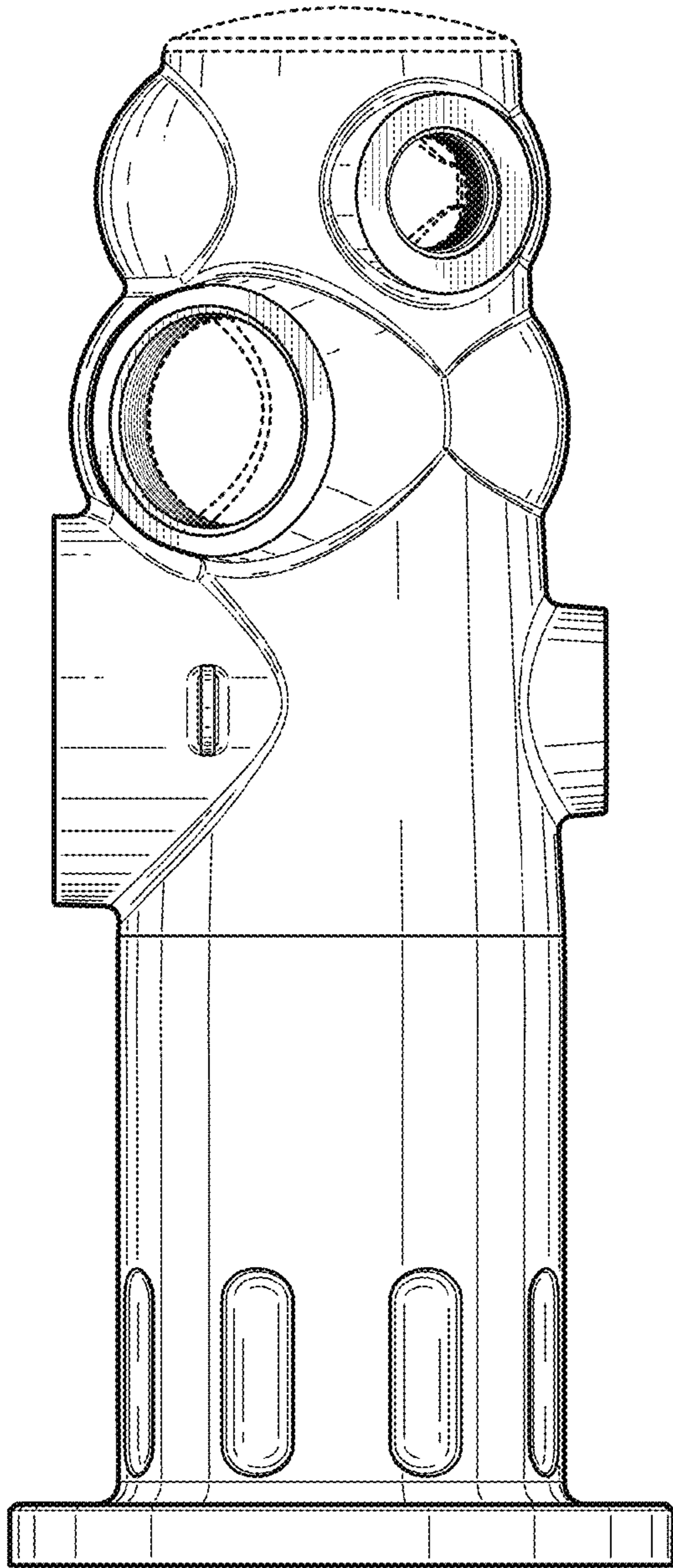


FIG. 4

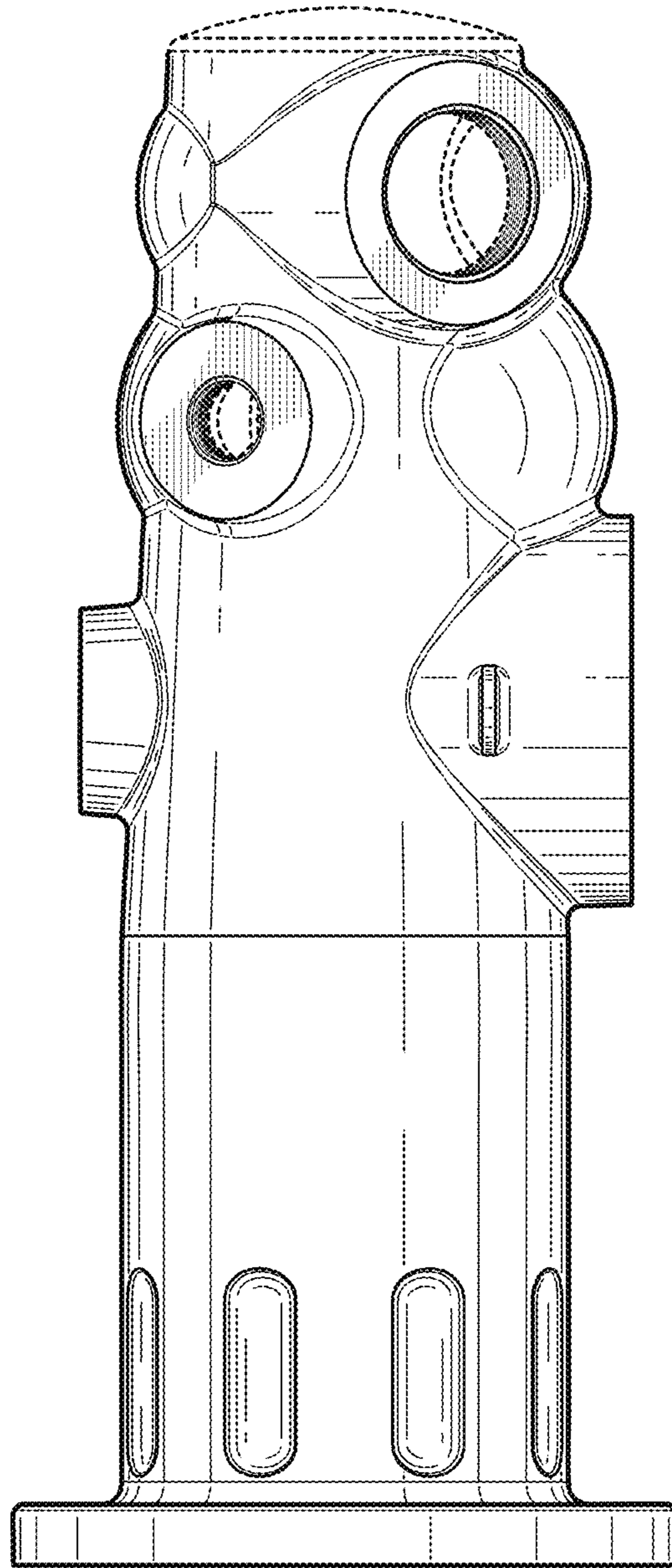
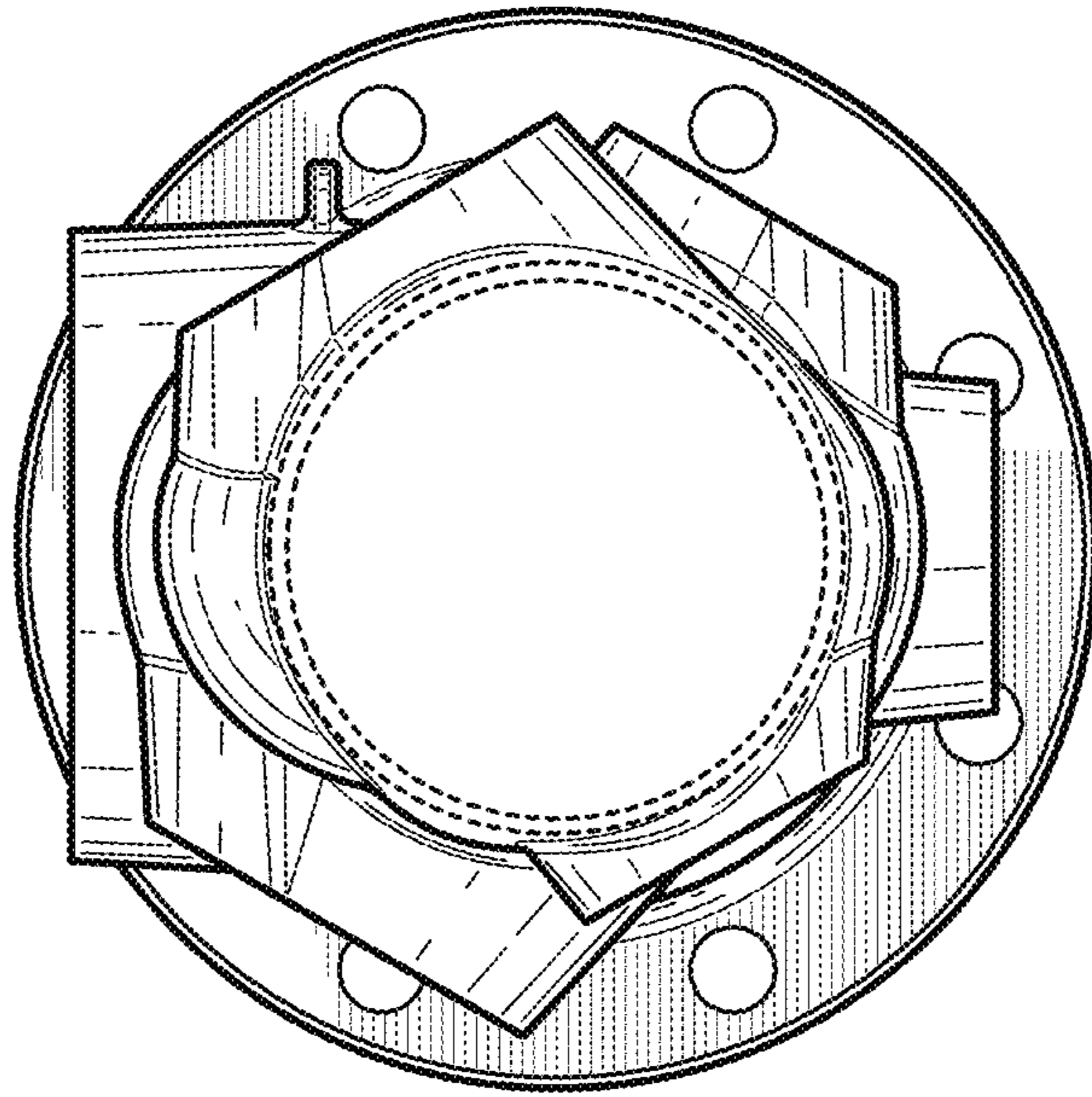
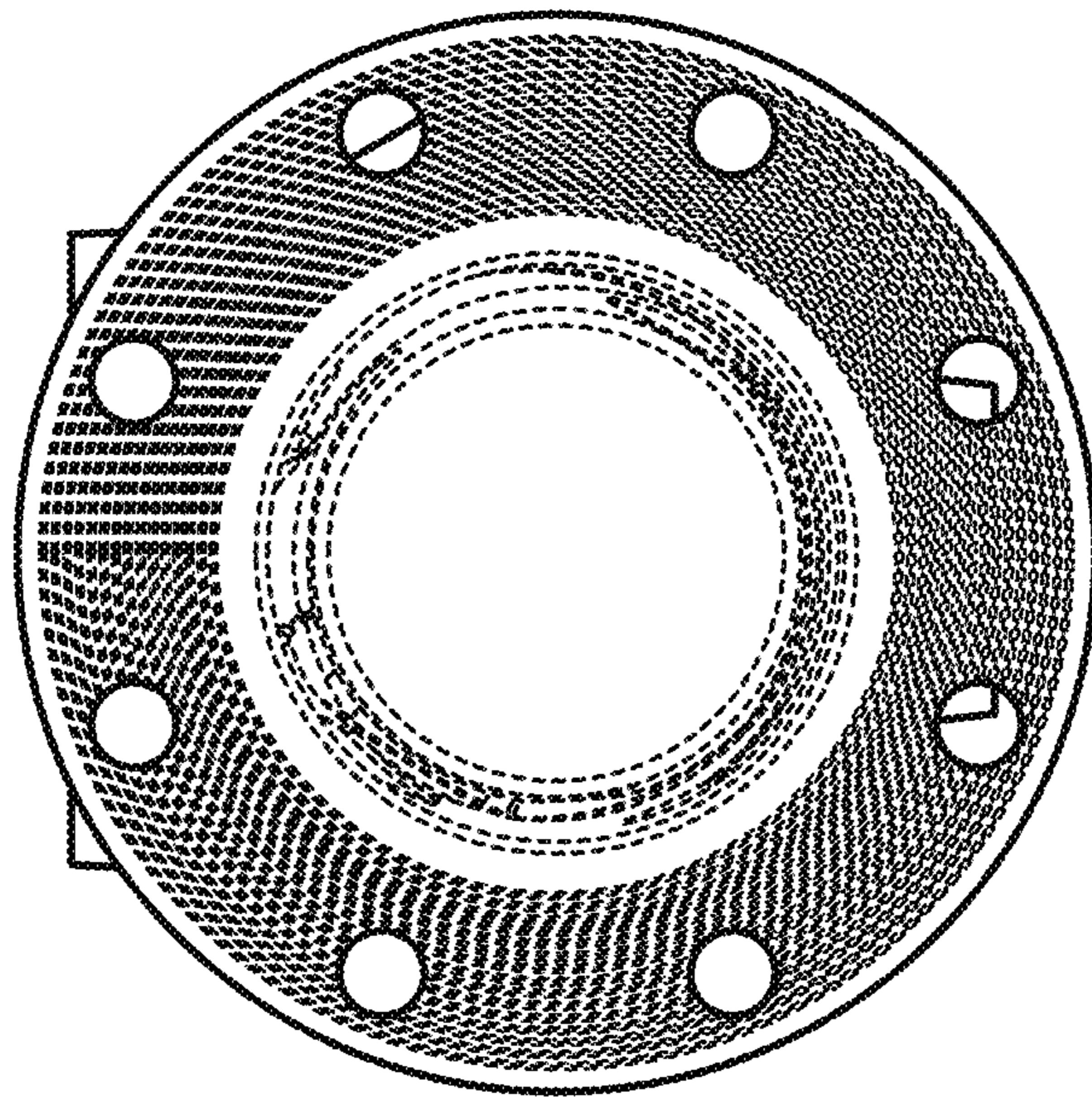


FIG. 5



**FIG. 6**



**FIG. 7**