



US00D769414S

(12) **United States Design Patent**
Roden et al.

(10) **Patent No.:** **US D769,414 S**

(45) **Date of Patent:** **** Oct. 18, 2016**

- (54) **PROTECTIVE COATINGS SPRAYER**
- (71) Applicant: **Graco Minnesota Inc.**, Minneapolis, MN (US)
- (72) Inventors: **Joshua D. Roden**, Blaine, MN (US); **Roman S. Kopylov**, Prior Lake, MN (US); **Brian R. Hendrickson**, Minneapolis, MN (US); **Andrew M. Spiess**, Forest Lake, MN (US)
- (73) Assignee: **Graco Minnesota Inc.**, Minneapolis, MN (US)
- (**) Term: **15 Years**
- (21) Appl. No.: **29/533,673**
- (22) Filed: **Jul. 21, 2015**
- (51) **LOC (10) Cl.** **23-01**
- (52) **U.S. Cl.**
USPC **D23/225**
- (58) **Field of Classification Search**
USPC D23/213, 225; D15/22, 26; 239/146, 239/147, 150; 280/47.17
CPC B05B 9/007
See application file for complete search history.

- 8,371,592 B2 * 2/2013 Feitel B05B 9/007 248/139
- 8,602,323 B2 * 12/2013 Bearup B62B 1/12 239/146
- 9,033,258 B2 * 5/2015 Schwab B08B 3/026 239/146
- D734,832 S * 7/2015 Velgersdyk D23/225
- D746,408 S * 12/2015 Benson D15/13

OTHER PUBLICATIONS

Graco's "M680 Mortar Pump" brochure published Oct. 2013, see pp. No. 3 and 5.
Graco's "GH Big Rig Sprayers" brochure published Date, see GH 933 Sprayer on p. No. 13.

* cited by examiner

Primary Examiner — Robin V Webster

(74) *Attorney, Agent, or Firm* — Douglas B. Farrow

(57) **CLAIM**

The ornamental design for a protective coatings sprayer, as shown and described.

DESCRIPTION

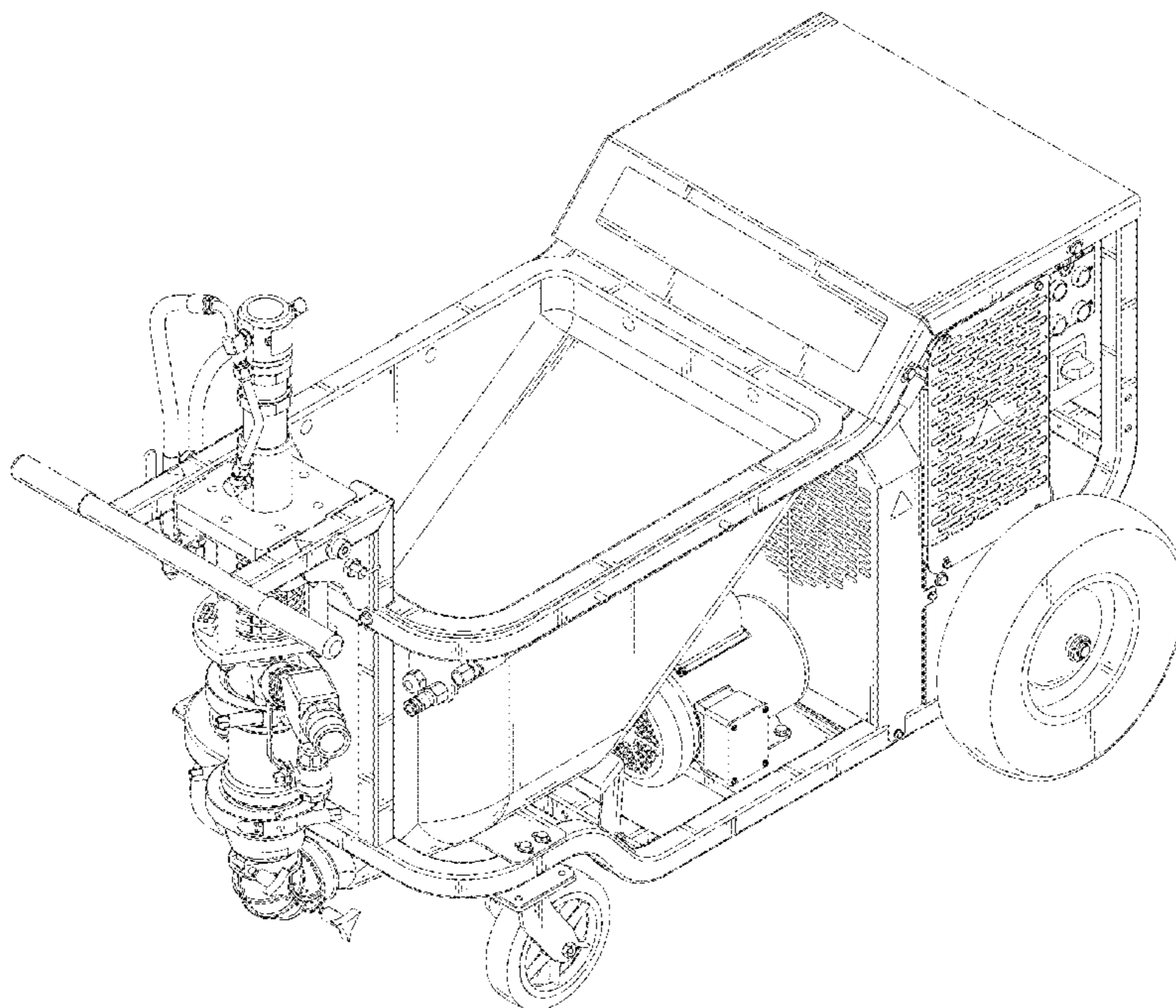
FIG. 1 is a front right isometric view of a protective coatings sprayer;
FIG. 2 is a front left isometric view thereof;
FIG. 3 is a front view thereof;
FIG. 4 is a left view thereof;
FIG. 5 is a rear view thereof;
FIG. 6 is a right side view thereof;
FIG. 7 is a top view thereof; and,
FIG. 8 is a bottom view of a protective coatings sprayer.

1 Claim, 8 Drawing Sheets

(56) **References Cited**

U.S. PATENT DOCUMENTS

- 6,070,808 A * 6/2000 Kildow A01M 7/0035 239/146
- D572,795 S * 7/2008 Kieffer D23/225
- D616,064 S * 5/2010 Mattson D23/225
- 7,980,487 B2 * 7/2011 Mirazita B05B 7/0093 239/146



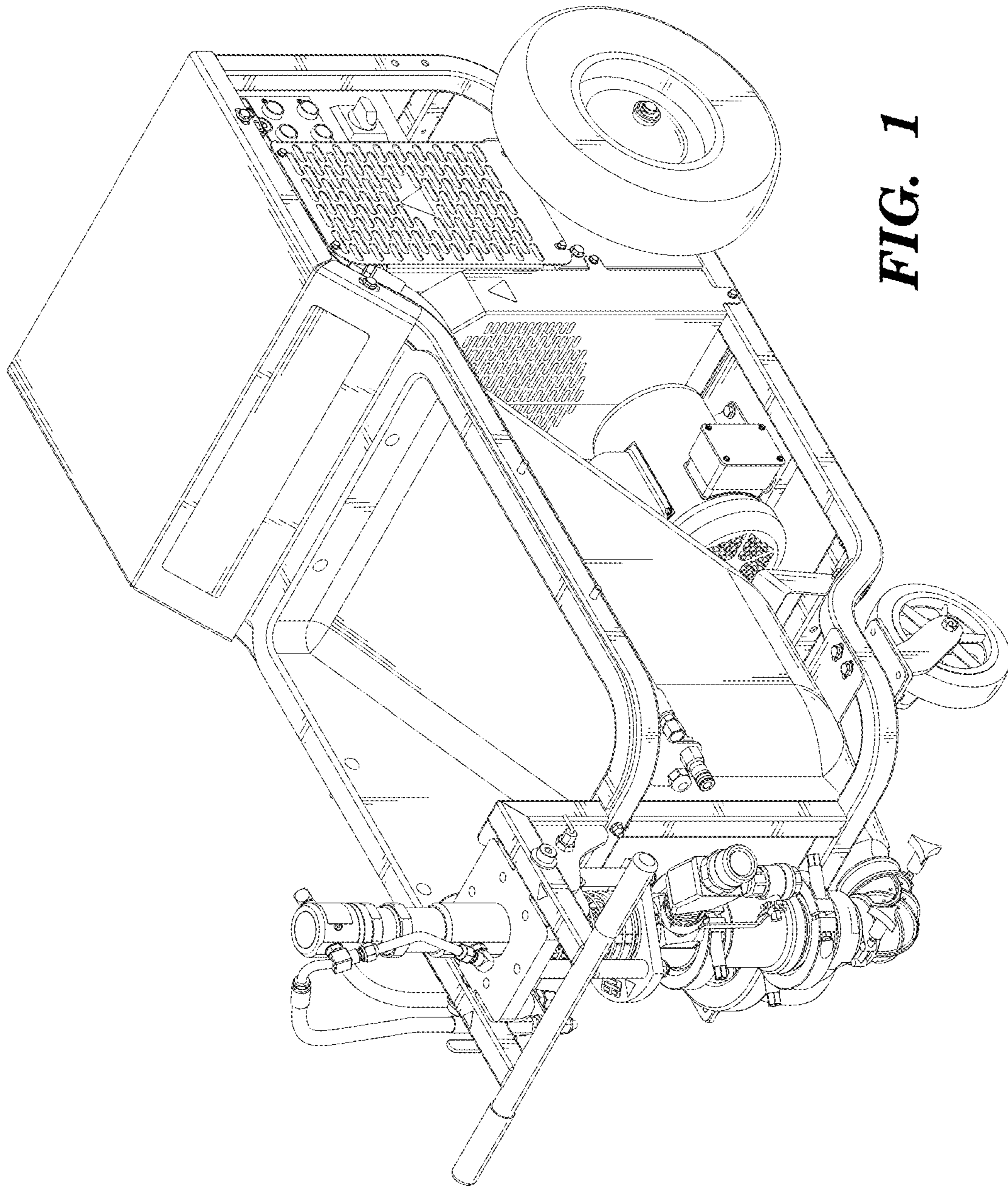


FIG. 1

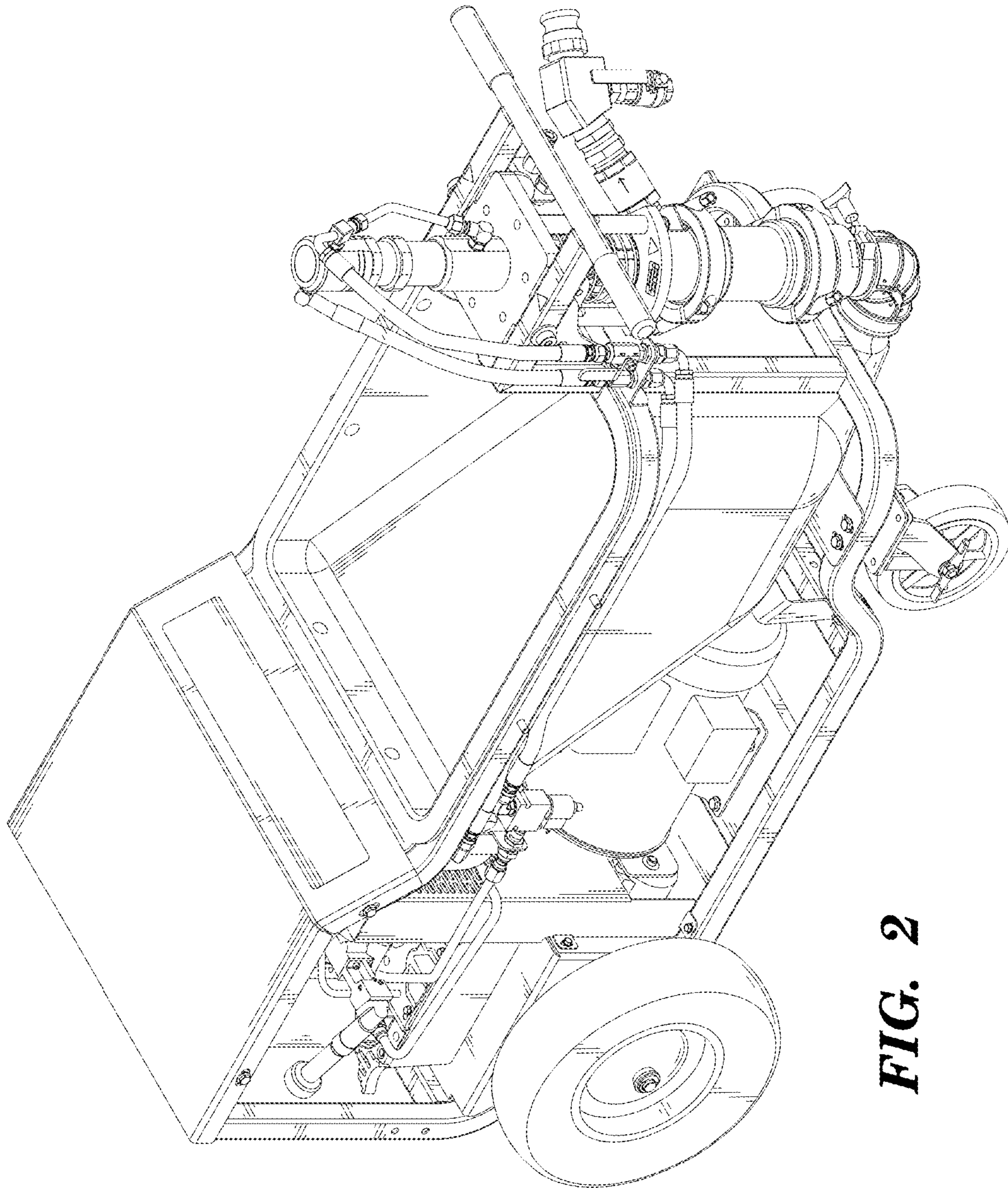


FIG. 2

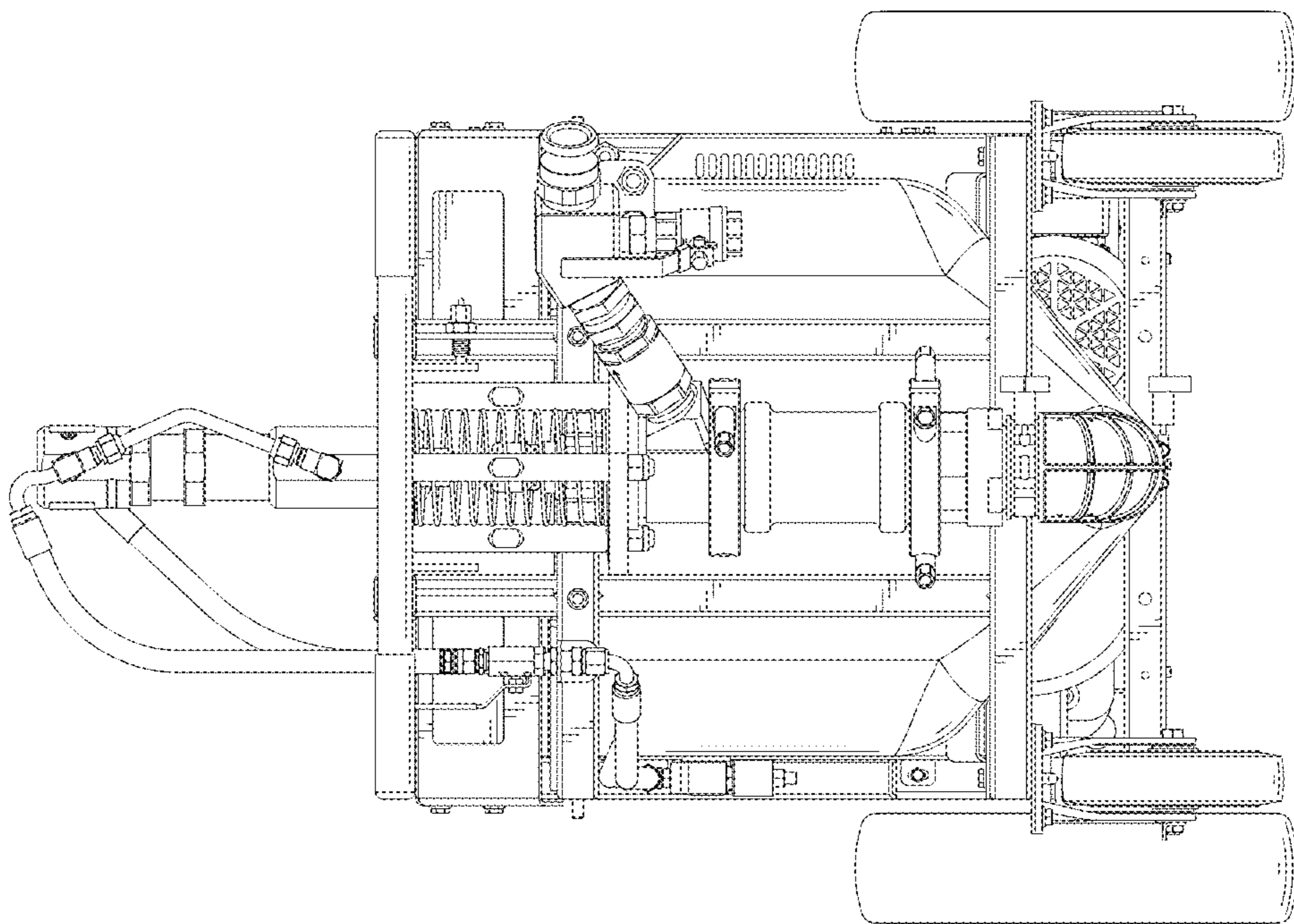


FIG. 3

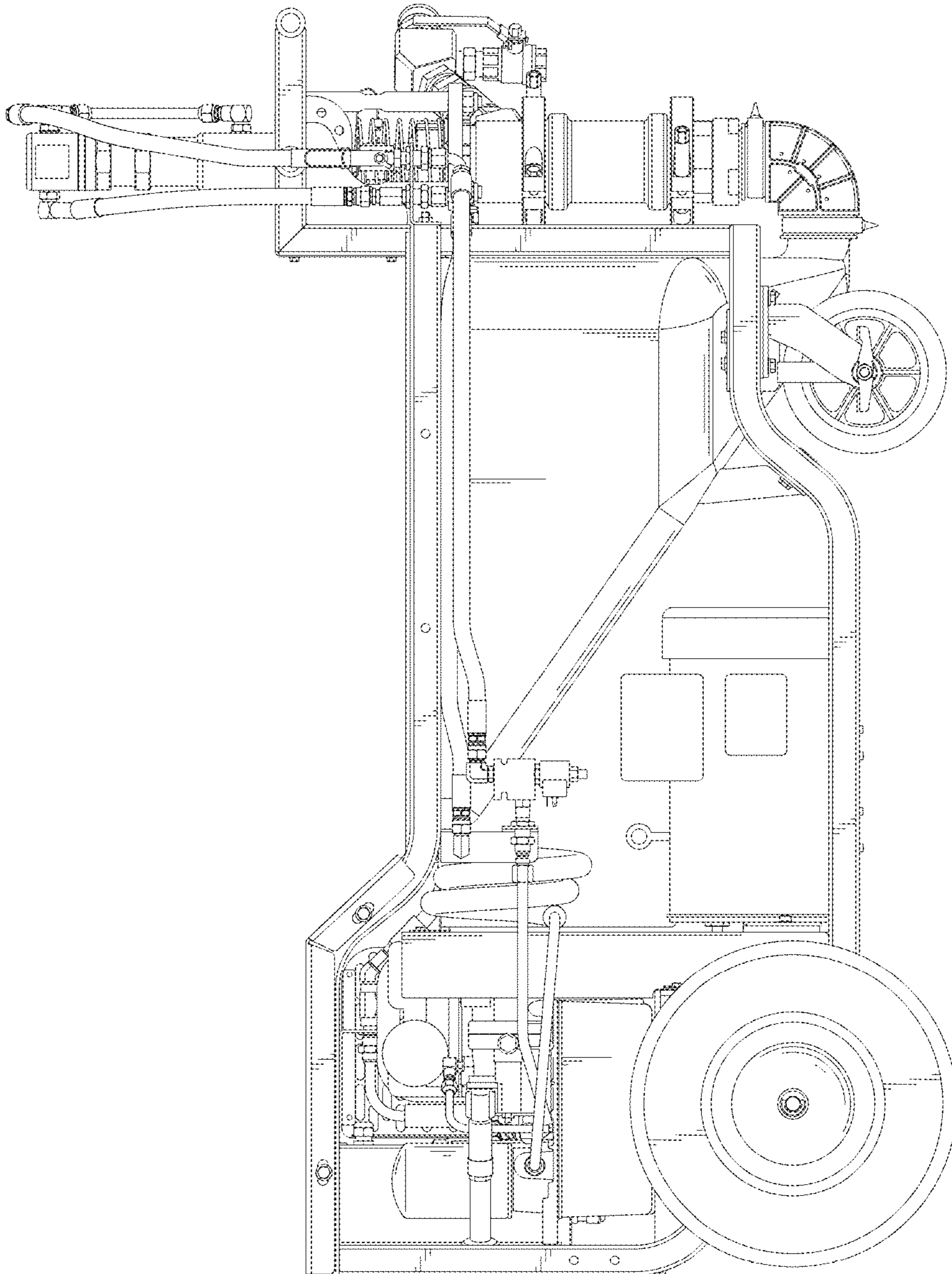


FIG. 4

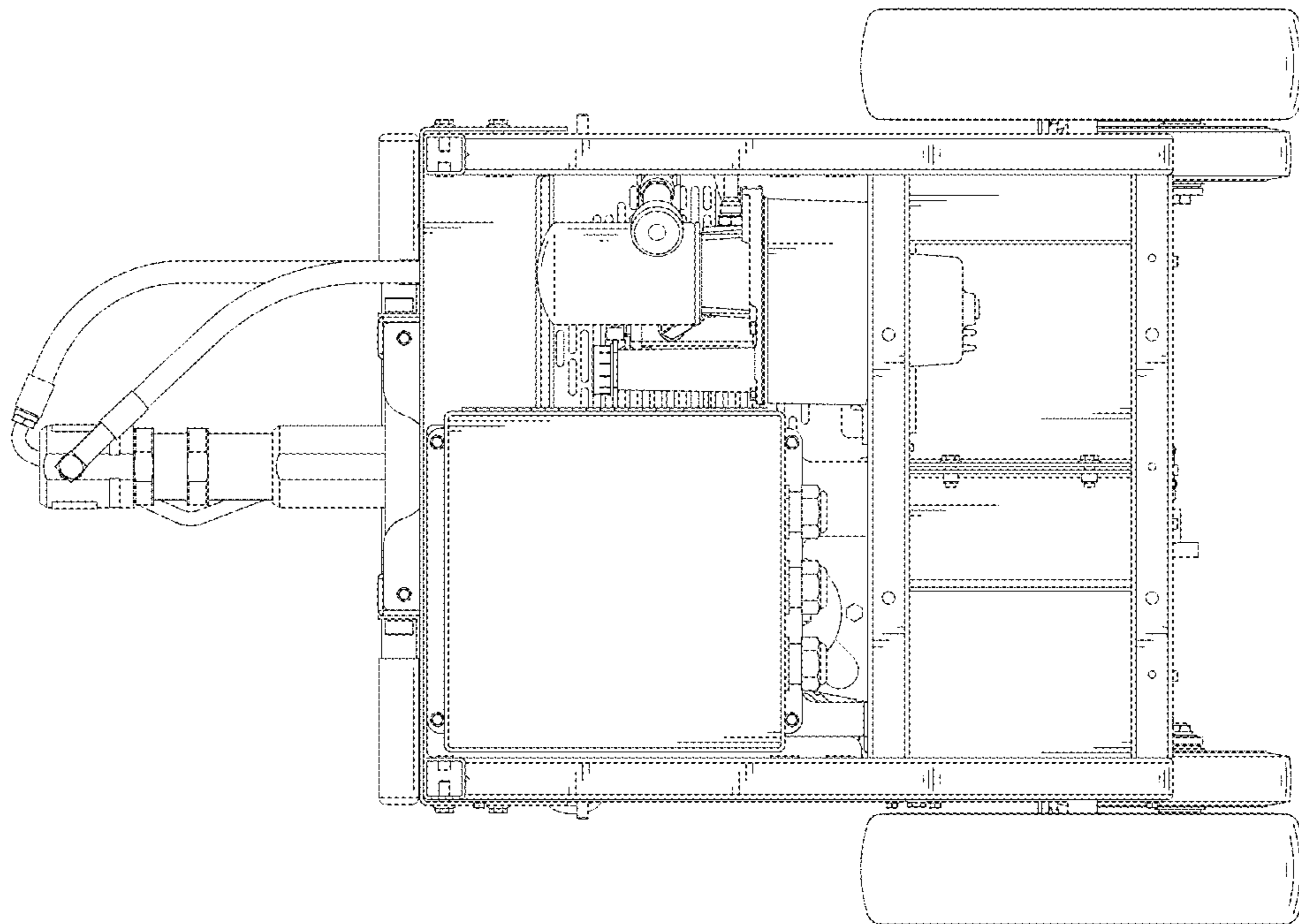


FIG. 5

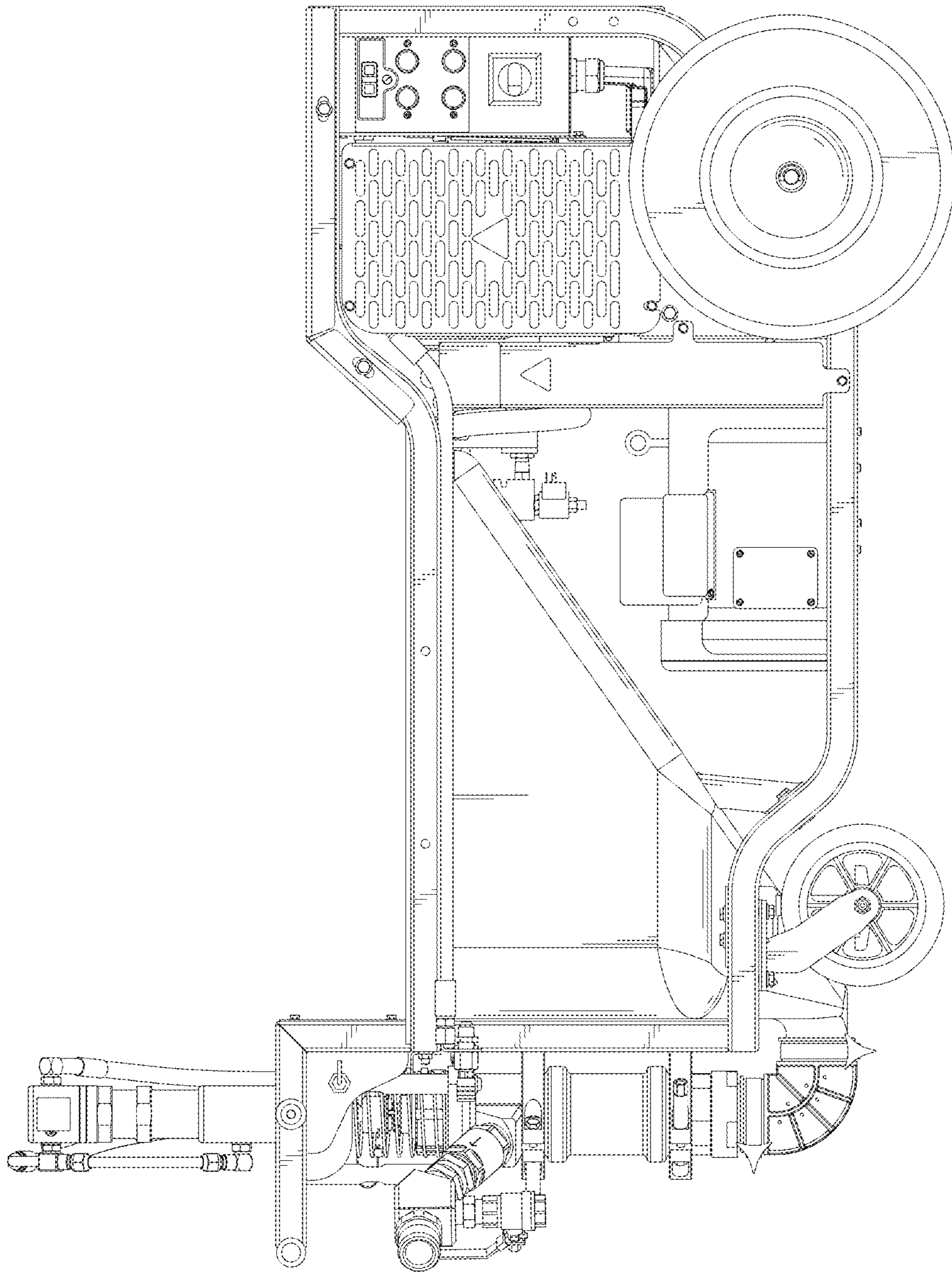


FIG. 6

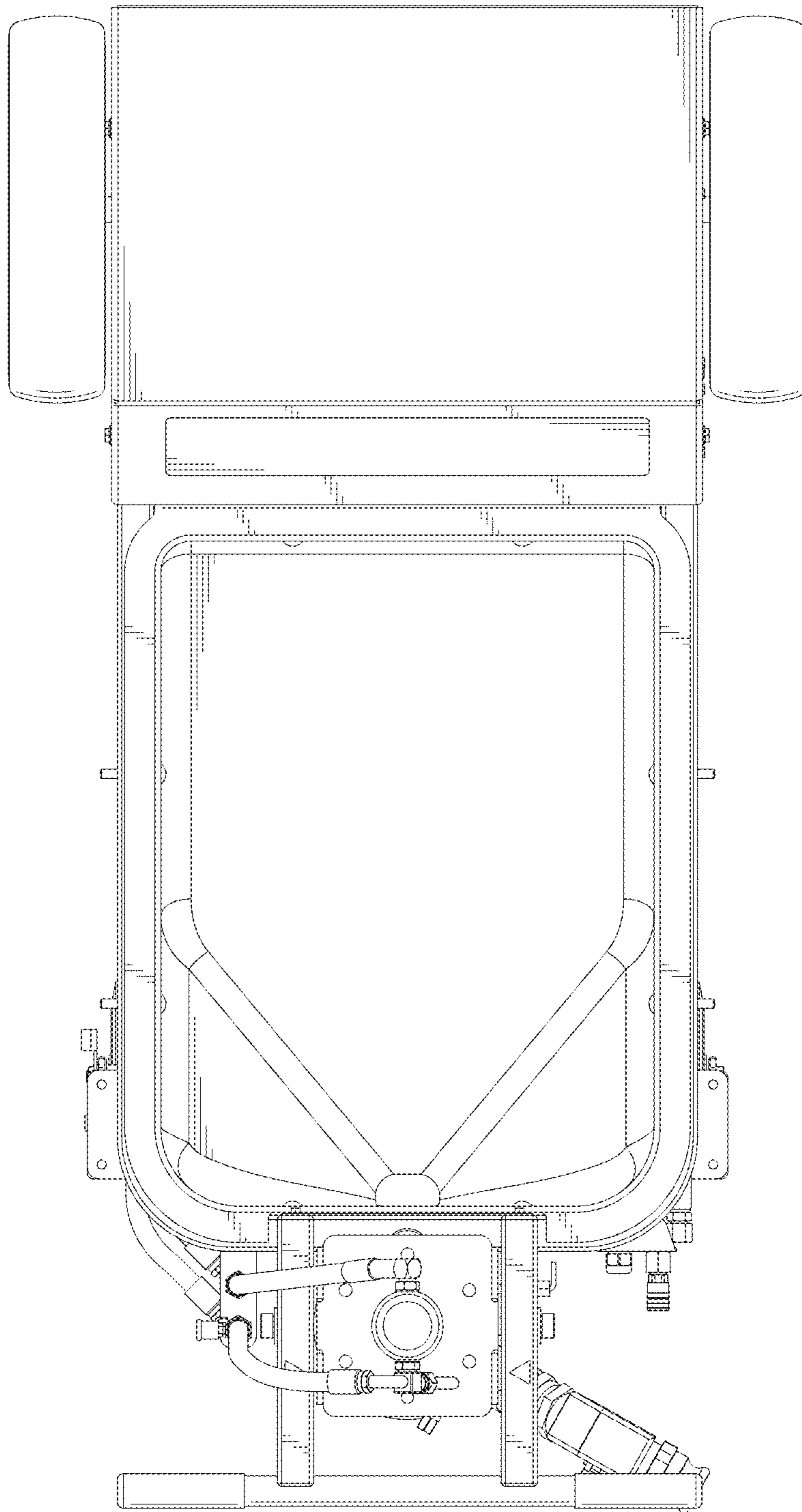


FIG. 7

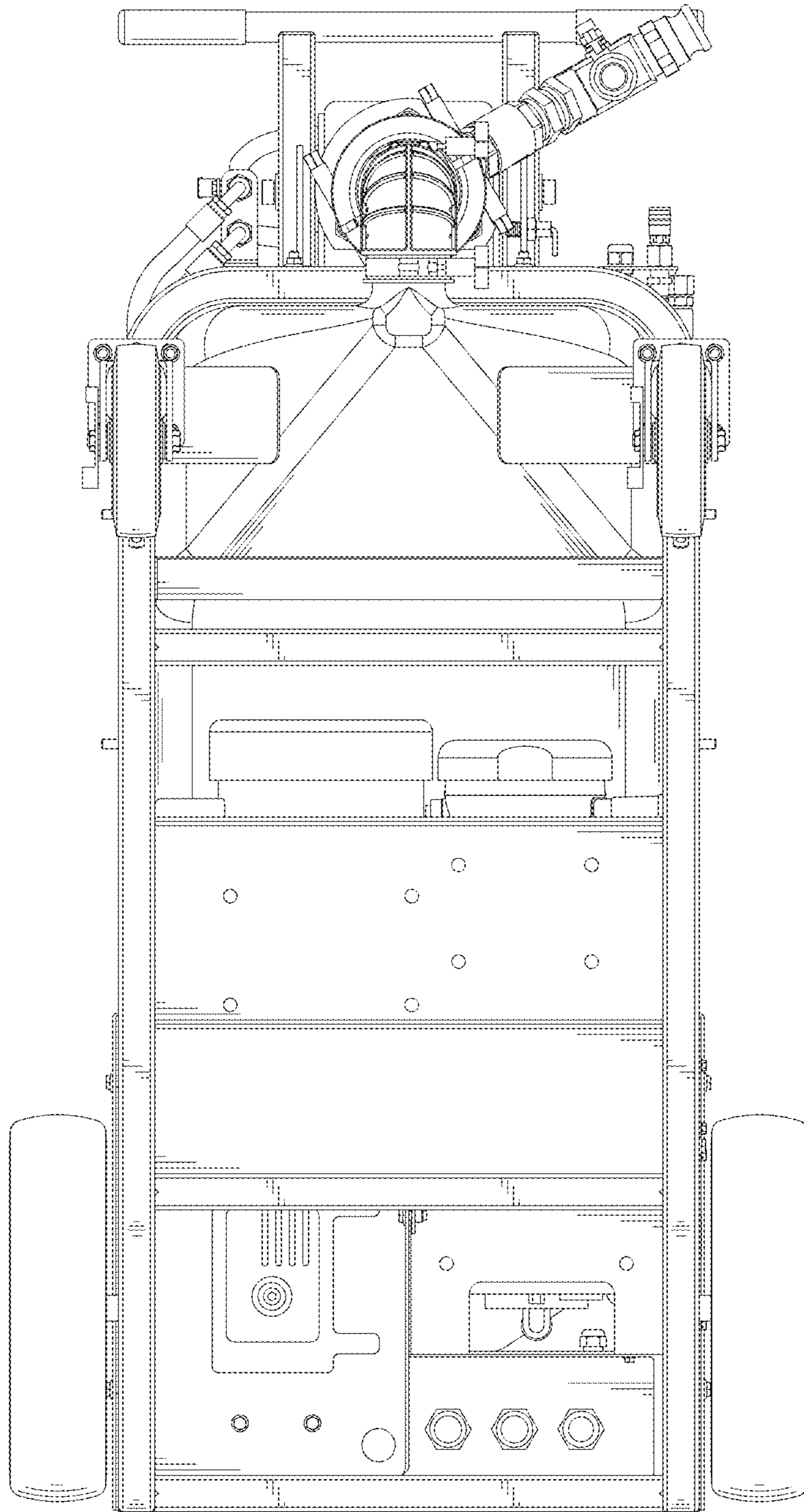


FIG. 8