



US00D769412S

(12) **United States Design Patent**
Henshaw et al.

(10) **Patent No.:** **US D769,412 S**
(45) **Date of Patent:** **** Oct. 18, 2016**

(54) **SPRAYER WITH WAND**

(71) Applicant: **BAYER CROPSCIENCE LP**,
Research Triangle Park, NC (US)

(72) Inventors: **Valerie M. Henshaw**, Cary, NC (US);
Kenneth Krause, Wake Forest, NC (US)

(73) Assignee: **BAYER CROPSCIENCE LP**,
Research Triangle Park, NC (US)

(**) Term: **15 Years**

(21) Appl. No.: **29/535,269**

(22) Filed: **Aug. 5, 2015**

(51) **LOC (10) Cl.** **23-01**

(52) **U.S. Cl.**
USPC **D23/223**

(58) **Field of Classification Search**
USPC D23/213, 223, 226; 239/526, 532
CPC B05B 9/01; B05B 15/061
See application file for complete search history.

(56) **References Cited**

U.S. PATENT DOCUMENTS

D270,560 S *	9/1983	Clivio	D23/226
D353,874 S *	12/1994	Clivio	D23/213
D358,195 S *	5/1995	Tsai	D23/213
7,677,476 B2 *	3/2010	Burdsall	B05B 9/01 239/525
D641,830 S *	7/2011	Alexander	D23/213
D670,982 S	11/2012	Goodwin et al.	
D682,988 S *	5/2013	Hobbs	D23/223
8,640,979 B2 *	2/2014	Wu	B05B 9/0816 239/526
D729,902 S *	5/2015	Hollinger	D23/223
D754,285 S *	4/2016	Helton	D23/223
2012/0223160 A1	9/2012	Goodwin et al.	

* cited by examiner

Primary Examiner — Robin V Webster
(74) *Attorney, Agent, or Firm* — McBee Moore
Woodward and Vanik IP, LLC

(57) **CLAIM**

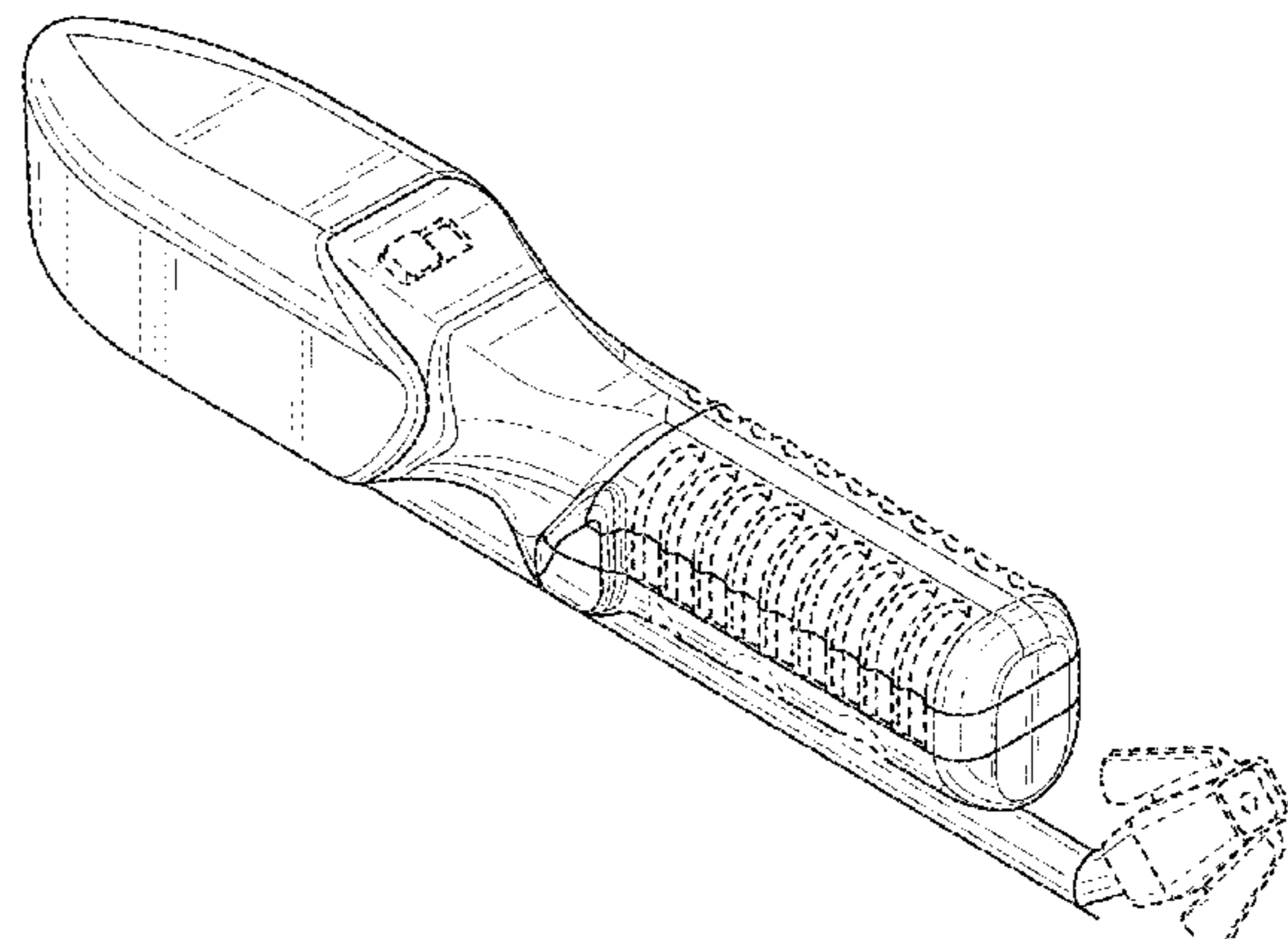
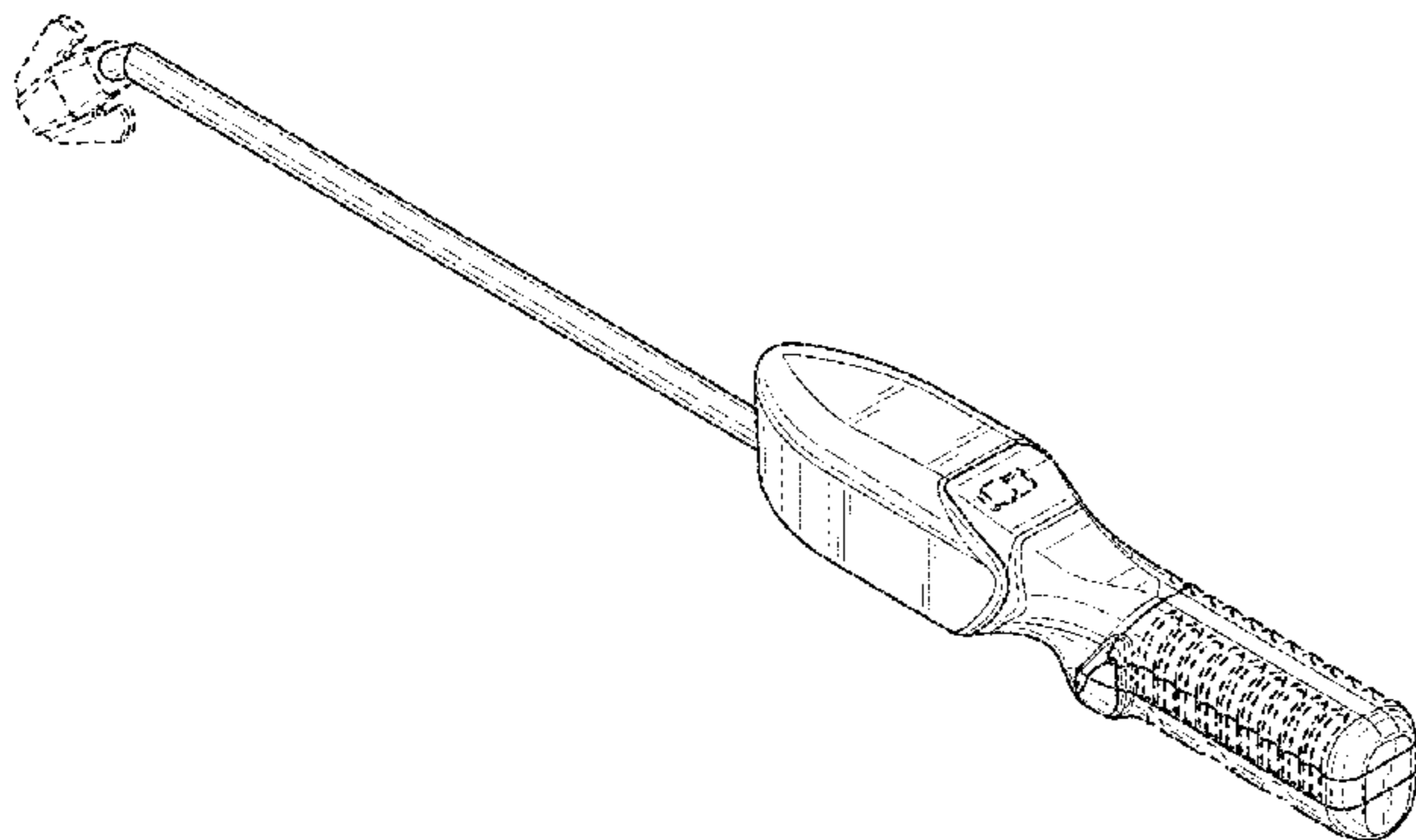
The ornamental design for a sprayer with wand, as shown and described.

DESCRIPTION

FIG. 1 is a top perspective view of the sprayer with wand when the wand is unfolded, showing the new design;
 FIG. 2 is a front elevational view of the sprayer with wand when the wand is unfolded;
 FIG. 3 is a rear elevational view of the sprayer with wand when the wand is unfolded;
 FIG. 4 is a side elevational view of the sprayer with wand when the wand is unfolded;
 FIG. 5 is another side elevational view of the sprayer with wand when the wand is unfolded;
 FIG. 6 is a top plan view of the sprayer with wand when the wand is unfolded;
 FIG. 7 is a bottom plan view of the sprayer with wand when the wand is unfolded;
 FIG. 8 is a top perspective view of the sprayer with wand when the wand is folded, showing the new design;
 FIG. 9 is a front elevational view of the sprayer with wand when the wand is folded;
 FIG. 10 is a rear elevational view of the sprayer with wand when the wand is folded;
 FIG. 11 is a side elevational view of the sprayer with wand when the wand is folded;
 FIG. 12 is another side elevational view of the sprayer with wand when the wand is folded;
 FIG. 13 is a top plan view of the sprayer with wand when the wand is folded; and,
 FIG. 14 is a bottom plan view of the sprayer with wand when the wand is folded.

The broken lines are included for the purpose of illustrating unclaimed portions of the sprayer with wand and form no part of the claimed design.

1 Claim, 10 Drawing Sheets



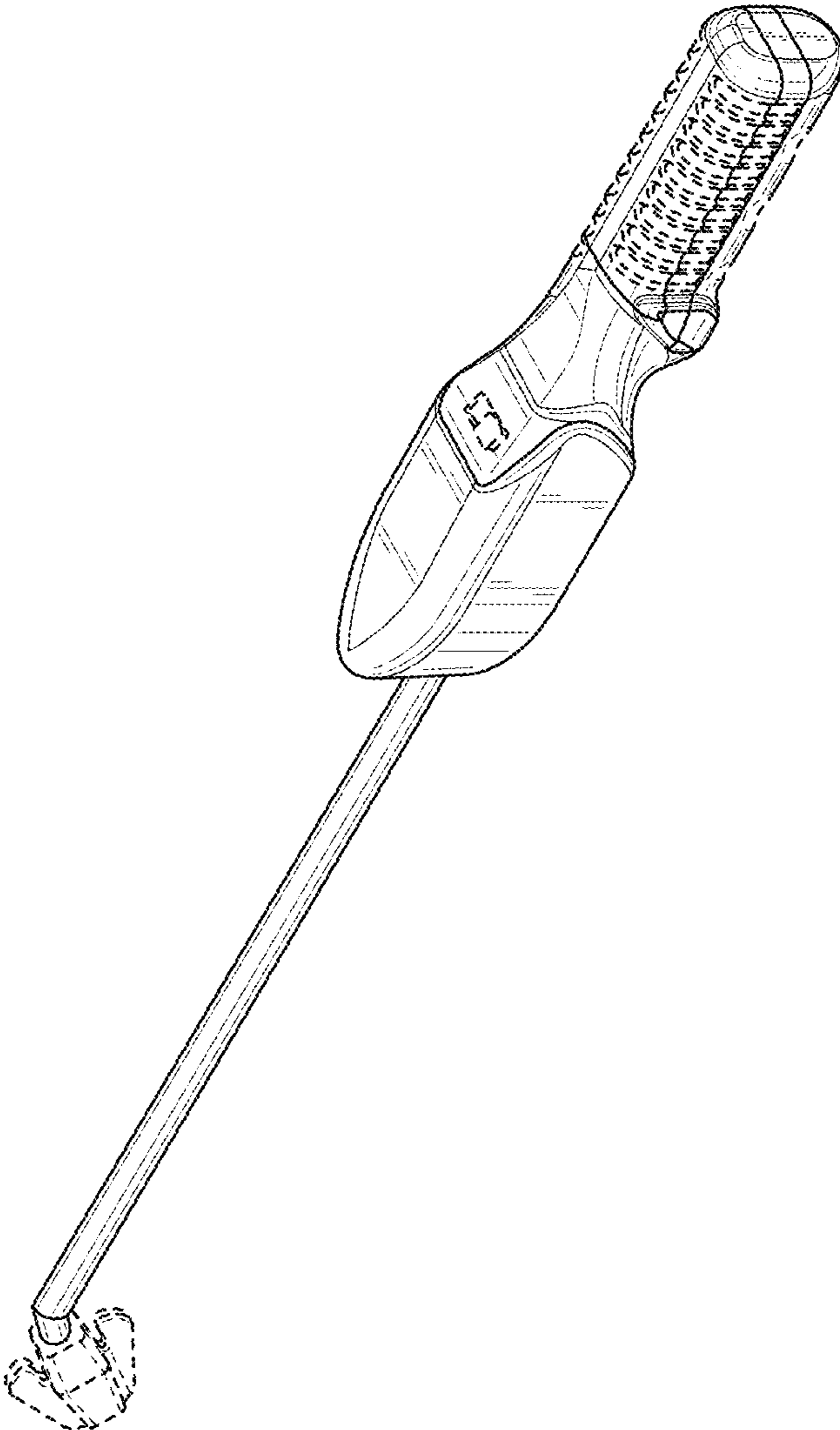


FIG. 1

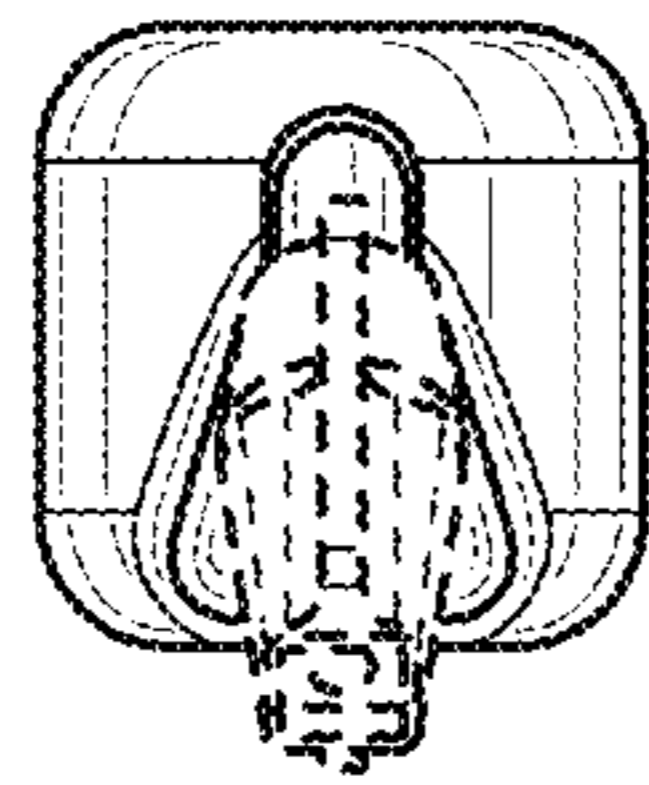


FIG. 2

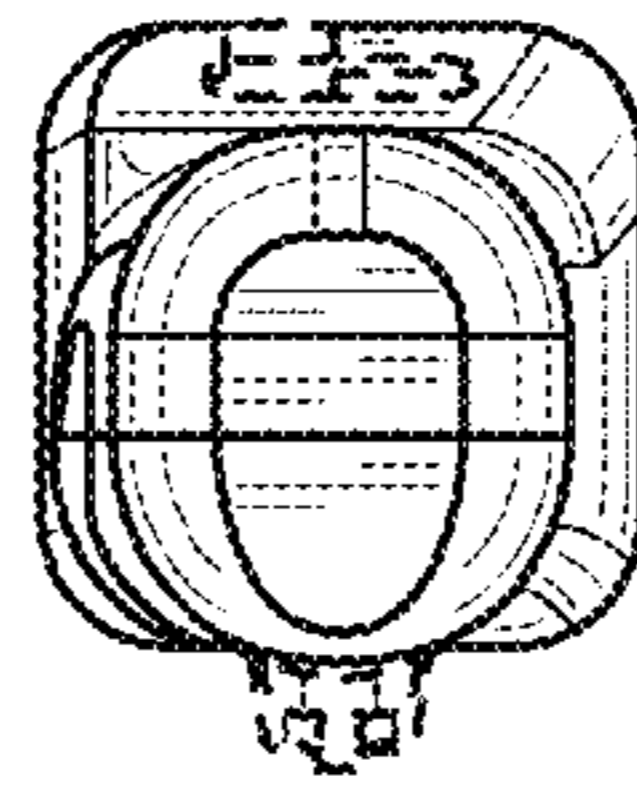


FIG. 3

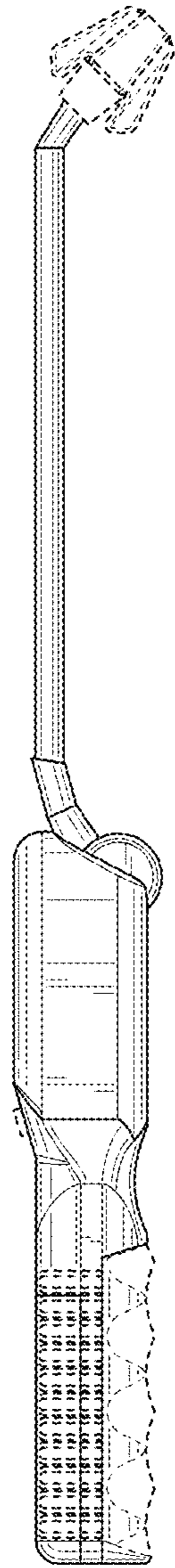


FIG. 4

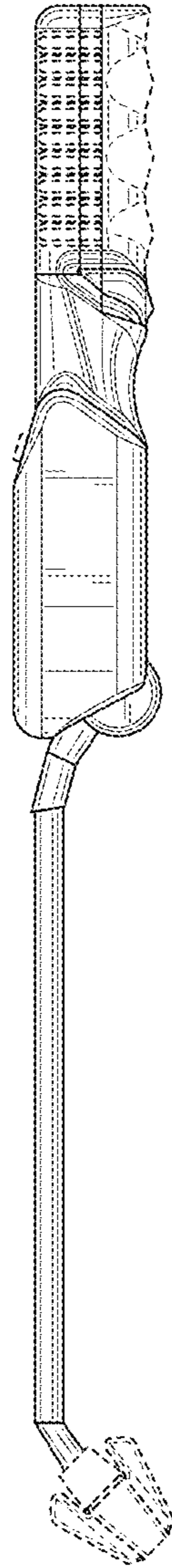


FIG. 5

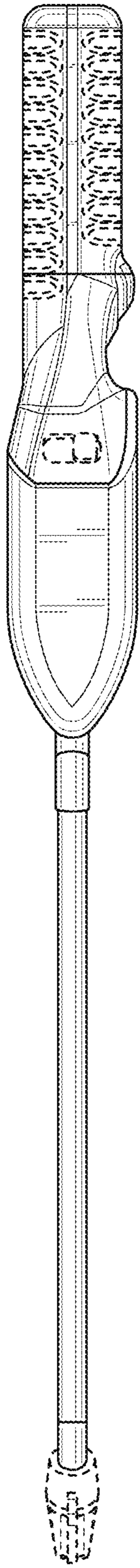


FIG. 6

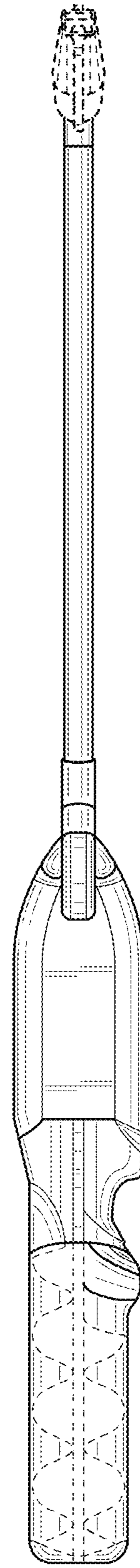


FIG. 7

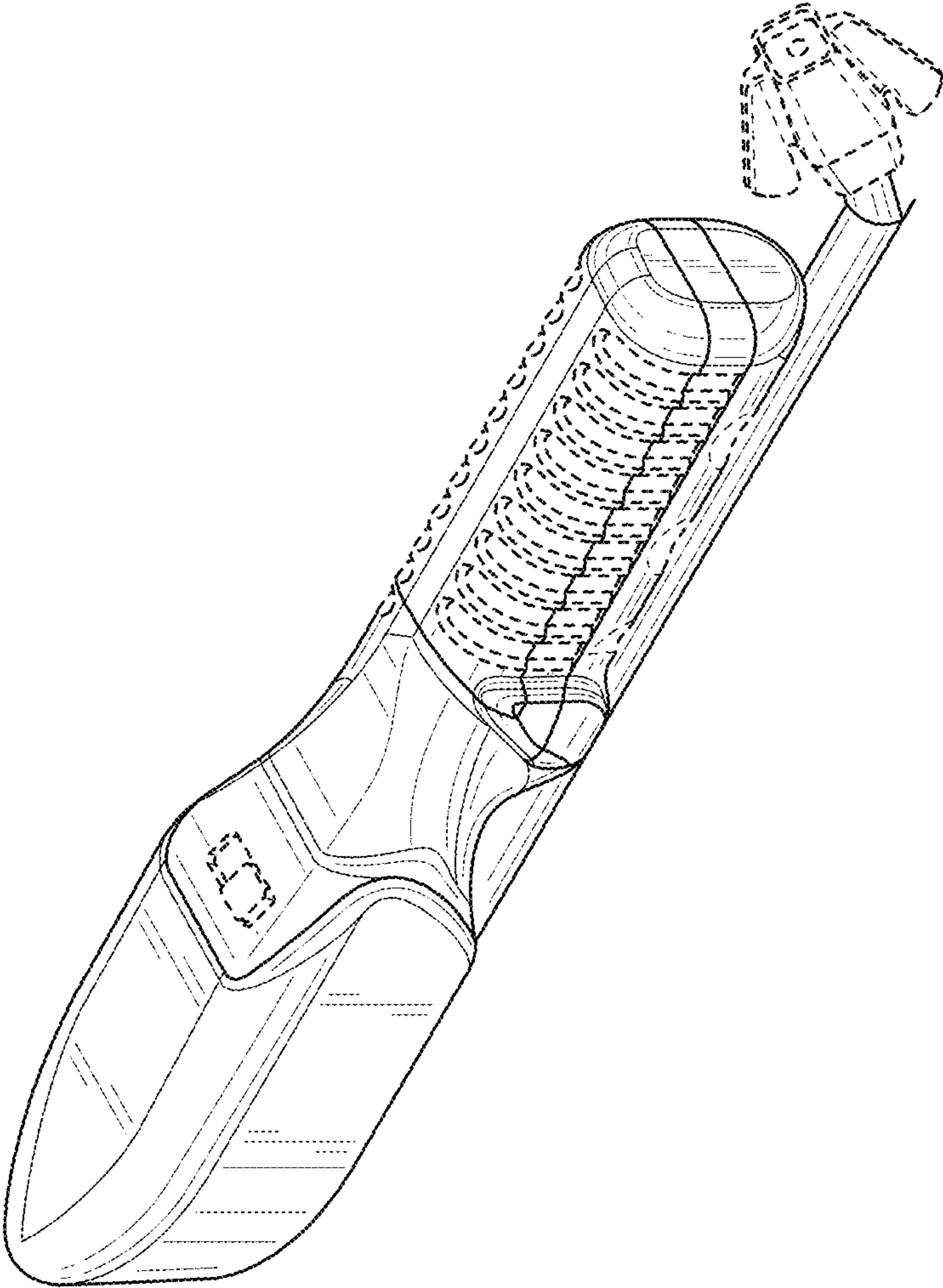


FIG. 8

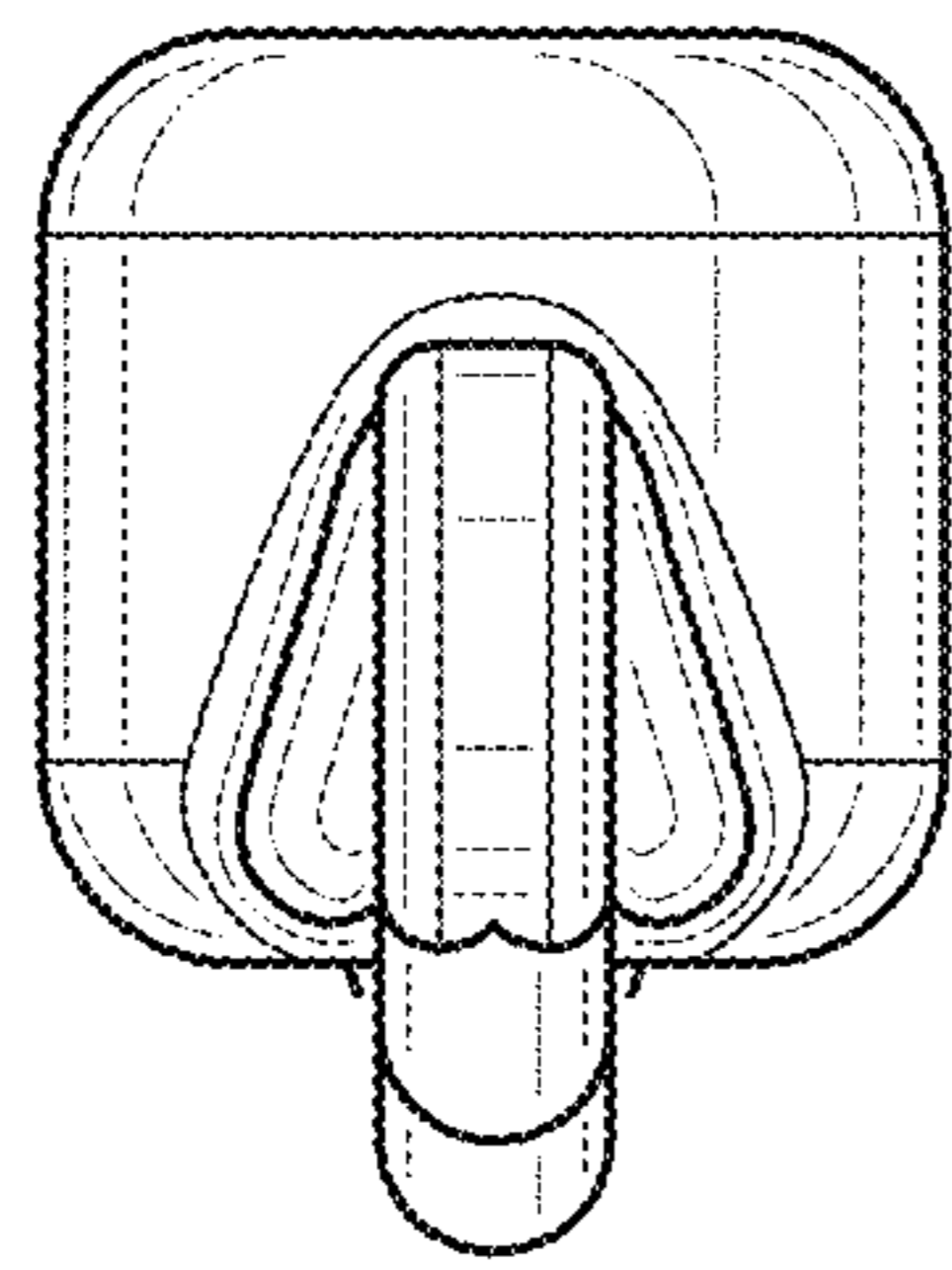


FIG. 9

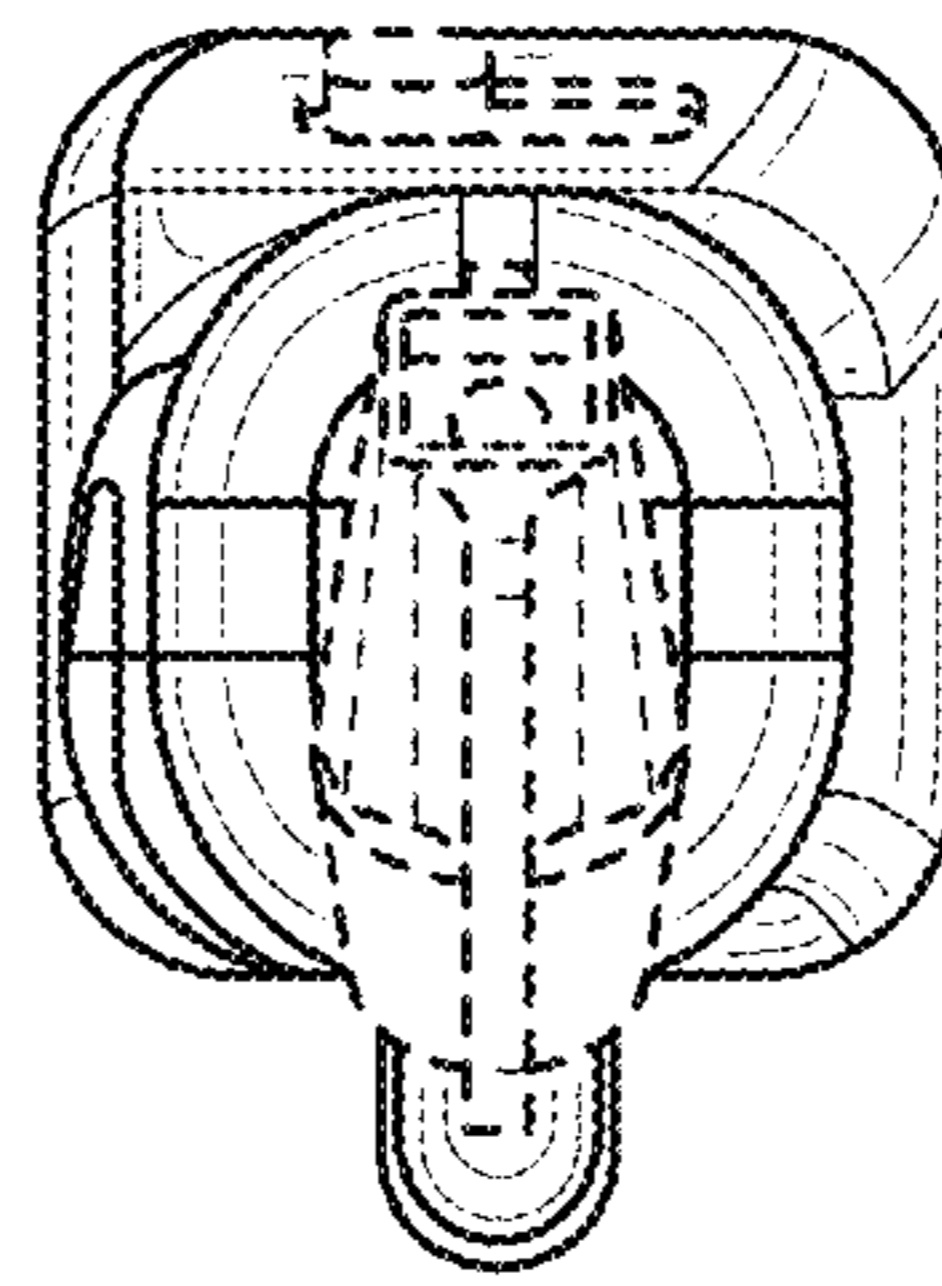


FIG. 10

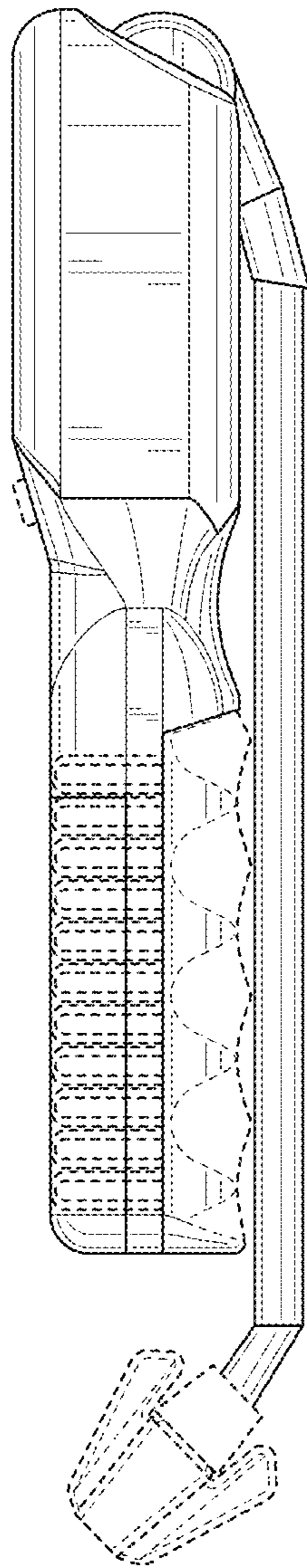


FIG. 11

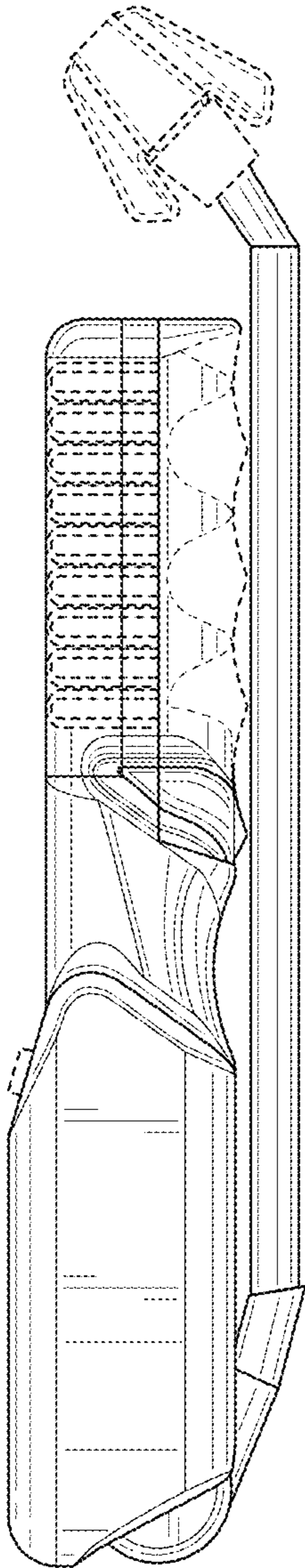


FIG. 12

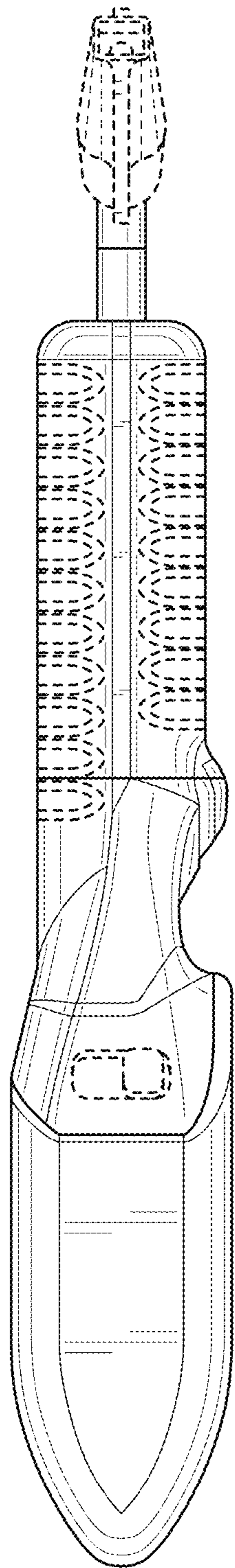


FIG. 13

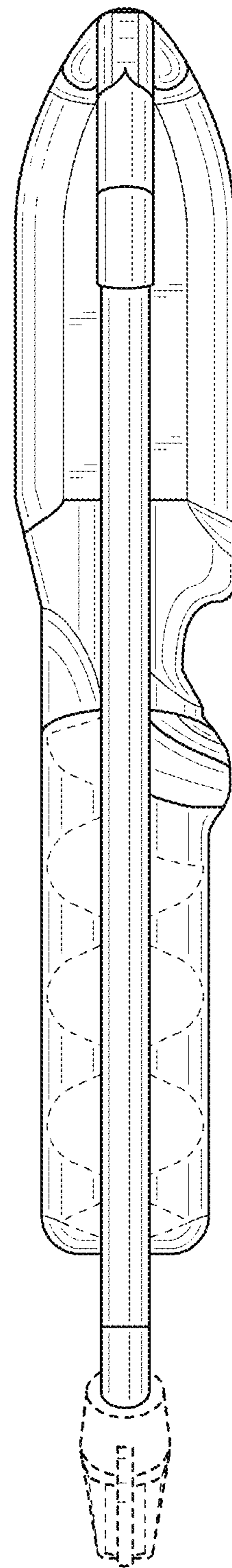


FIG. 14