



US00D769411S

(12) **United States Design Patent** (10) **Patent No.:** **US D769,411 S**
Stowers et al. (45) **Date of Patent:** **** Oct. 18, 2016**

(54) **SPRINKLER**

(71) Applicant: **E. Mishan & Sons, Inc.**, New York, NY (US)

(72) Inventors: **David Stowers**, Morristown, NJ (US);
Isaac Mishan, New York, NY (US)

(73) Assignee: **E. Mishan & Sons, Inc.**, New York, NY (US)

(**) Term: **15 Years**

(21) Appl. No.: **29/556,502**

(22) Filed: **Mar. 1, 2016**

Related U.S. Application Data

(62) Division of application No. 29/520,137, filed on Mar. 11, 2015, now Pat. No. Des. 754,284.

(51) **LOC (10) Cl.** **23-01**

(52) **U.S. Cl.**
USPC **D23/216**

(58) **Field of Classification Search**
USPC D23/213, 214, 216, 217, 221; 239/200,
239/273, 276, 240-242
CPC B05B 15/062; B05B 12/12; B05B 3/044;
B05B 15/063

See application file for complete search history.

(56) **References Cited**

U.S. PATENT DOCUMENTS

D221,336 S *	8/1971	Raffler et al.	D23/216
D234,765 S *	4/1975	Raffler et al.	D23/216
D329,489 S *	9/1992	Best	D23/216
D334,422 S *	3/1993	Clivio	D23/216
5,562,247 A *	10/1996	Roman	B05B 3/044 239/240
D470,218 S *	2/2003	Alkalay	D23/216

* cited by examiner

Primary Examiner — Robin V Webster

(74) *Attorney, Agent, or Firm* — Notaro, Michalos & Zaccaria P.C.

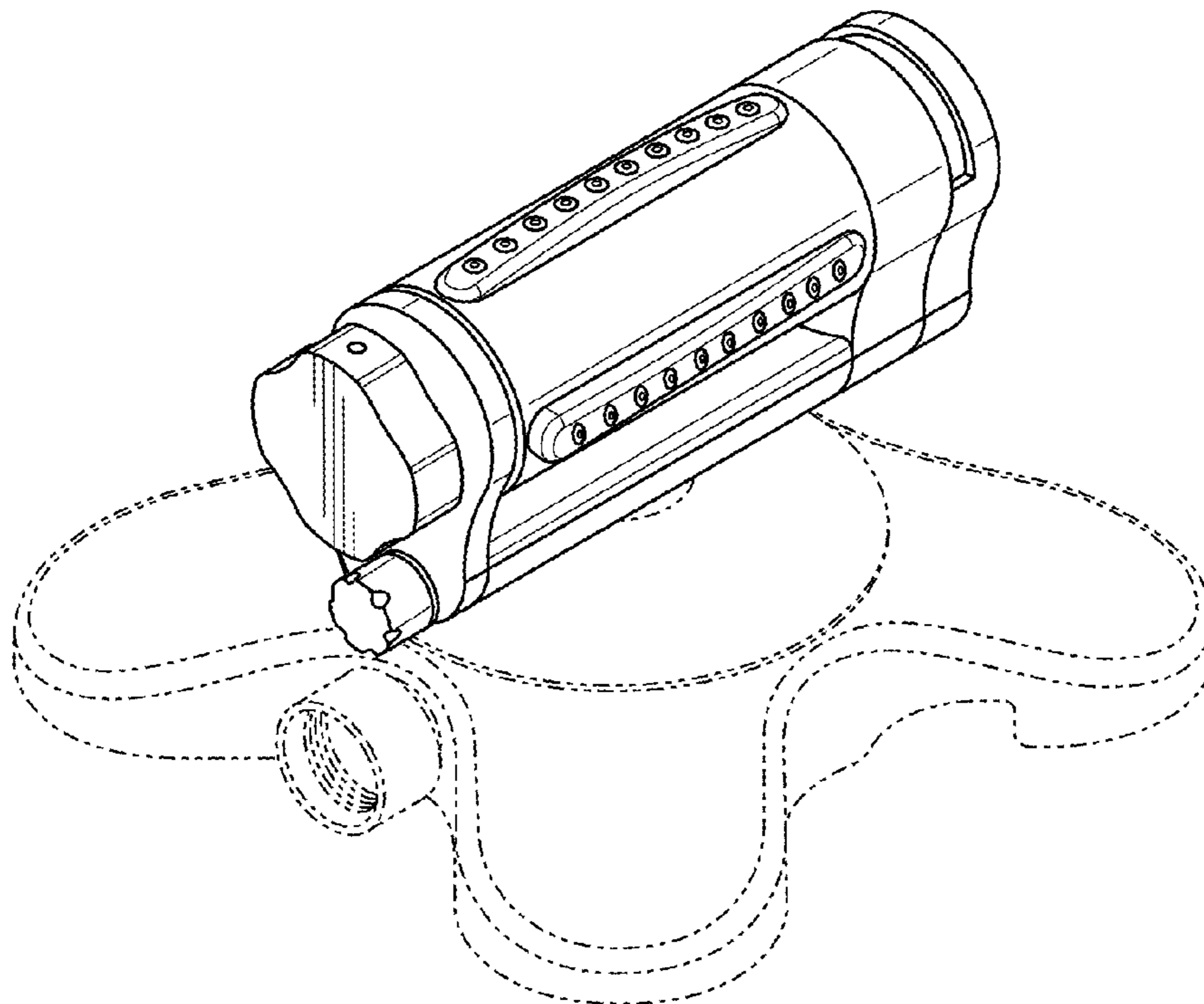
(57) **CLAIM**

The ornamental design for a sprinkler, as shown and described.

DESCRIPTION

FIG. 1 is a front, right perspective view of a sprinkler showing my/our design therefor;
 FIG. 2 is a bottom, rear, left perspective view thereof;
 FIG. 3 is a right side elevational view thereof;
 FIG. 4 is a left side elevational view thereof;
 FIG. 5 is a rear elevational view thereof;
 FIG. 6 is a front elevational view thereof;
 FIG. 7 is a top plan view thereof; and,
 FIG. 8 bottom plan view thereof.
 Throughout the drawings, the areas shown in broken lines form no part of the claimed design.

1 Claim, 8 Drawing Sheets



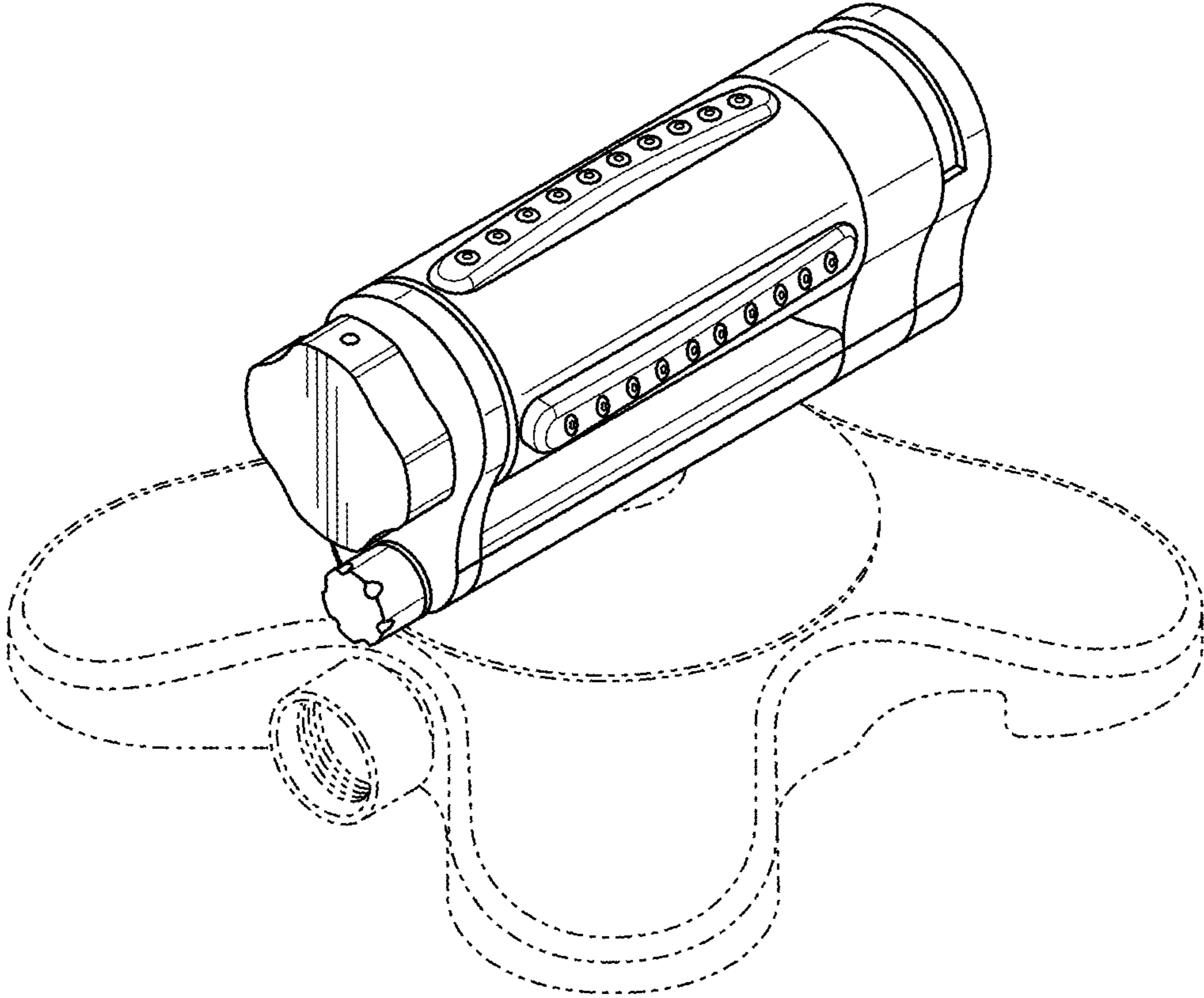


FIG. 1

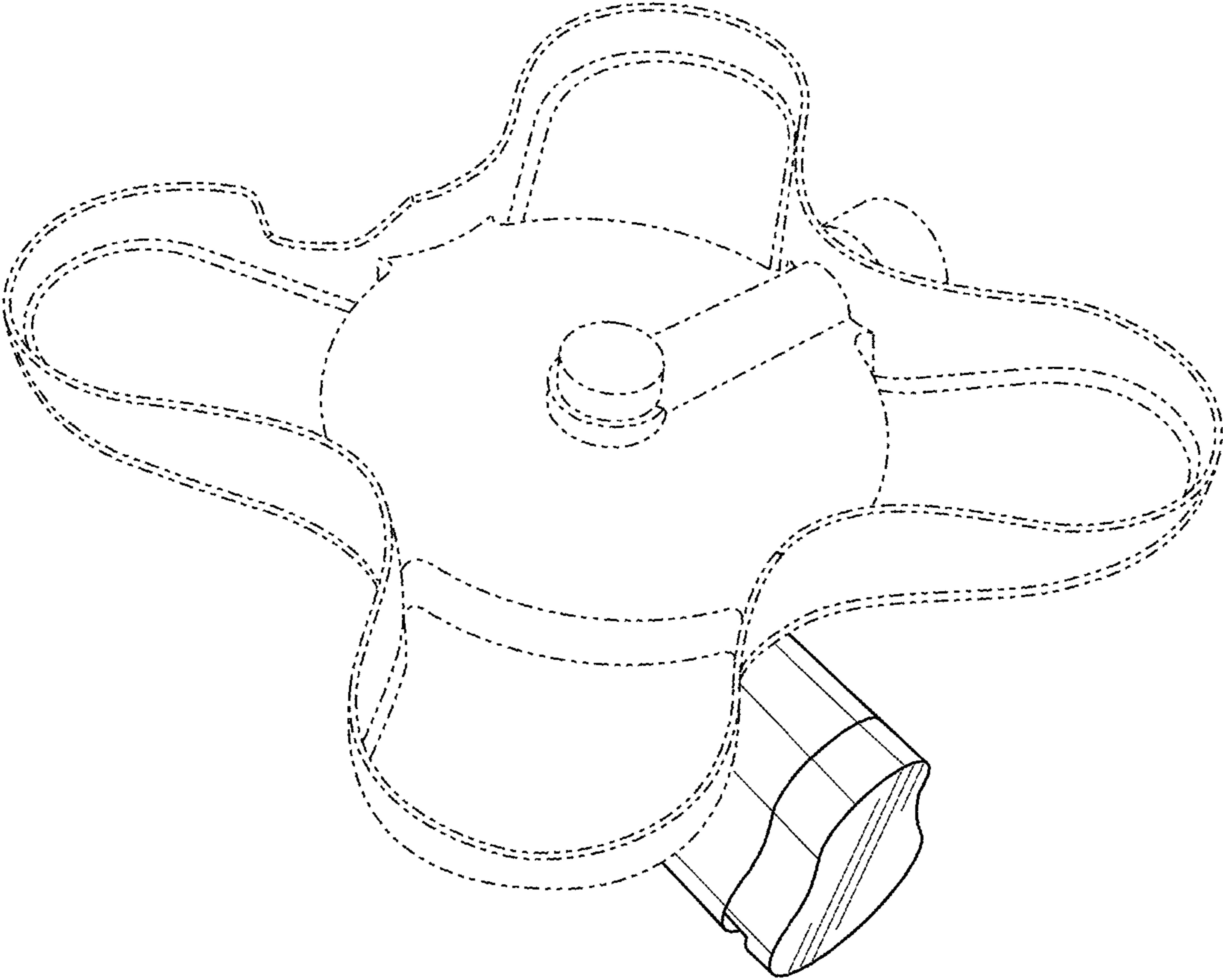


FIG. 2

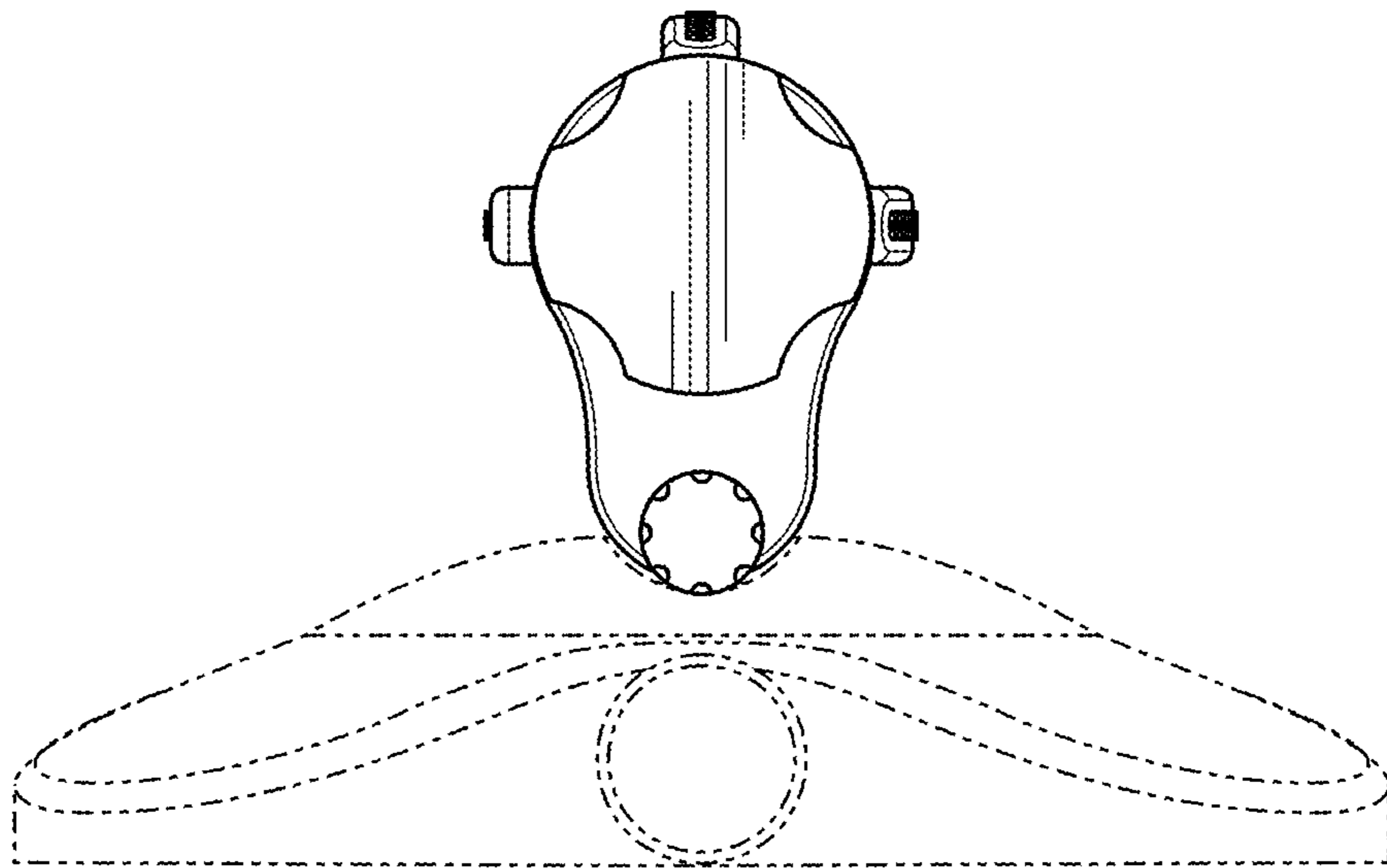


FIG. 3

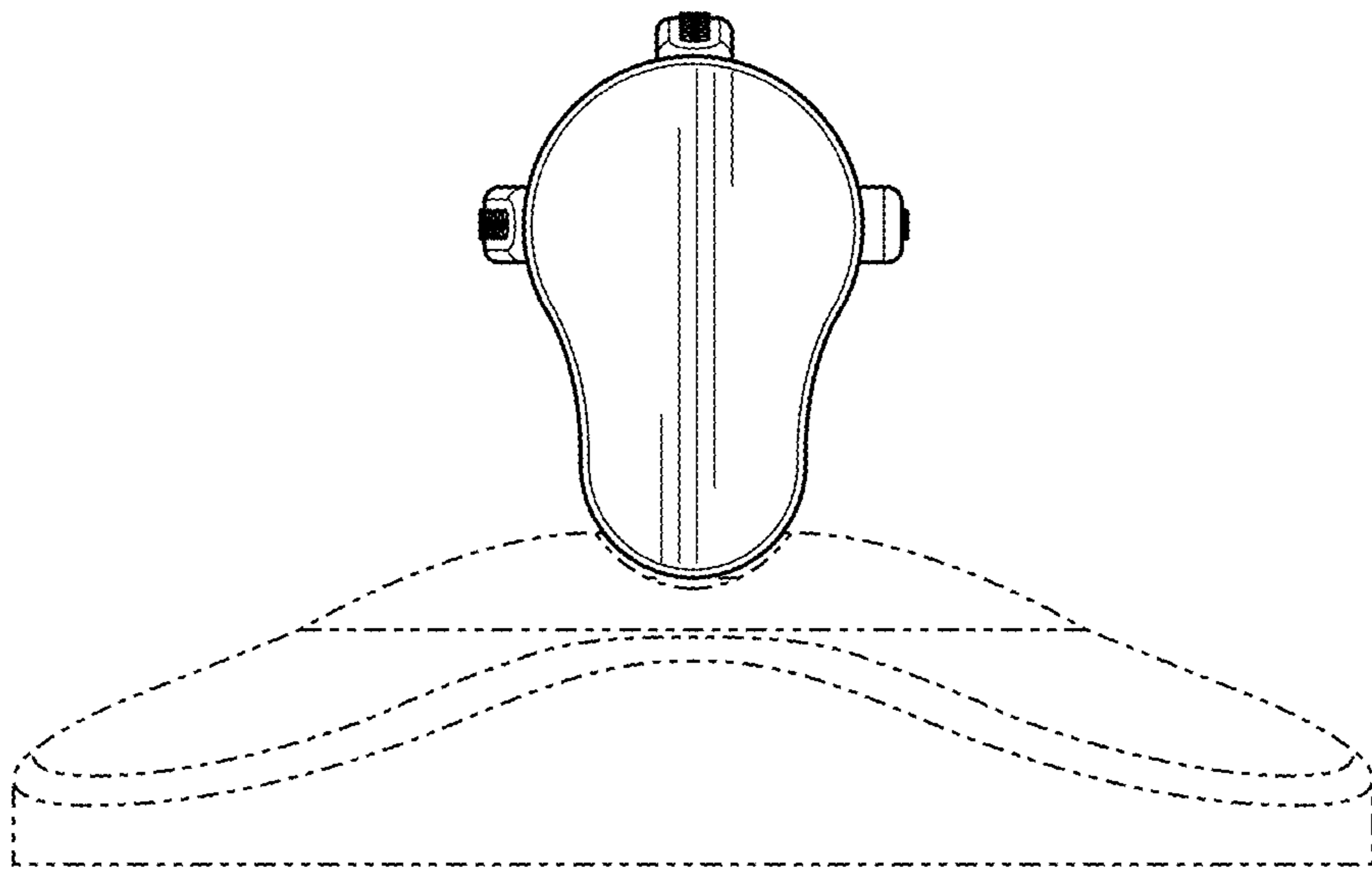


FIG. 4

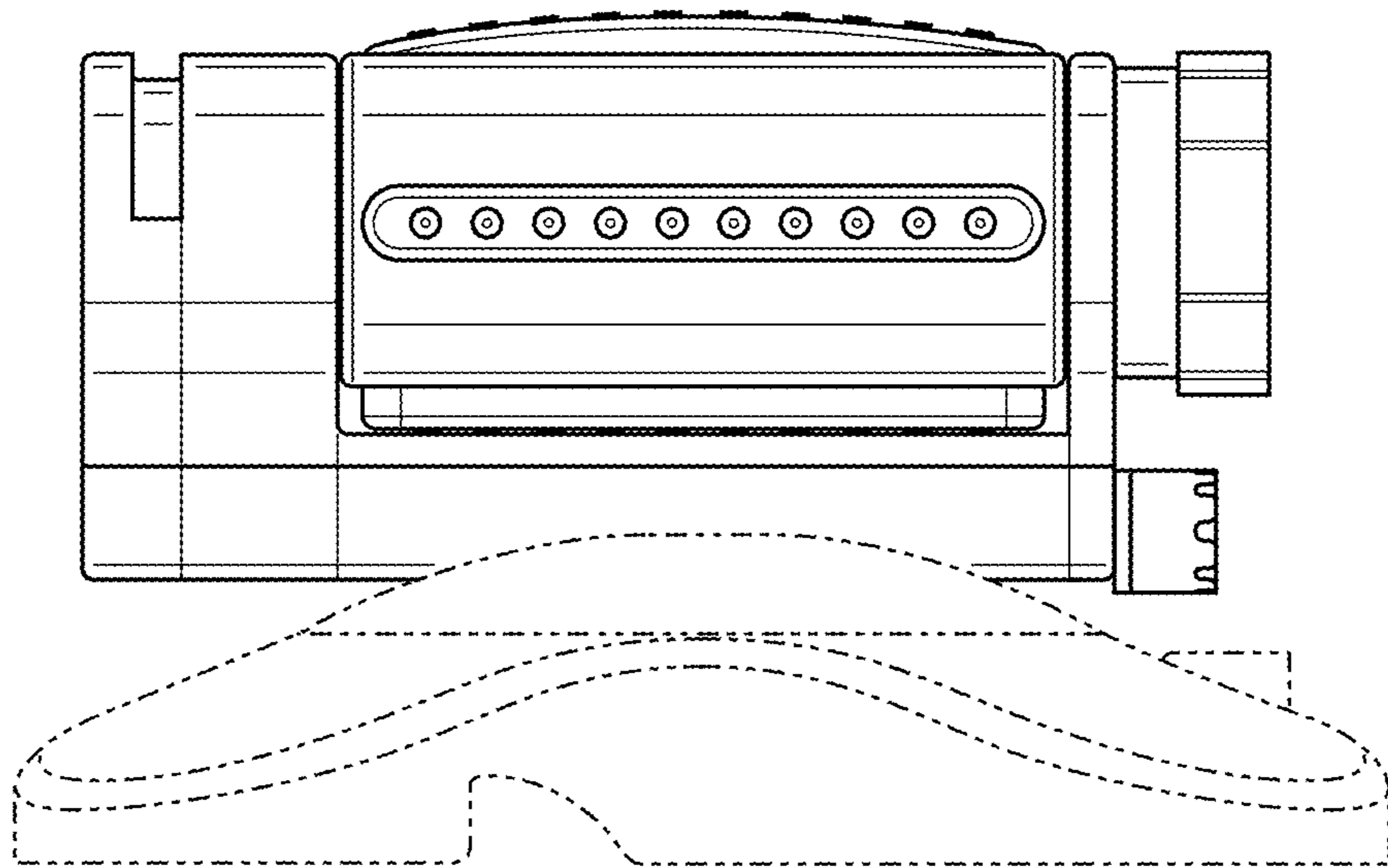


FIG. 5

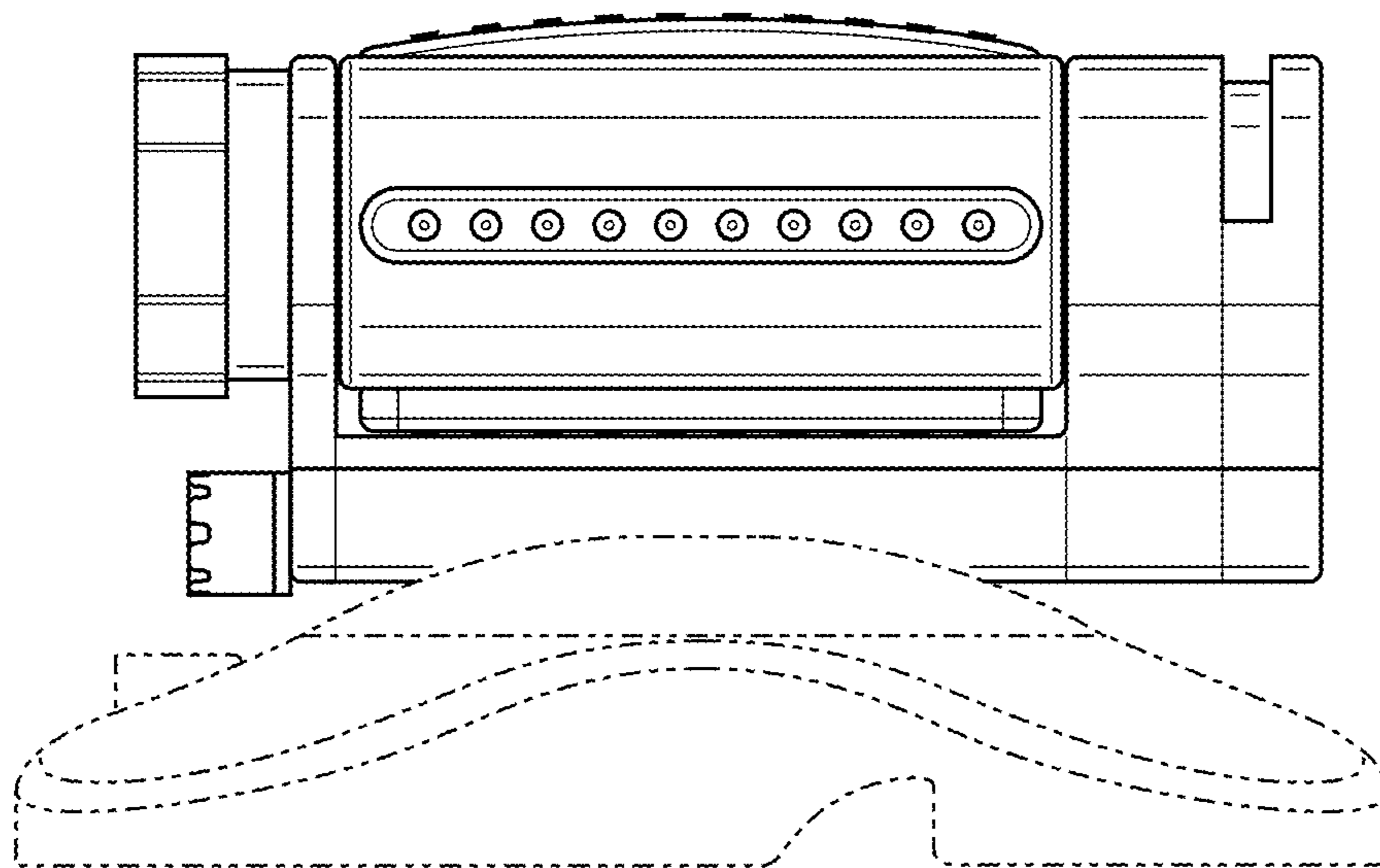


FIG. 6

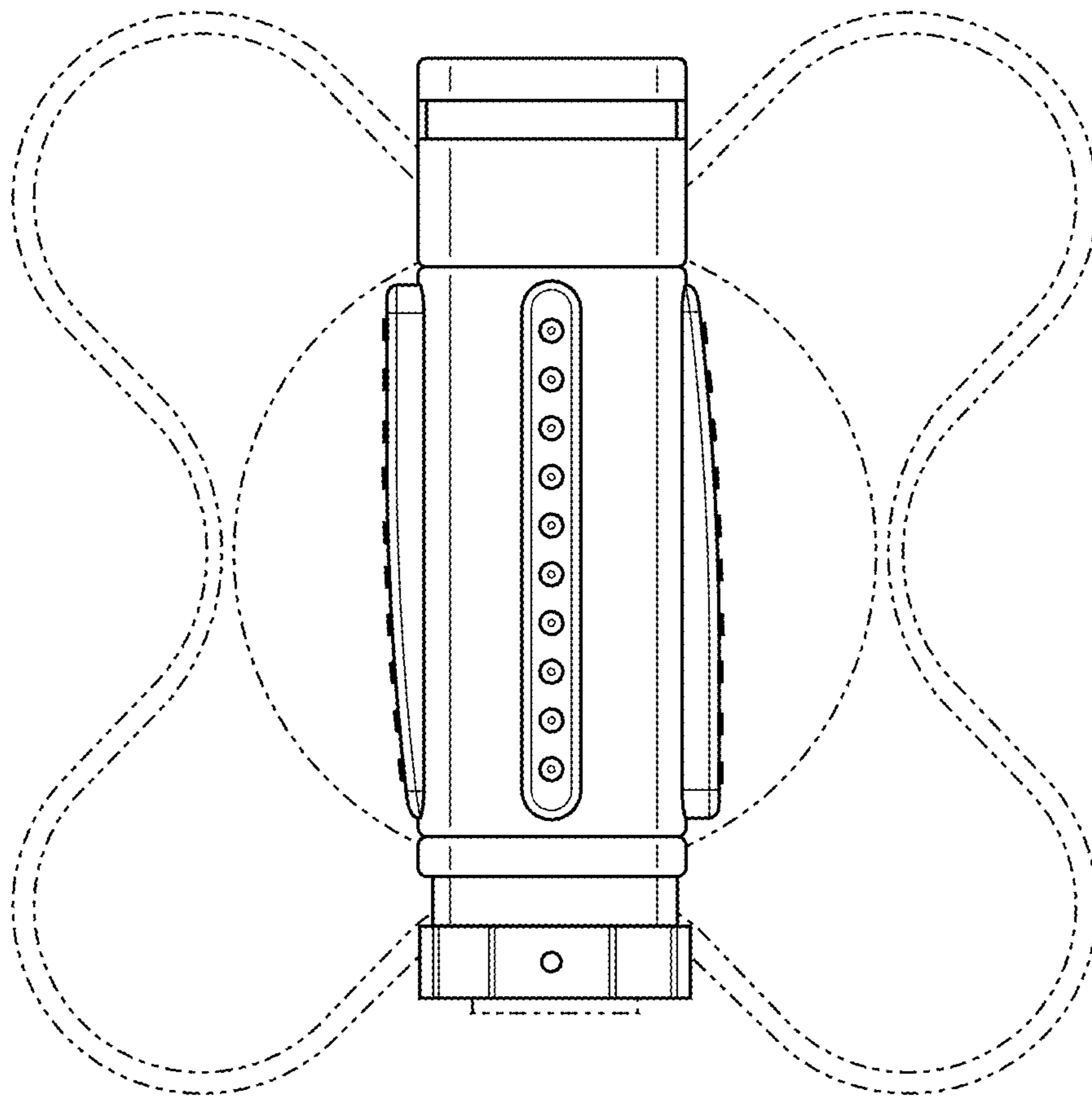


FIG. 7

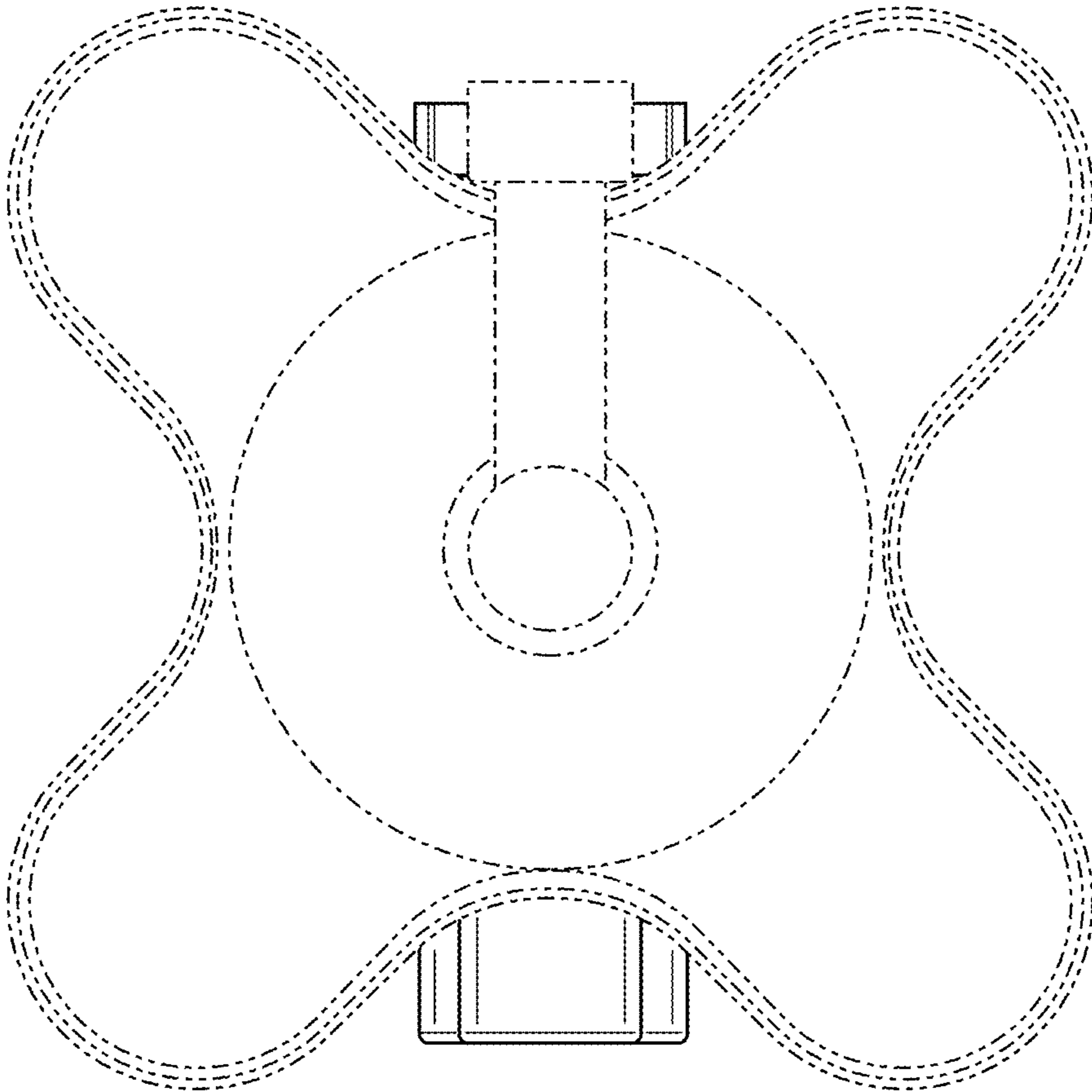


FIG. 8