



US00D769410S

(12) **United States Design Patent** (10) **Patent No.:** **US D769,410 S**  
**Szasz** (45) **Date of Patent:** **\*\* Oct. 18, 2016**

(54) **FIRE SUPPRESSION SPRINKLER**  
(71) Applicant: **Rodney James Szasz**, Nanaimo (CA)  
(72) Inventor: **Rodney James Szasz**, Nanaimo (CA)  
(\*\*) Term: **15 Years**

4,801,090 A \* 1/1989 Yoshida ..... B05B 7/0425  
169/16  
5,425,505 A \* 6/1995 Jones ..... A62C 31/28  
169/52  
D463,525 S \* 9/2002 Drechsel ..... D23/214  
D469,156 S \* 1/2003 Drechsel ..... D23/214  
D523,927 S \* 6/2006 Crowley ..... D23/214  
D542,886 S \* 5/2007 Crowley ..... D23/214

(21) Appl. No.: **29/533,592**  
(22) Filed: **Jul. 20, 2015**

\* cited by examiner

(30) **Foreign Application Priority Data**

*Primary Examiner* — Robin V Webster  
(74) *Attorney, Agent, or Firm* — Stephen R. Burri

Jan. 21, 2015 (CA) ..... 160496  
(51) **LOC (10) Cl.** ..... **23-01**  
(52) **U.S. Cl.**  
USPC ..... **D23/214**  
(58) **Field of Classification Search**  
USPC ..... D23/213, 214; 239/288, 288.5; 169/37,  
169/41, 52, 24, 58, 5, 57  
CPC .... B05B 15/001; A62C 31/02; A62C 37/10;  
E03C 1/06  
See application file for complete search history.

(57) **CLAIM**

The ornamental design for a fire suppression sprinkler, as shown and described.

(56) **References Cited**

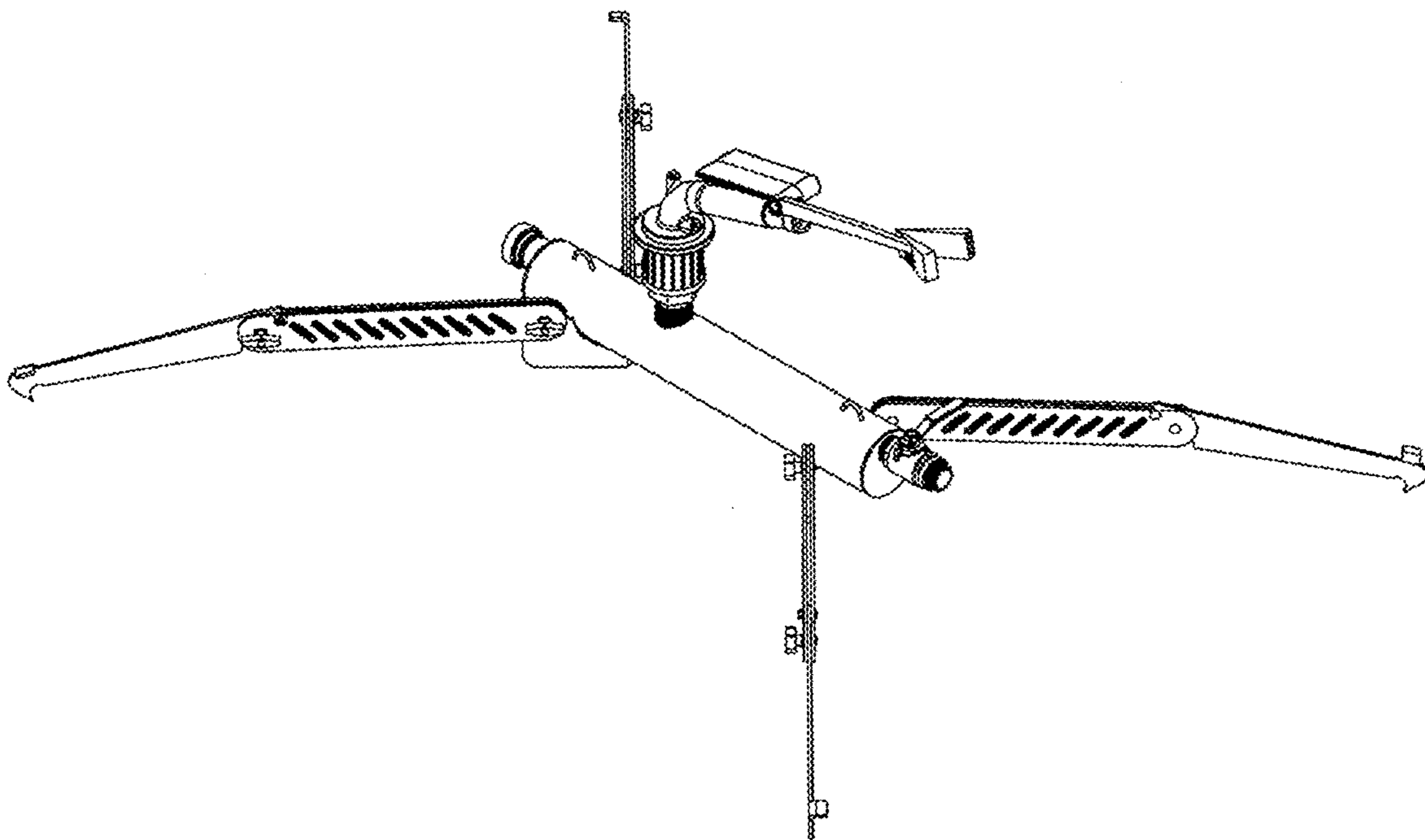
**DESCRIPTION**

FIG. 1 is a perspective view of a fire suppression sprinkler; FIG. 2 is a top view of the fire suppression sprinkler; FIG. 3 is a bottom view of the fire suppression sprinkler; FIG. 4 is a right side view of the fire suppression sprinkler; FIG. 5 is a left side view of the fire suppression sprinkler; FIG. 6 is a front view of the fire suppression sprinkler; and, FIG. 7 is a rear view of the fire suppression sprinkler.

**U.S. PATENT DOCUMENTS**

3,989,109 A \* 11/1976 Gagliardo ..... A62C 31/02  
169/24  
4,717,099 A \* 1/1988 Hubbard ..... A62C 37/10  
248/228.1

**1 Claim, 7 Drawing Sheets**



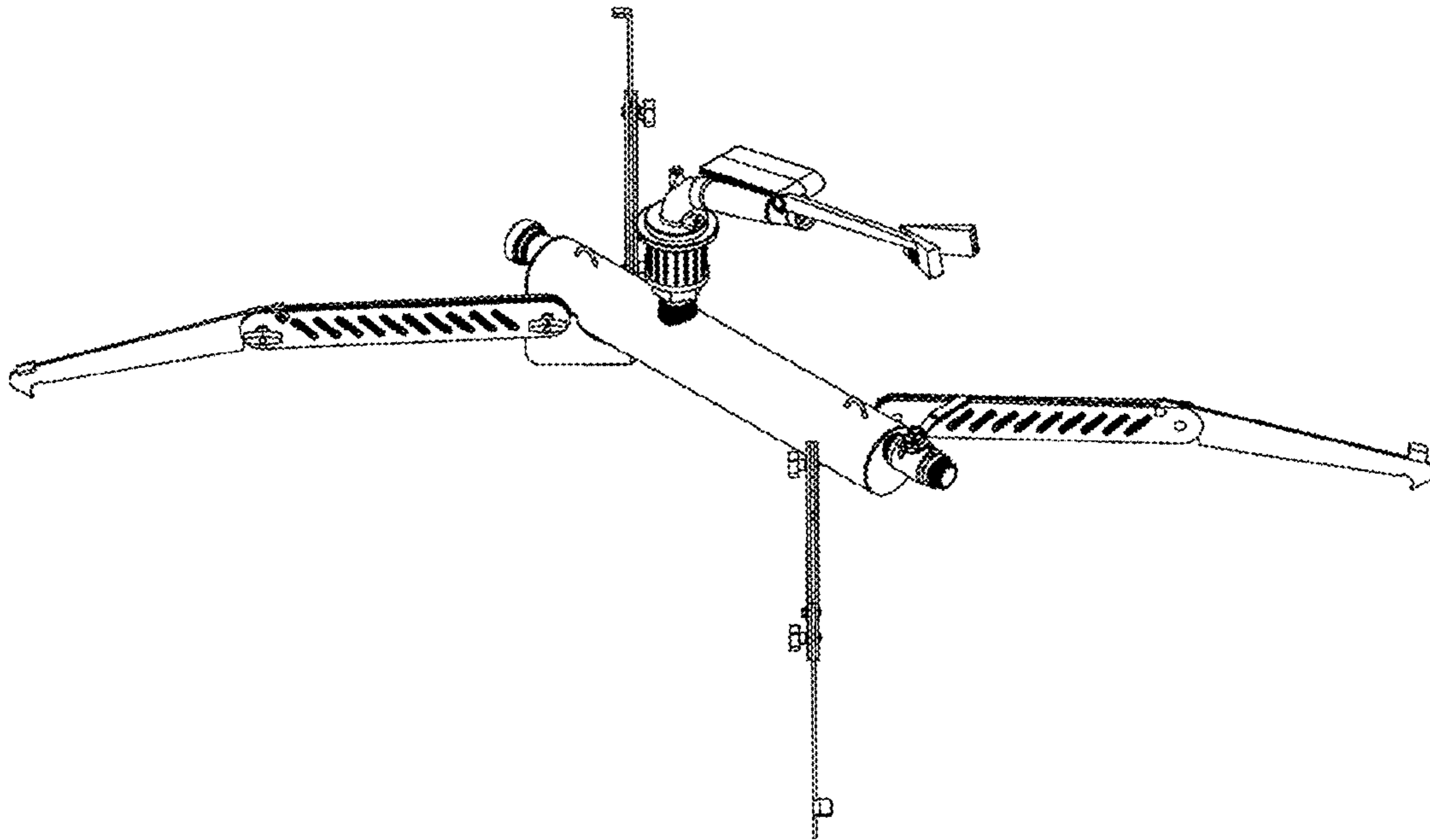


FIG. 1

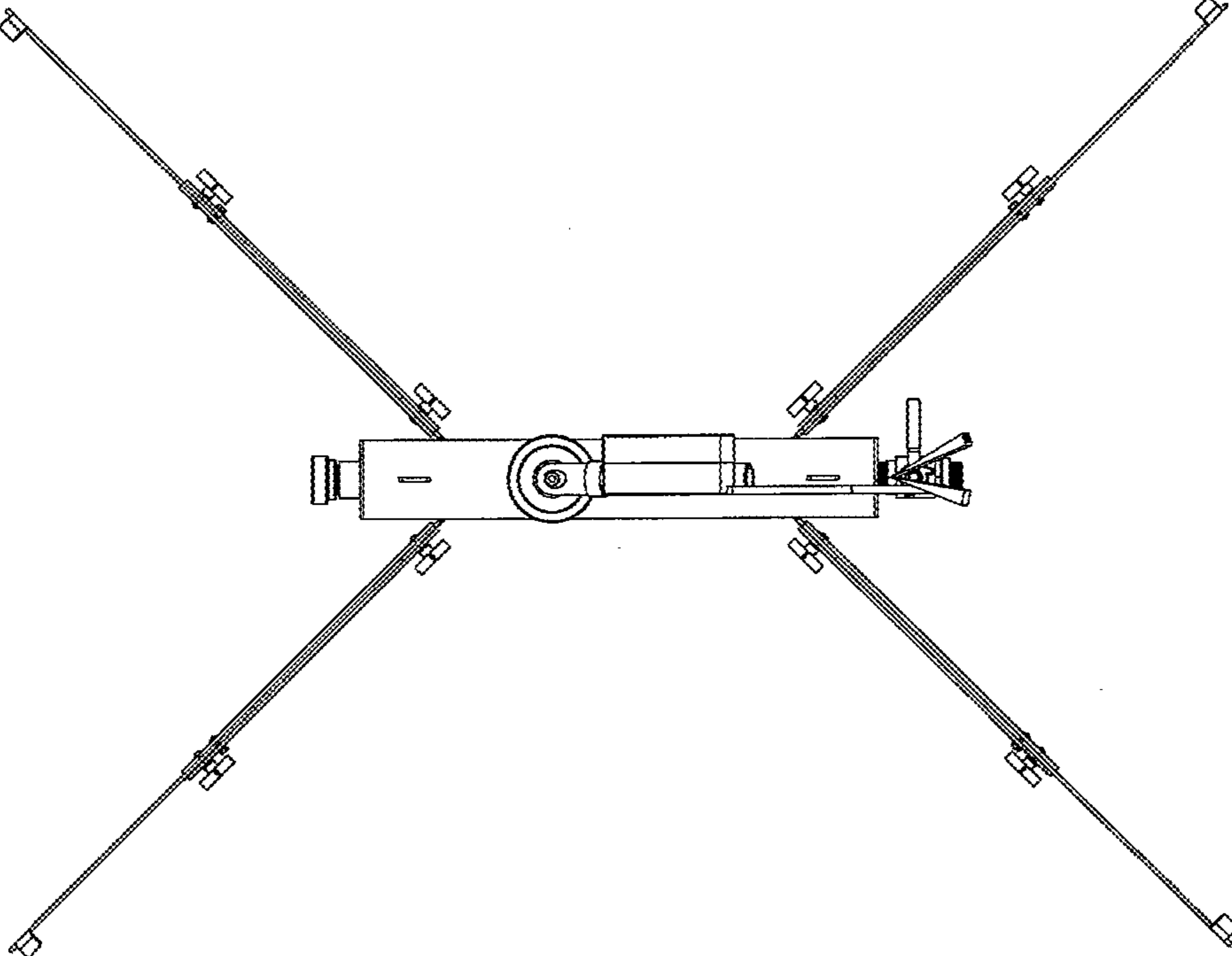


FIG. 2

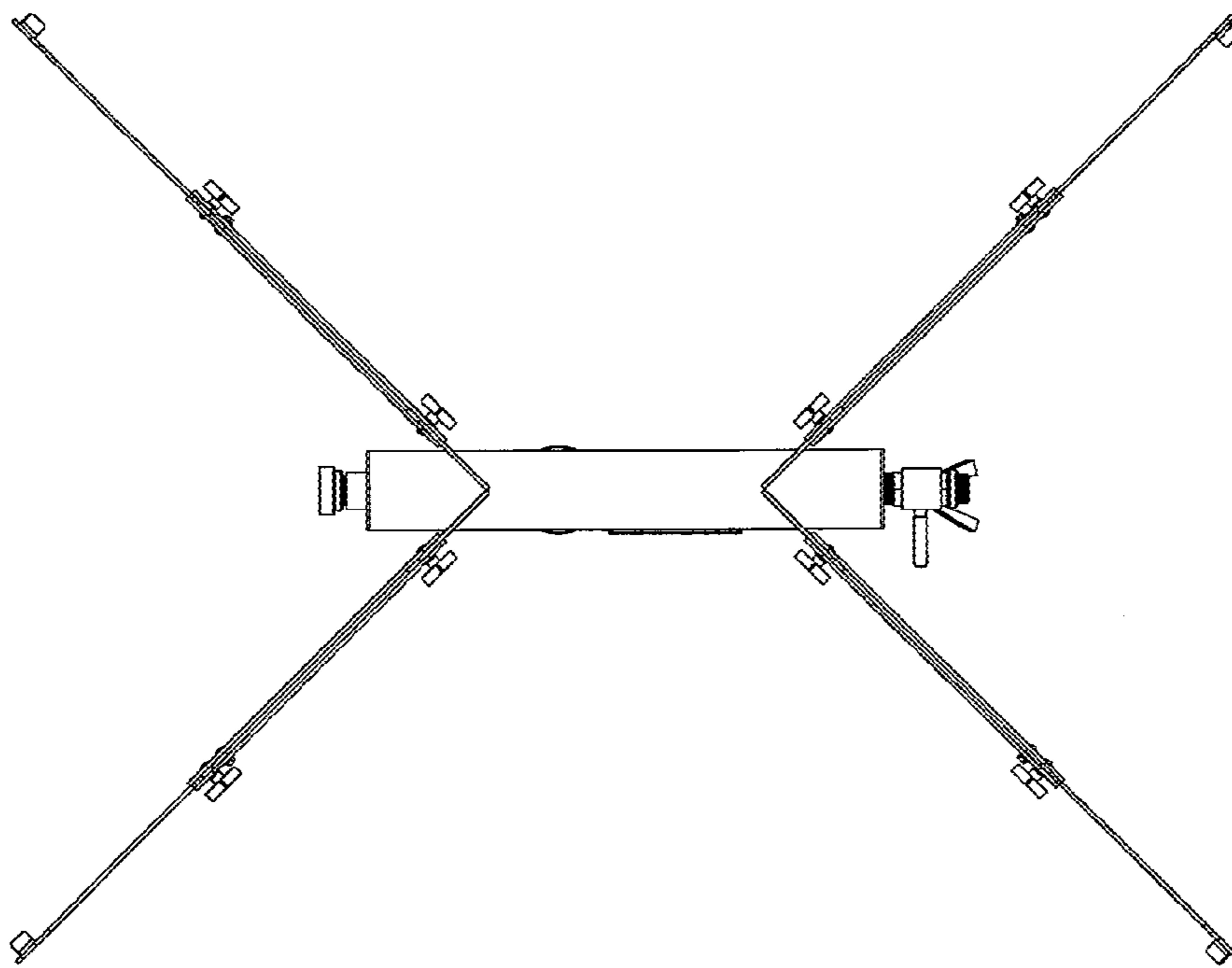


FIG. 3

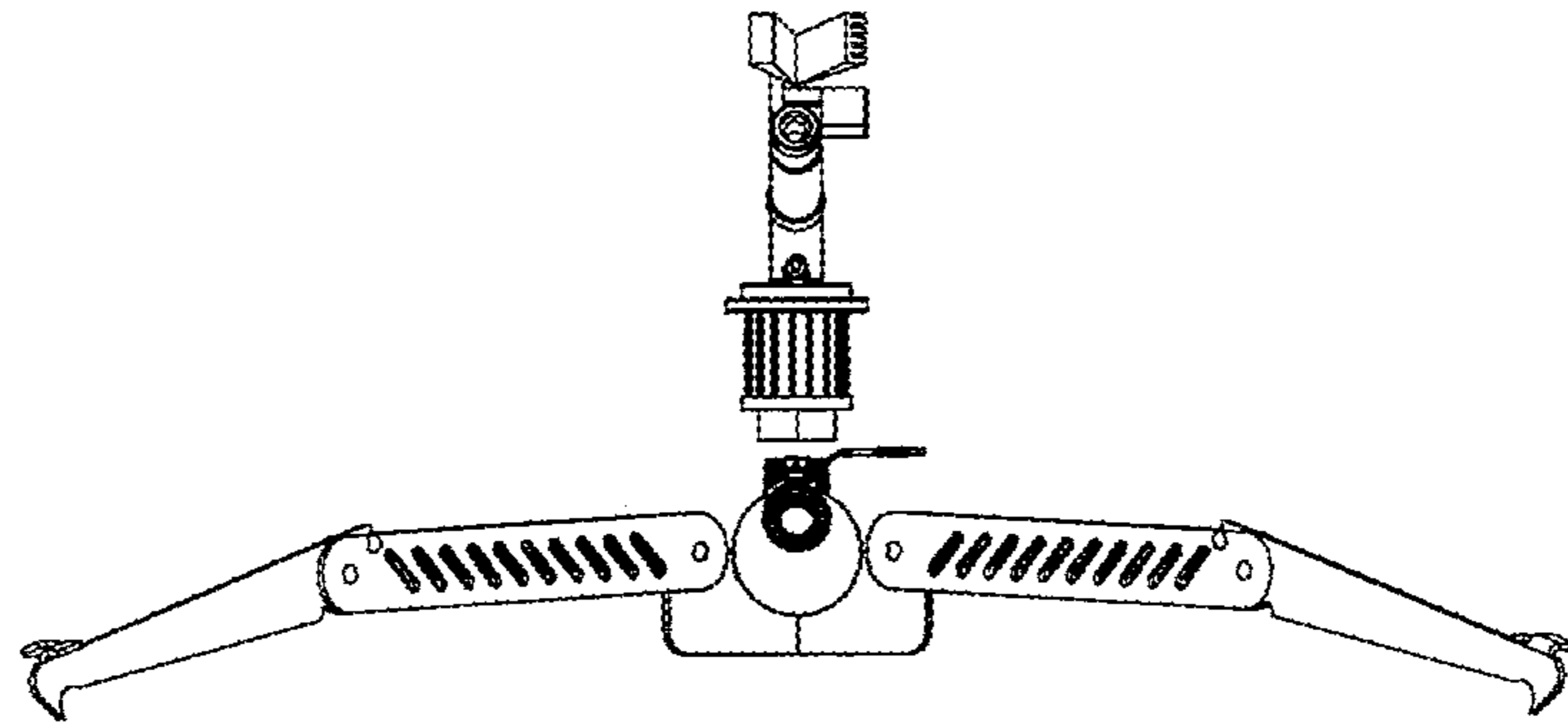


FIG. 4

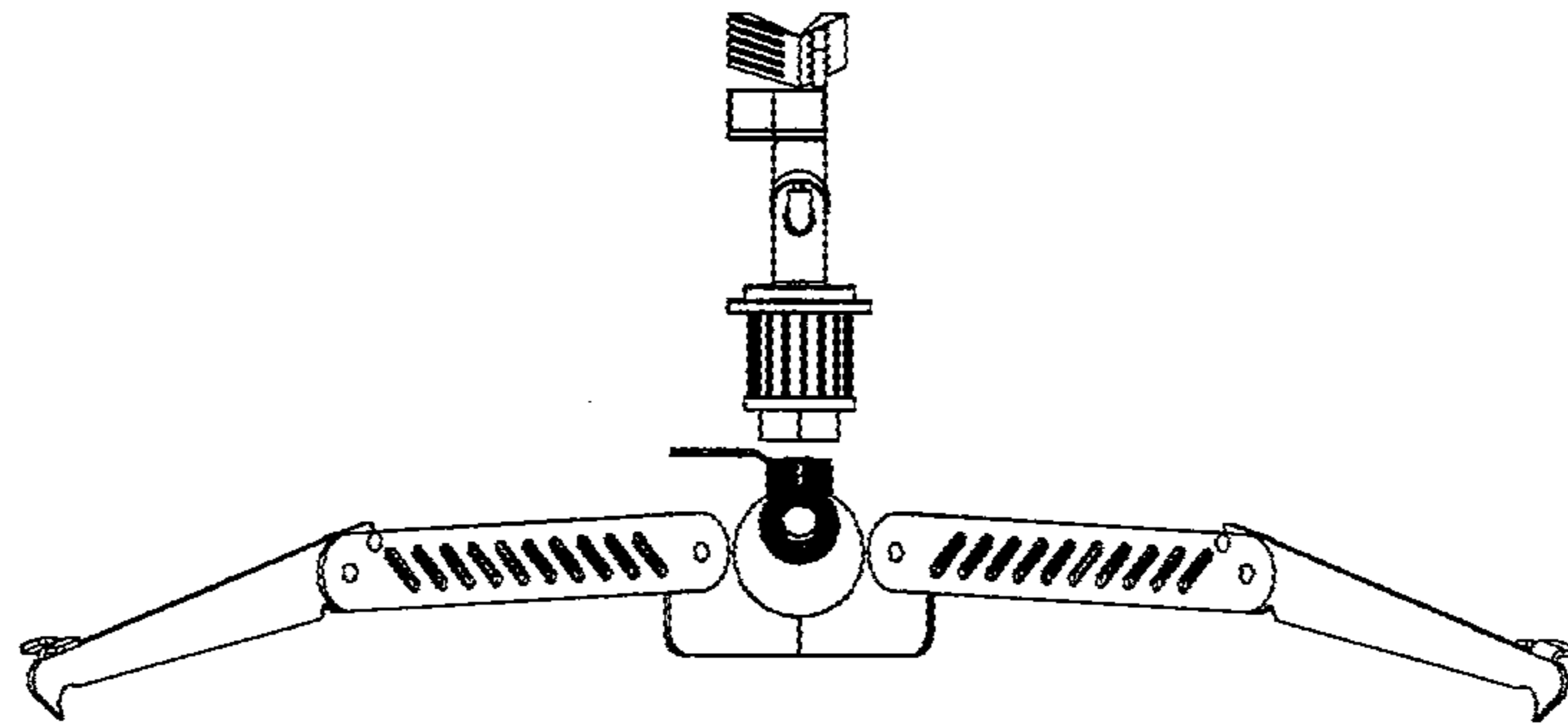


FIG. 5

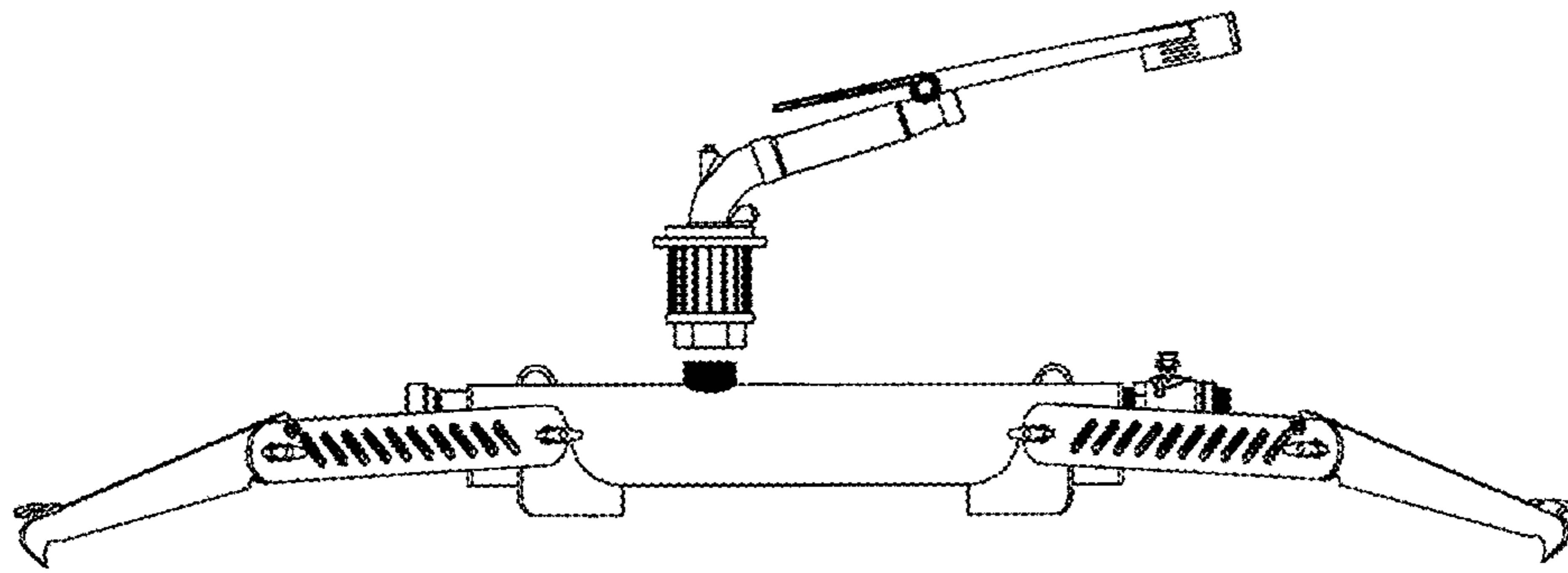


FIG. 6

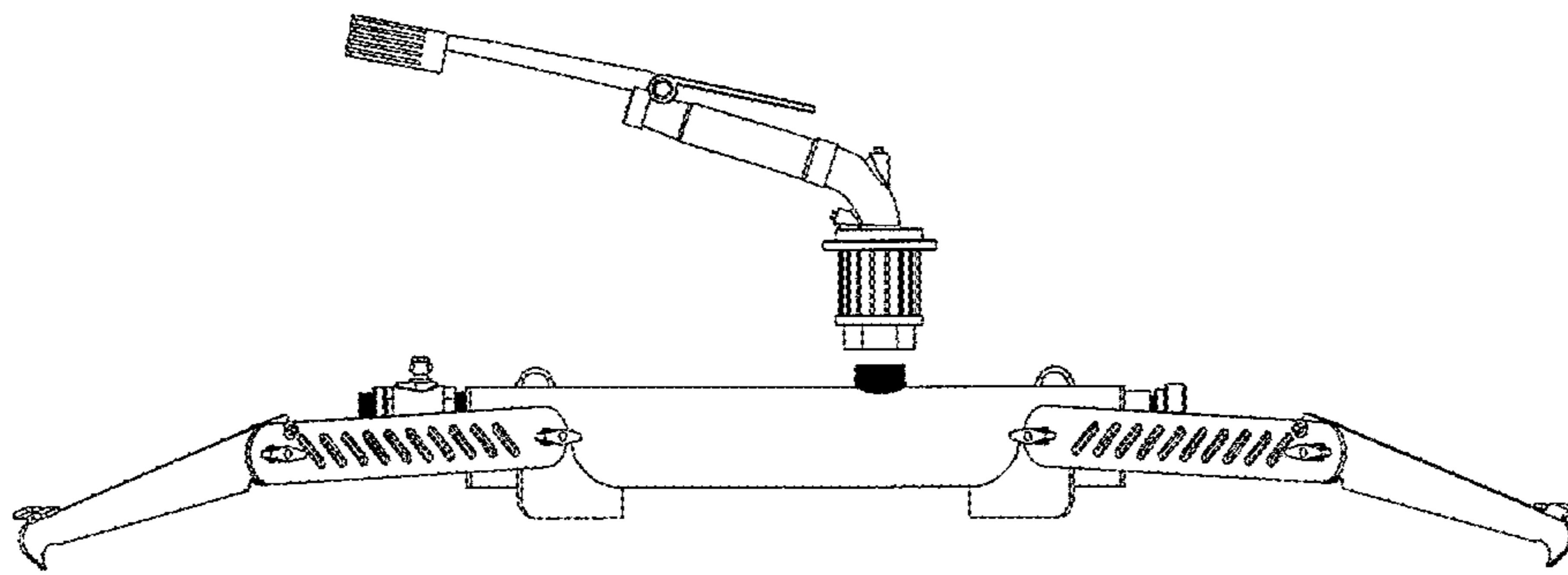


FIG. 7