

US00D769409S

(12) **United States Design Patent**  
**Race et al.**

(10) **Patent No.:** **US D769,409 S**  
(45) **Date of Patent:** **\*\* Oct. 18, 2016**

- (54) **ATTACHABLE DIVERTER FOR A FIRE SPRINKLER HEAD**
- (71) Applicants: **Matthew D. Race**, Cincinnati, OH (US); **John M. Wolverton**, Cincinnati, OH (US)
- (72) Inventors: **Matthew D. Race**, Cincinnati, OH (US); **John M. Wolverton**, Cincinnati, OH (US)

4,638,866 A	1/1987	Capasso et al.	
5,052,149 A	10/1991	Johnson	
5,172,718 A	12/1992	Thornburgh	
5,344,193 A	9/1994	Rio	
5,647,438 A *	7/1997	Chatrathi	A62C 37/36 169/28
D393,307 S *	4/1998	Golston	D23/209
6,227,232 B1	5/2001	Williams, Sr.	
6,845,784 B2	1/2005	Pascznk	
7,025,285 B2	4/2006	Silverstein et al.	
7,373,720 B1	5/2008	Jensen et al.	
D597,170 S *	7/2009	Hin	D23/207
D706,901 S *	6/2014	Hagen	D23/207

- (\*\*) Term: **15 Years**
- (21) Appl. No.: **29/529,599**
- (22) Filed: **Jun. 9, 2015**

\* cited by examiner

*Primary Examiner* — Robin V Webster  
(74) *Attorney, Agent, or Firm* — Robert C. Montgomery; Montgomery Patent & Design LP.

**Related U.S. Application Data**

- (63) Continuation of application No. 13/465,095, filed on May 7, 2012, now abandoned.
- (51) **LOC (10) Cl.** ..... **23-01**
- (52) **U.S. Cl.**  
USPC ..... **D23/214**
- (58) **Field of Classification Search**  
USPC ..... D23/213, 214; 239/288, 288.5; 169/37, 169/41, 52, 24, 58, 5, 57  
CPC .... B05B 15/001; A62C 31/02; A62C 37/10; E03C 1/06  
See application file for complete search history.

(57) **CLAIM**

The ornamental design for an attachable diverter for a fire sprinkler head, as shown and described.

**DESCRIPTION**

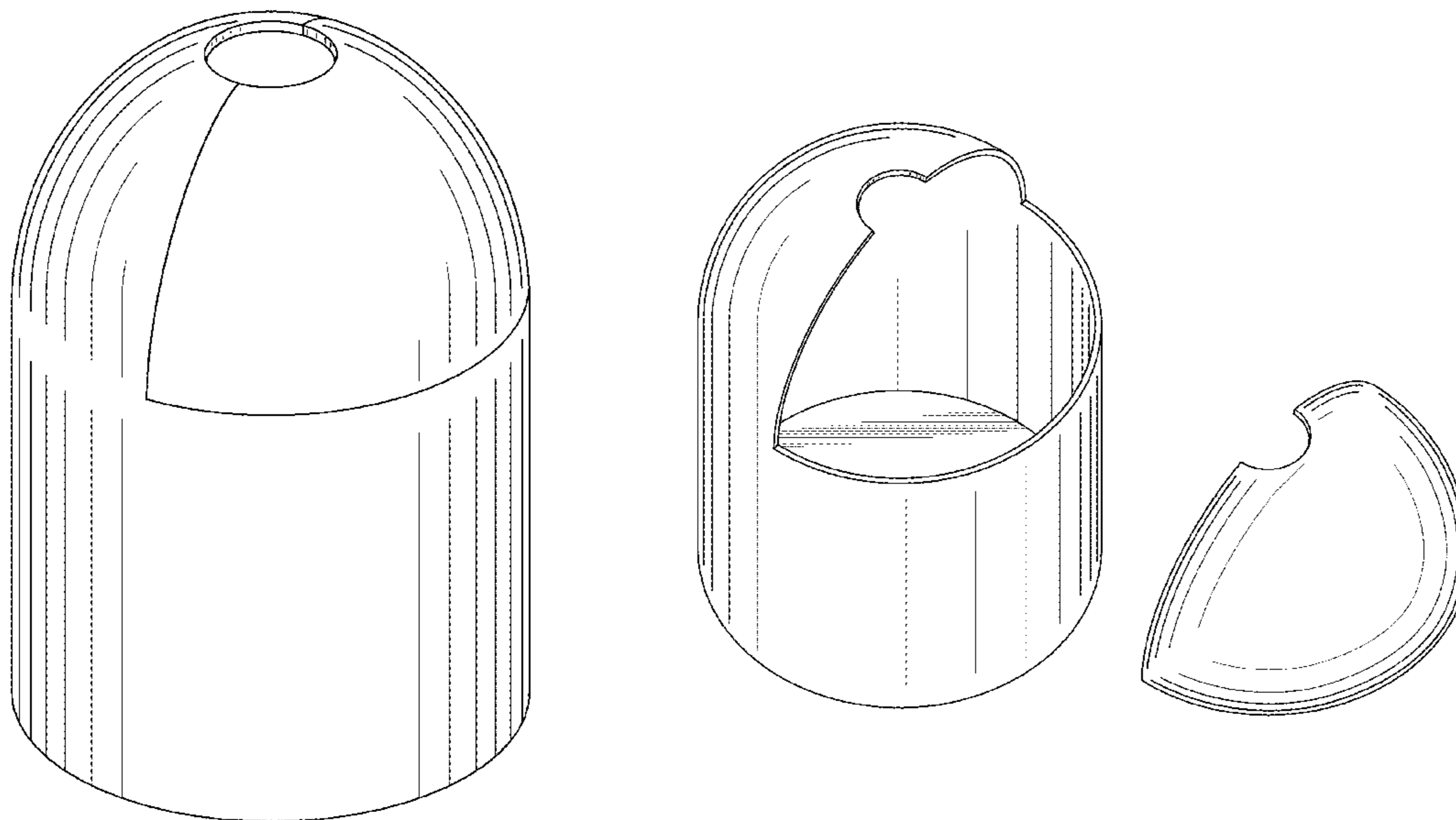
FIG. 1 is a perspective front side assembled view of the attachable diverter for a fire sprinkler head, showing our new design;  
 FIG. 2 is a perspective front side disassembled view of the attachable diverter for a fire sprinkler head;  
 FIG. 3 is a perspective bottom side view thereof;  
 FIG. 4 is a front side view with the back side view being a mirror image thereof;  
 FIG. 5 is a left side view thereof;  
 FIG. 6 is a right side view thereof;  
 FIG. 7 is a top side view thereof; and,  
 FIG. 8 is a bottom side view thereof.  
 The broken lines represent a boundary area and form no part of the claimed design.

(56) **References Cited**

**U.S. PATENT DOCUMENTS**

1,880,244 A *	10/1932	Dugas	A62C 13/006 169/5
2,822,877 A *	2/1958	Post	A62C 35/605 169/28
4,245,666 A	1/1981	Norris	

**1 Claim, 8 Drawing Sheets**



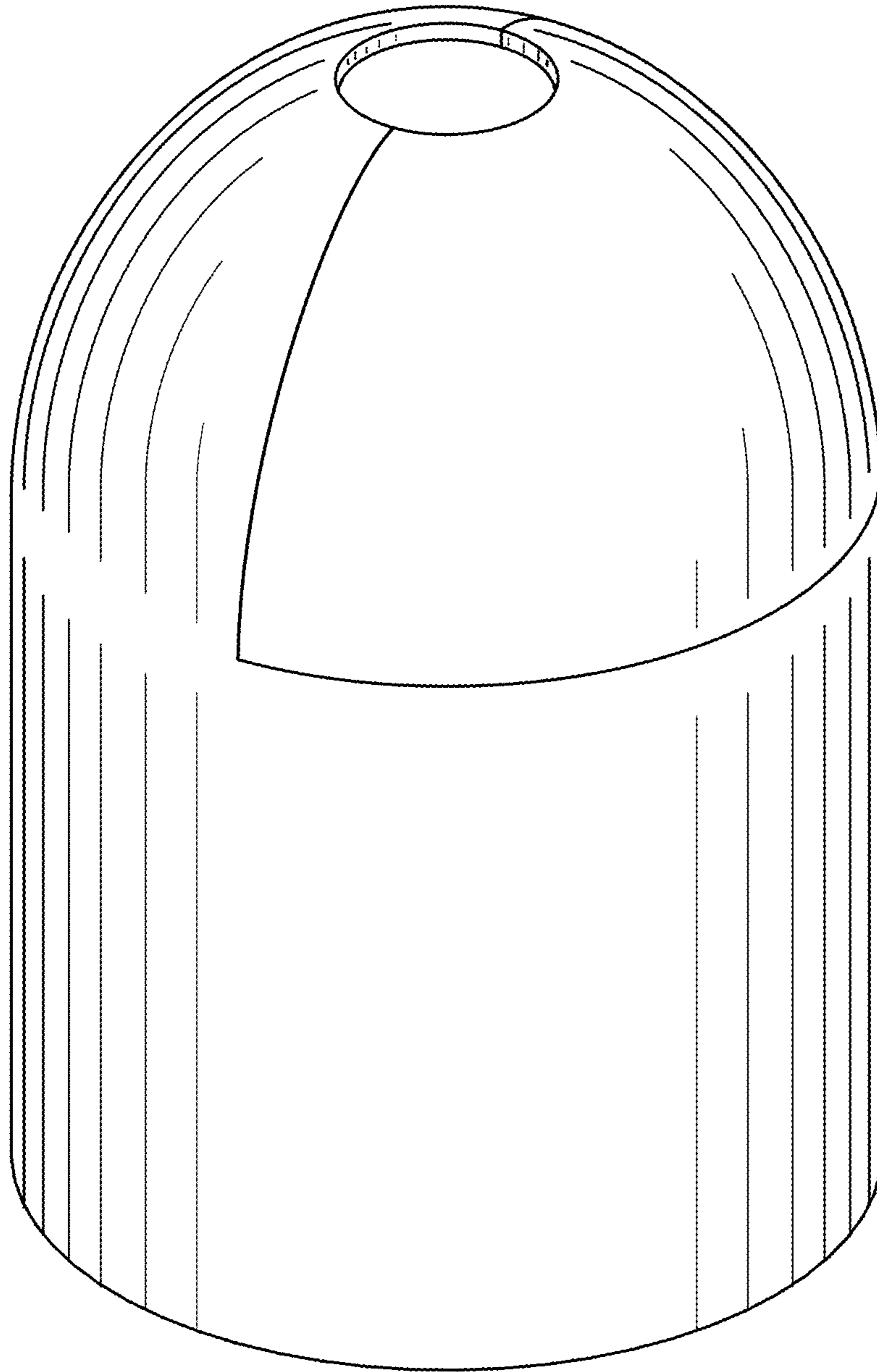


FIG. 1

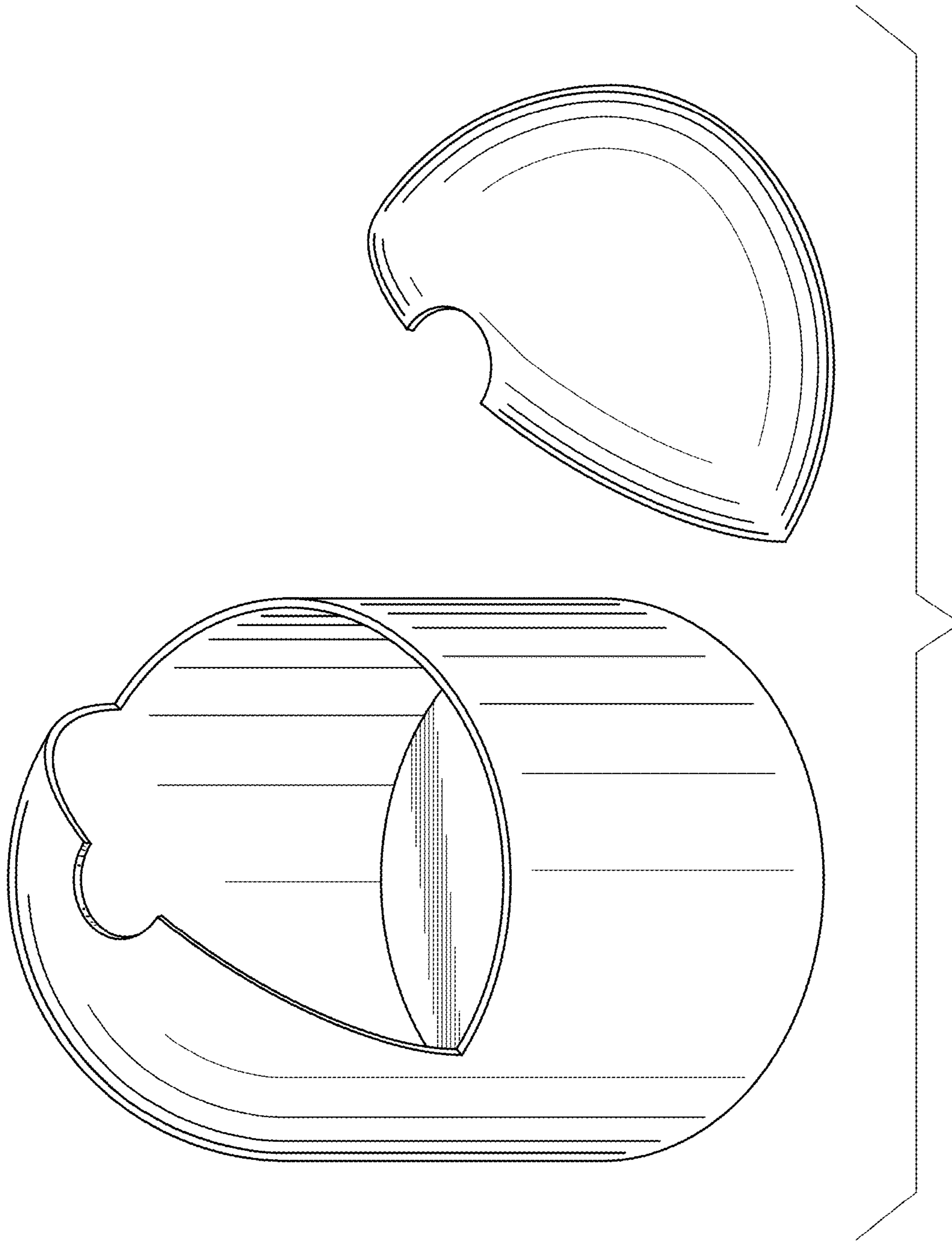


FIG. 2

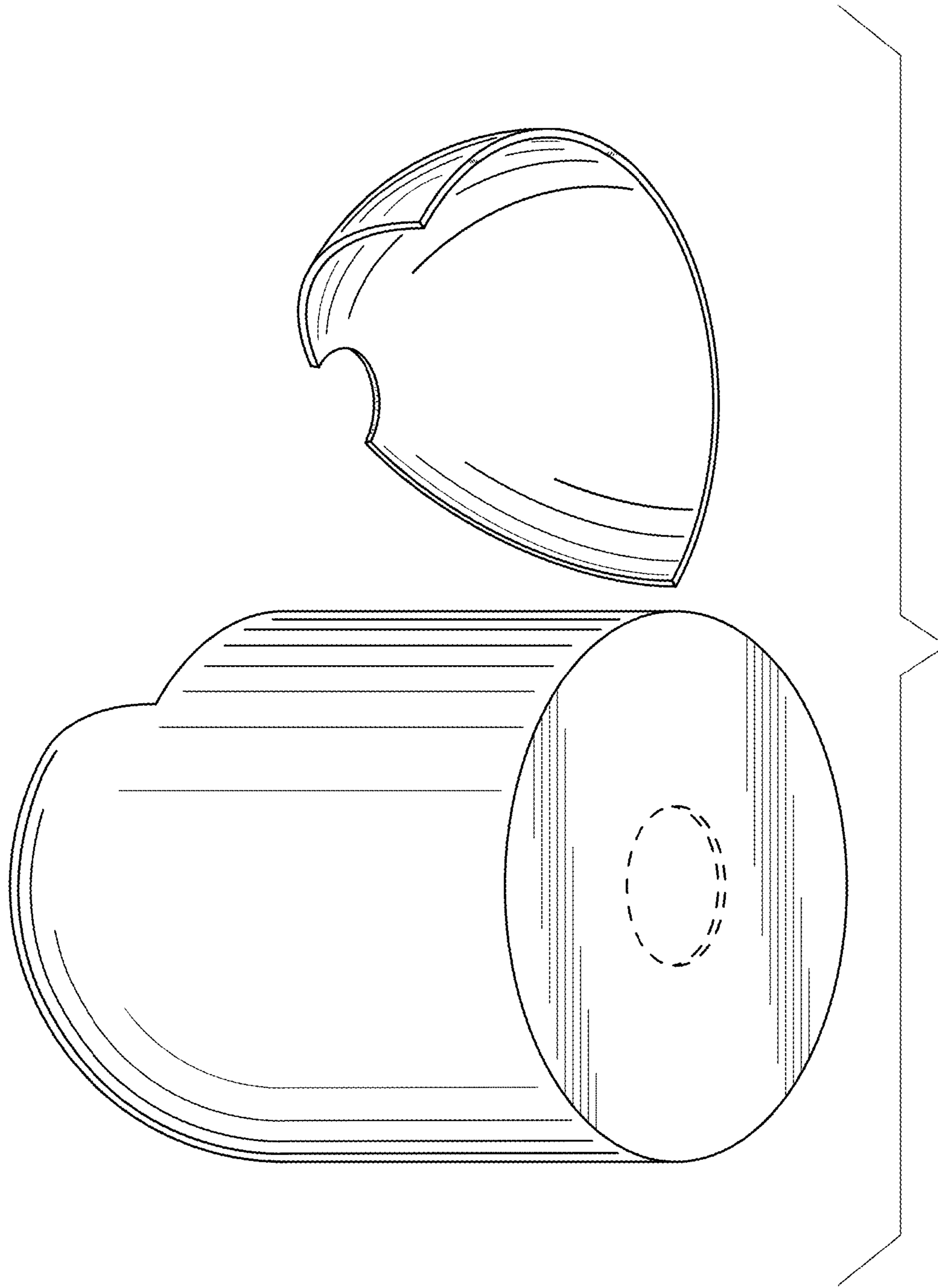


FIG. 3

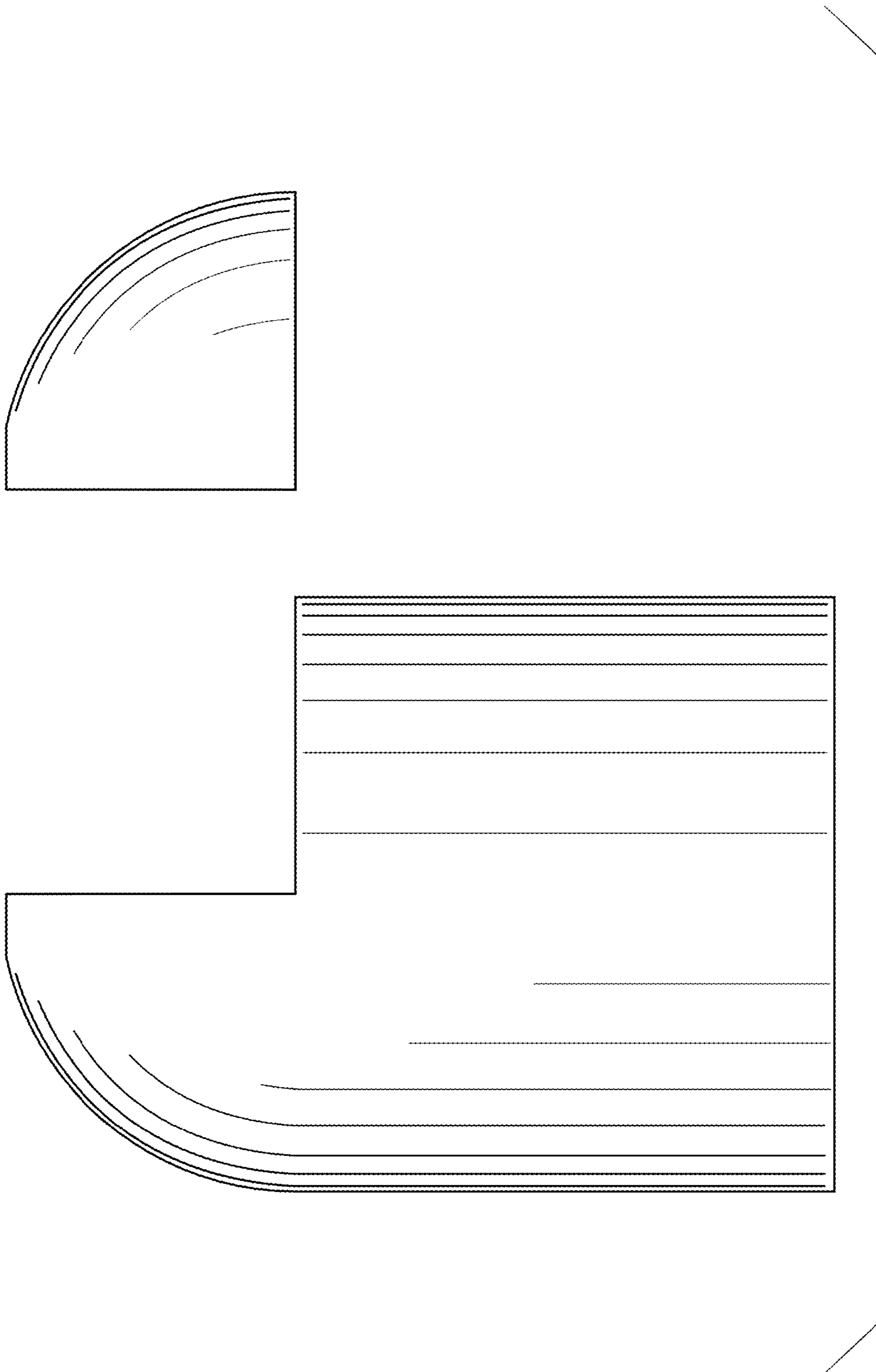


FIG. 4

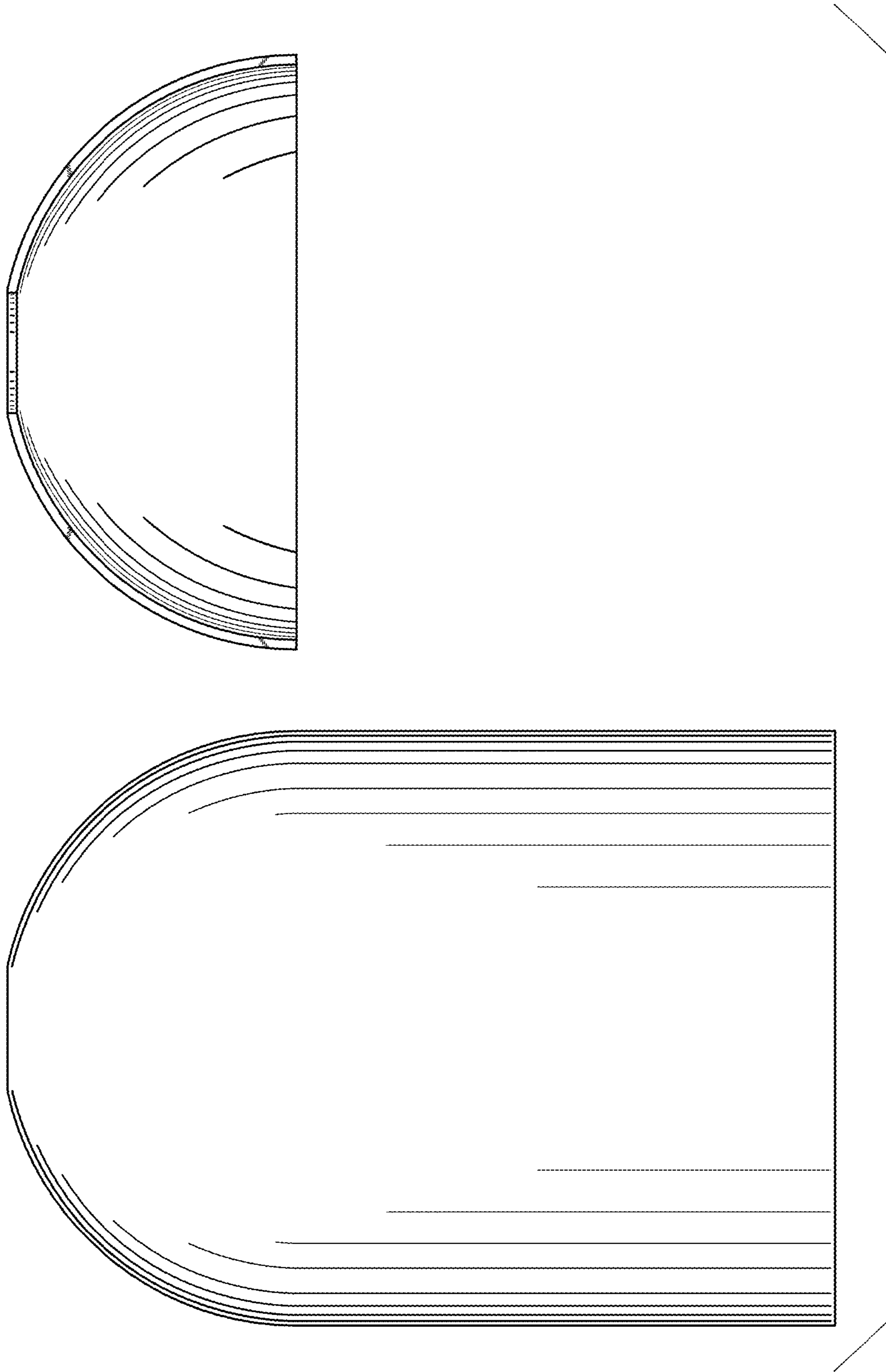


FIG. 5

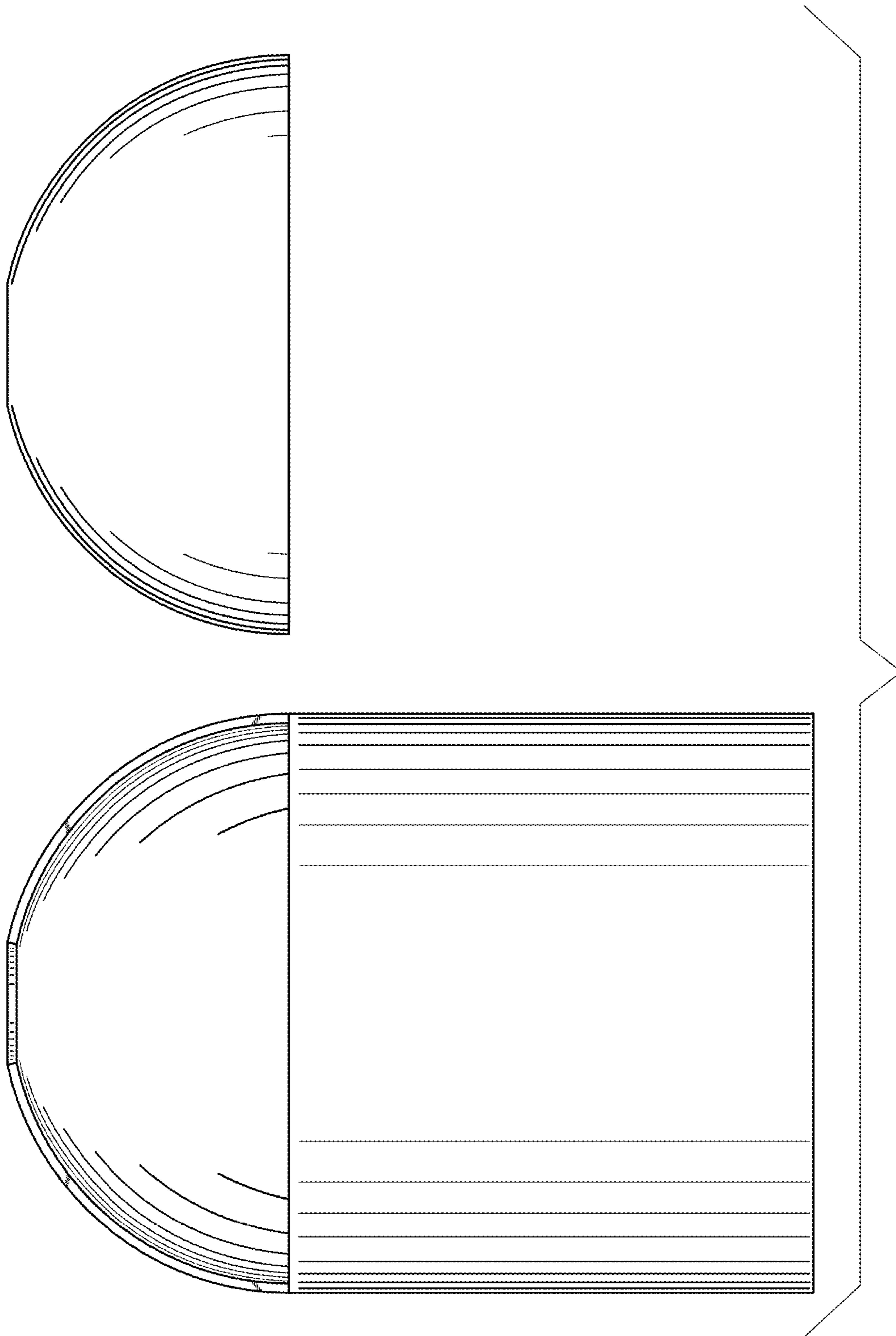


FIG. 6

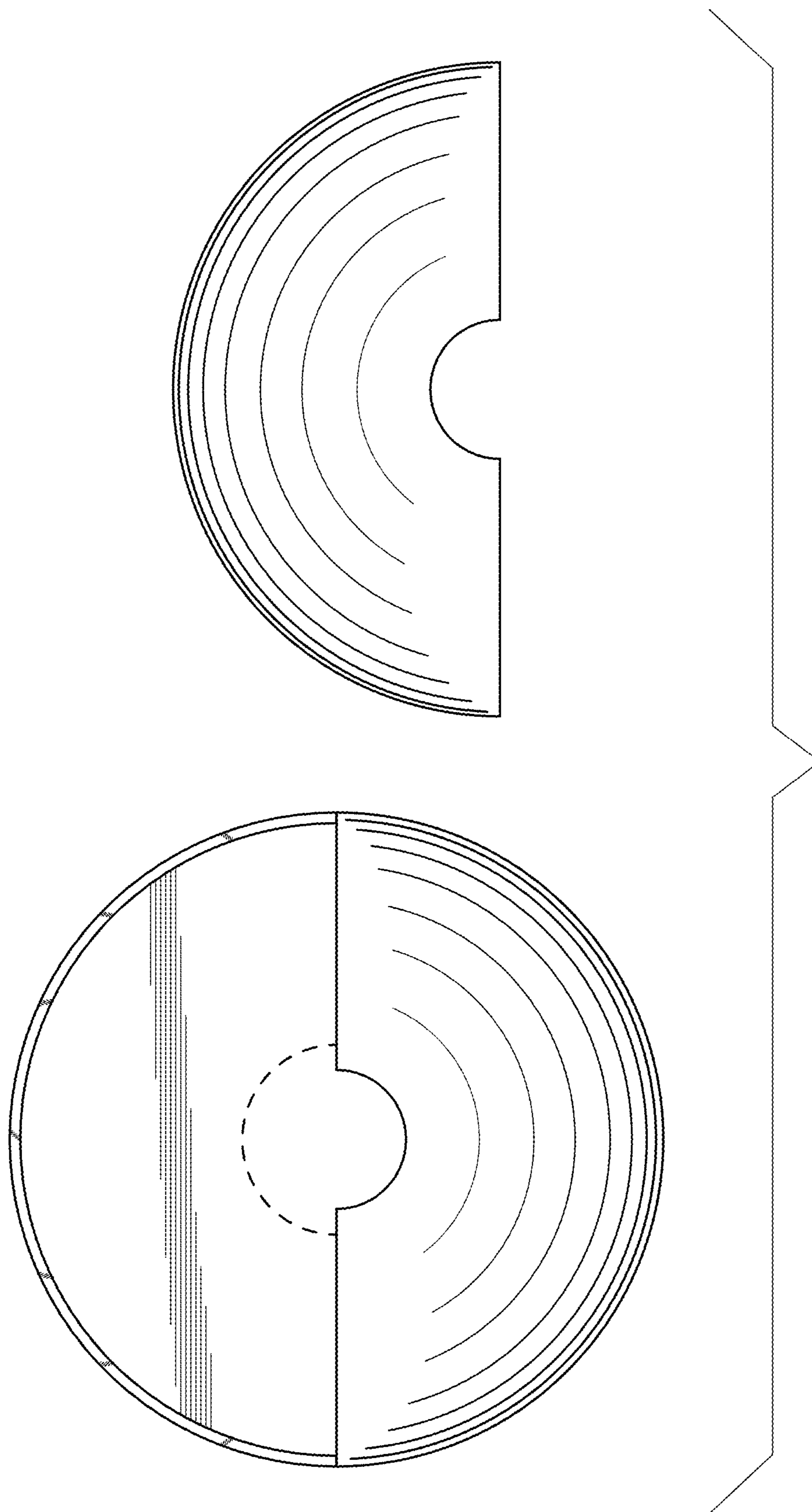


FIG. 7



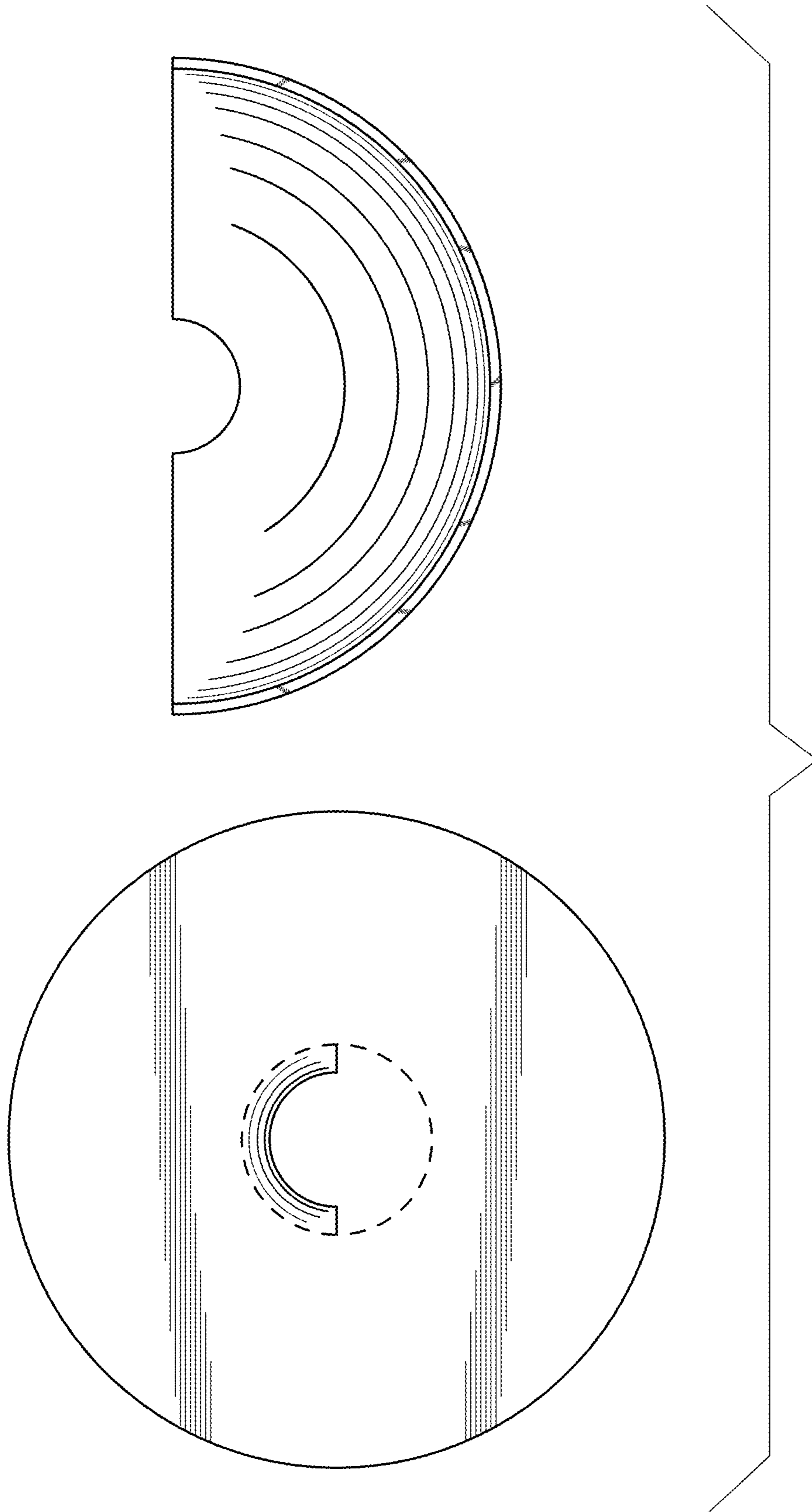


FIG. 8