



US00D769408S

(12) **United States Design Patent**  
**Kumaran et al.**

(10) **Patent No.:** **US D769,408 S**  
(45) **Date of Patent:** **\*\* Oct. 18, 2016**

(54) **WATER PURIFIER WITH FORTIFICATION UNIT**

(71) Applicant: **Conopco, Inc.**, Englewood Cliffs, NJ (US)  
(72) Inventors: **Kiran Kumaran**, Bangalore (IN); **Vetri Kumaran**, Tamil Nadu (IN); **Venkataraman Rajanarayana**, Bangalore (IN)  
(73) Assignee: **Conopco, Inc.**, Englewood Cliffs, NJ (US)

(\*\*) Term: **15 Years**  
(21) Appl. No.: **29/531,805**  
(22) Filed: **Jun. 30, 2015**

(30) **Foreign Application Priority Data**

Jan. 7, 2015 (EM) ..... 002609065-0001  
(51) **LOC (10) Cl.** ..... **23-01**  
(52) **U.S. Cl.**  
USPC ..... **D23/207**  
(58) **Field of Classification Search**  
USPC ..... D23/207, 209; 210/241, 435, 140, 190, 210/191; 202/81, 83, 185.3  
CPC ..... C02F 1/42  
See application file for complete search history.

(56) **References Cited**

U.S. PATENT DOCUMENTS

D273,412 S \* 4/1984 Johnson ..... D23/207  
D273,696 S \* 5/1984 Johnson ..... D23/207  
D654,145 S \* 2/2012 Chatterjee ..... D23/207  
D674,874 S \* 1/2013 Mueller ..... D23/207  
D706,902 S \* 6/2014 Batten ..... D23/207

OTHER PUBLICATIONS

Co-pending Application: Applicant: Anumalasetty et al., U.S. Appl. No. 29/531,826, filed Jun. 30, 2015.

\* cited by examiner

*Primary Examiner* — Robin V Webster  
(74) *Attorney, Agent, or Firm* — Greenberg Traurig, LLP

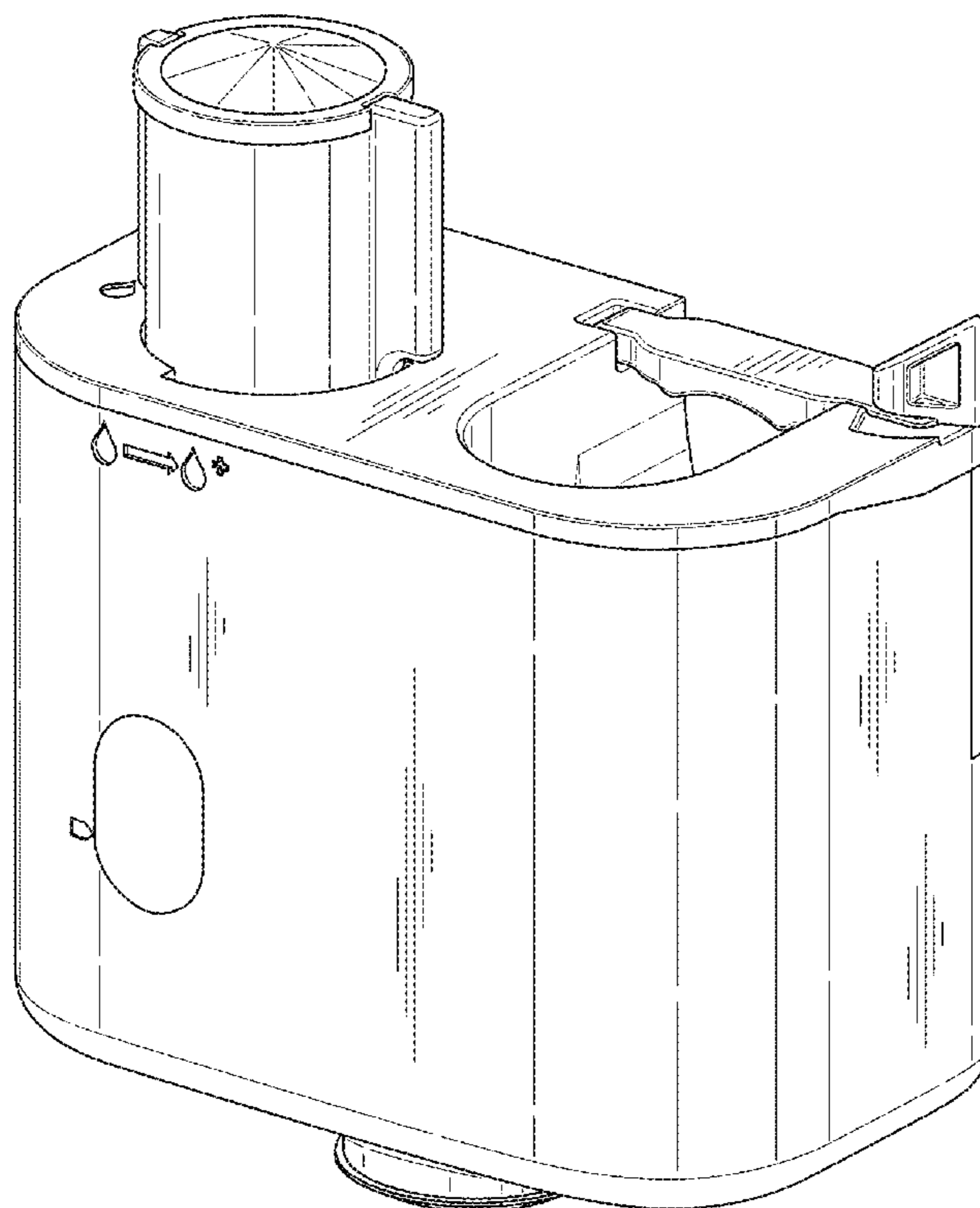
(57) **CLAIM**

The ornamental design for a water purifier with fortification unit, as shown and described.

**DESCRIPTION**

FIG. 1 is a front perspective view from top and right side of a water purifier with fortification unit showing our new design;  
FIG. 2 is a front elevational view thereof;  
FIG. 3 is a back elevational view thereof;  
FIG. 4 is a right side elevational view thereof;  
FIG. 5 is a left side elevational view thereof;  
FIG. 6 is a top plan view thereof; and,  
FIG. 7 is a bottom plan view thereof.

**1 Claim, 6 Drawing Sheets**



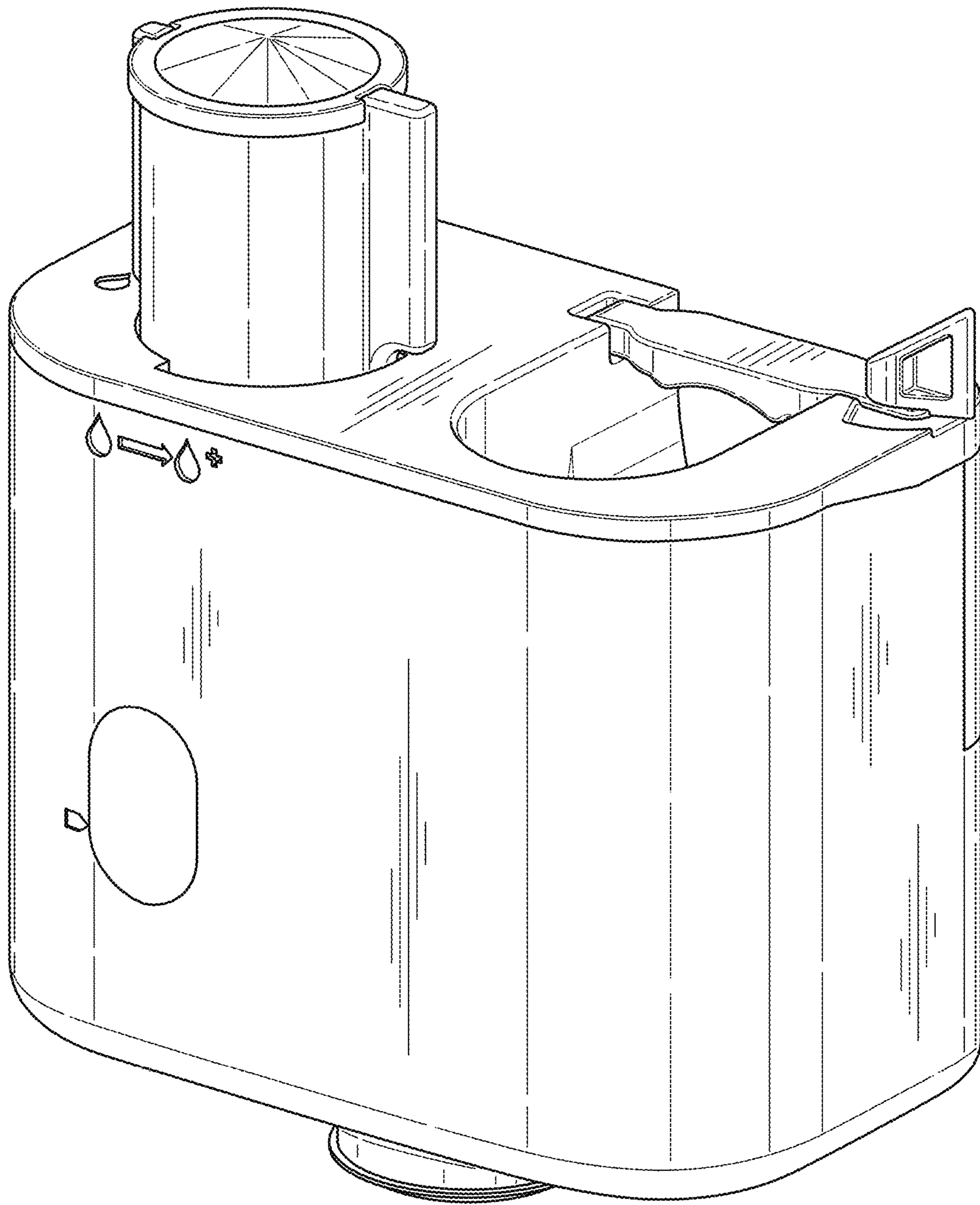


Fig. 1

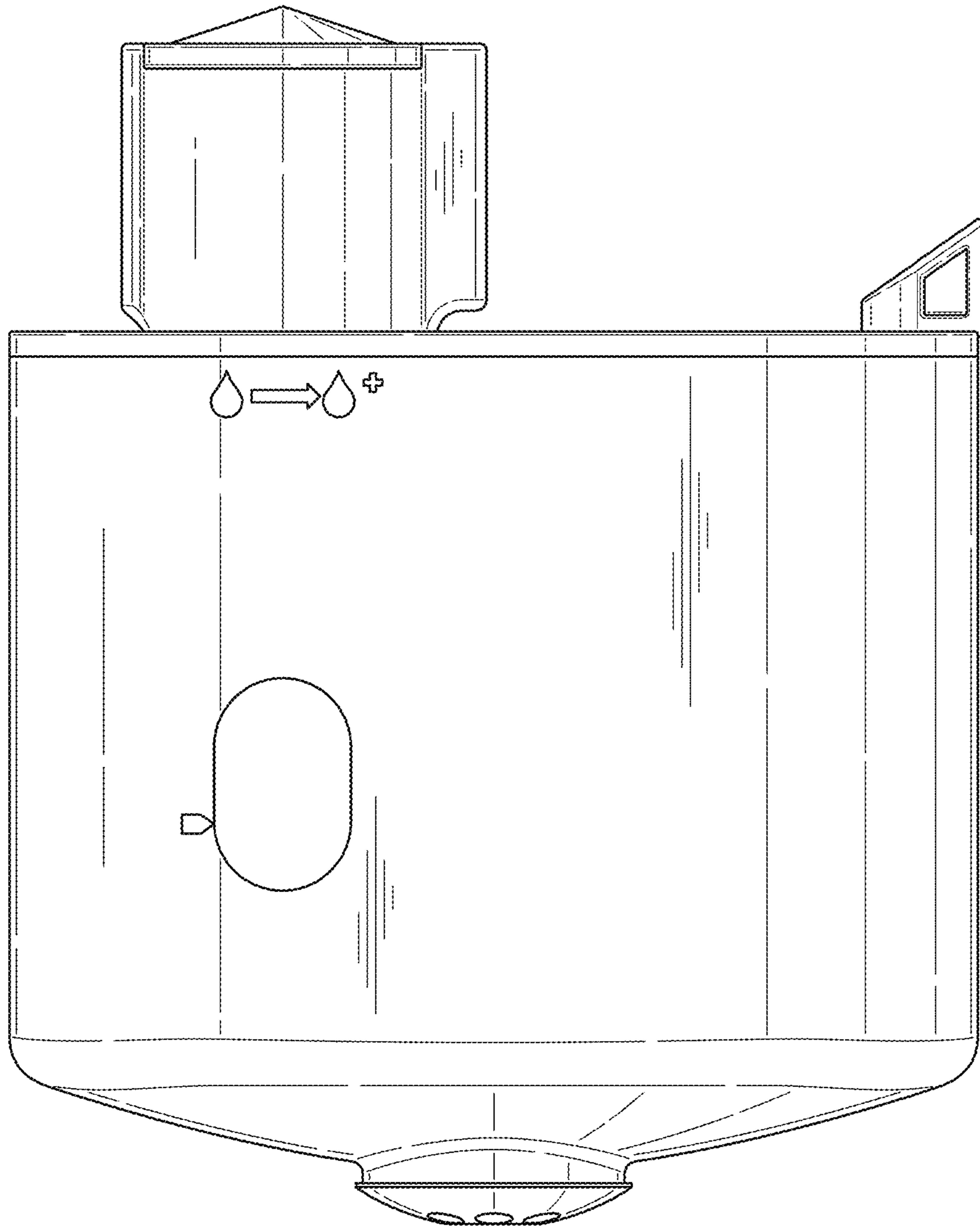


Fig. 2

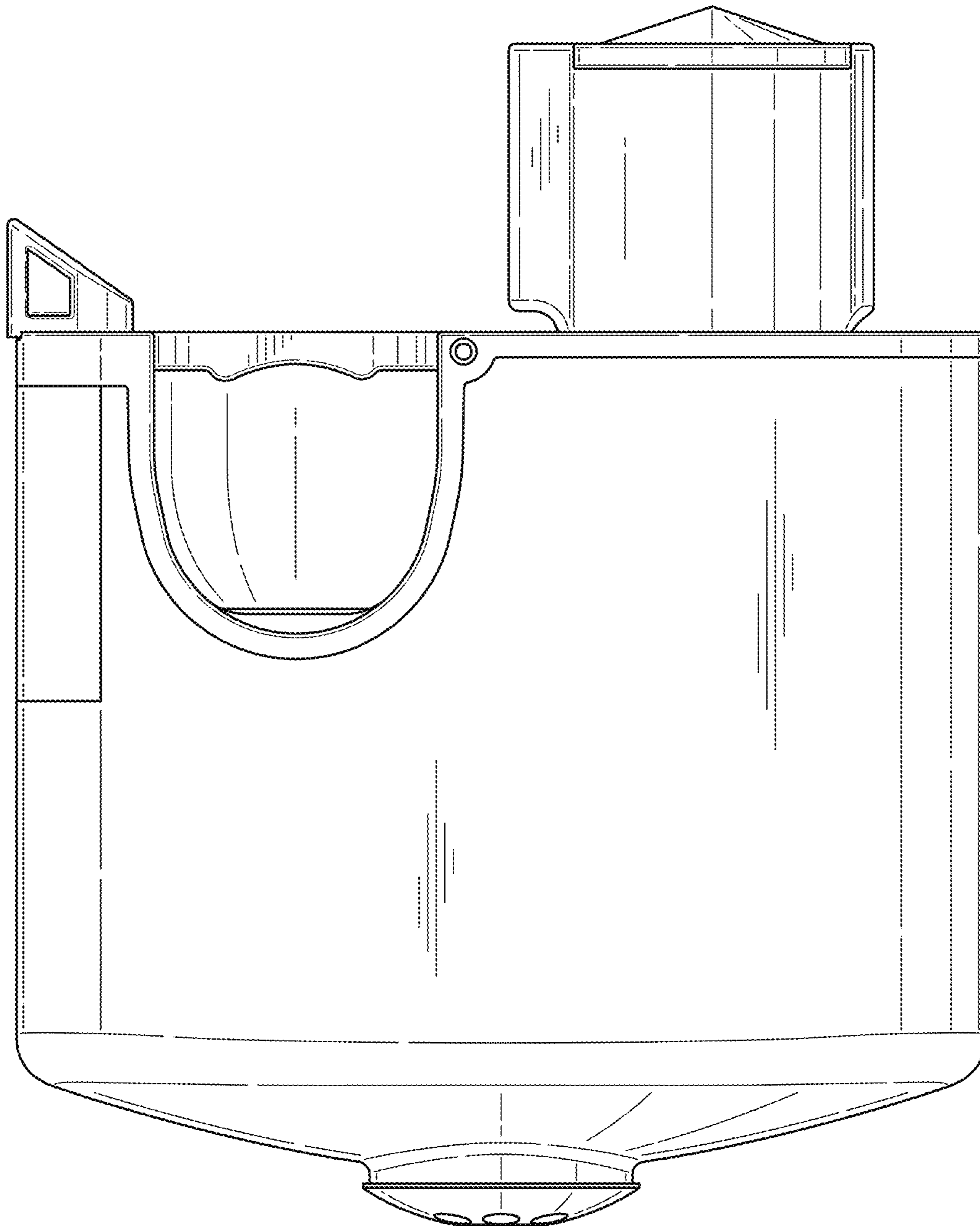


Fig. 3

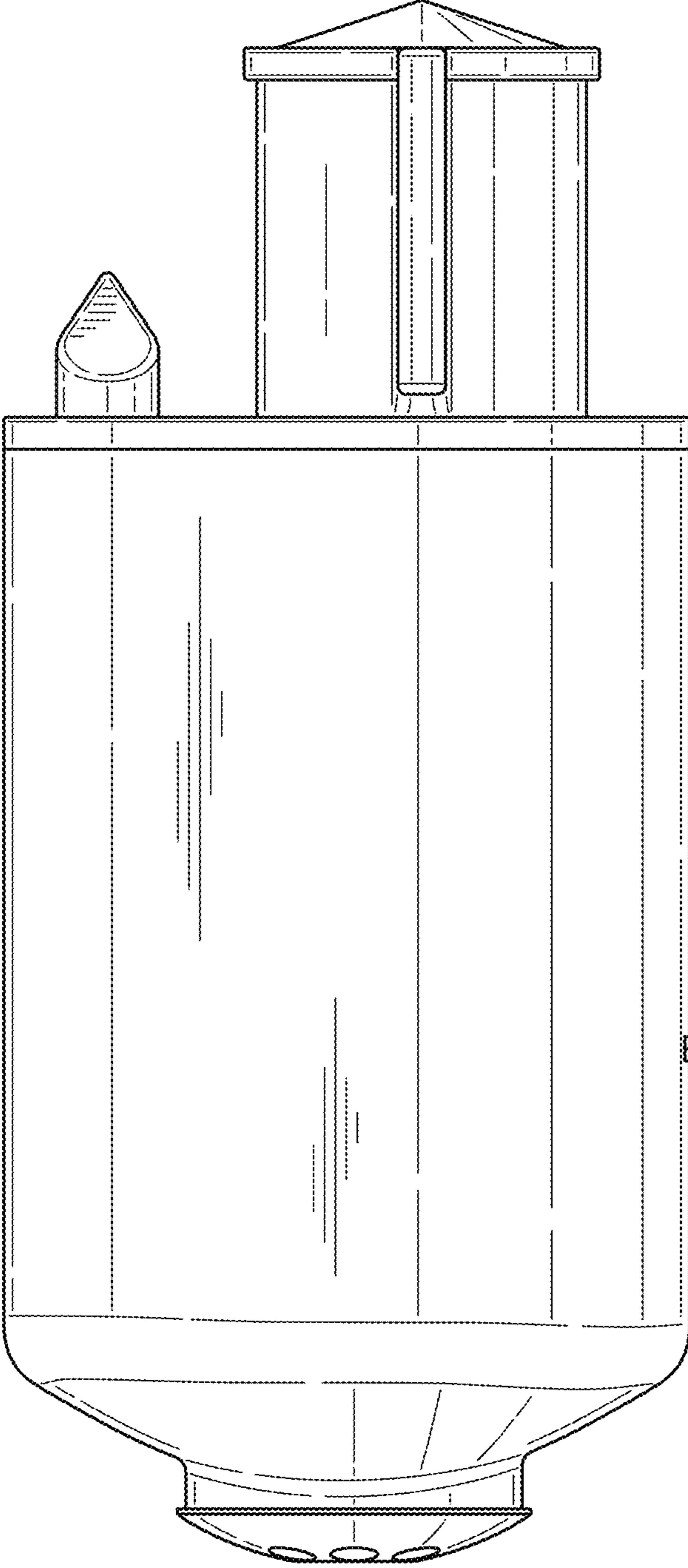


Fig. 4

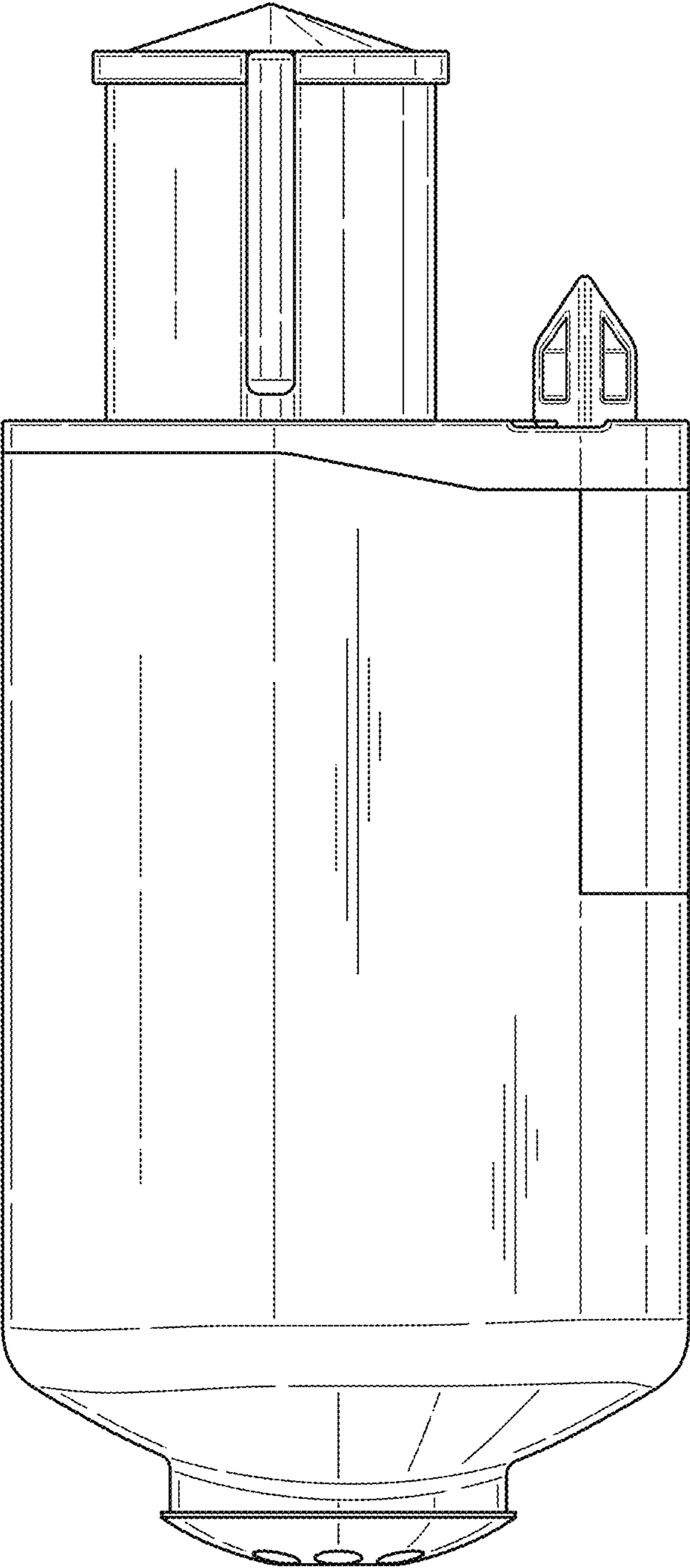


Fig. 5

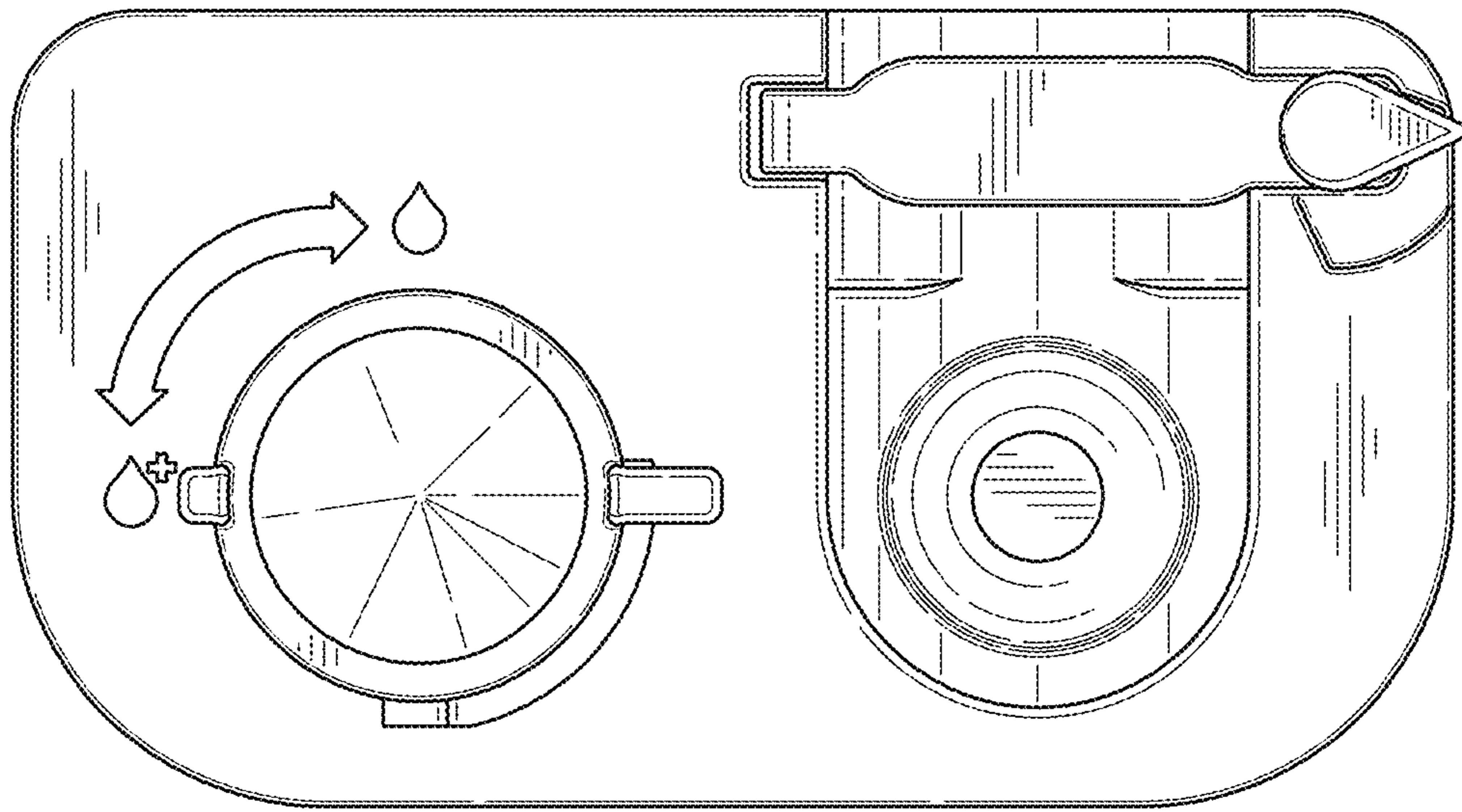


Fig. 6

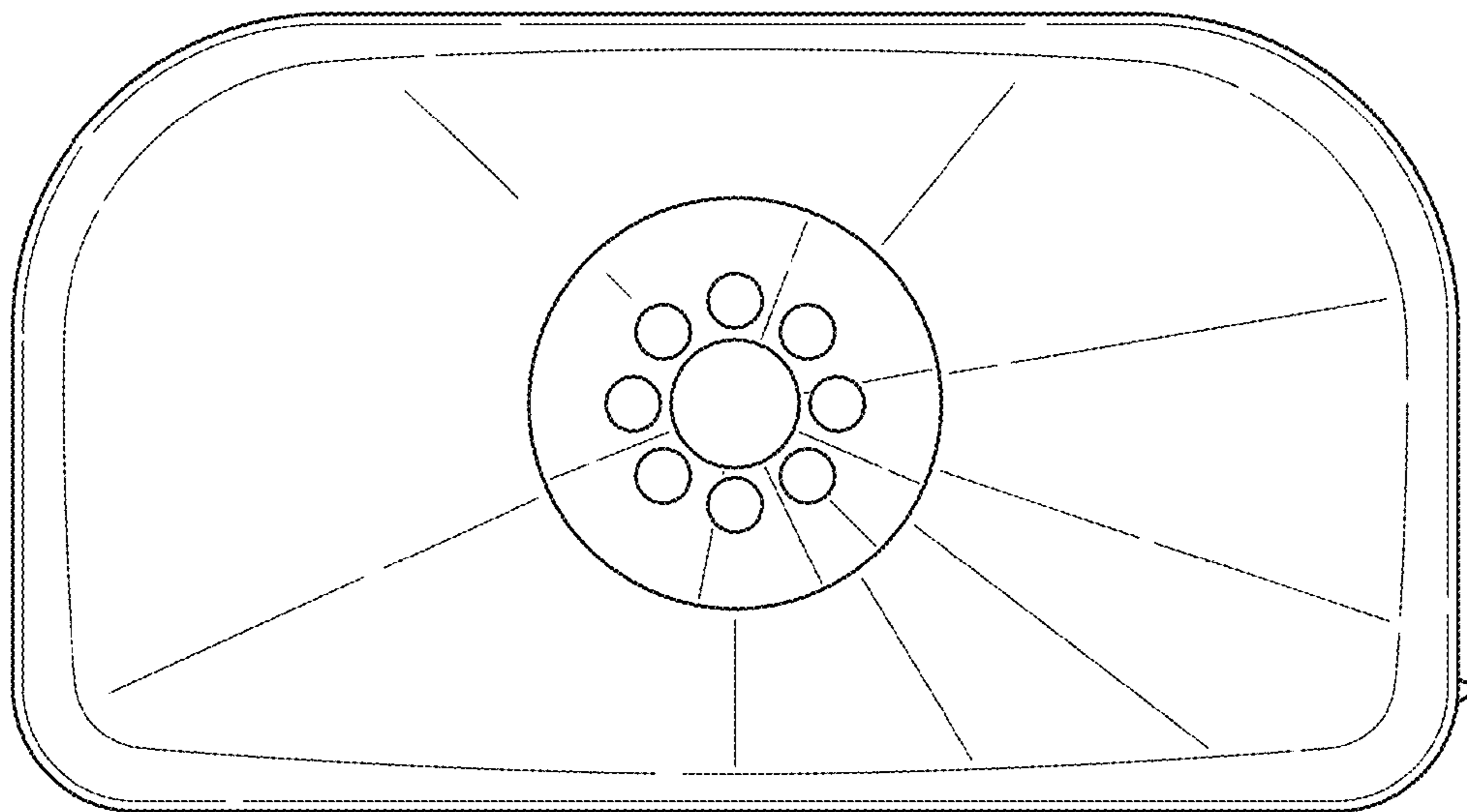


Fig. 7