



US00D769407S

(12) **United States Design Patent**
Lee et al.

(10) **Patent No.: US D769,407 S**
(45) **Date of Patent: ** Oct. 18, 2016**

(54) **WATER PURIFIER WITH ATTACHED COFFEE MACHINE**

(71) Applicant: **Osmosis System Group Limited**, Kwai Chung (HK)

(72) Inventors: **Gwon Gak Lee**, Seoul (KR); **Fumie Shibata**, Tokyo (JP)

(73) Assignee: **Osmosis System Goup Limited**, Kwai Chung (HK)

(**) Term: **15 Years**

(21) Appl. No.: **29/531,346**

(22) Filed: **Jun. 25, 2015**

(30) **Foreign Application Priority Data**

Dec. 26, 2014 (KR) 30-2014-0063504

(51) **LOC (10) Cl.** **23-01**

(52) **U.S. Cl.**
USPC **D23/207; D7/309**

(58) **Field of Classification Search**
USPC D23/207, 209; 210/241, 435, 140, 190, 210/191; 202/81, 83, 185.3; D7/300, 309; 99/280, 300
CPC C02F 1/42
See application file for complete search history.

(56) **References Cited**

U.S. PATENT DOCUMENTS

D200,843 S * 4/1965 Hausam D7/309
5,762,762 A * 6/1998 Breithaupt B01D 3/02
159/DIG. 1
D437,913 S * 2/2001 Adam D23/209
D486,880 S * 2/2004 Gracias D23/207

D541,097 S * 4/2007 Leverrier D7/300
D647,593 S * 10/2011 Choi D23/207
D669,154 S * 10/2012 Choi D23/207
D697,356 S * 1/2014 Choi D23/207
D707,791 S * 6/2014 Beghelli D23/207
D717,911 S * 11/2014 Moon D23/207
D718,413 S * 11/2014 Choi D23/207

* cited by examiner

Primary Examiner — Robin V Webster

(74) *Attorney, Agent, or Firm* — KORUS Patent, LLC;
Seong Il Jeong

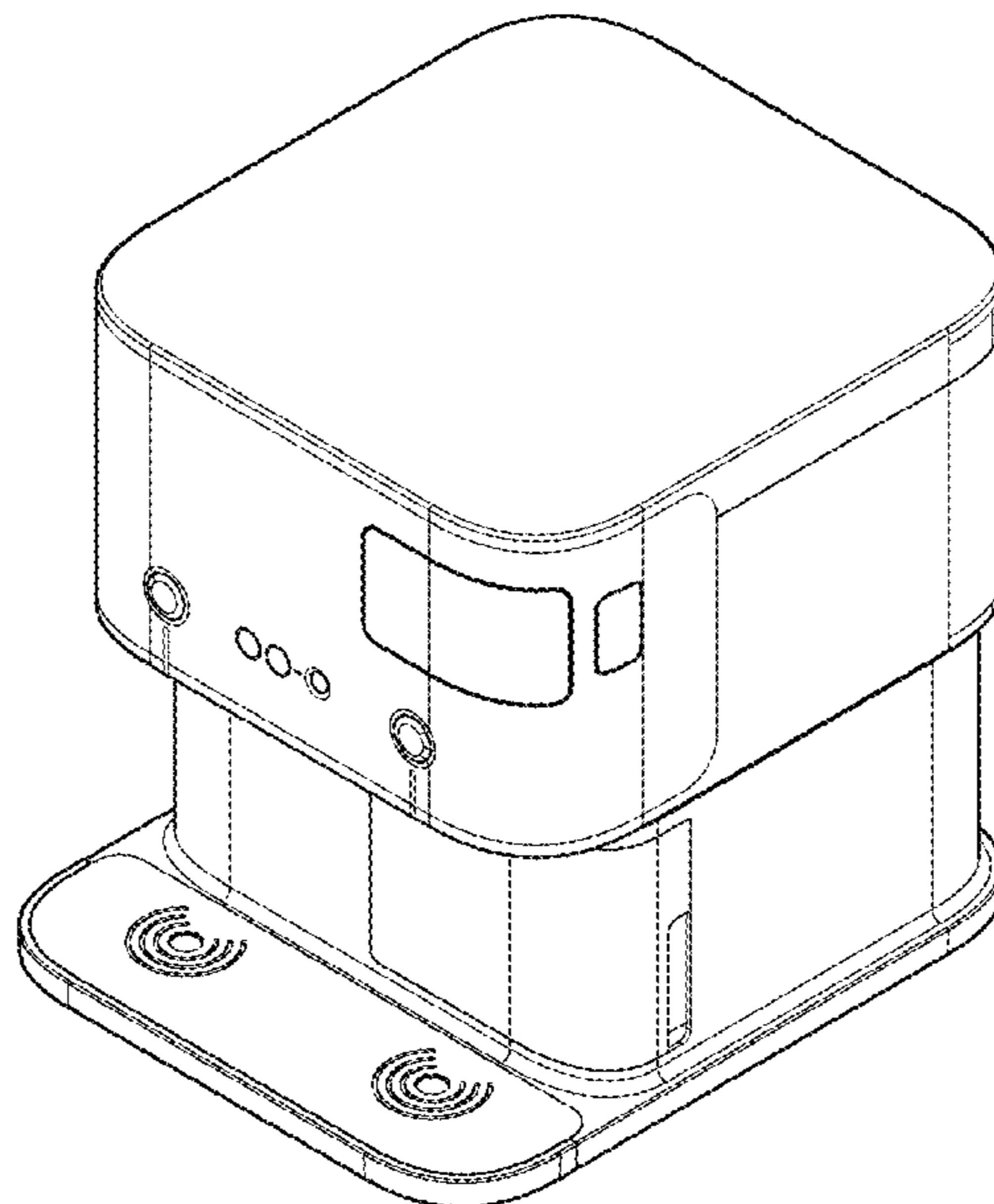
(57) **CLAIM**

The ornamental design for a water purifier with attached coffee machine, as shown and described.

DESCRIPTION

FIG. 1 is a front, side perspective view of a water purifier with attached coffee machine;
FIG. 2 is a front elevation view thereof;
FIG. 3 is a rear elevation view thereof;
FIG. 4 is a left side view thereof;
FIG. 5 is a right side view thereof;
FIG. 6 is a top plan view thereof; and,
FIG. 7 is a bottom plan view thereof.

1 Claim, 7 Drawing Sheets



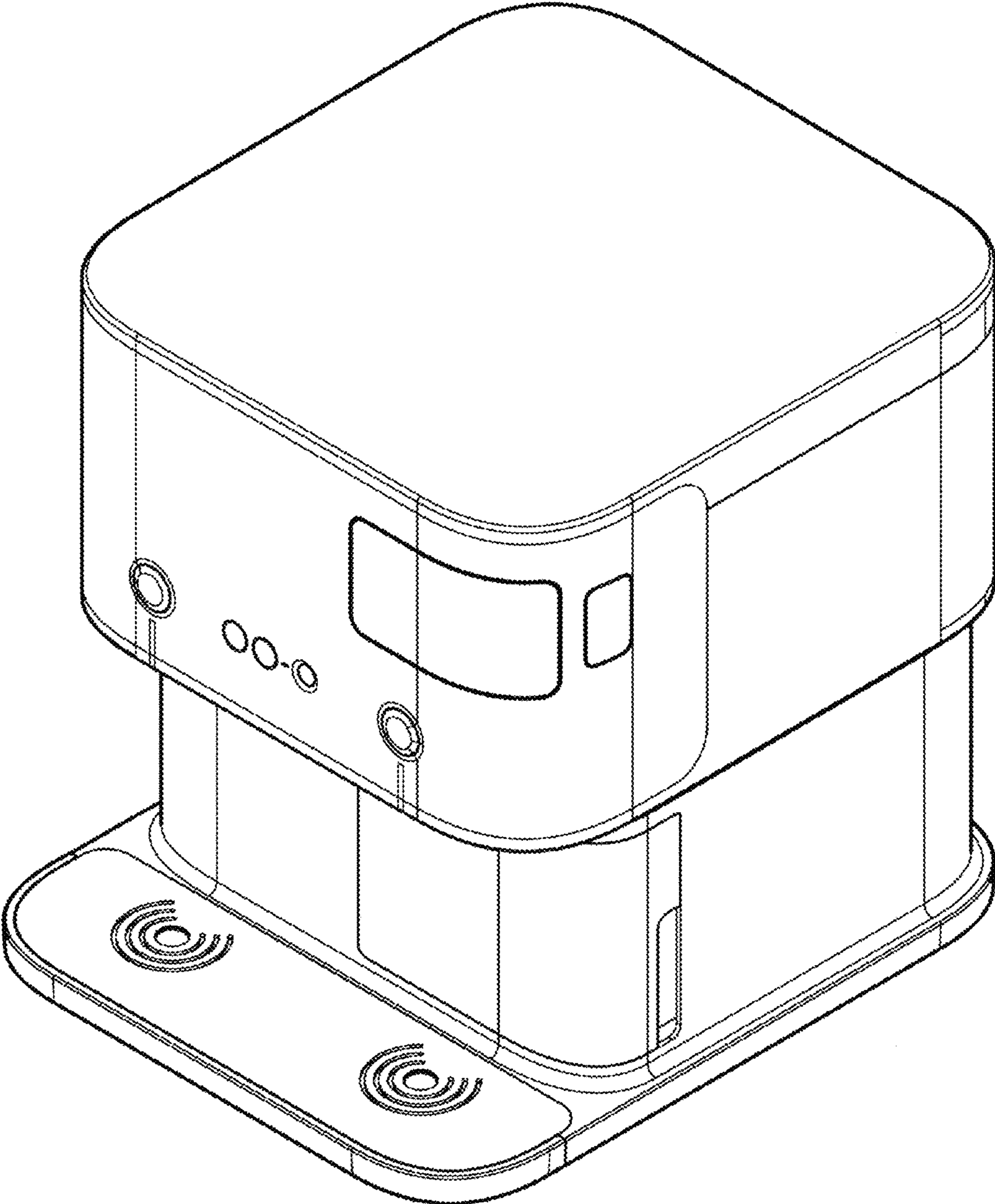


FIG. 1

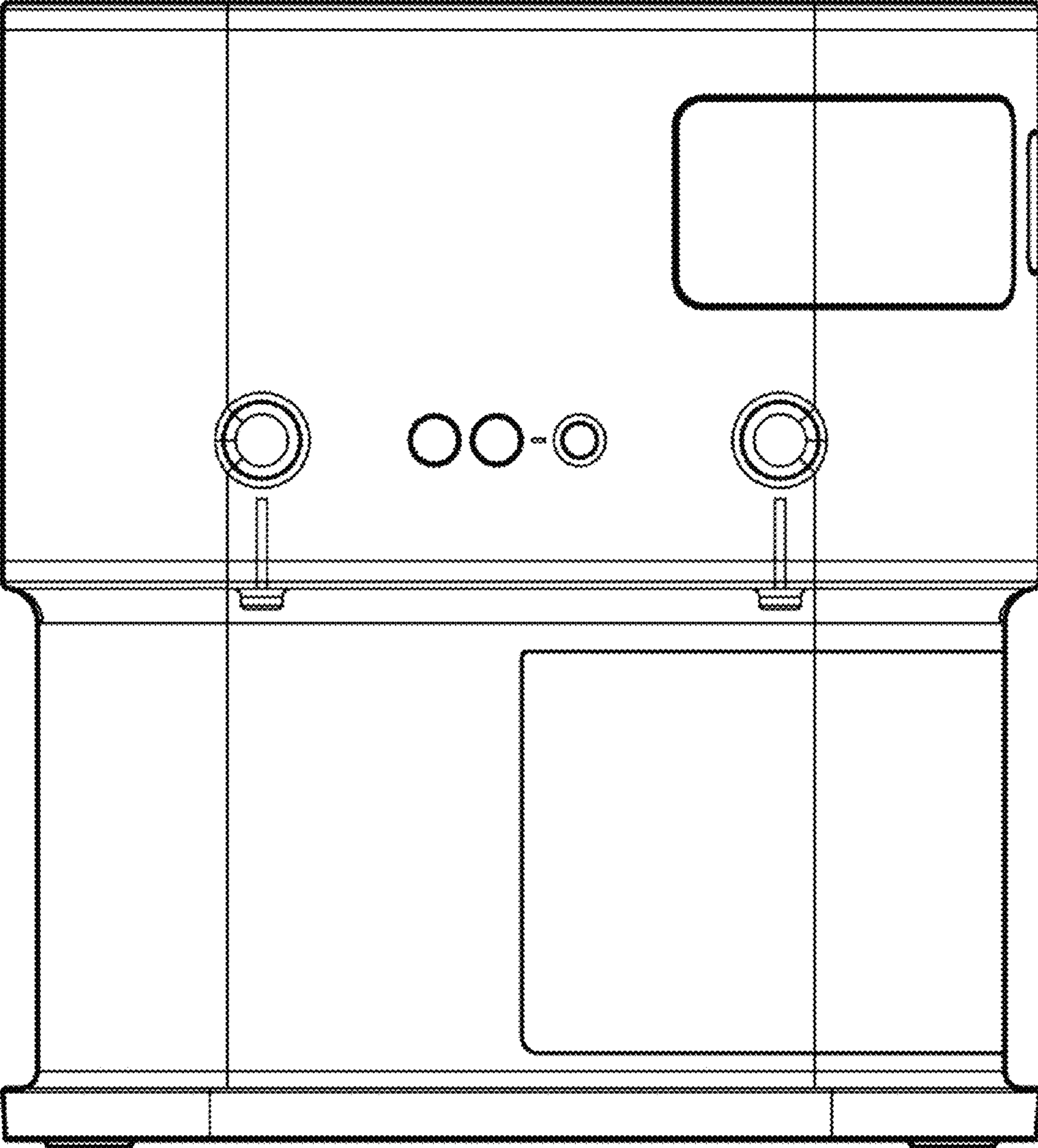


FIG. 2

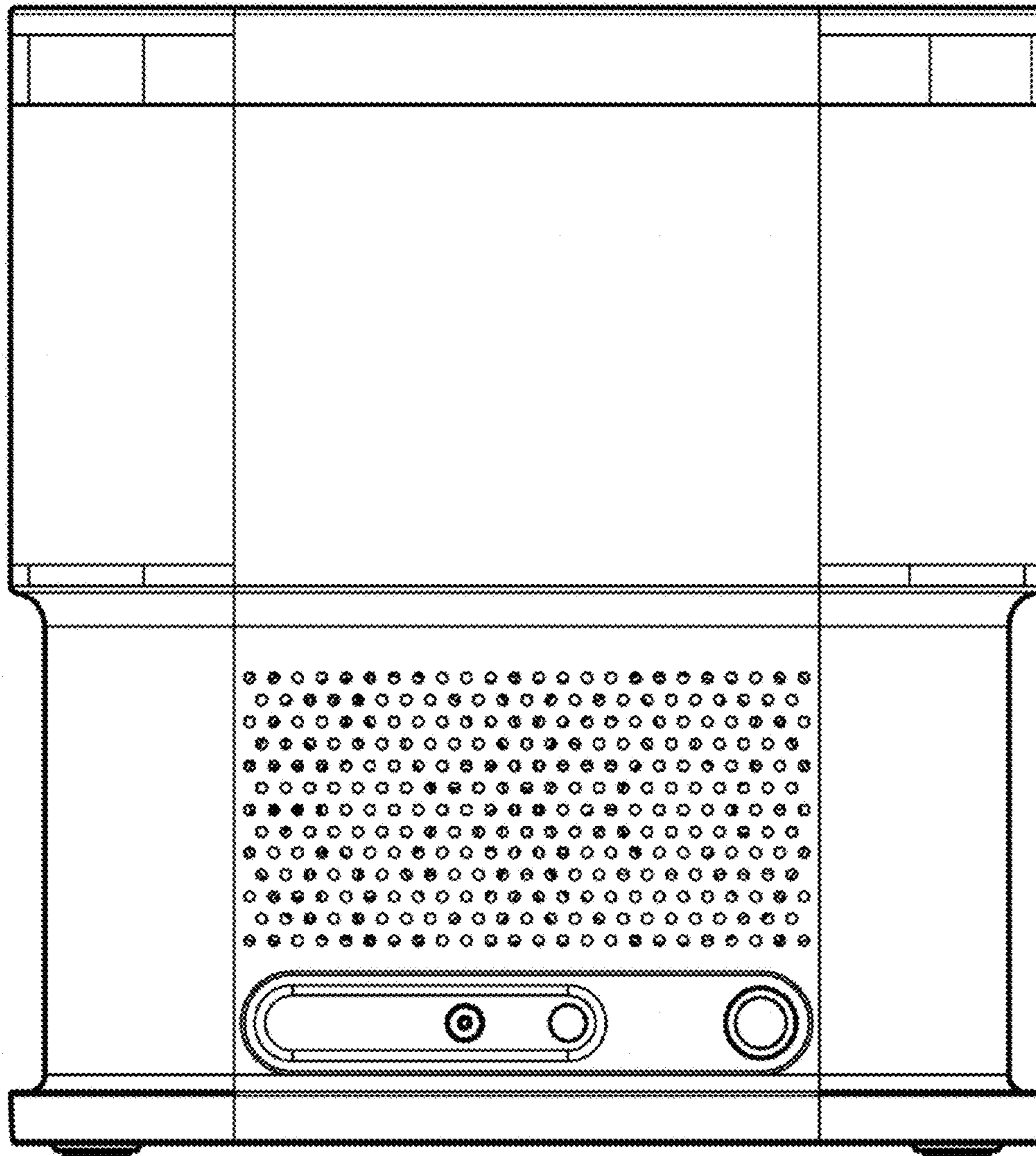


FIG. 3

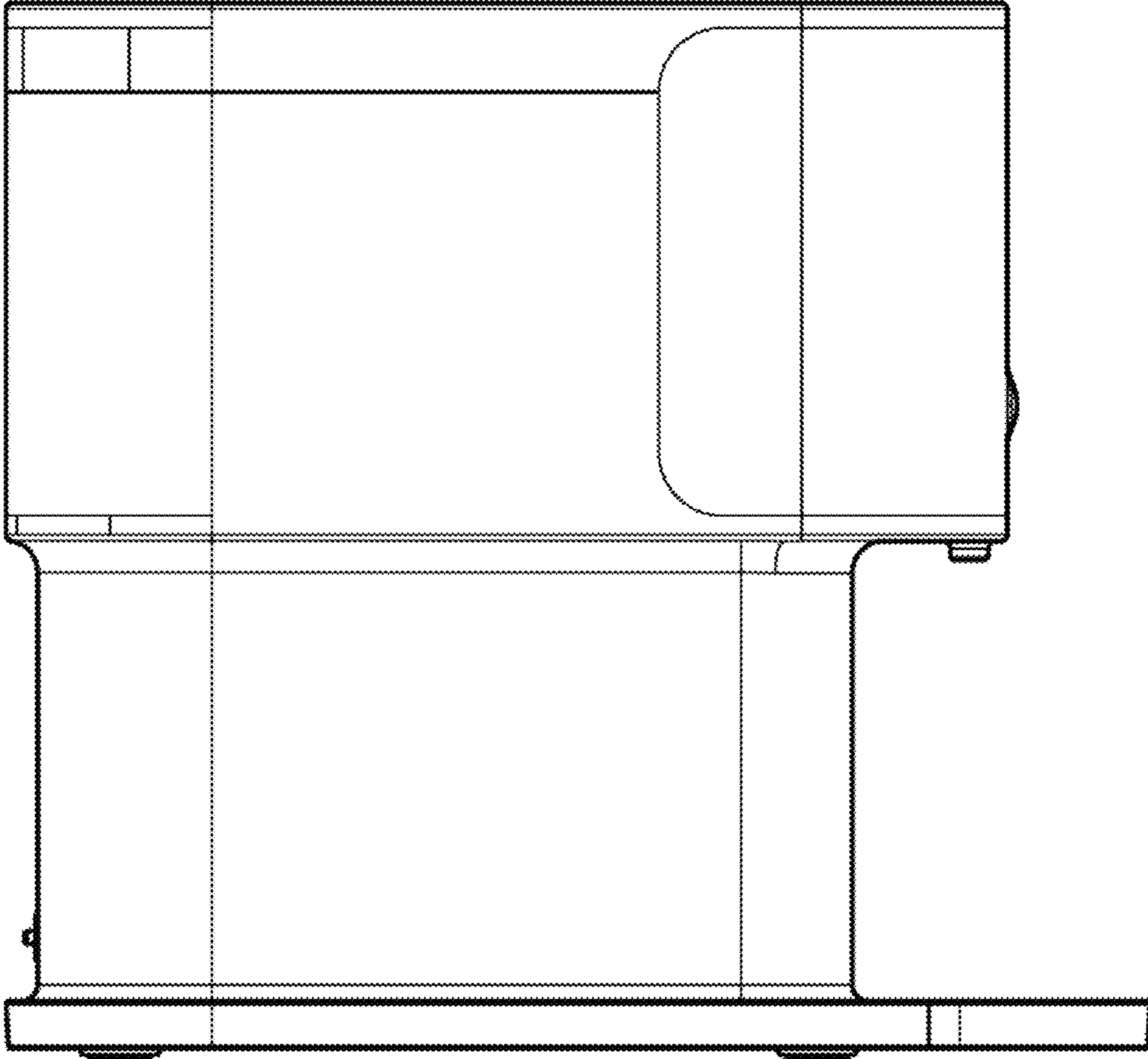


FIG. 4

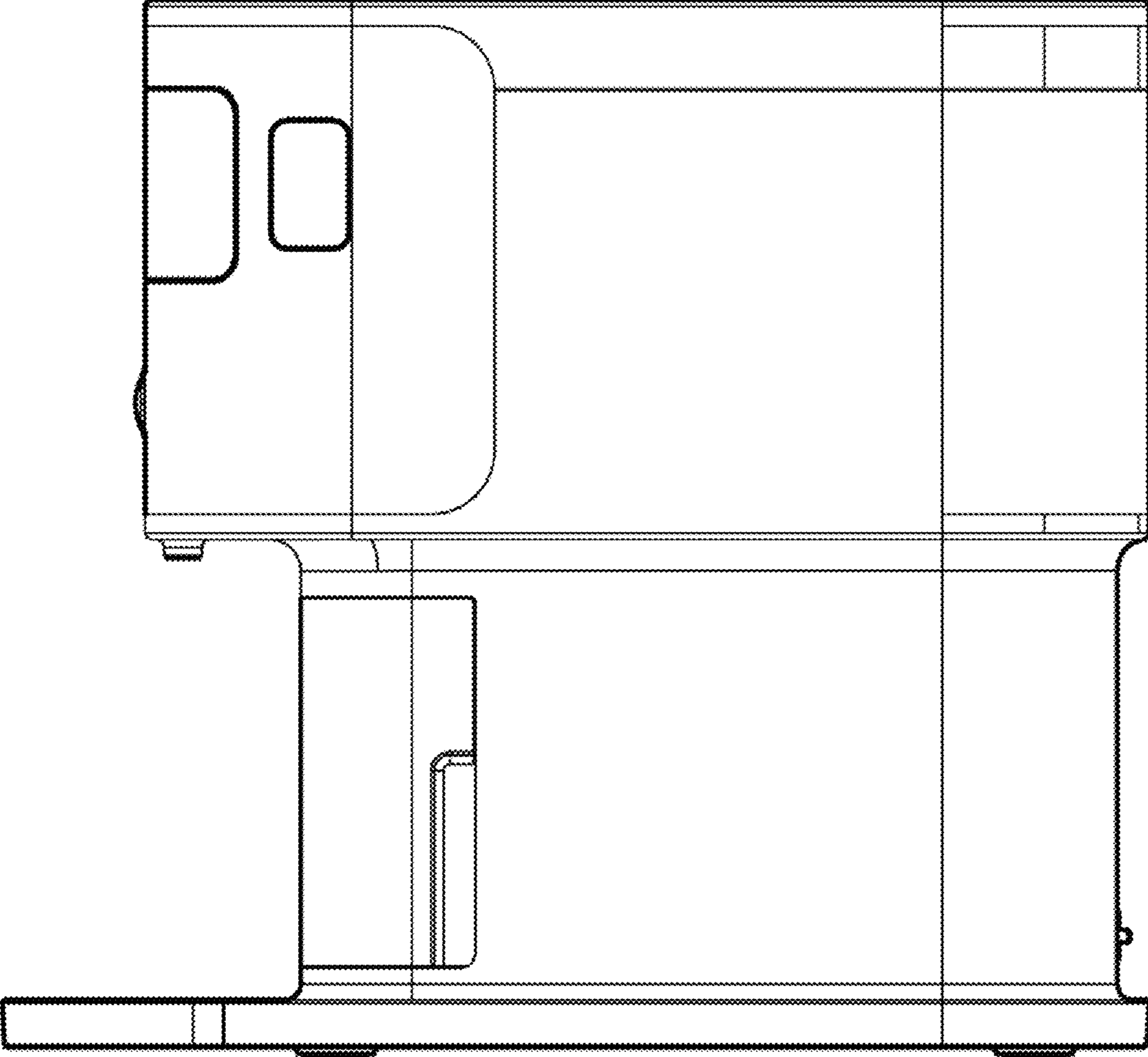


FIG. 5

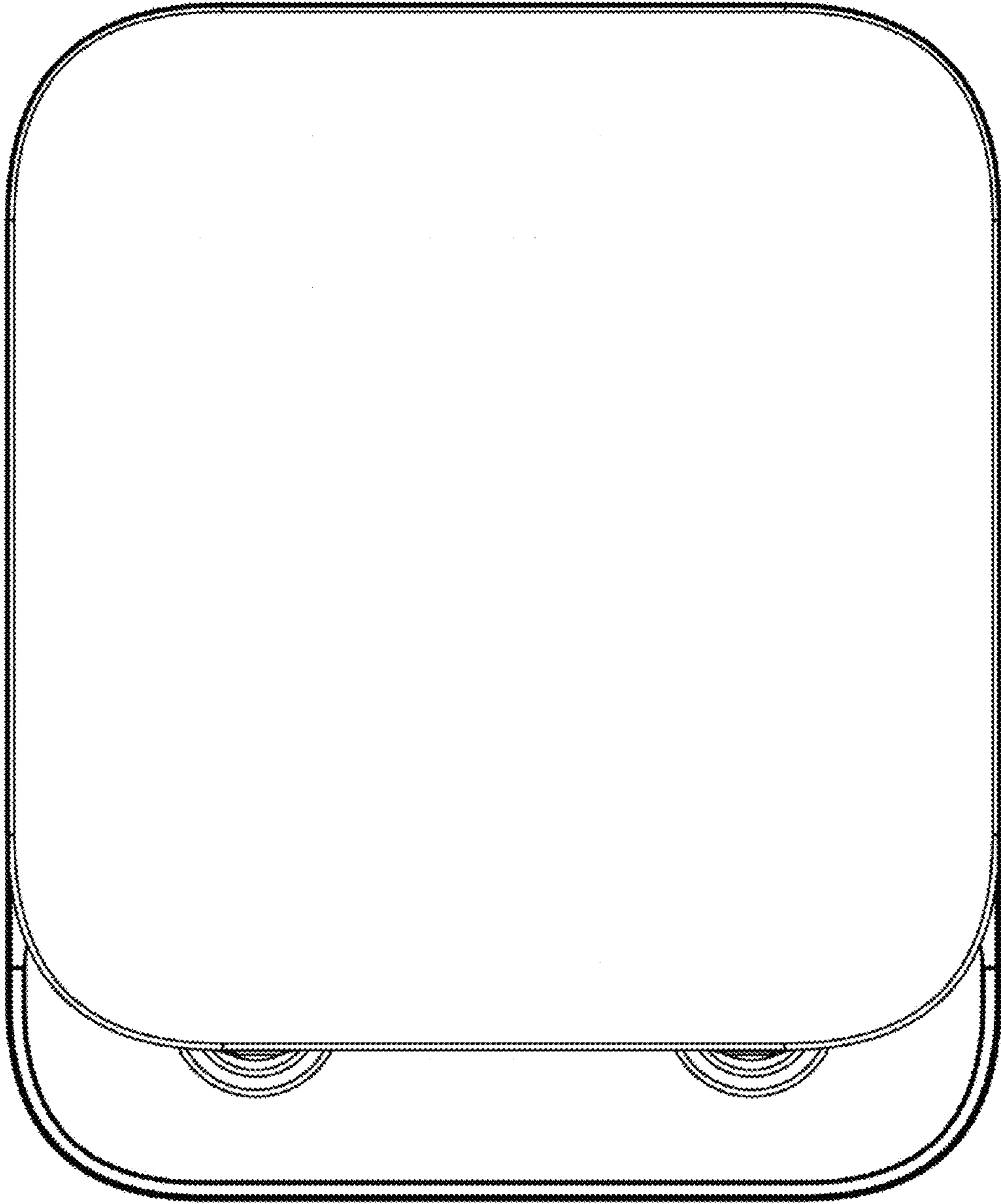


FIG. 6

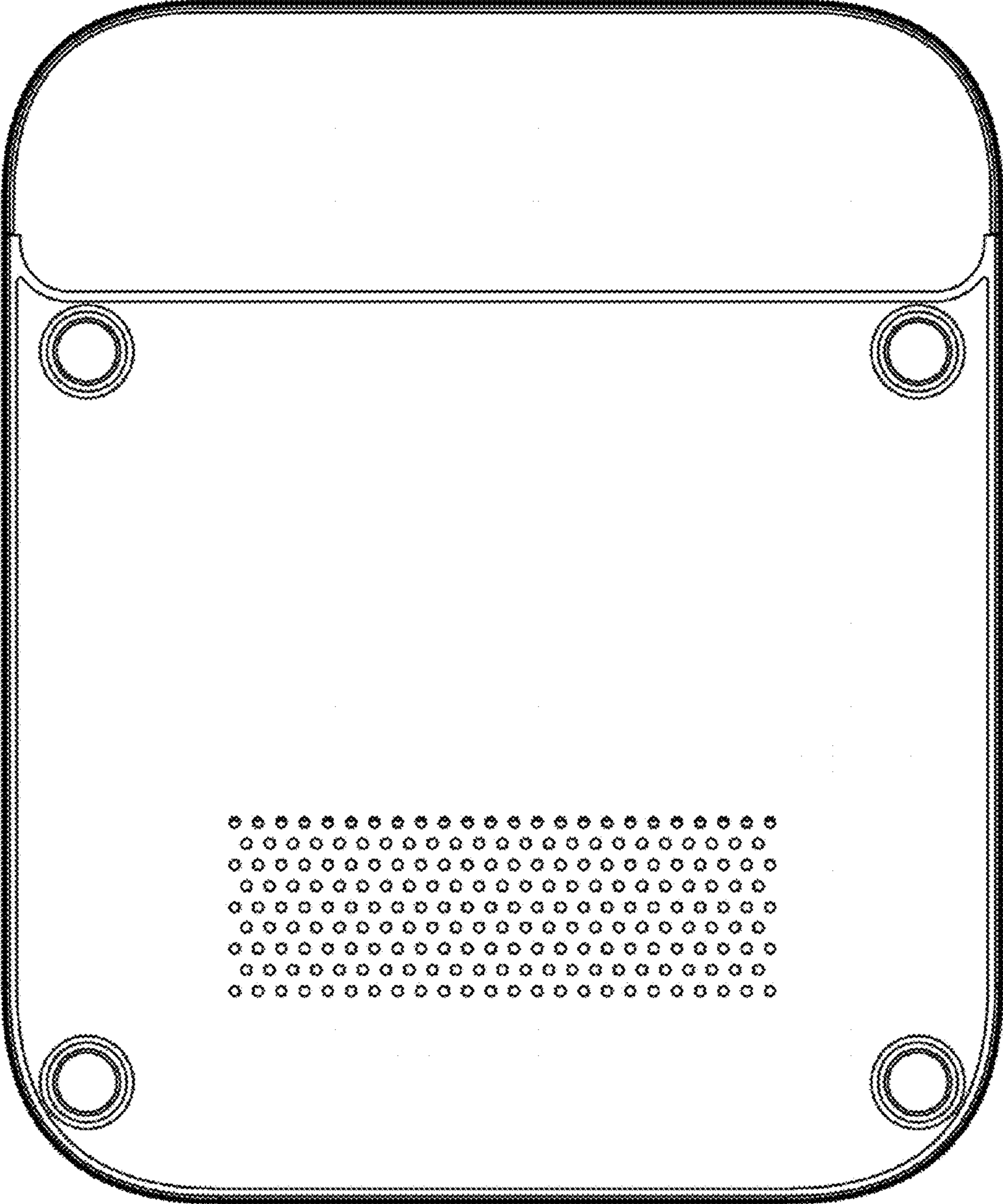


FIG. 7