



US00D769406S

(12) **United States Design Patent**
Schoenike

(10) **Patent No.:** **US D769,406 S**
(45) **Date of Patent:** **** Oct. 18, 2016**

- (54) **INSERT FOR FISHING FLOAT OR STRIKE INDICATOR**
- (71) Applicant: **Larry Schoenike**, Sun Valley, ID (US)
- (72) Inventor: **Larry Schoenike**, Sun Valley, ID (US)
- (**) Term: **14 Years**
- (21) Appl. No.: **29/514,759**
- (22) Filed: **Jan. 15, 2015**
- (51) **LOC (10) Cl.** **22-05**
- (52) **U.S. Cl.**
USPC **D22/146**
- (58) **Field of Classification Search**
USPC D22/146, 145, 199; D21/464; 43/44.87,
43/44.89, 44.9; 206/315.11, 373, 542
CPC A01K 95/00; A01K 97/01; A01K 97/05;
A01K 97/12; A01K 89/08; B25H 3/06
See application file for complete search history.

(56) **References Cited**
U.S. PATENT DOCUMENTS

231,417 A	8/1880	Foote
441,447 A	11/1890	Stahl
822,694 A	6/1906	Shepherd
971,420 A	9/1910	Tannert
1,193,912 A	8/1916	Maire et al.
1,480,655 A	1/1924	Bennett
1,618,100 A	2/1927	Lowry
1,848,600 A	3/1932	Best
1,883,574 A	10/1932	Cleeland
D107,418 S	12/1937	Ganaway

(Continued)

OTHER PUBLICATIONS

Packaging and instructions for Frog Hair® strike indicators, 2004.

(Continued)

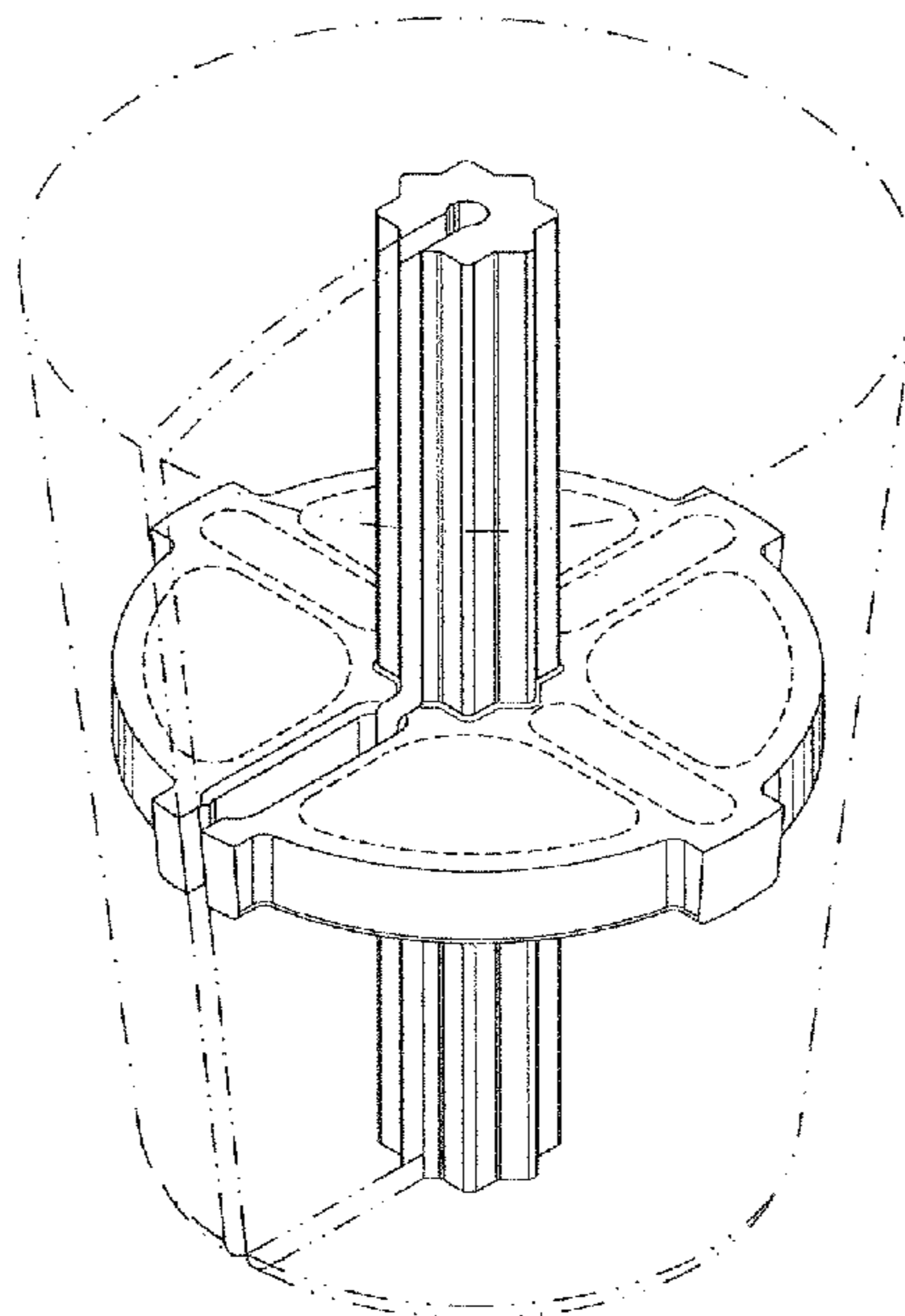
Primary Examiner — Catheri Oliver-Garcia
(74) *Attorney, Agent, or Firm* — Pedersen and Company, PLLC; Ken J. Pedersen; Barbara S. Pedersen

(57) **CLAIM**
The ornamental design for an insert for fishing float or strike indicator, as shown and described.

DESCRIPTION

FIG. 1 is a perspective view of the invented design for an insert for fishing float or strike indicator.
 FIG. 2 is a top view of the design of FIG. 1.
 FIG. 3 is a front view of the design of FIG. 1.
 FIG. 4 is a rear view of the design of FIG. 1, with the right side view, and left side view of the design being the same as FIG. 4.
 FIG. 5 is a side view of the design of FIG. 1, viewed from either of the positions of 135 degrees right or 135 degrees left from the front view of FIG. 1.
 FIG. 6 is a bottom view of the design of FIG. 1.
 FIG. 7 is a perspective view of another embodiment of the invented design for an insert for fishing float or strike indicator.
 FIG. 8 is a top view of the design of FIG. 7.
 FIG. 9 is a front view of the design of FIG. 7, with the rear view, right side view, and left side view of the insert being the same as FIG. 4.
 FIG. 10 is a side view of the design of FIG. 7, viewed from either of the positions of 135 degrees right or 135 degrees left from the front view of FIG. 7; and,
 FIG. 11 is a bottom view of the design of FIG. 7.
 The broken line areas of the figures show environmental matter and form no part of the claimed design.

1 Claim, 4 Drawing Sheets



(56)

References Cited

U.S. PATENT DOCUMENTS

2,184,187 A 12/1939 Hildebrandt
 2,186,281 A 1/1940 Cochran
 2,315,322 A 3/1943 Fenley
 2,591,558 A 4/1952 Kramer
 2,599,973 A 6/1952 Bujaky
 2,693,049 A 11/1954 Atton
 2,713,742 A 7/1955 Holdaway
 2,754,616 A 7/1956 Law
 2,860,443 A 11/1958 Robinson
 2,883,785 A 4/1959 Croft
 2,984,931 A 5/1961 Shaw
 3,029,544 A 4/1962 Dimatteo
 3,104,488 A 9/1963 Hicks
 3,192,662 A 7/1965 Hoyle
 3,404,482 A 10/1968 Maske
 3,453,769 A 7/1969 Chandler
 3,464,140 A 9/1969 Carabasse
 3,701,212 A 10/1972 Gilliam
 3,717,907 A 2/1973 Klein
 3,751,845 A * 8/1973 van Leeuwen A01K 97/05
 206/542
 3,758,979 A 9/1973 Martuch et al.
 3,782,025 A 1/1974 Kochevar
 3,831,309 A 8/1974 Martuch
 3,834,061 A 9/1974 Klein
 3,857,645 A 12/1974 Klein
 3,864,865 A 2/1975 Swisher
 3,871,123 A 3/1975 Olson
 3,885,339 A 5/1975 Herkner
 4,048,744 A 9/1977 Chandler
 4,117,619 A 10/1978 Stevenson
 4,145,833 A 3/1979 Ratte
 4,205,477 A 6/1980 Fajt
 4,359,836 A 11/1982 Yuji
 4,459,775 A 7/1984 Ratte
 4,563,831 A 1/1986 Gibney
 4,604,821 A 8/1986 Moser
 4,796,377 A 1/1989 Hosegood et al.
 4,823,495 A 4/1989 Camilleri
 4,864,767 A 9/1989 Drosdak
 5,014,459 A 5/1991 Sublet
 5,042,190 A 8/1991 Calvin
 D327,111 S * 6/1992 Hemming D22/134
 5,157,860 A 10/1992 Clark
 5,165,195 A 11/1992 Matsui
 5,216,831 A 6/1993 Halterman
 5,239,770 A 8/1993 Kohus
 5,279,066 A 1/1994 Camera

5,377,444 A 1/1995 Gibney
 5,388,368 A 2/1995 Lawrence
 5,459,959 A 10/1995 Paradis
 5,469,652 A 11/1995 Drosdak
 5,678,351 A 10/1997 Halterman
 5,718,077 A 2/1998 Meinel
 5,758,451 A 6/1998 Wolfe
 5,836,446 A * 11/1998 Varnom B25H 3/06
 206/373
 5,845,430 A 12/1998 Nakano et al.
 5,887,378 A 3/1999 Rhoten
 6,009,659 A 1/2000 Shannon et al.
 6,125,574 A 10/2000 Ganaja et al.
 6,170,192 B1 1/2001 Nakano et al.
 6,254,055 B1 * 7/2001 Lamberson, Jr. A01K 97/10
 206/315.11
 6,421,950 B1 7/2002 Constantin
 D462,413 S 9/2002 Teegarden
 6,745,511 B1 6/2004 Falconer
 6,880,289 B1 4/2005 Yin
 6,910,296 B2 6/2005 Blette et al.
 7,003,911 B2 2/2006 Schoenike
 7,475,510 B2 1/2009 Franklin
 7,490,433 B2 2/2009 Schoenike
 7,494,162 B1 2/2009 Howell
 7,610,715 B2 11/2009 Cowin
 7,614,179 B2 11/2009 Kavanaugh
 7,877,924 B2 2/2011 Schoenike
 7,921,592 B2 * 4/2011 Carelock A01K 89/08
 43/16
 8,720,105 B2 5/2014 Schoenike
 8,898,950 B1 * 12/2014 West A01K 97/12
 43/16
 2002/0095853 A1 7/2002 Teegarden
 2003/0041502 A1 3/2003 Mauri et al.
 2004/0250463 A1 12/2004 Haines
 2005/0022441 A1 2/2005 Blette et al.
 2005/0028426 A1 2/2005 Blette et al.
 2005/0034356 A1 2/2005 Blette et al.
 2005/0039376 A1 2/2005 Blette et al.
 2006/0130389 A1 6/2006 Annelin
 2009/0013585 A1 1/2009 Acworth et al.
 2009/0049735 A1 2/2009 Westover
 2009/0056197 A1 3/2009 Schoenike
 2015/0013211 A1 1/2015 Schoenike

OTHER PUBLICATIONS

Notice of References in U.S. Appl. No. 13/019,296, filed Jun. 26, 2013, 10 pages, Applicant: Schoenike.

* cited by examiner

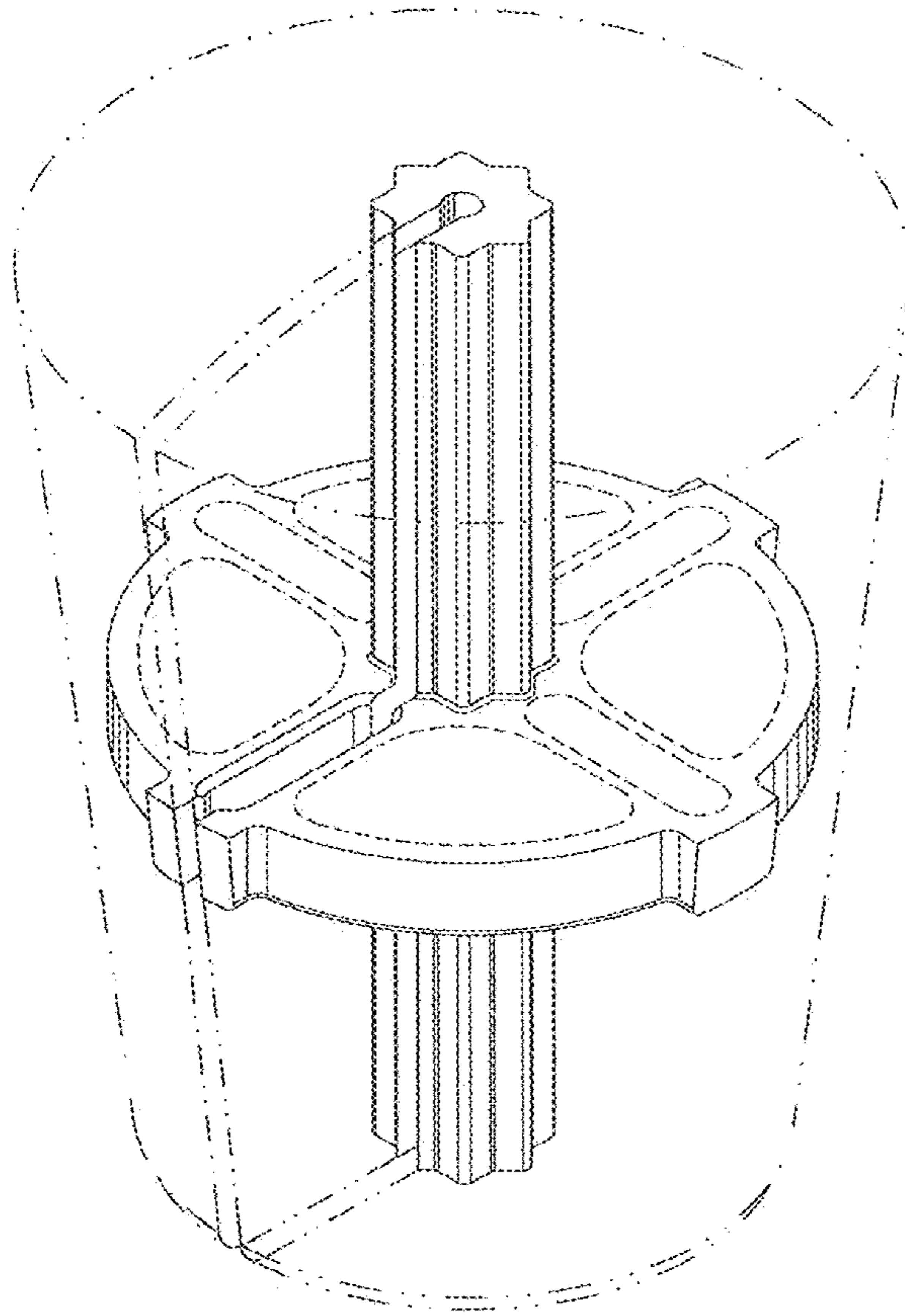


FIG. 1

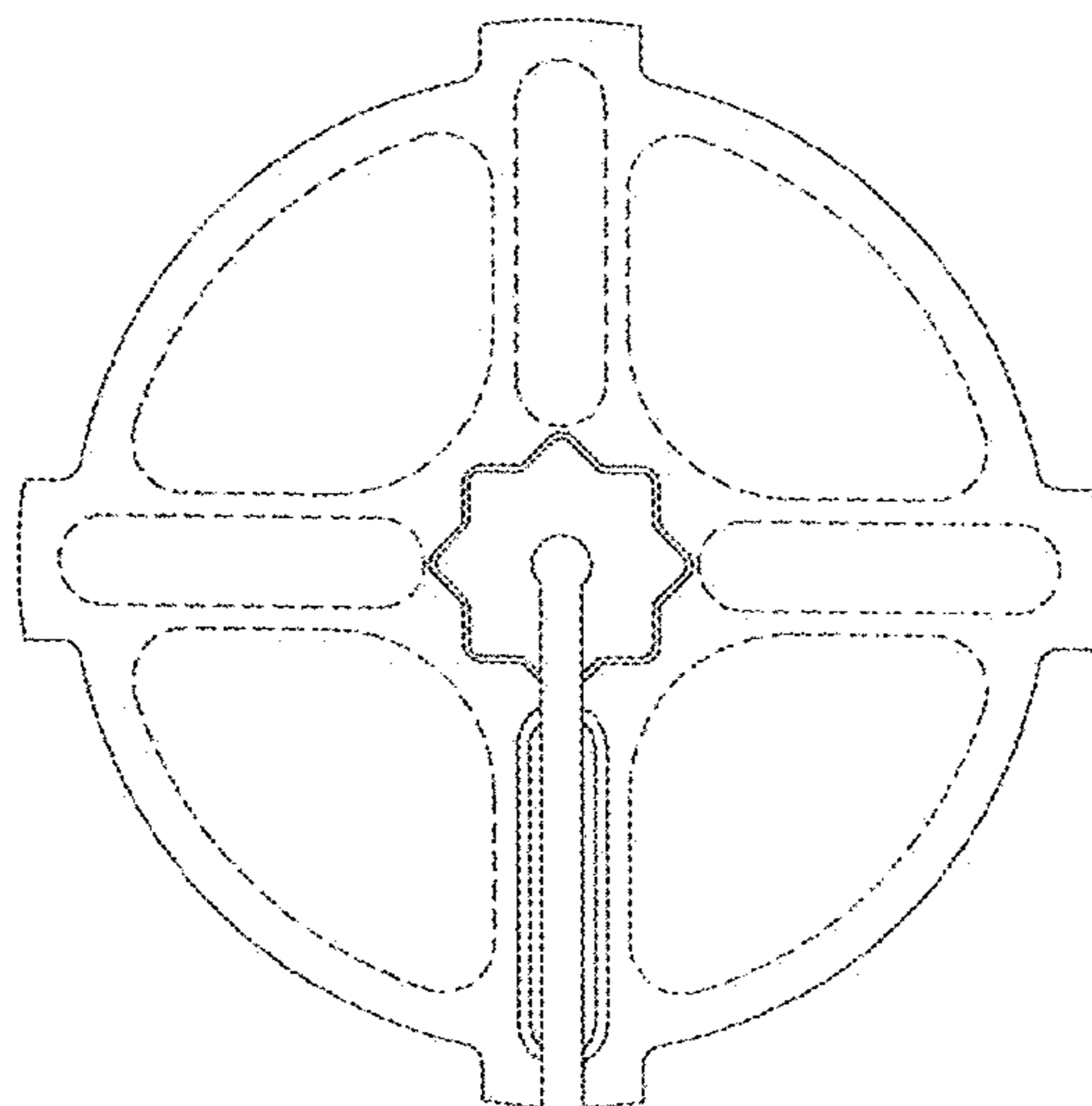


FIG. 2

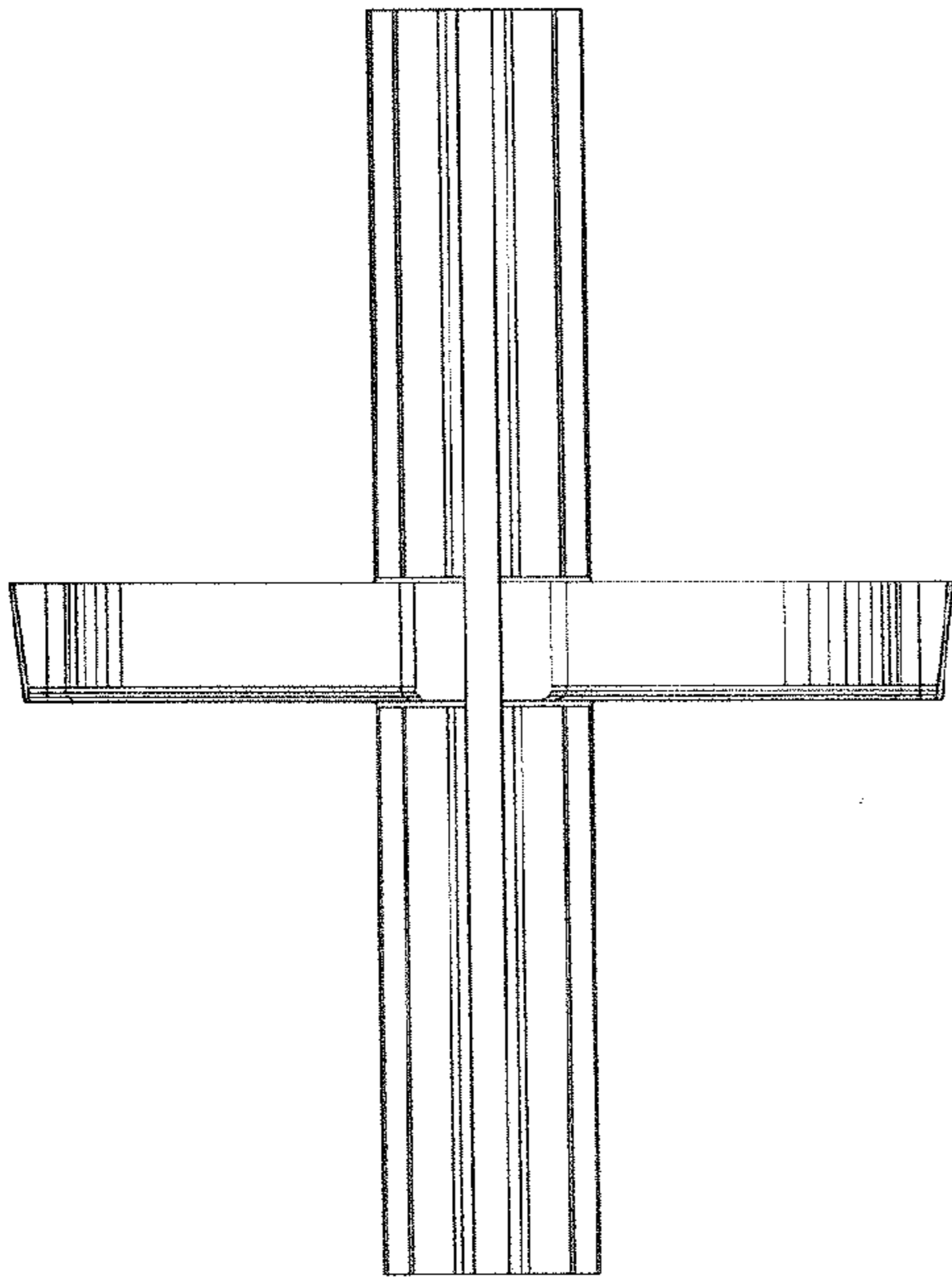


FIG. 3

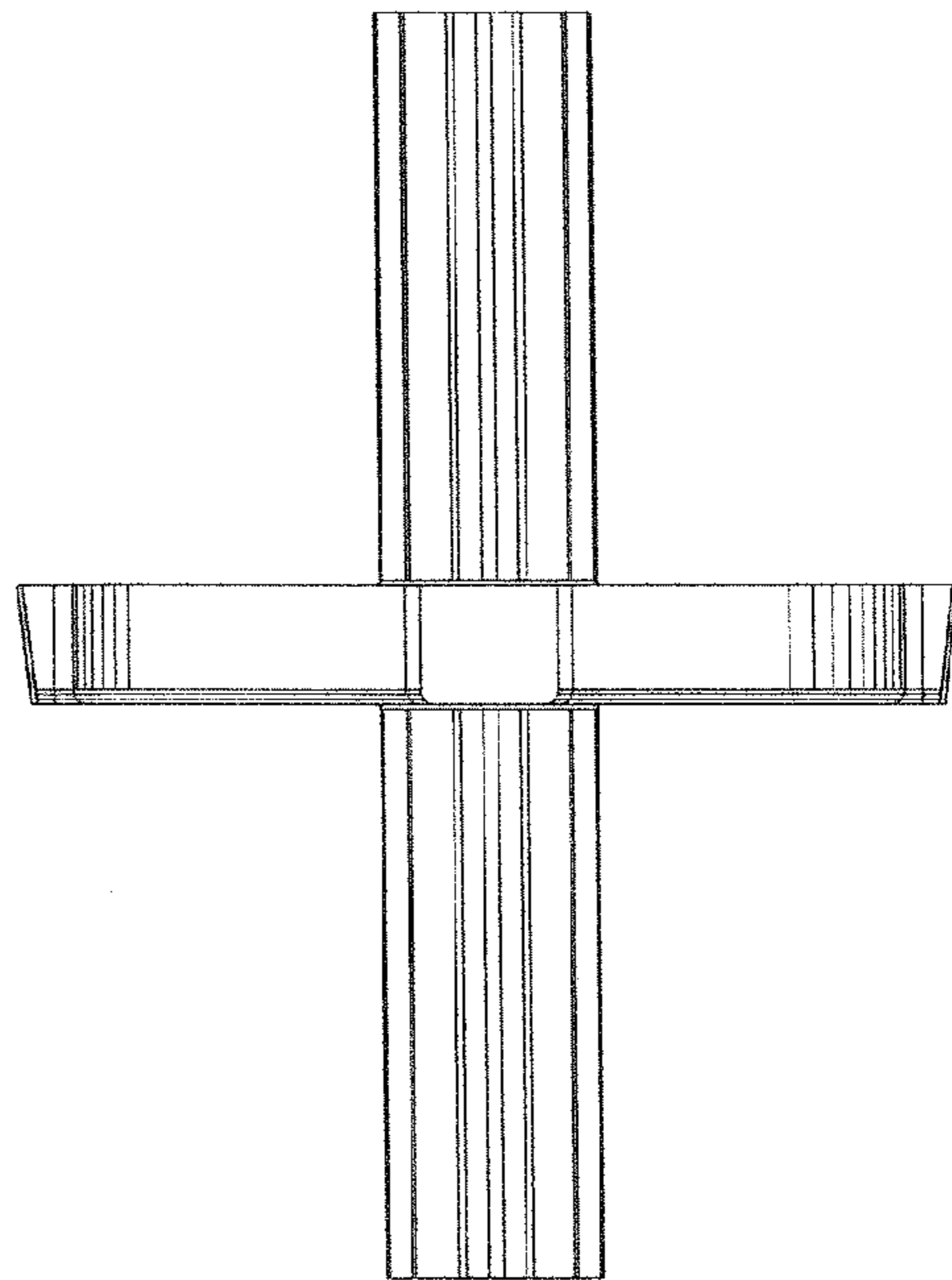


FIG. 4

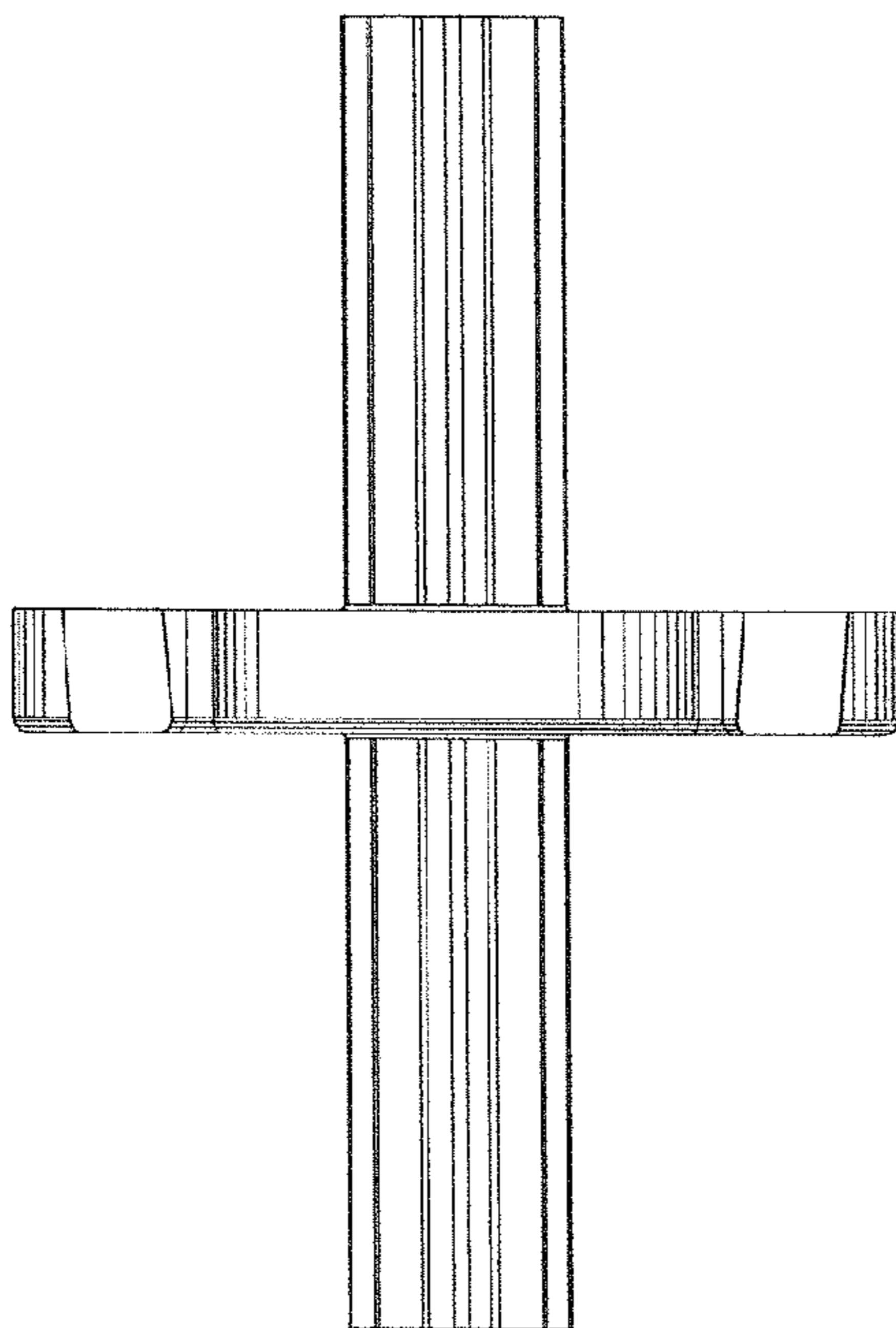


FIG. 5

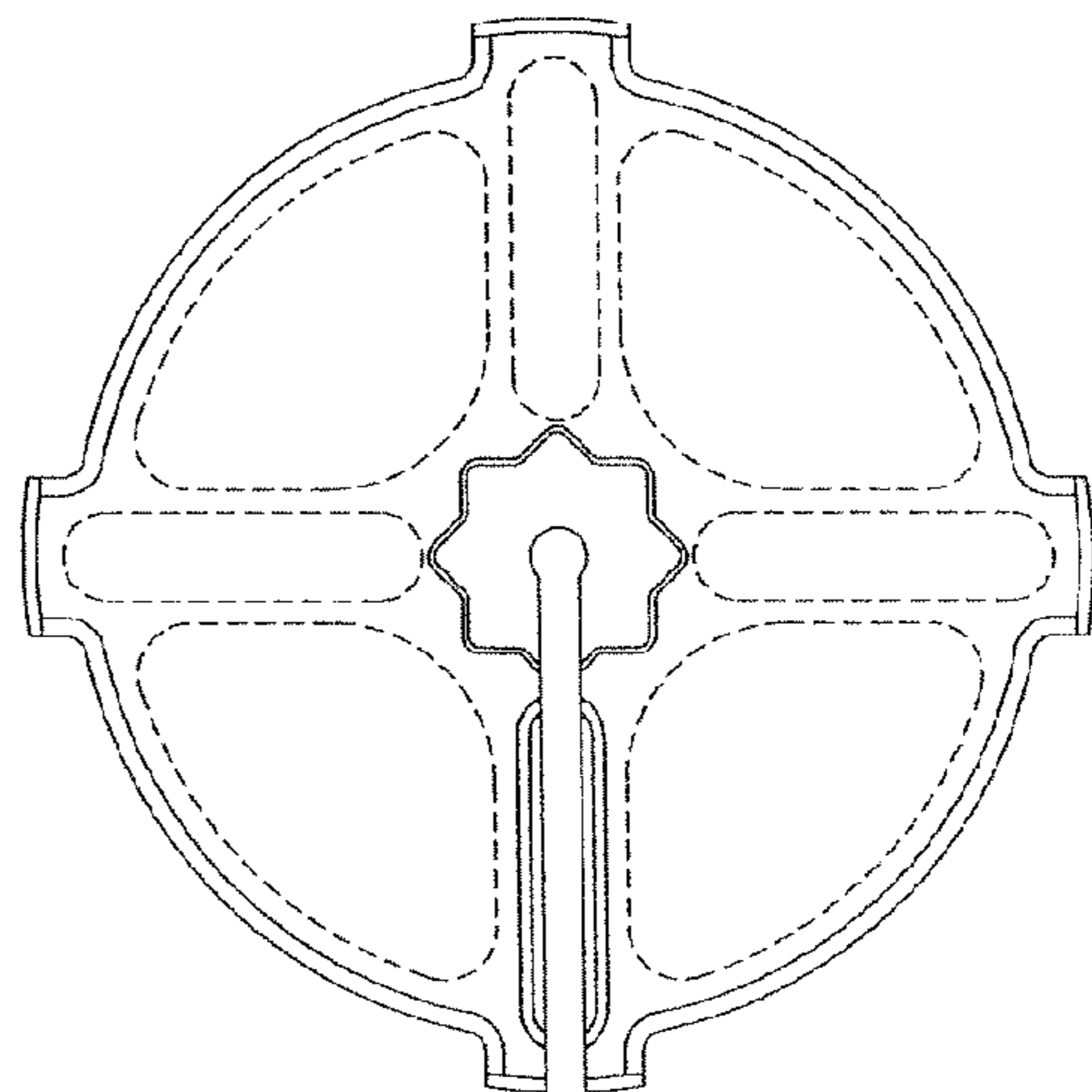


FIG. 6

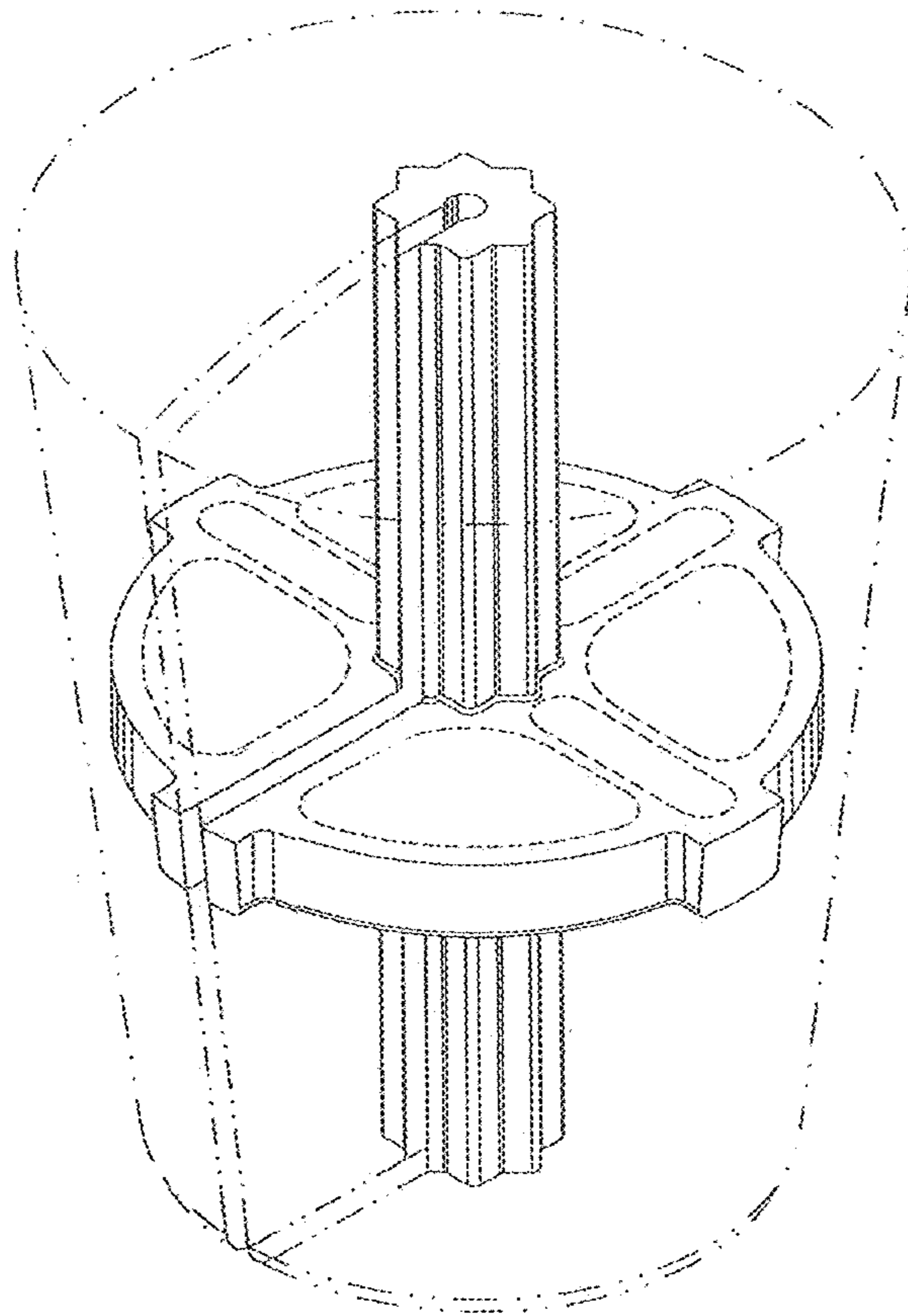


FIG. 7

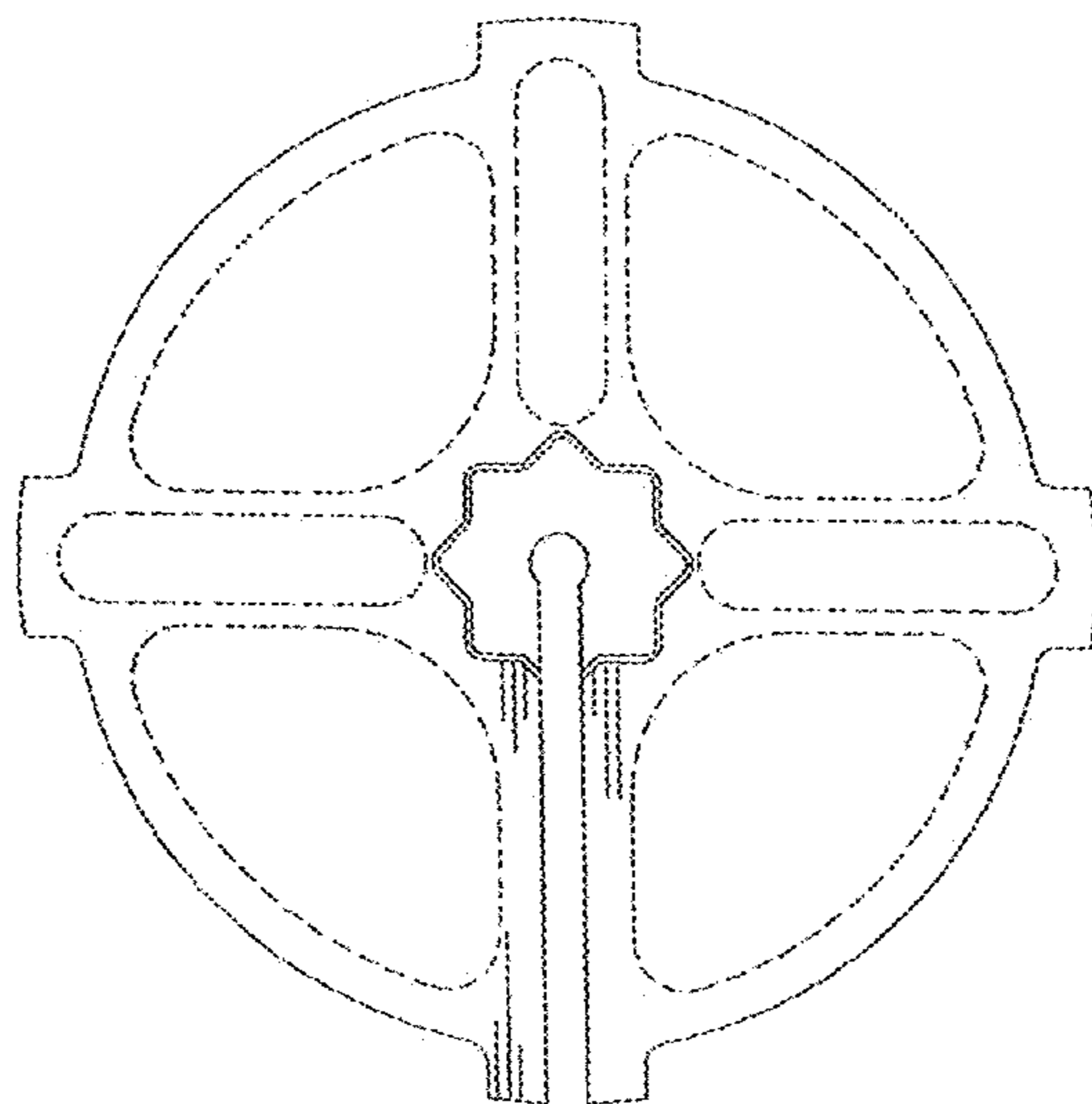


FIG. 8

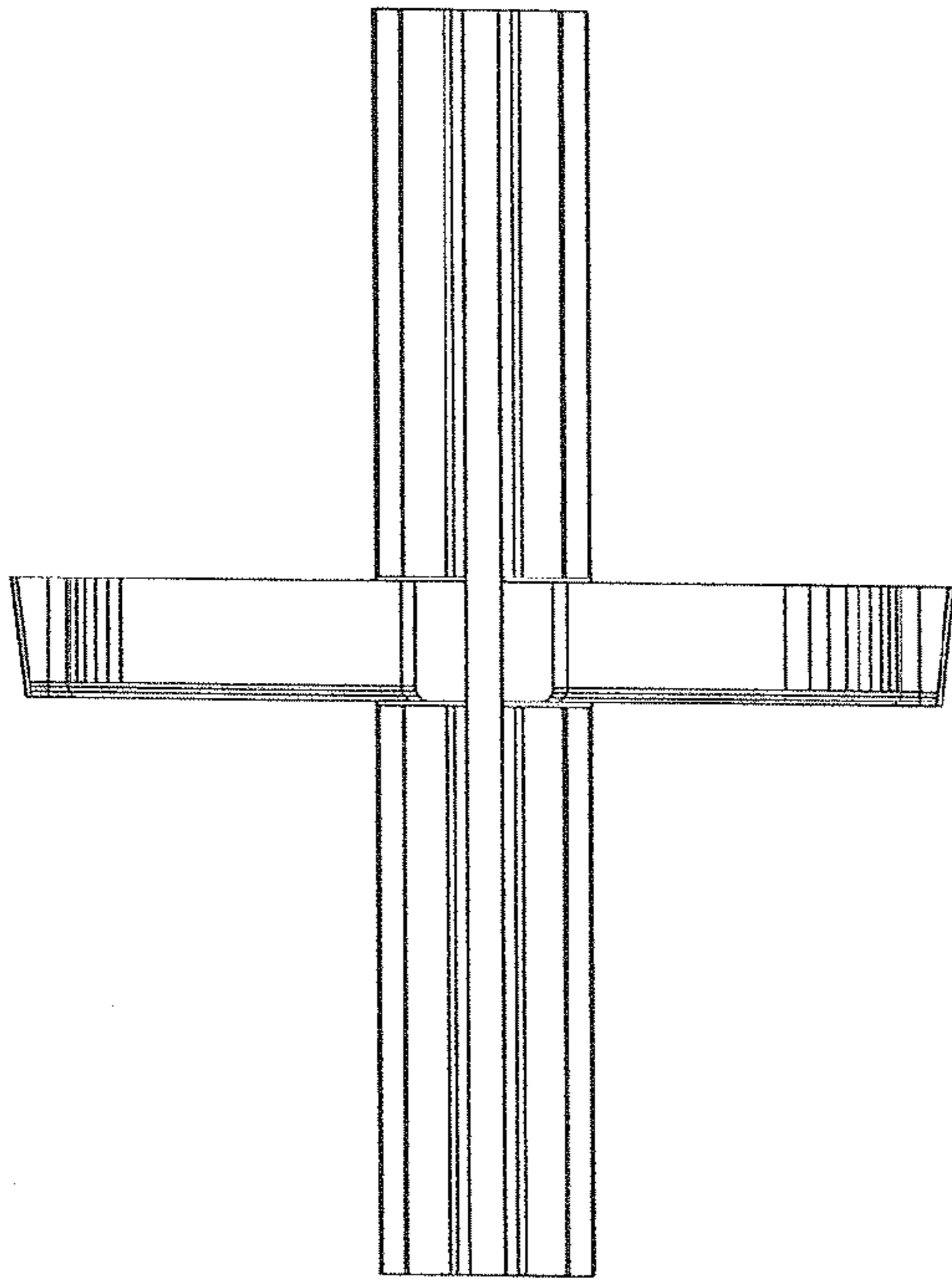


FIG. 9

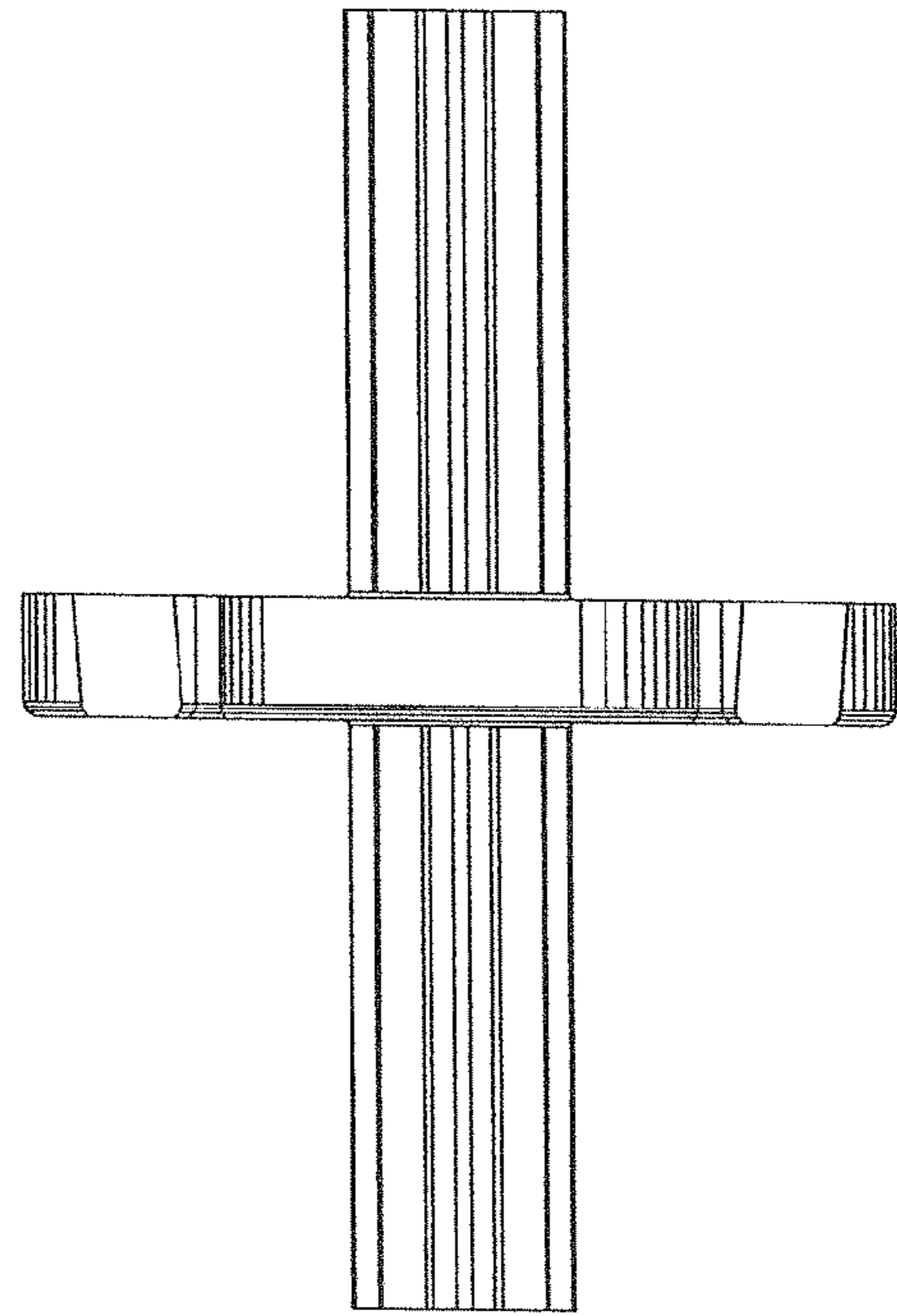


FIG. 10

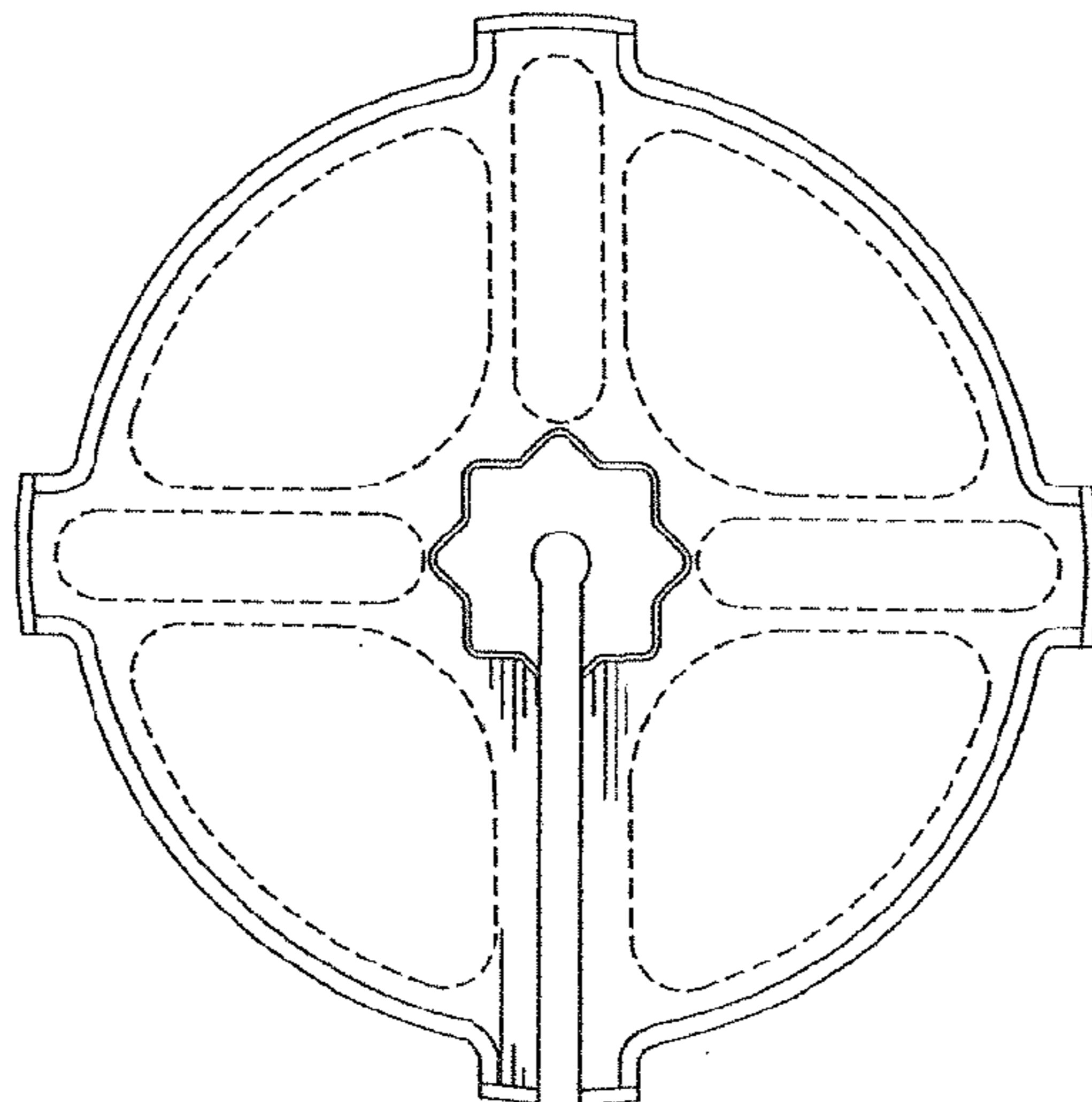


FIG. 11