



US00D769405S

(12) **United States Design Patent**
Johnson

(10) **Patent No.:** **US D769,405 S**

(45) **Date of Patent:** **** Oct. 18, 2016**

(54) **FISHING LURE**

(71) Applicant: **Lonnie Johnson**, Chesapeake Beach,
VA (US)

(72) Inventor: **Lonnie Johnson**, Chesapeake Beach,
VA (US)

(**) Term: **15 Years**

(21) Appl. No.: **29/532,100**

(22) Filed: **Jul. 1, 2015**

(51) **LOC (10) Cl.** **22-05**

(52) **U.S. Cl.**
USPC **D22/144; D22/126**

(58) **Field of Classification Search**
USPC D22/144, 126-133; 43/42.28, 42.06,
43/42.08, 42.36

CPC A01K 85/00; A01K 91/04
See application file for complete search history.

(56) **References Cited**

U.S. PATENT DOCUMENTS

D324,407 S *	3/1992	Snyder	D22/126
D408,883 S *	4/1999	Snyder	D22/126
D425,599 S *	5/2000	Lummis	D22/133
D452,291 S *	12/2001	Puccio	D22/126
D458,336 S *	6/2002	Hodgin	D22/126

D528,629 S *	9/2006	Fergus	D22/144
D537,500 S *	2/2007	Becker	D22/144
D539,379 S *	3/2007	Stazo	D22/144
D697,165 S *	1/2014	Lorentz	D22/144

* cited by examiner

Primary Examiner — Catheri Oliver-Garcia

(74) *Attorney, Agent, or Firm* — Maier & Maier, PLLC

(57) **CLAIM**

The ornamental design for a fishing lure, as shown and described.

DESCRIPTION

FIG. 1 is a perspective view of a fishing lure, showing my design;

FIG. 2 is a right side elevation view thereof;

FIG. 3 is a left side elevation view thereof;

FIG. 4 is a top plan view thereof;

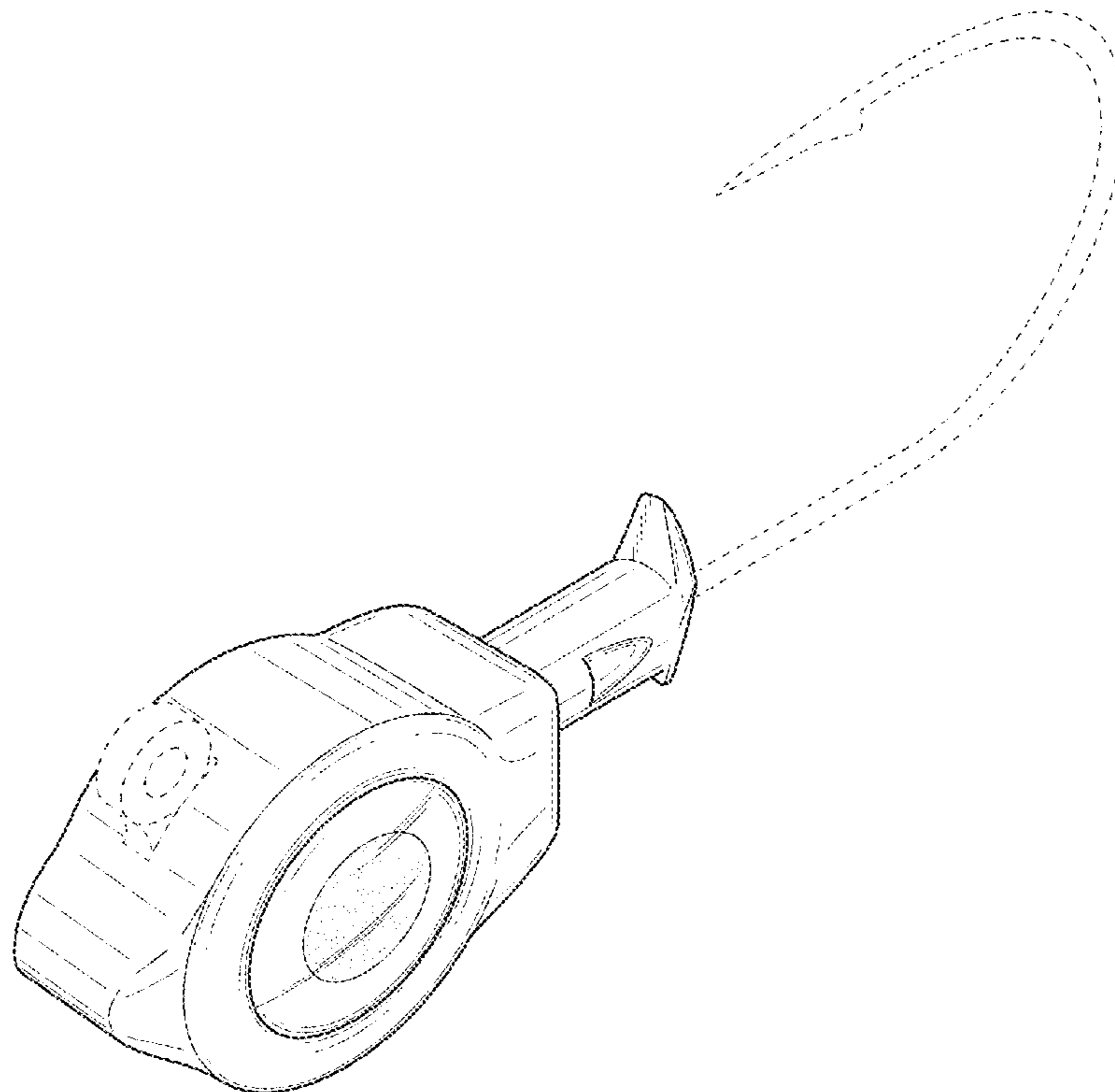
FIG. 5 is a bottom plan view thereof;

FIG. 6 is a front elevation view thereof; and,

FIG. 7 is a rear elevation view thereof.

The broken line showing in the Figures illustrates environment and forms no part of the claimed design. The stippling illustrates contrasting appearance.

1 Claim, 3 Drawing Sheets



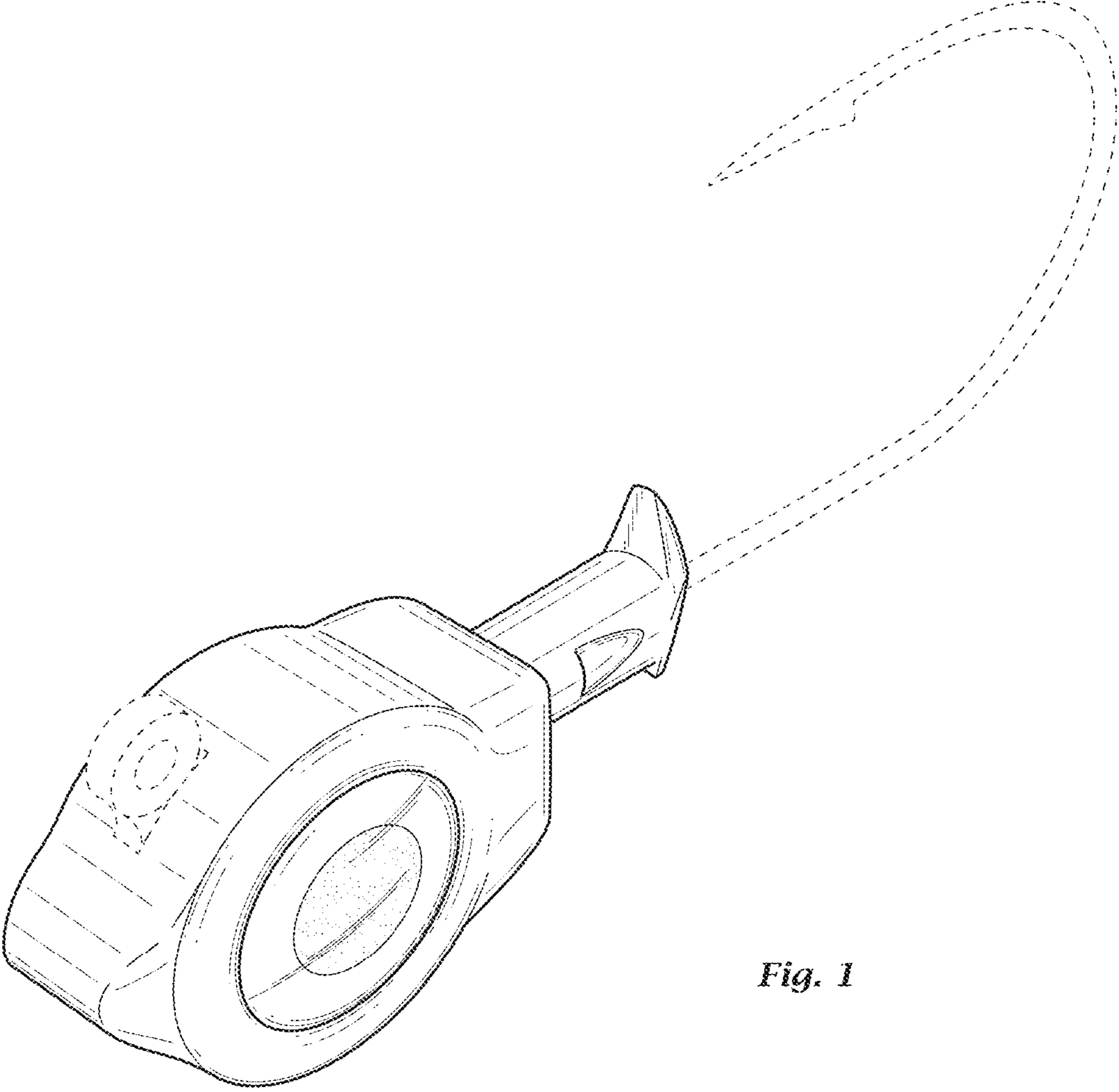


Fig. 1

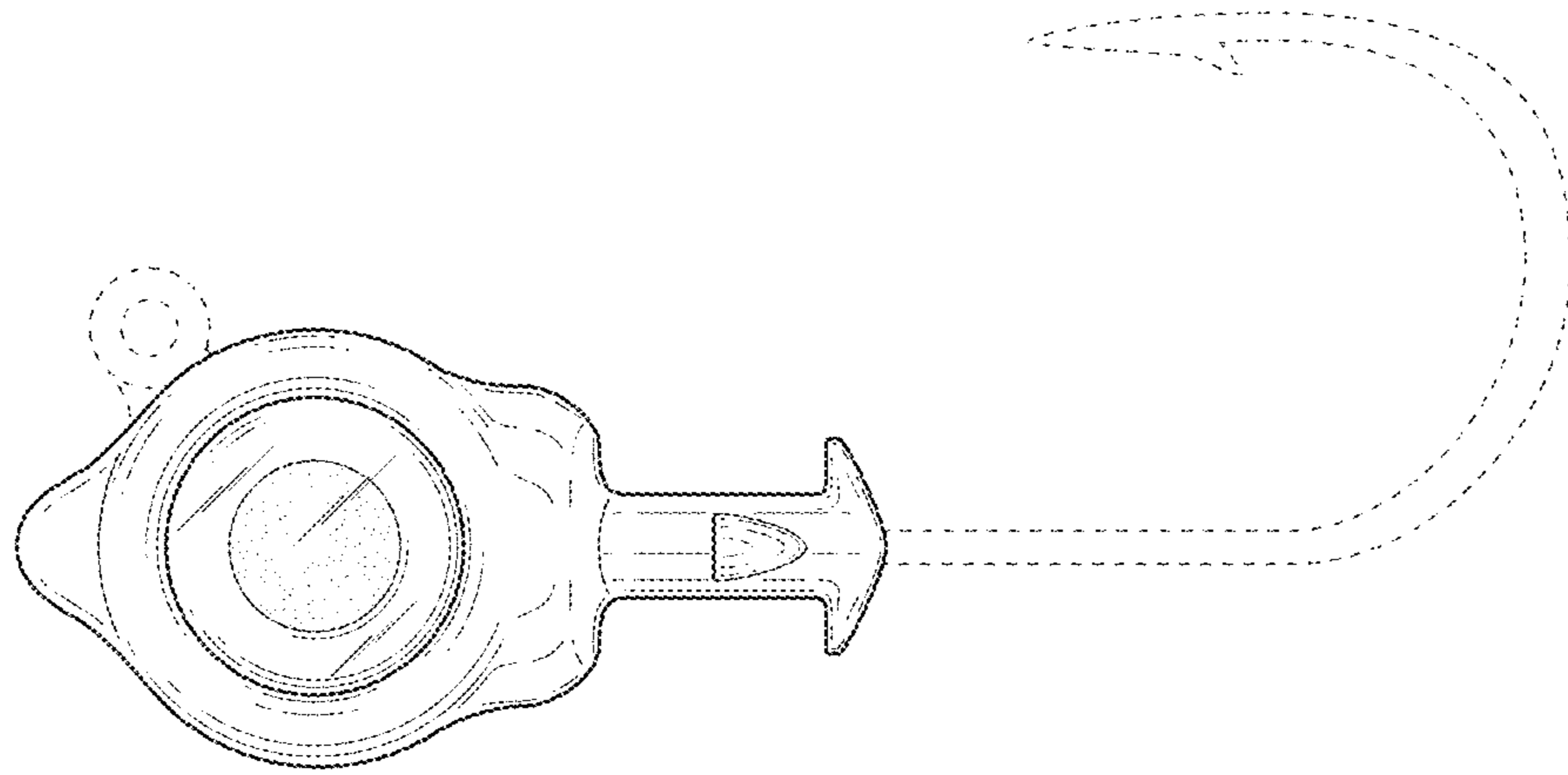


Fig. 2

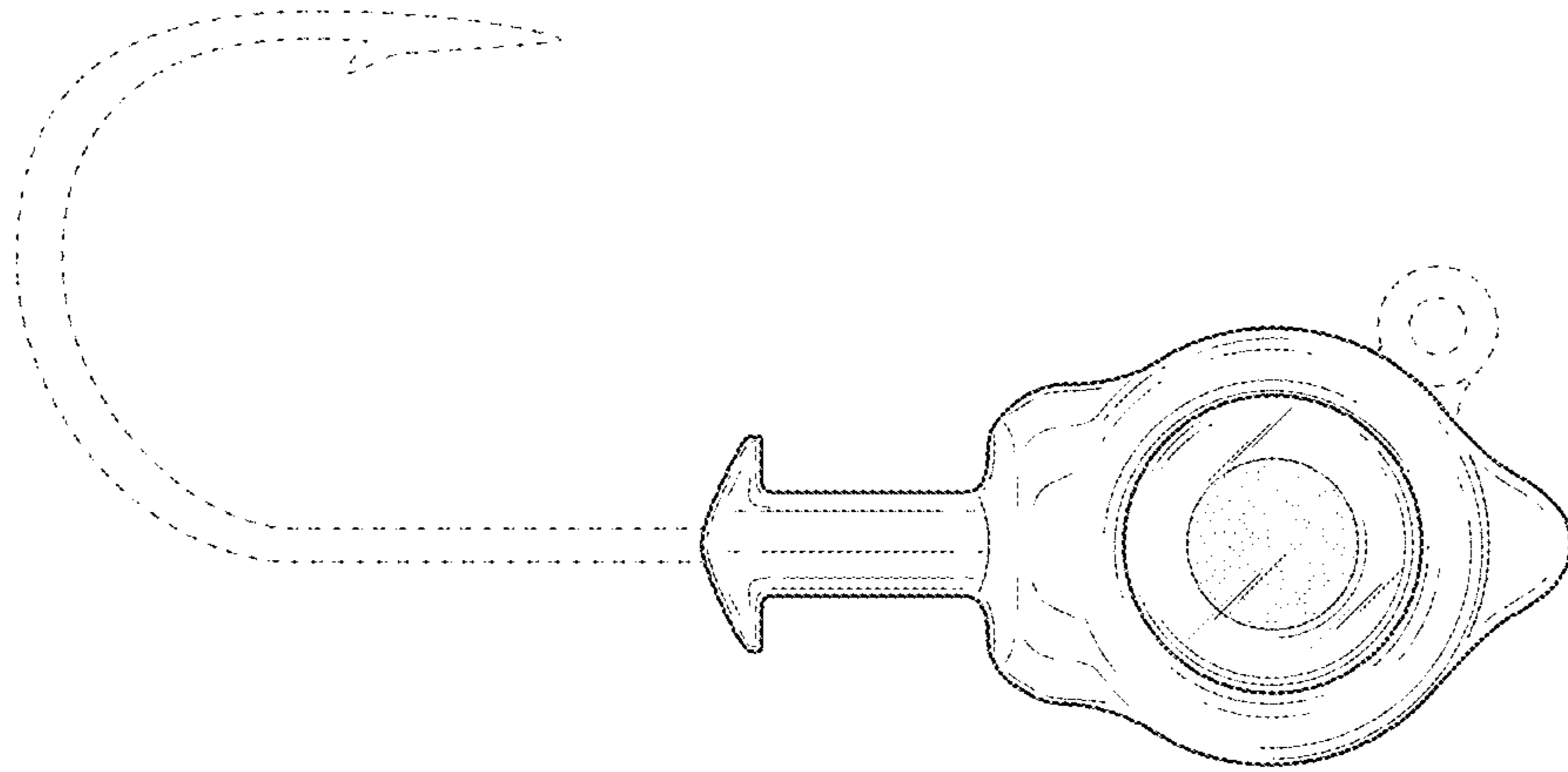


Fig. 3

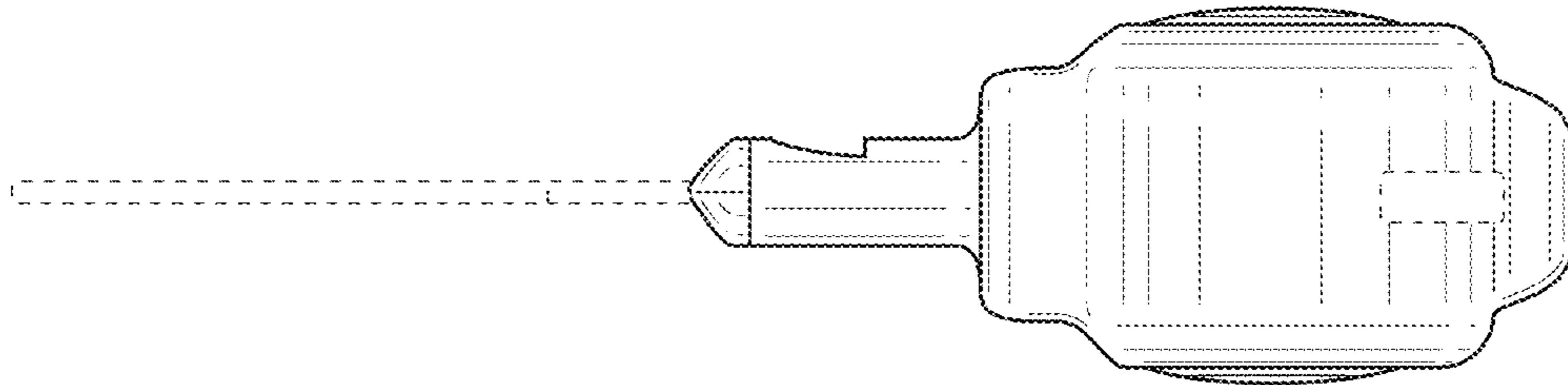


Fig. 4

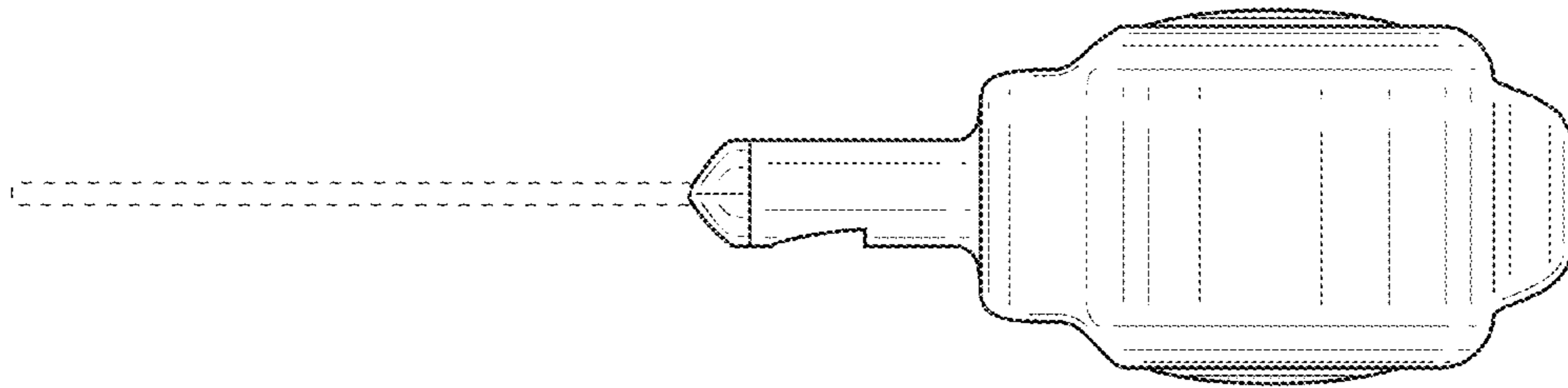


Fig. 5

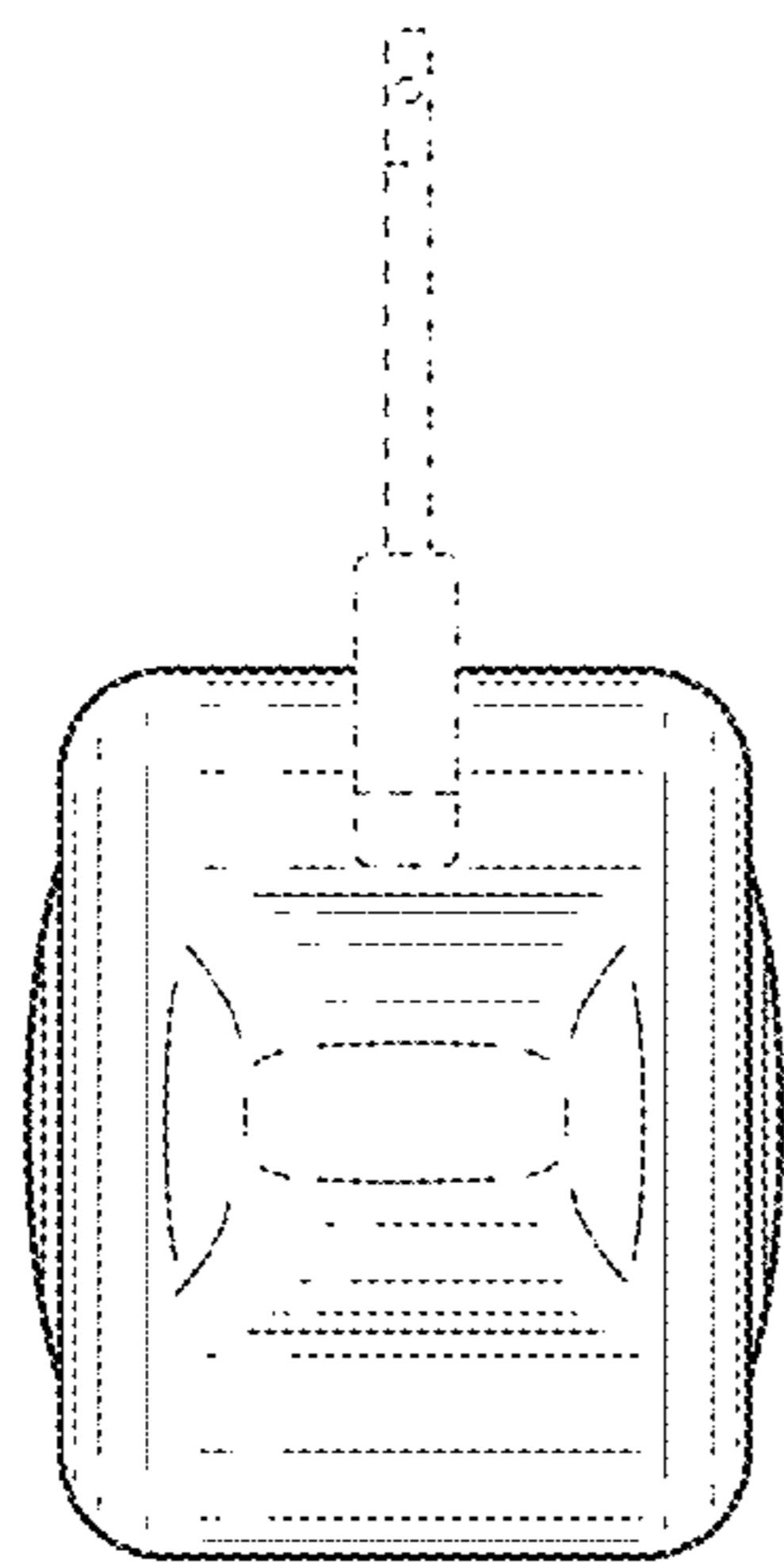


Fig. 6

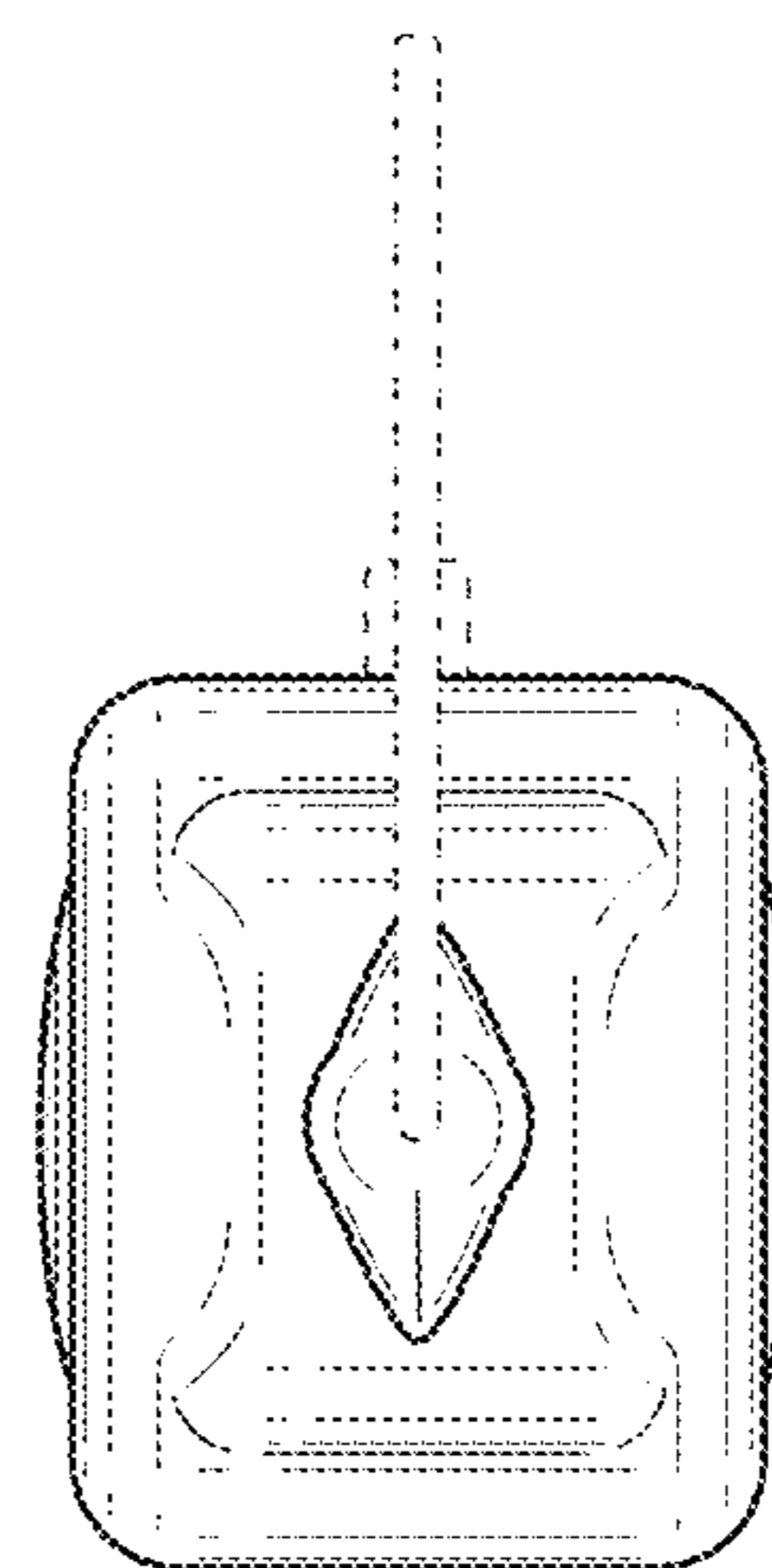


Fig. 7

UNITED STATES PATENT AND TRADEMARK OFFICE
CERTIFICATE OF CORRECTION

PATENT NO. : D769,405 S
APPLICATION NO. : 29/532100
DATED : October 18, 2016
INVENTOR(S) : Lonnie Johnson

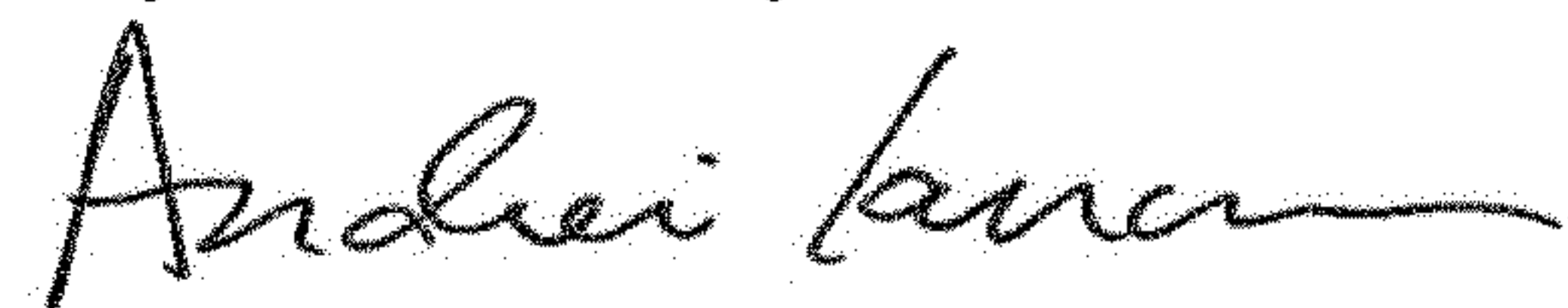
Page 1 of 1

It is certified that error appears in the above-identified patent and that said Letters Patent is hereby corrected as shown below:

On the Title Page

Column 1, (72), replace "Inventor: Lonnie Johnson, Chesapeake Beach, VA (US)" with
--Inventor: Lonnie Johnson, Chesapeake Beach, MD (US)--

Signed and Sealed this
Twenty-seventh Day of November, 2018



Andrei Iancu
Director of the United States Patent and Trademark Office