



US00D769404S

(12) **United States Design Patent** (10) **Patent No.:** **US D769,404 S**
Zagrodnik (45) **Date of Patent:** **** Oct. 18, 2016**

(54) **FISHING HOOK AND LINE STORAGE HOLDER**

Primary Examiner — Catheri Oliver-Garcia
(74) *Attorney, Agent, or Firm* — Stuart M. Goldstein

(71) Applicant: **Andrew Zagrodnik**, Mt. Laurel, NJ (US)

(72) Inventor: **Andrew Zagrodnik**, Mt. Laurel, NJ (US)

(**) Term: **14 Years**

(21) Appl. No.: **29/526,002**

(22) Filed: **May 5, 2015**

(51) **LOC (10) Cl.** **22-05**

(52) **U.S. Cl.**
USPC **D22/134**

(58) **Field of Classification Search**
USPC D22/134; 206/315.11; 43/57.1, 57.2, 43/54.1; D3/260; 224/604, 661, 920
CPC A01K 97/06; A01K 91/047
See application file for complete search history.

(56) **References Cited**

U.S. PATENT DOCUMENTS

5,544,442 A *	8/1996	Perkins	A01K 97/06 43/57.1
8,205,376 B1 *	6/2012	Hughes	A01K 91/047 206/315.11
D690,386 S *	9/2013	Agueria Martinez	D22/134

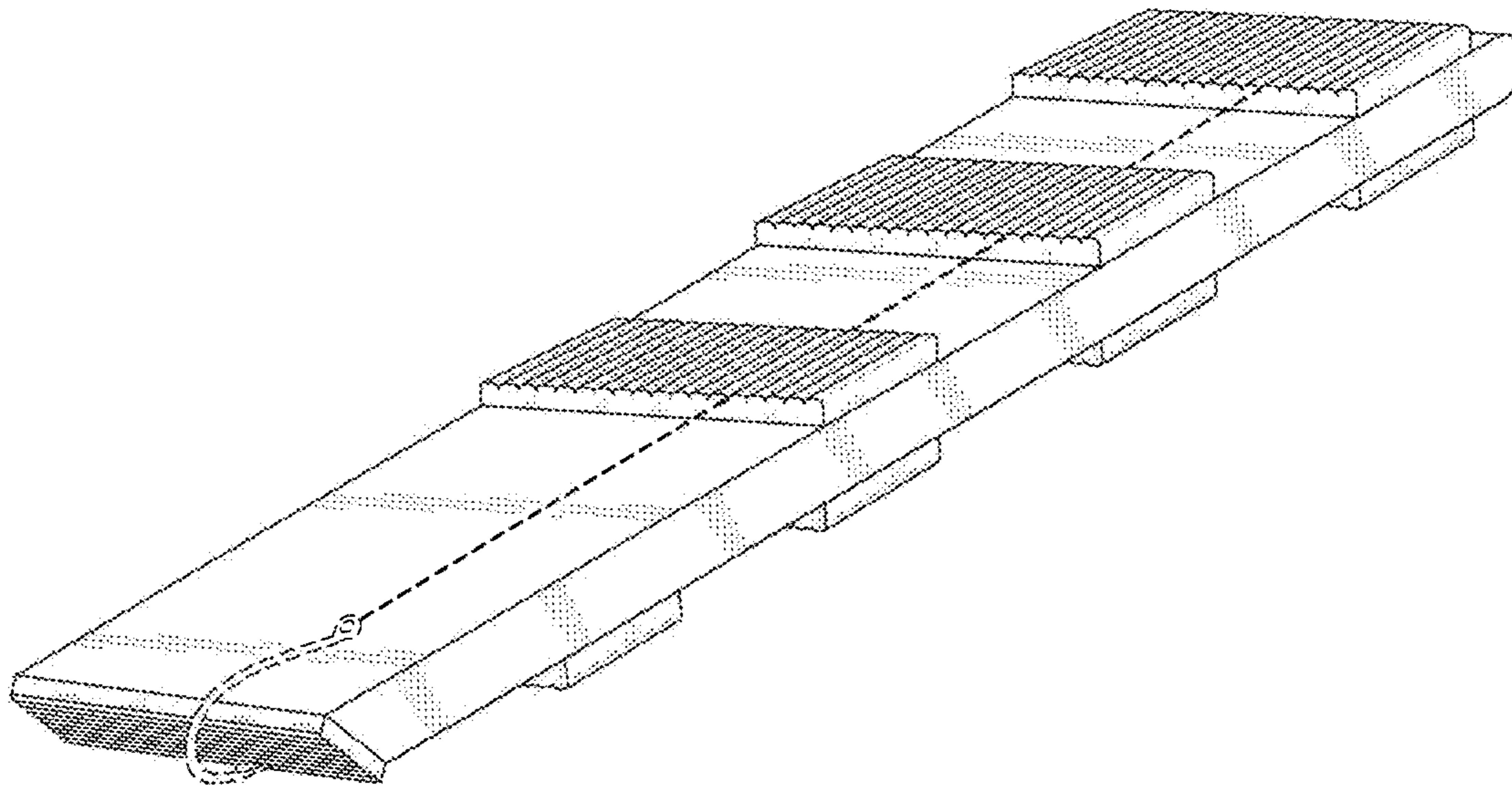
* cited by examiner

(57) **CLAIM**
The ornamental design for the fishing hook and line storage holder, as shown and described.

DESCRIPTION

FIG. 1 is a perspective view of the fishing hook and line storage holder of the present invention.
 FIG. 2 is a top view of the fishing hook and line storage holder of the present invention.
 FIG. 3 is a bottom view of the fishing hook and line storage holder of the present invention.
 FIG. 4 is an elevation view of the fishing hook and line storage holder of the present invention.
 FIG. 5 is an opposite elevation view of the fishing hook and line storage holder of the present invention.
 FIG. 6 is a front view of the fishing hook and line storage holder of the present invention; and,
 FIG. 7 is a rear view of the fishing hook and line storage holder of the present invention.
 The broken lines showing a fishing hook and fishing line are included for the purpose of illustrating use and environment and forms no part of the claimed design.

1 Claim, 4 Drawing Sheets



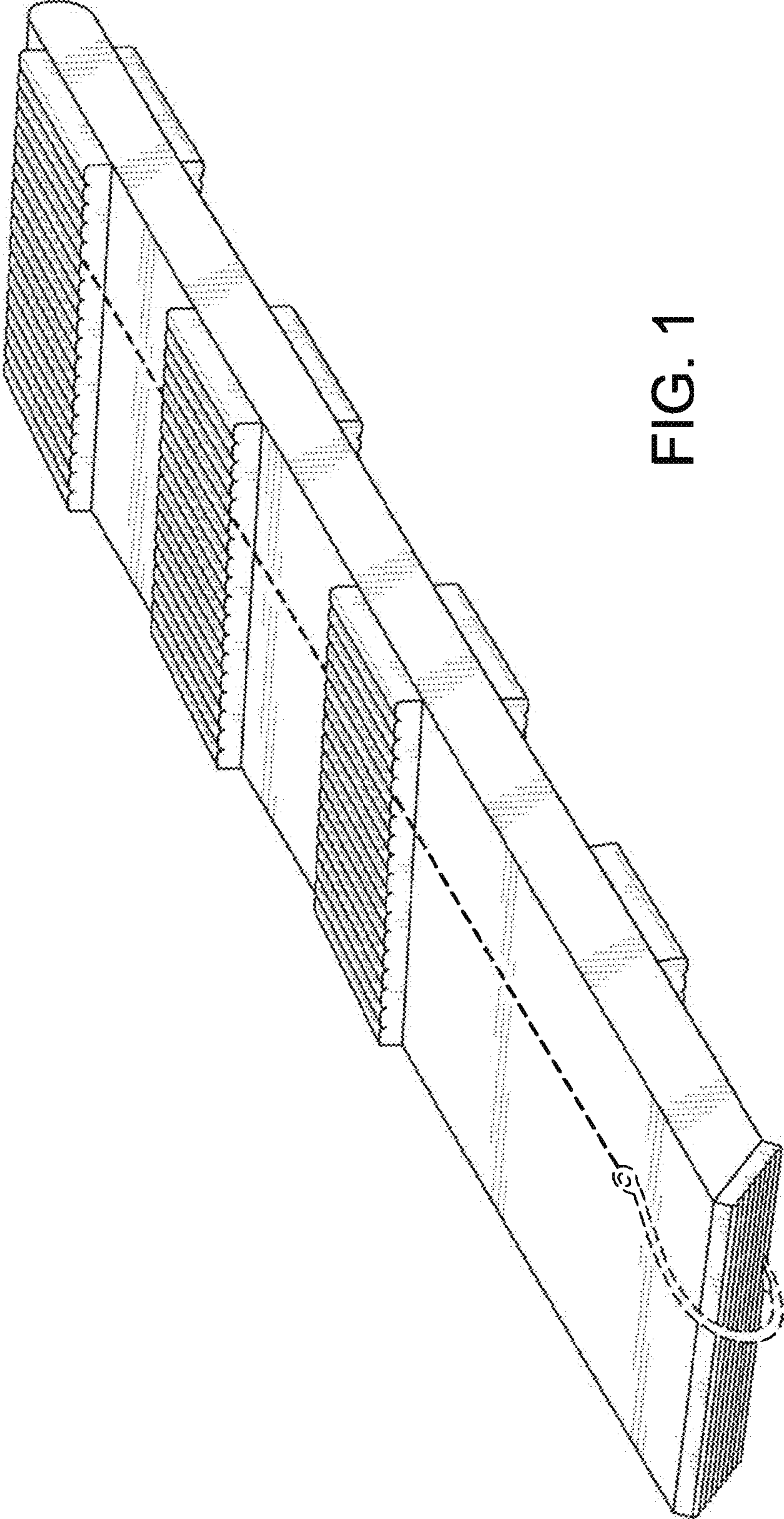


FIG. 1

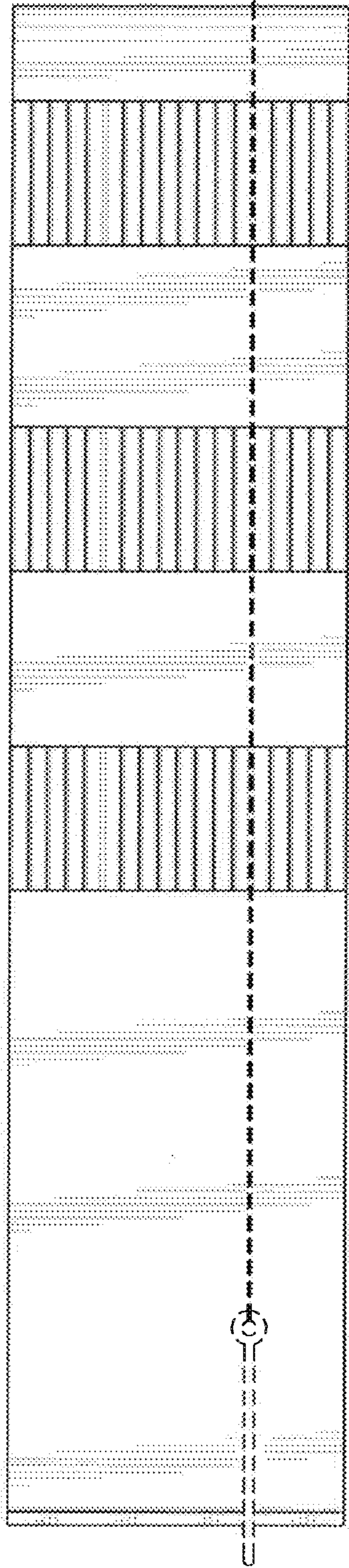


FIG. 2

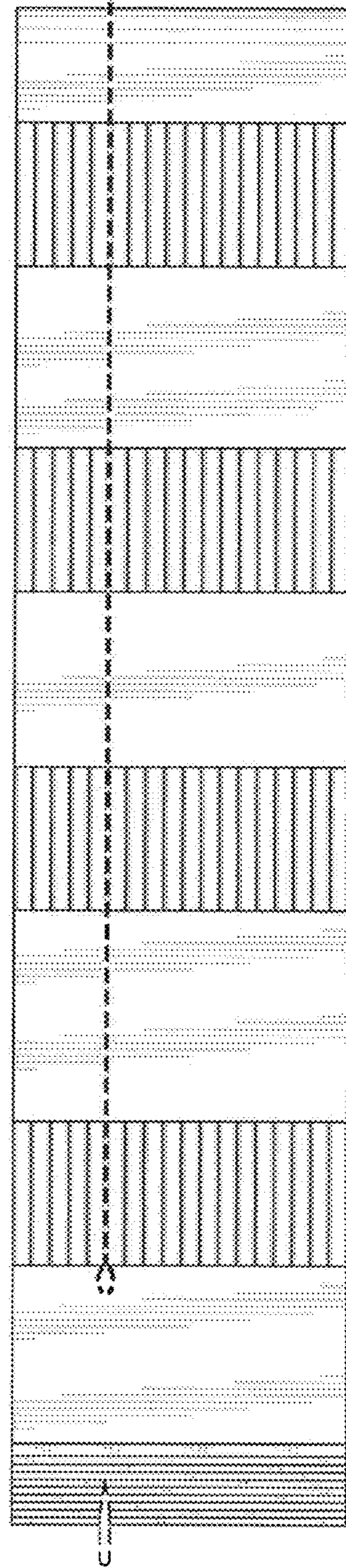


FIG. 3

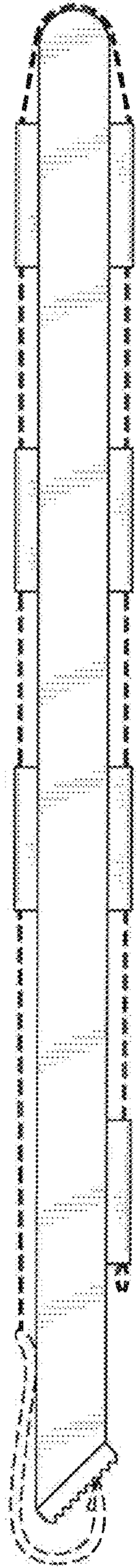


FIG. 4

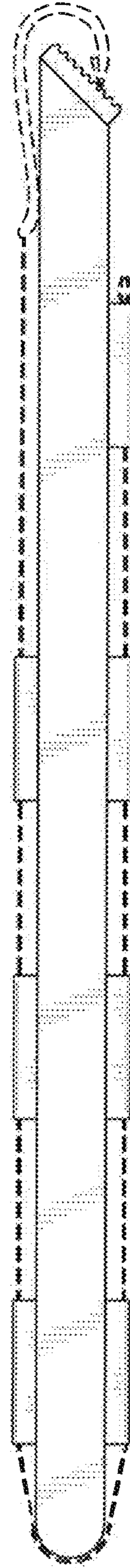


FIG. 5

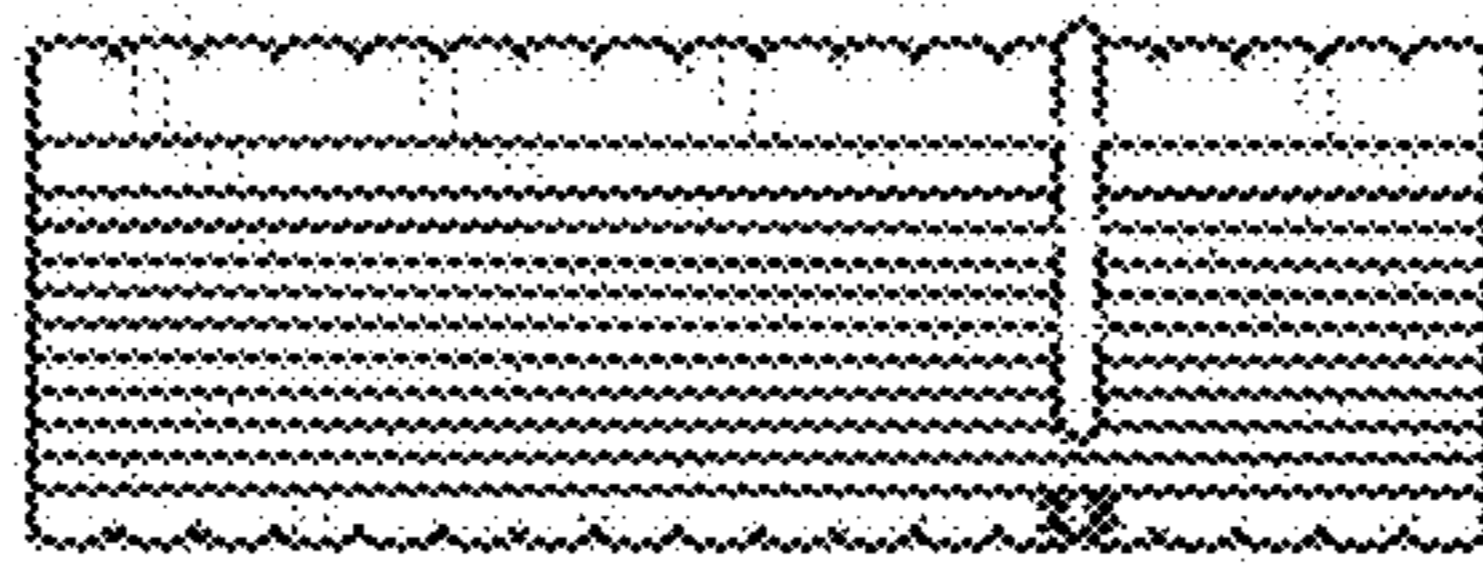


FIG. 6

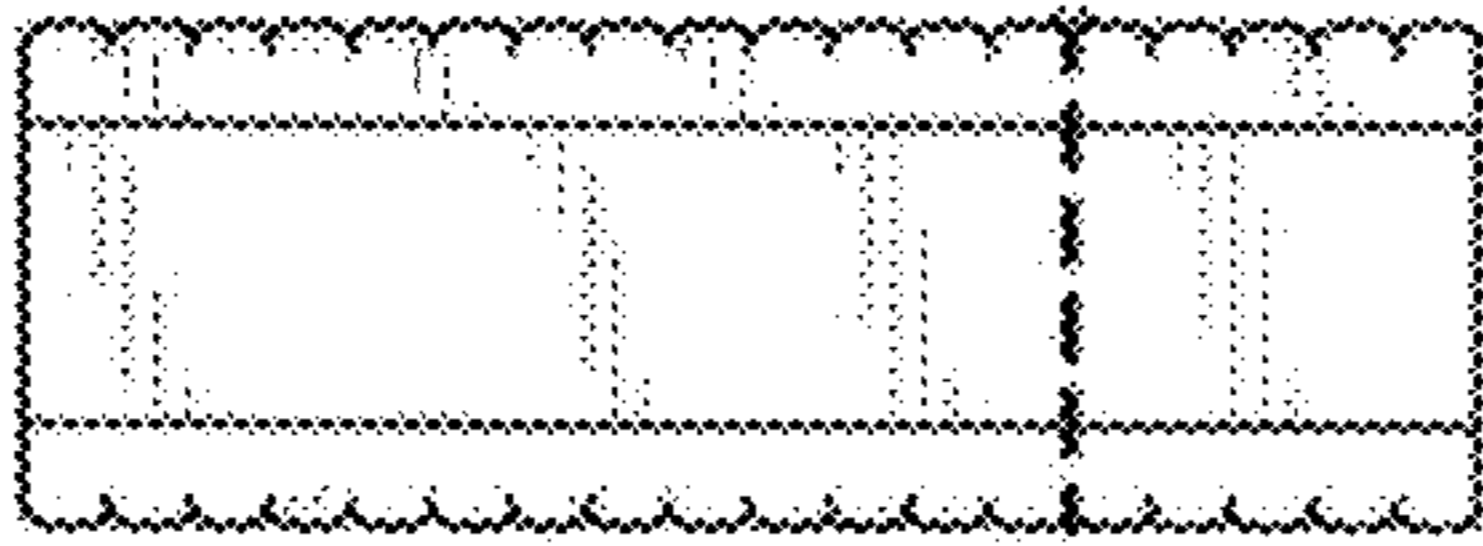


FIG. 7