

US00D769402S

(12) **United States Design Patent**
Smallfield

(10) **Patent No.:** **US D769,402 S**

(45) **Date of Patent:** **** Oct. 18, 2016**

(54) **HUMANOID DECOY**

(71) Applicant: **Stanley W. Smallfield**, Russellville, AR
(US)

(72) Inventor: **Stanley W. Smallfield**, Russellville, AR
(US)

(**) Term: **14 Years**

(21) Appl. No.: **29/517,115**

(22) Filed: **Feb. 10, 2015**

Related U.S. Application Data

(63) Continuation of application No. 13/543,257, filed on
Jul. 6, 2012, now abandoned.

(51) **LOC (10) Cl.** **22-05**

(52) **U.S. Cl.**
USPC **D22/125**

(58) **Field of Classification Search**
USPC D22/125, 199; 43/1-2; 446/73, 221,
446/226; D21/621, 623; 135/87, 901;
40/538

CPC ... A01M 31/00; A01M 31/06; A01M 31/025
See application file for complete search history.

(56) **References Cited**

U.S. PATENT DOCUMENTS

4,820,231 A 4/1989 Mikitka et al.
5,340,350 A 8/1994 Fink et al.

5,682,701 A 11/1997 Gammon
D415,200 S * 10/1999 Carpenter D21/623
6,079,139 A 6/2000 Berry
D463,523 S * 9/2002 McCombs D22/125
6,942,538 B2 9/2005 Stanier
2003/0029074 A1 2/2003 Volz
2009/0272019 A1 11/2009 Espenkotter

* cited by examiner

Primary Examiner — Catheri Oliver-Garcia

(74) *Attorney, Agent, or Firm* — Robert C Montgomery;
Montgomery Patent & Design

(57) **CLAIM**

The ornamental design for the humanoid decoy, as shown
and described.

DESCRIPTION

FIG. 1 is a front perspective view of the humanoid decoy
showing my new design.

FIG. 2 is a front elevation view thereof;

FIG. 3 is a rear elevation view thereof;

FIG. 4 is a right side view with the left side view being a
mirror image thereof;

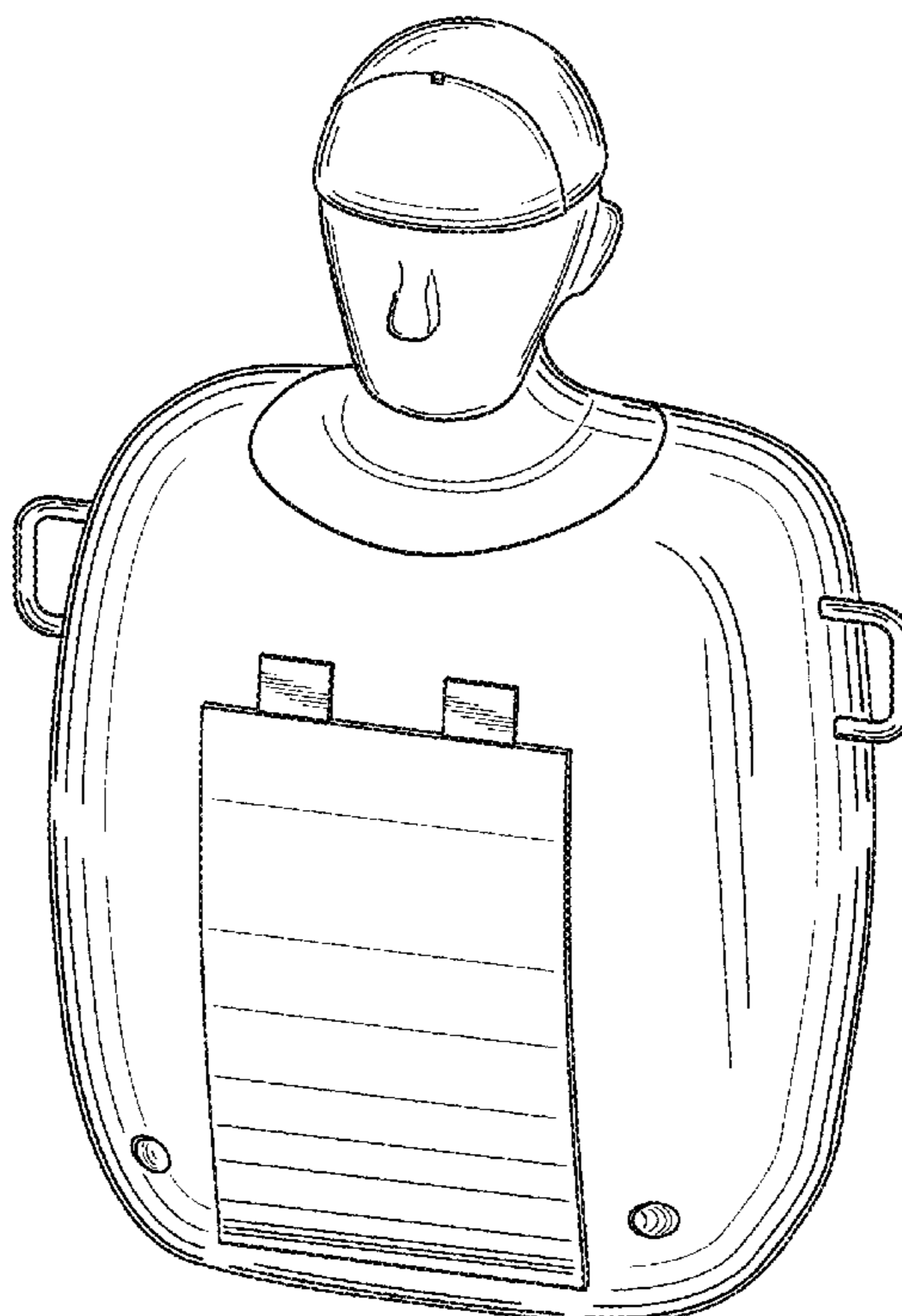
FIG. 5 is a top plan view thereof;

FIG. 6 is a bottom plan view thereof; and,

FIG. 7 is a front perspective view, shown in an open
position.

The dashed lines indicate boundary areas and form no part
of the claimed design.

1 Claim, 7 Drawing Sheets



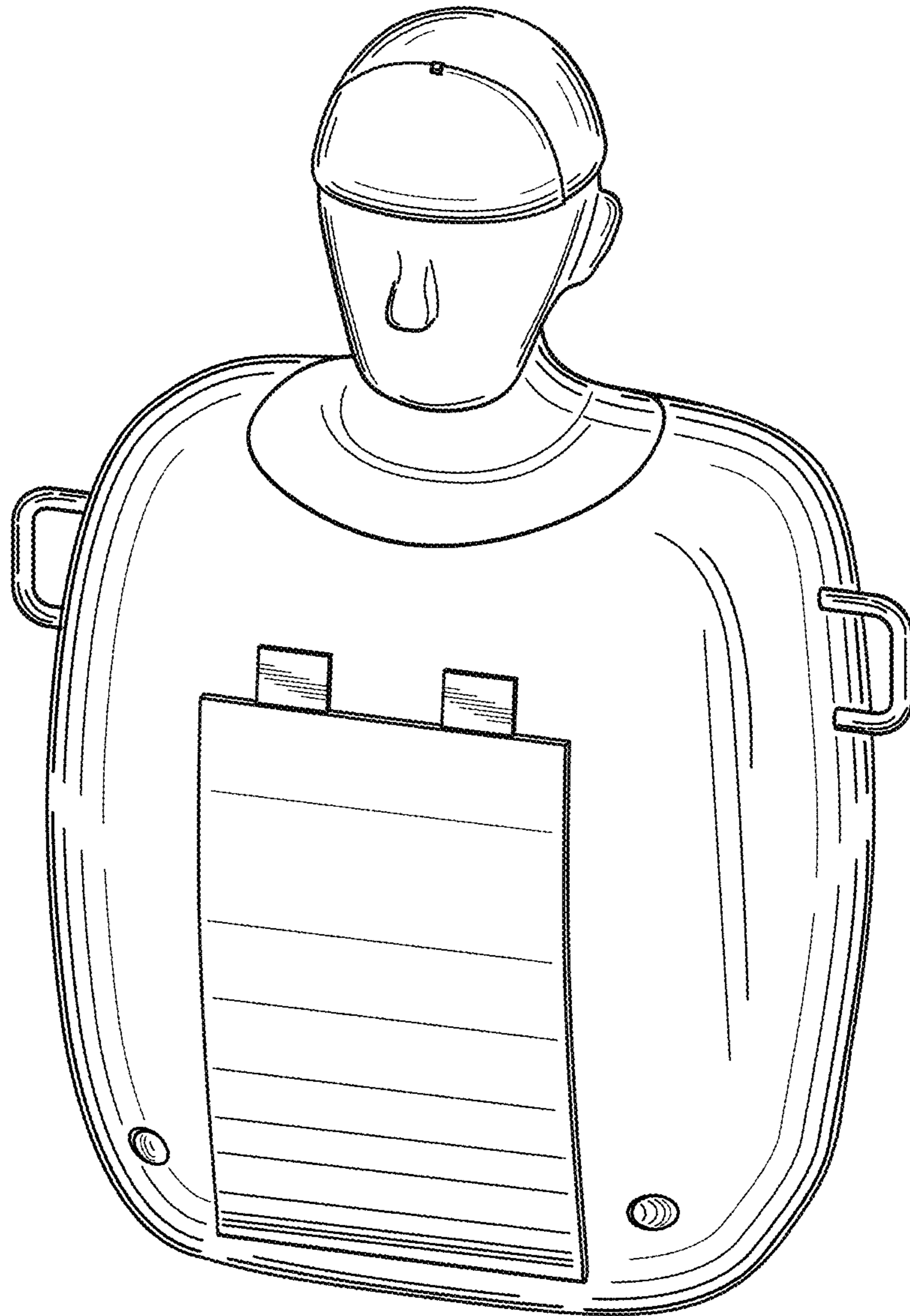


Fig. 1

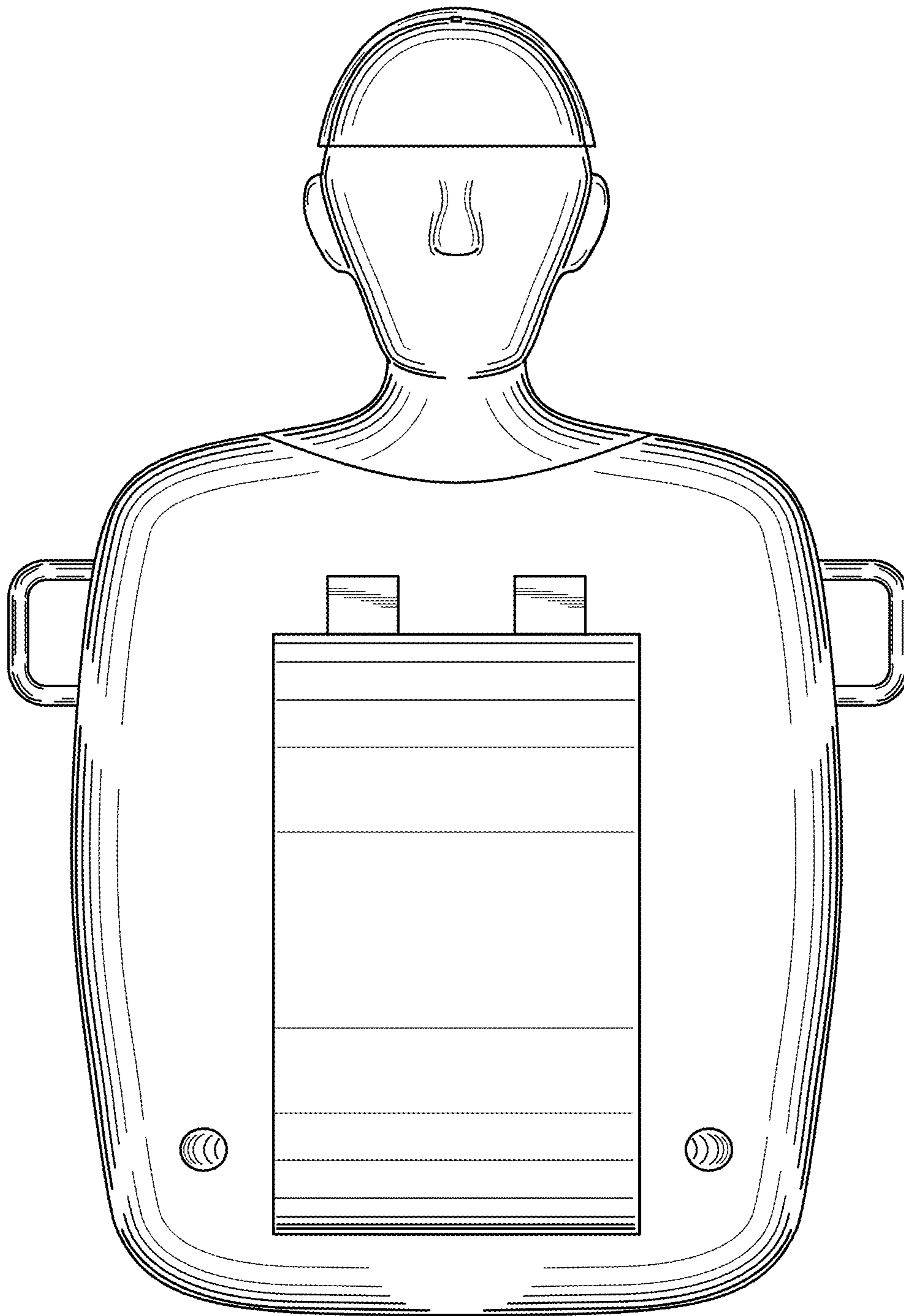


Fig. 2

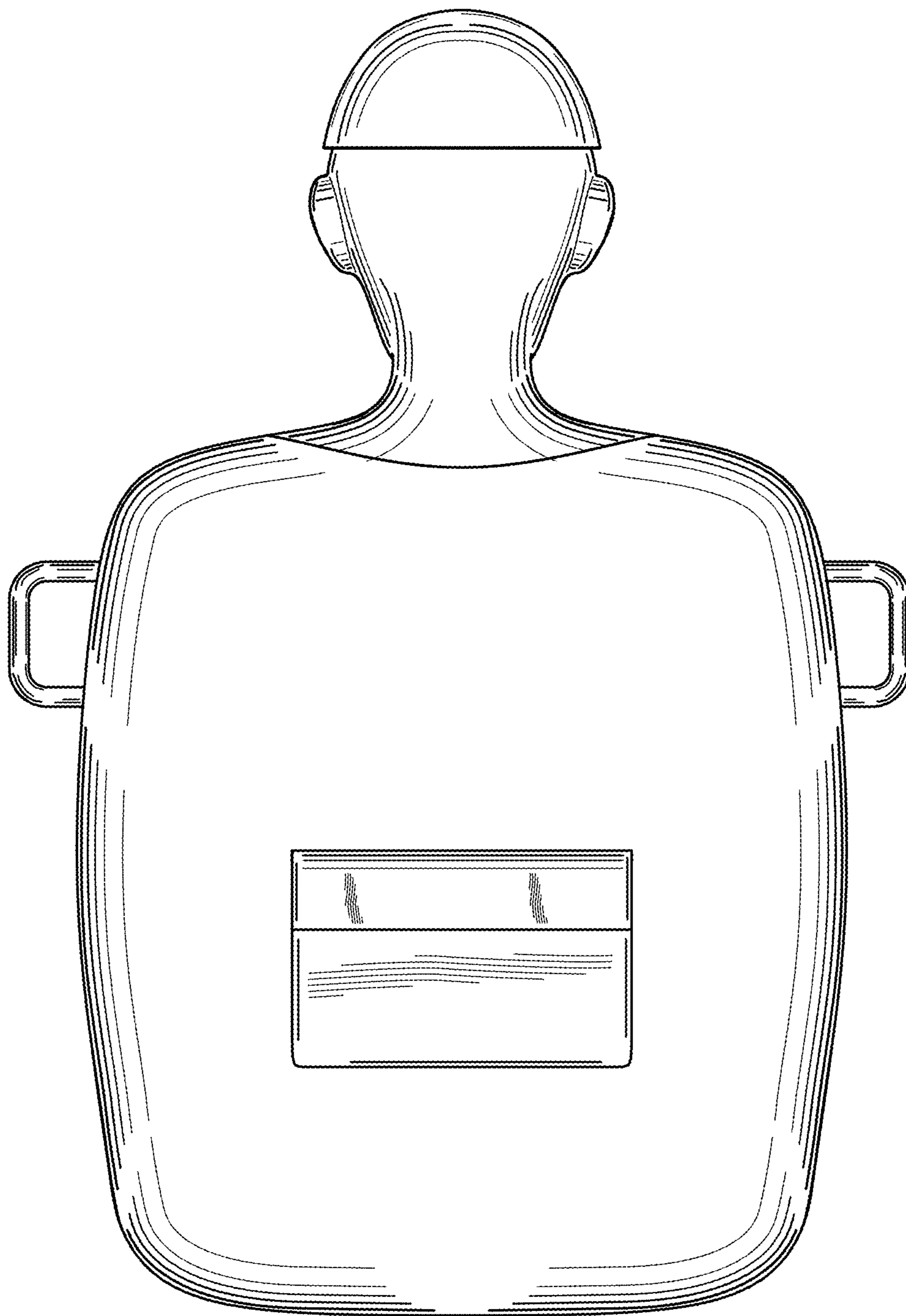


Fig. 3

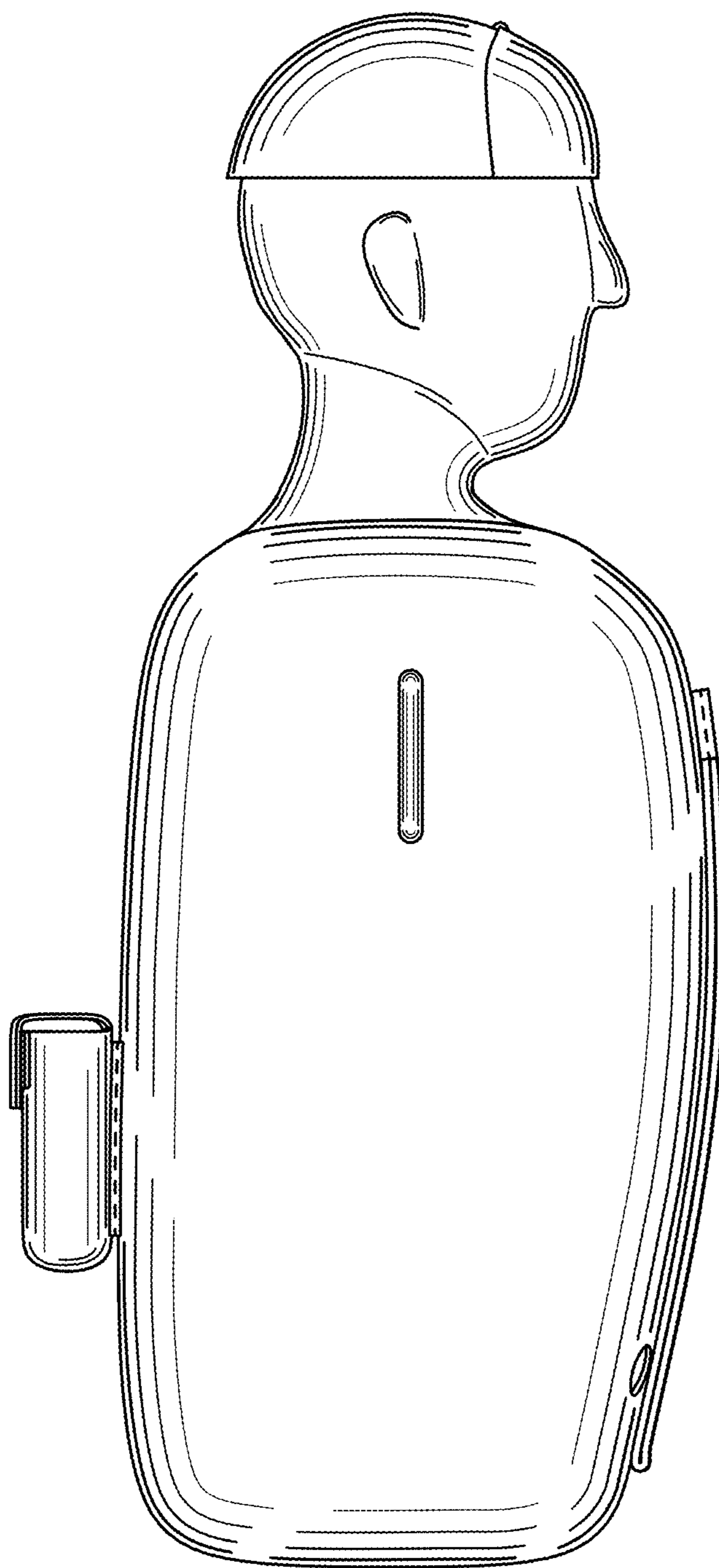


Fig. 4

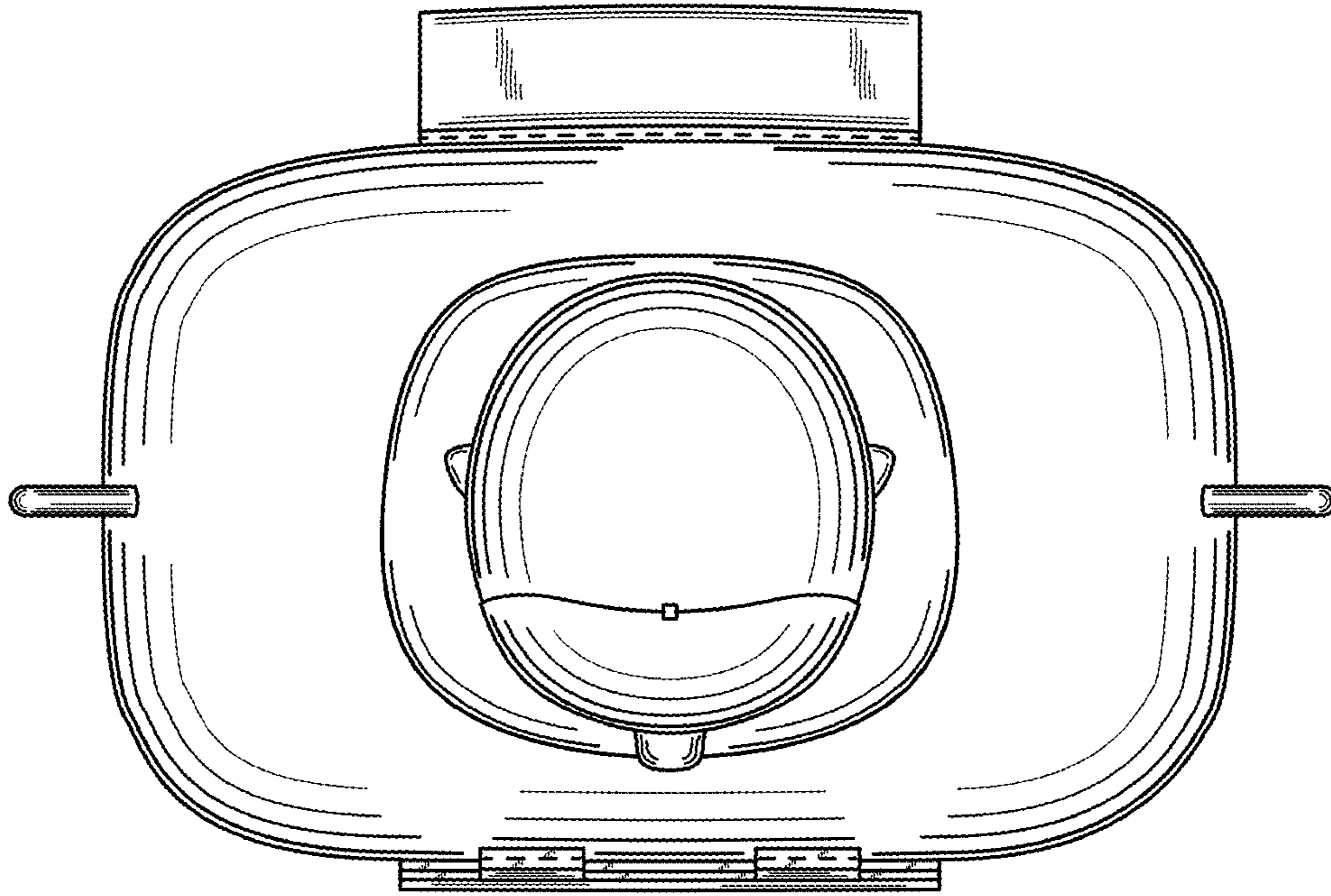


Fig. 5

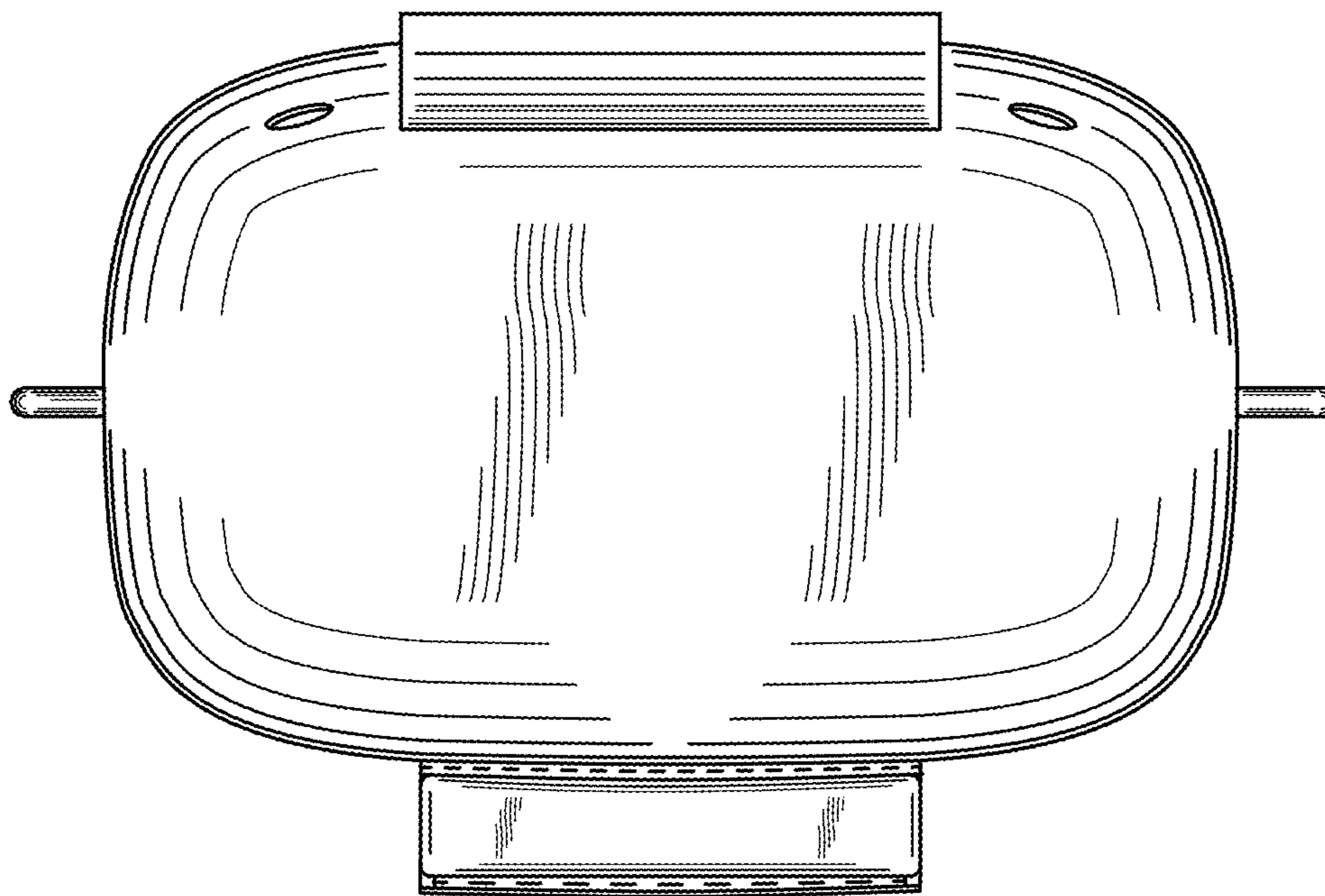


Fig. 6

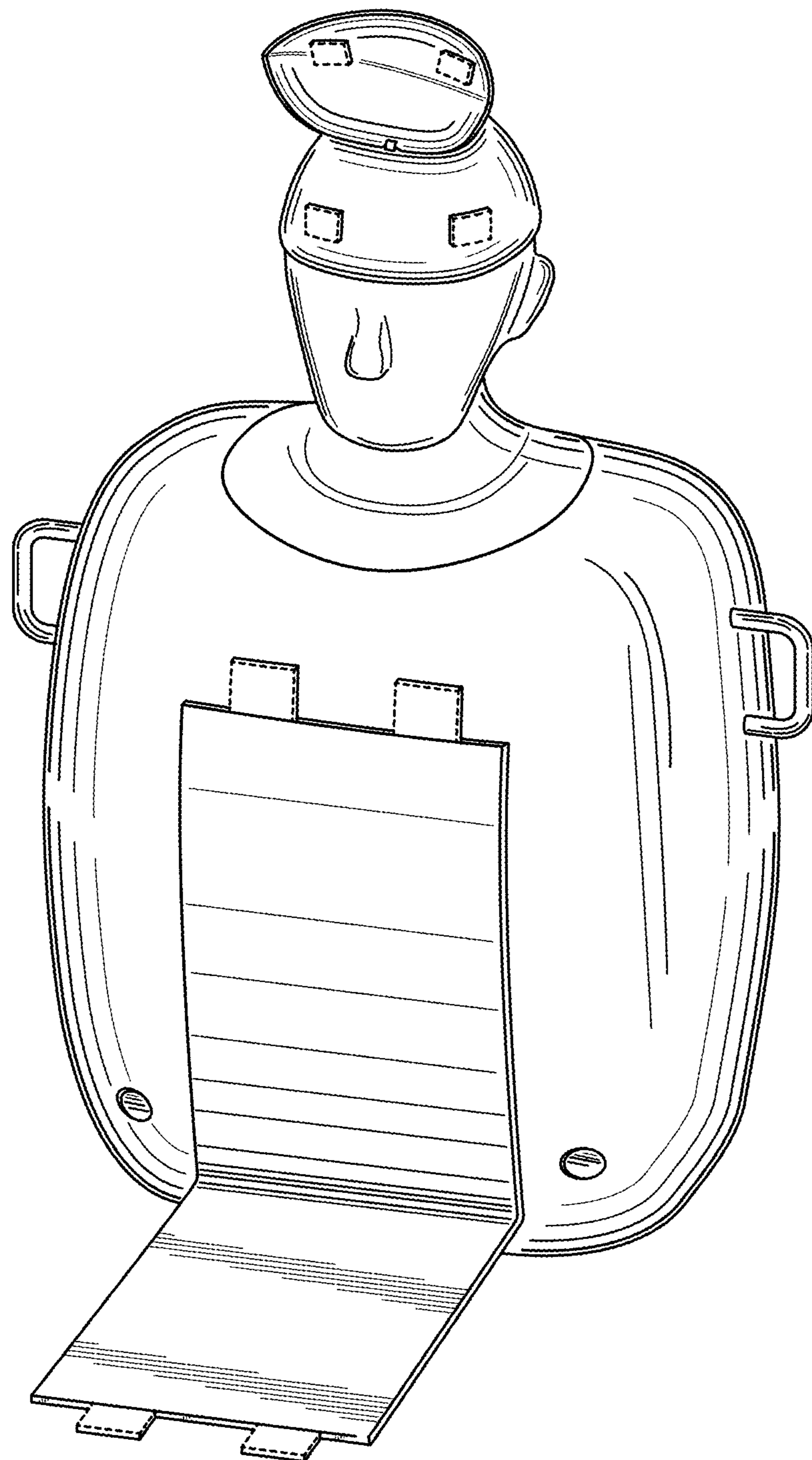


Fig. 7