



US00D769400S

(12) **United States Design Patent**
Schefter

(10) **Patent No.:** **US D769,400 S**

(45) **Date of Patent:** **** Oct. 18, 2016**

(54) **FIREARM GRIP**

(71) Applicant: **HEXMAG, LLC**, Loveland, CO (US)

(72) Inventor: **Aaron M. Schefter**, Loveland, CO (US)

(73) Assignee: **HEXMAG, LLC**, Loveland, CO (US)

(**) Term: **15 Years**

(21) Appl. No.: **29/531,854**

(22) Filed: **Jun. 30, 2015**

(51) **LOC (10) Cl.** **22-01**

(52) **U.S. Cl.**
USPC **D22/108**

(58) **Field of Classification Search**

USPC D21/572, 573, 574, 575; D22/108, 199

CPC F41A 21/28; F41A 5/18; F41A 5/24;

F41C 23/00; F41C 27/00; F41C 27/06;

F41C 23/10; F41C 23/14; F41C 23/16;

F41C 23/18

See application file for complete search history.

(56) **References Cited**

U.S. PATENT DOCUMENTS

D706,379 S * 6/2014 Iannello D22/108

D727,456 S * 4/2015 Schefter D22/108

OTHER PUBLICATIONS

AIM Surplus, Hexmag Advanced Tactical Grip, publication date unknown, [site visited Aug. 16, 2016], Available on the Internet URL: <<http://www.aimsurplus.com/product.aspx?groupid=6776&name=Hexmag+Advanced+Tactical+Grip>>.*

Rainier Arms, Hexmag Advanced Tactical Grip, publication date unknown, [site visited Aug. 16, 2016], Available on the Internet URL: <<https://www.rainierarms.com/hexmag-advanced-tactical-grip>>.*

* cited by examiner

Primary Examiner — Susan Bennett Hattan

Assistant Examiner — S. Bryan Reinholdt, Jr.

(74) *Attorney, Agent, or Firm* — Bennet K. Langlotz; Langlotz Patent & Trademark Works, Inc.

(57) **CLAIM**

The ornamental design for a firearm grip, as shown and described.

DESCRIPTION

FIG. 1 is an isometric view of a firearm grip showing my new design.

FIG. 2 is a front elevation view thereof.

FIG. 3 is a rear elevation view thereof.

FIG. 4 is a left side elevation view thereof.

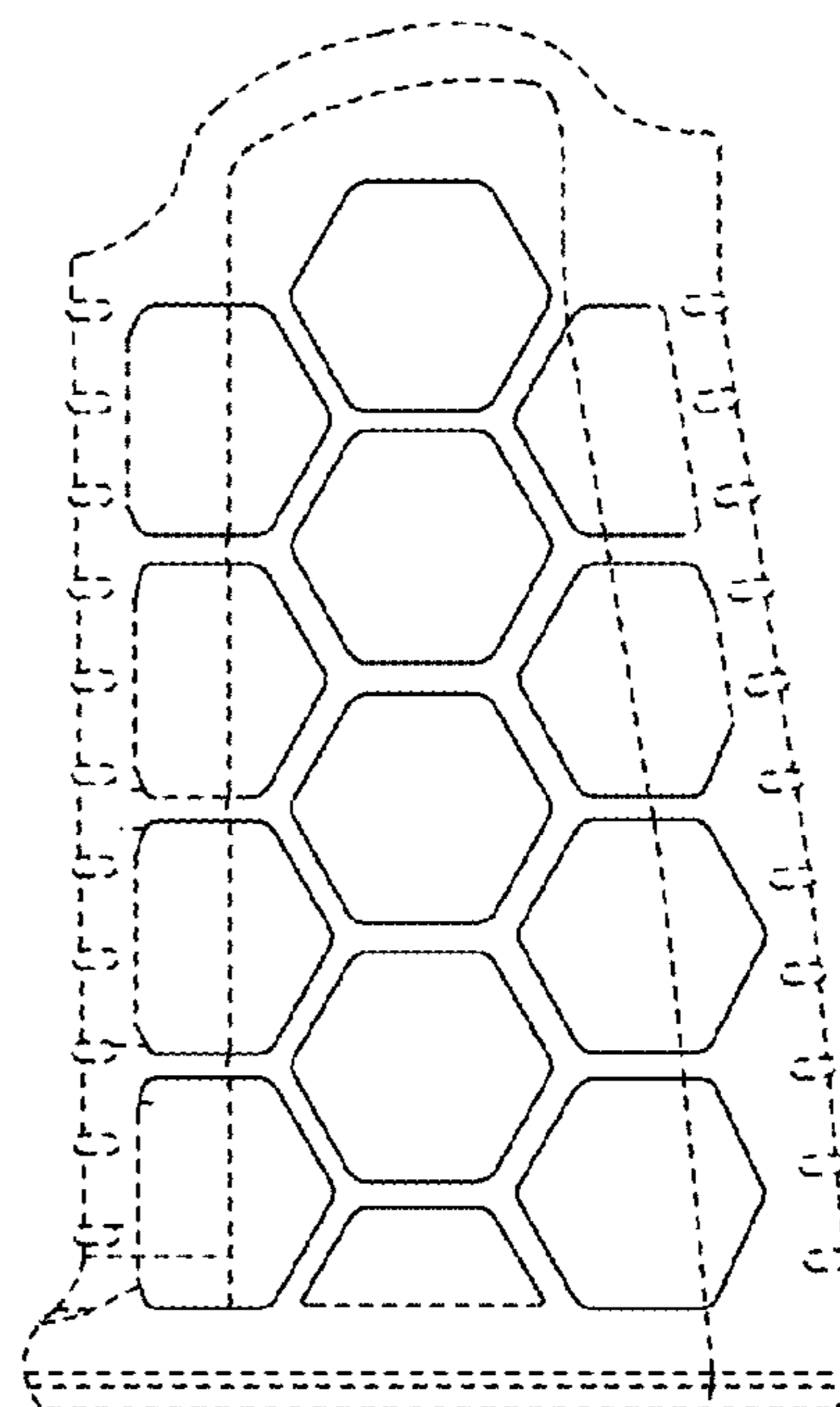
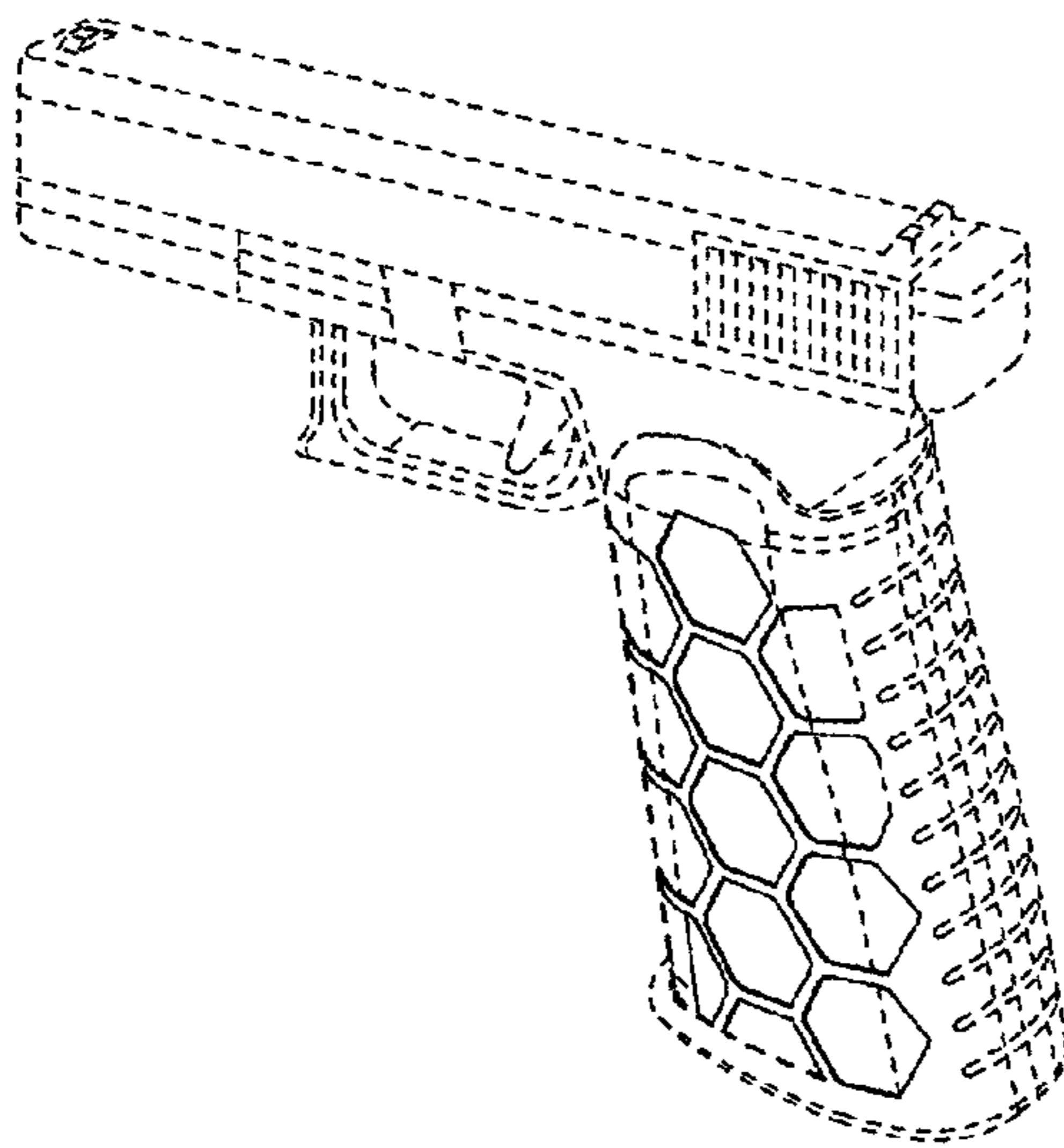
FIG. 5 is a right side elevation view thereof.

FIG. 6 is a bottom plan view thereof; and,

FIG. 7 is a top plan view thereof.

The broken lines in FIGS. 1-7 are included for the purpose of illustrating use and environment, and form no part of the claimed design.

1 Claim, 7 Drawing Sheets



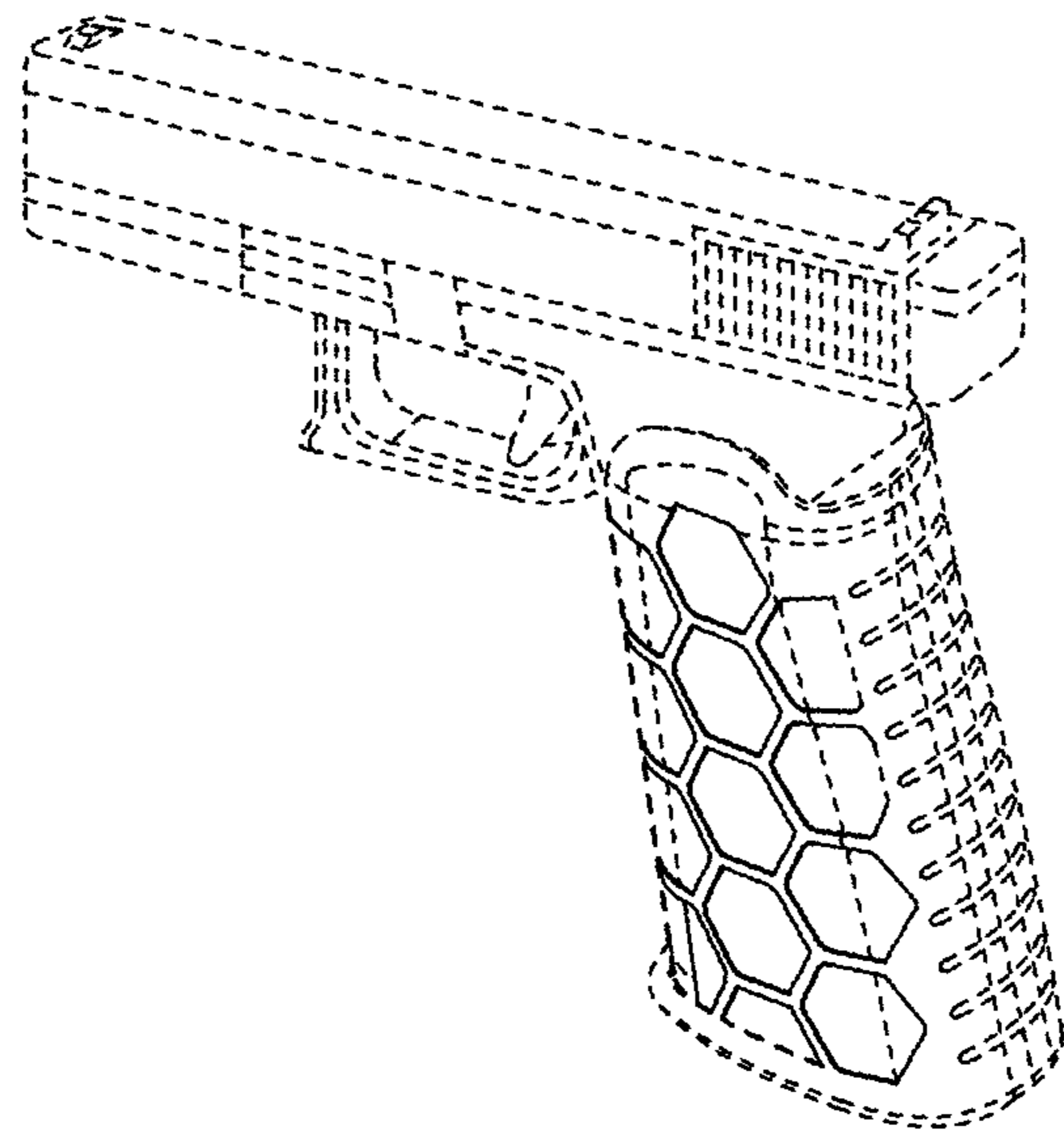


FIG. 1

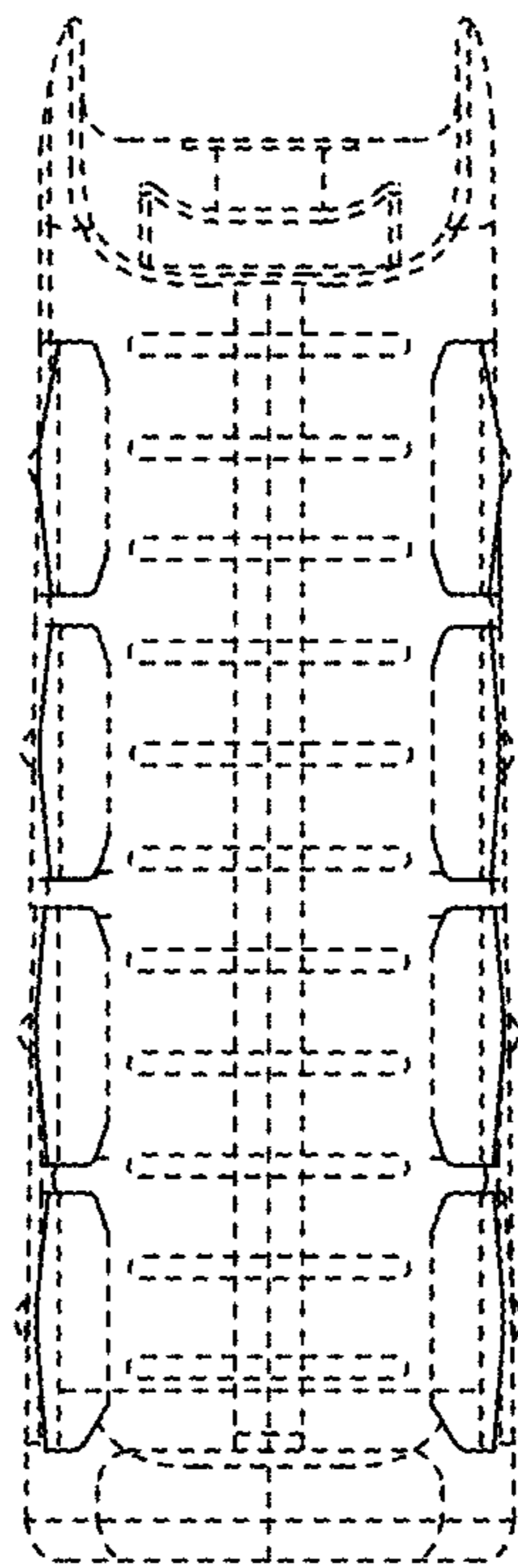


FIG. 2

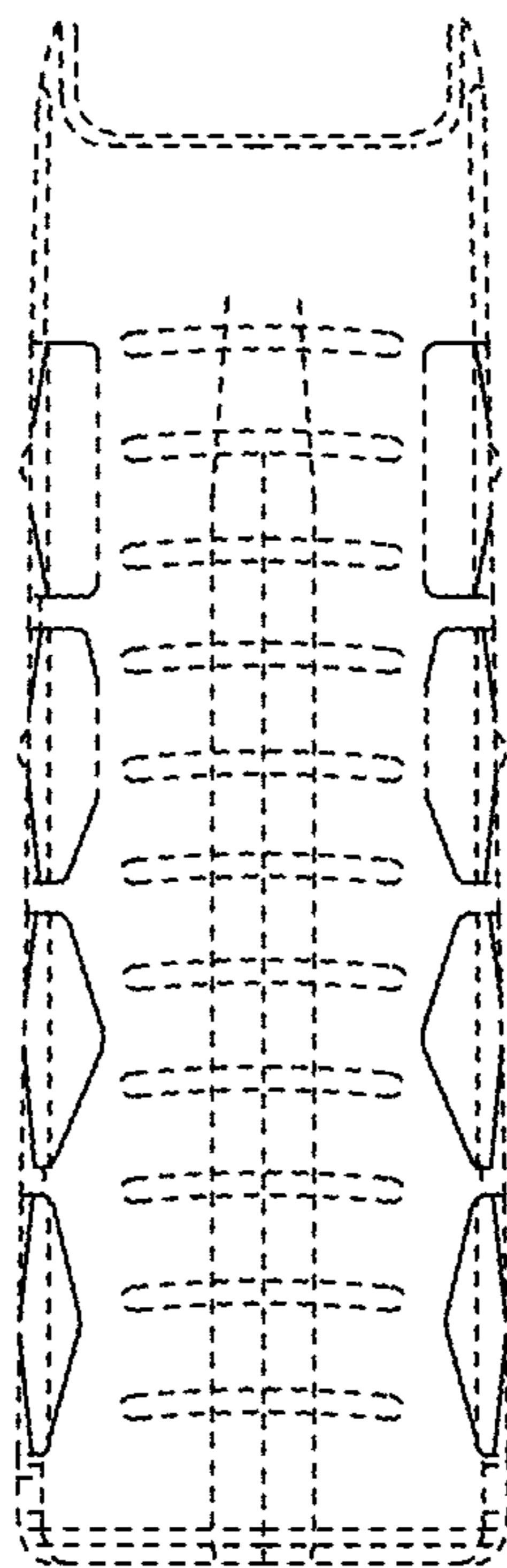


FIG. 3

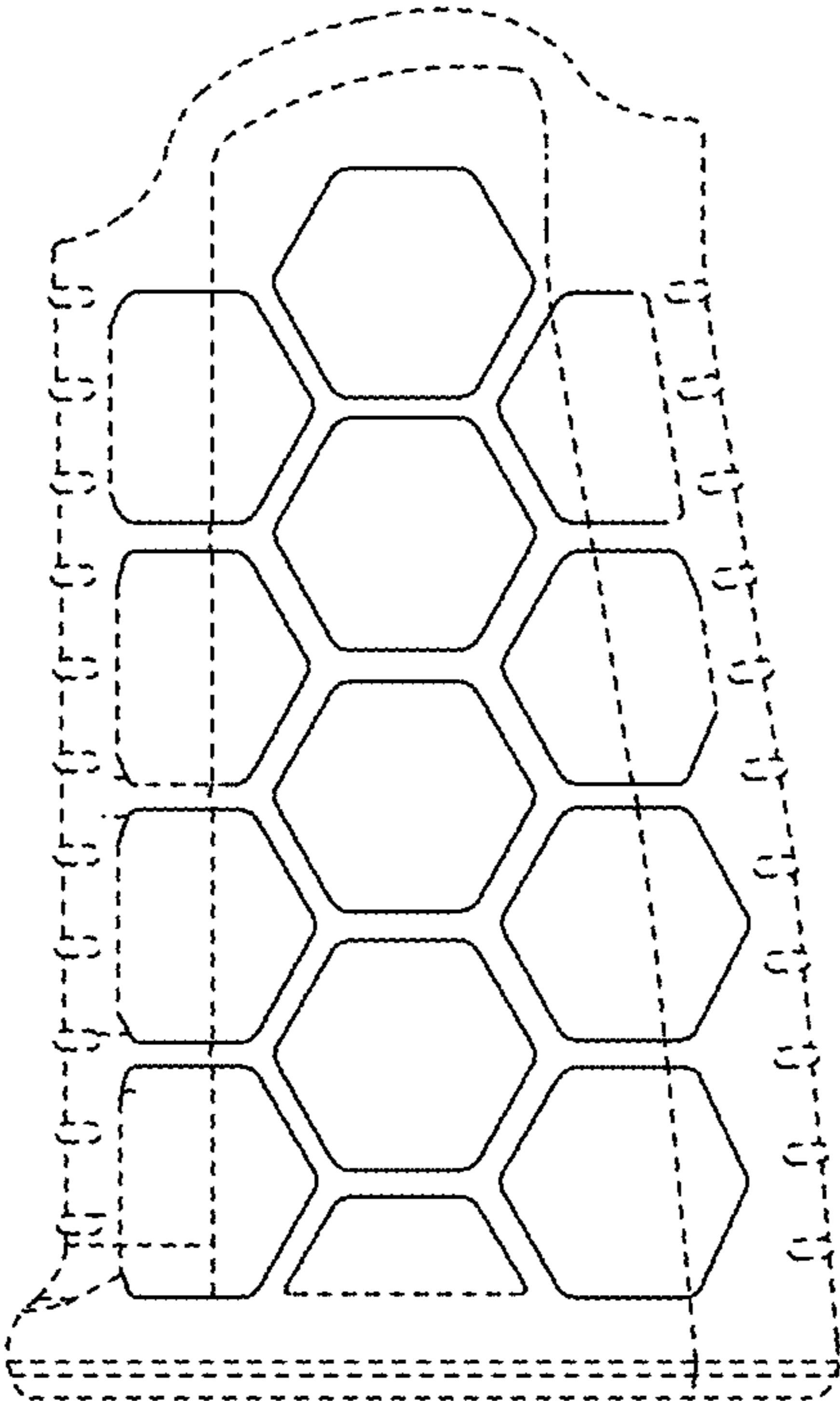


FIG. 4

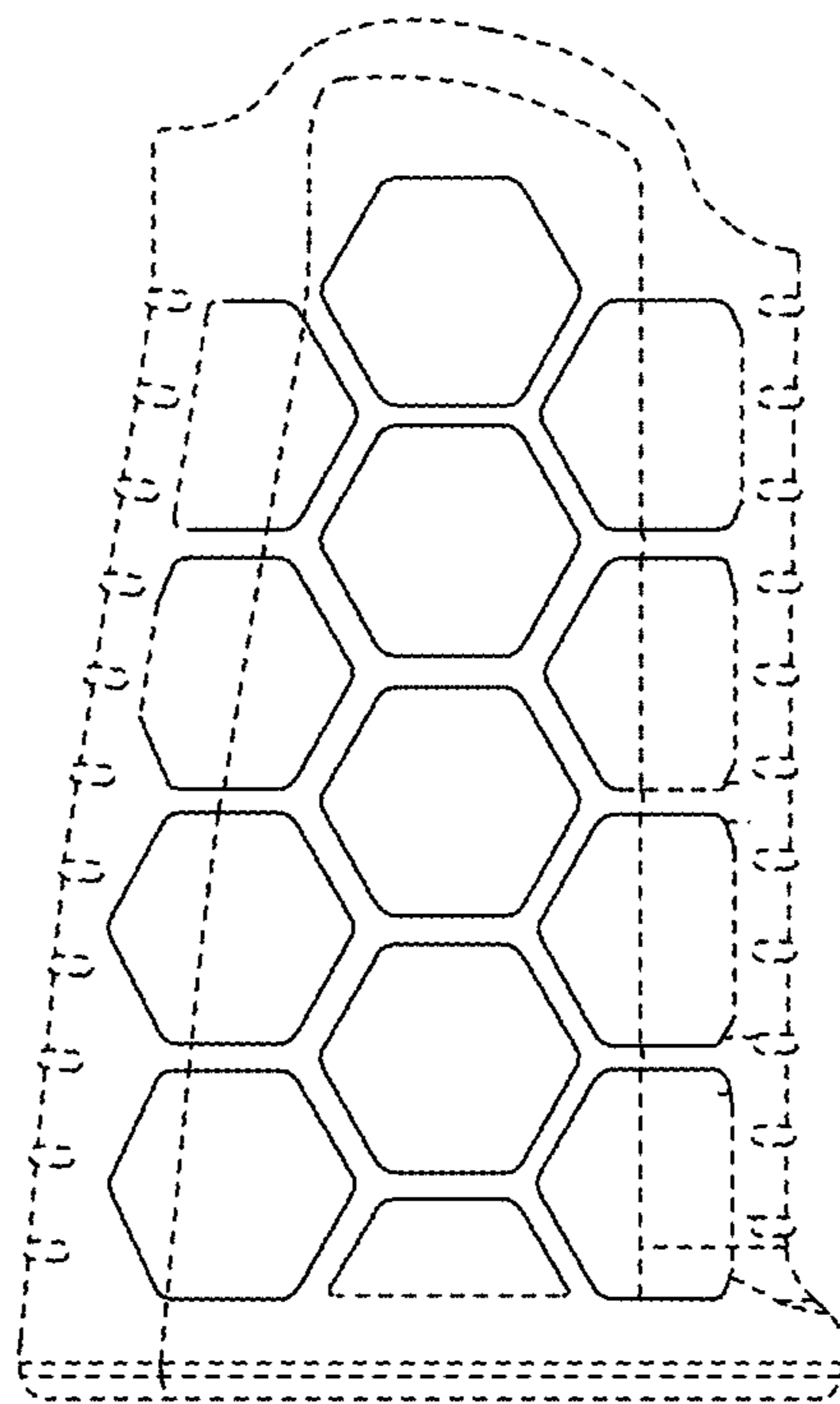


FIG. 5

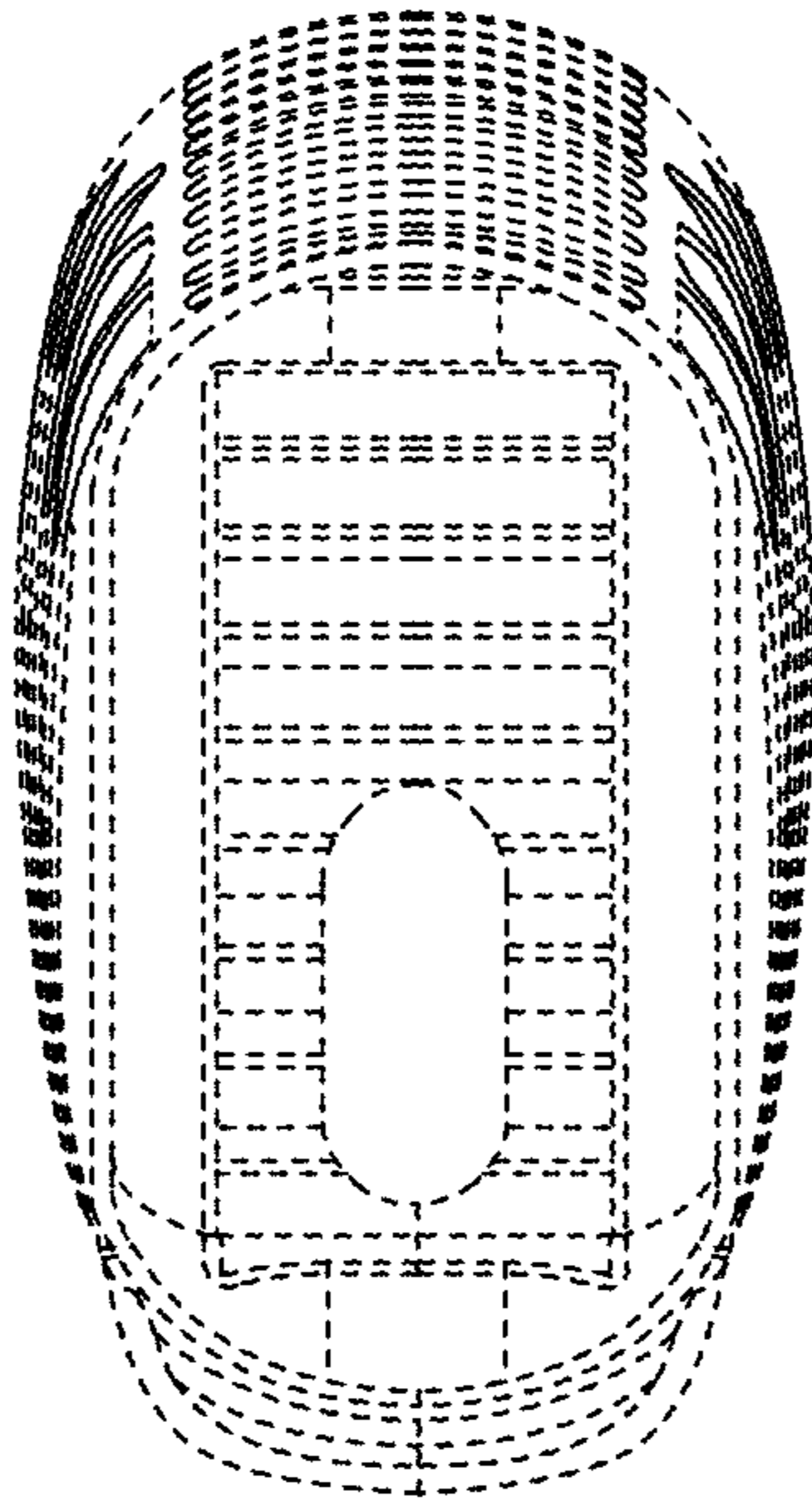


FIG. 6

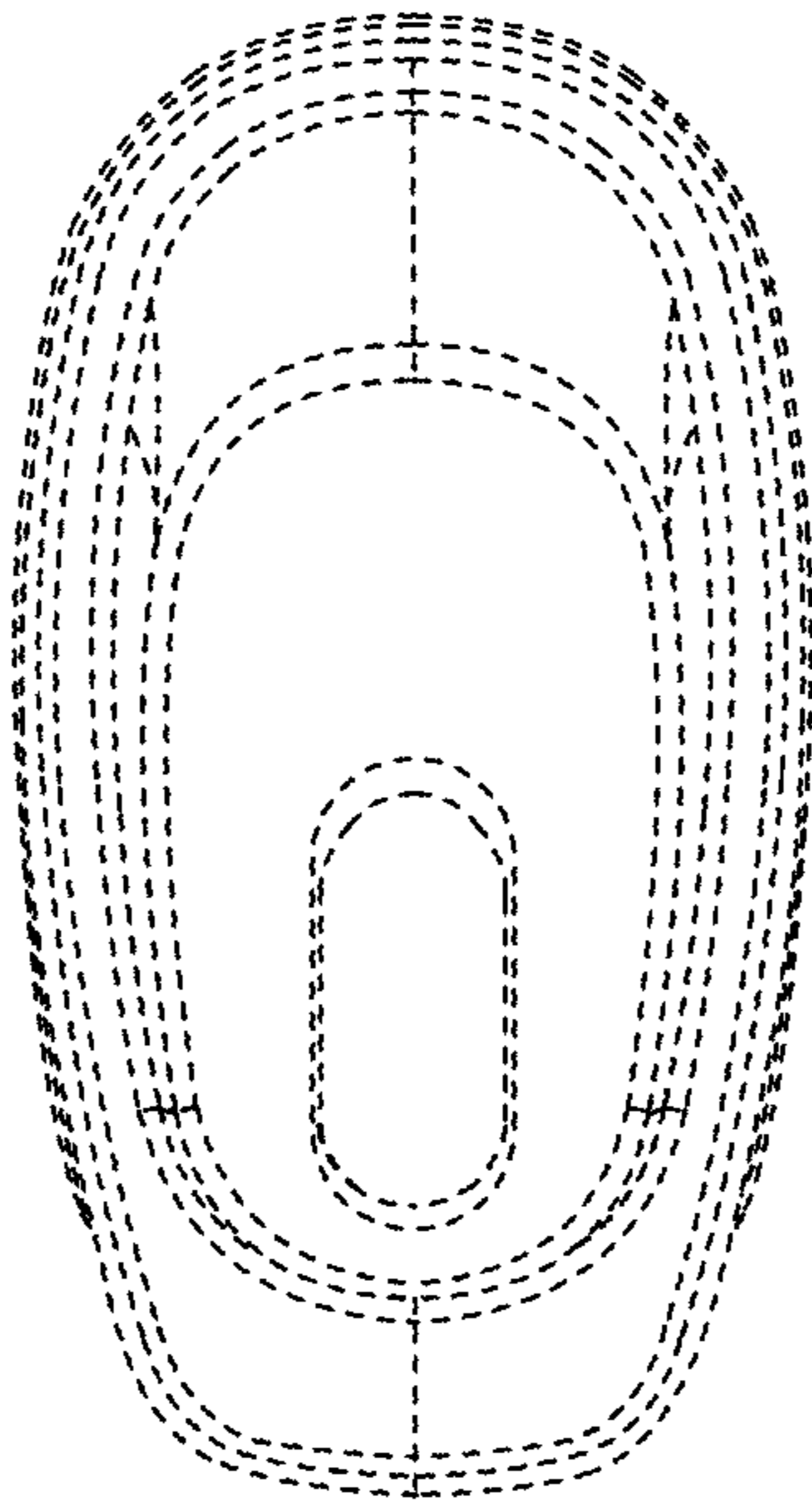


FIG. 7