

US00D769399S

(12) **United States Design Patent**  
**Lam et al.**

(10) **Patent No.:** **US D769,399 S**

(45) **Date of Patent:** **\*\* Oct. 18, 2016**

(54) **PISTOL-STYLE GRIP**

(71) Applicant: **PTS Syndicate Limited**, Kowloon  
(CN)

(72) Inventors: **Samuel Yat Ming Lam**, Hong Kong  
(CN); **James Louis Chu**, Hong Kong  
(CN)

(\*\*) Term: **14 Years**

(21) Appl. No.: **29/519,261**

(22) Filed: **Mar. 3, 2015**

(30) **Foreign Application Priority Data**

Oct. 17, 2014 (HK) ..... 1401966.5M002

(51) **LOC (10) Cl.** ..... **22-01**

(52) **U.S. Cl.**  
USPC ..... **D22/108**

(58) **Field of Classification Search**  
USPC ..... D22/103, 108; D21/572-575; D8/68  
CPC ..... F41C 23/10; F41C 23/14; F41C 23/16;  
F41C 23/18  
See application file for complete search history.

(56) **References Cited**

**U.S. PATENT DOCUMENTS**

D302,289 S \* 7/1989 Lambert ..... D22/108  
D667,916 S \* 9/2012 Mayberry ..... D22/108

D706,377 S \* 6/2014 Zayatz ..... D22/108  
D709,585 S \* 7/2014 Klecker ..... D22/108  
D722,125 S \* 2/2015 Zayatz ..... D22/108  
D726,861 S \* 4/2015 Siddle ..... D22/108  
D732,135 S \* 6/2015 Webber ..... D22/108

\* cited by examiner

*Primary Examiner* — Michael A Pratt

(74) *Attorney, Agent, or Firm* — Geoffrey E. Dobbin;  
Dobbin IP Law P.C.

(57) **CLAIM**

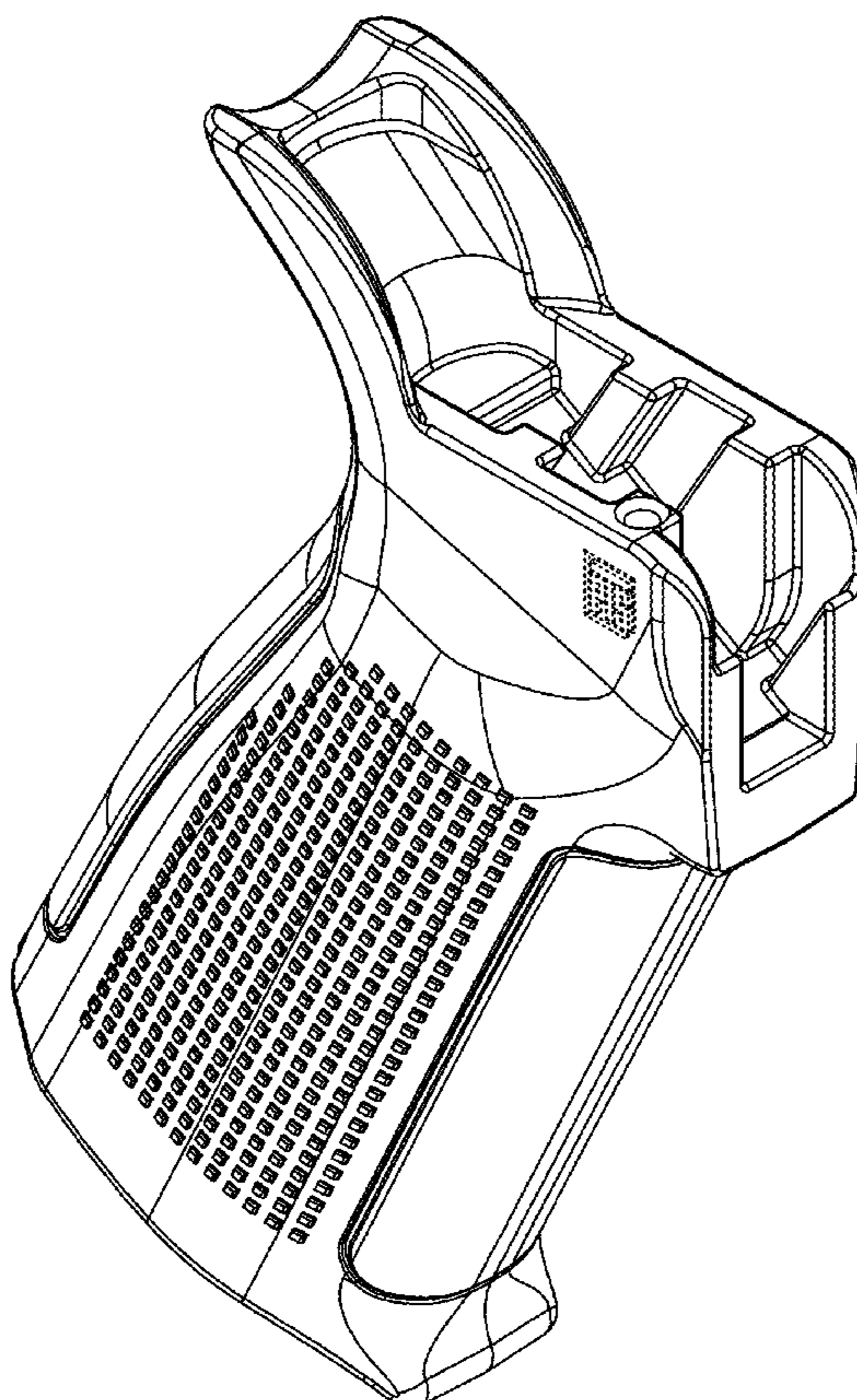
The ornamental design for a pistol-style grip, as shown and described.

**DESCRIPTION**

FIG. 1 is a perspective view of the pistol-style grip.  
FIG. 2 is a right elevation of the pistol-style grip.  
FIG. 3 is a left elevation of the pistol-style grip.  
FIG. 4 is a top plan view of the pistol-style grip.  
FIG. 5 is a bottom plan view of the pistol style grip.  
FIG. 6 is a front elevation of the pistol-style grip.  
FIG. 7 is a rear elevation of the pistol-style grip; and,  
FIG. 8 is an alternate perspective view of the pistol-style grip.

The broken lines in FIGS. 1, 2 and 4 through 7 depict surface indicia and internal structure which illustrate portions of the pistol-style grip which form no part of the claimed design.

**1 Claim, 6 Drawing Sheets**



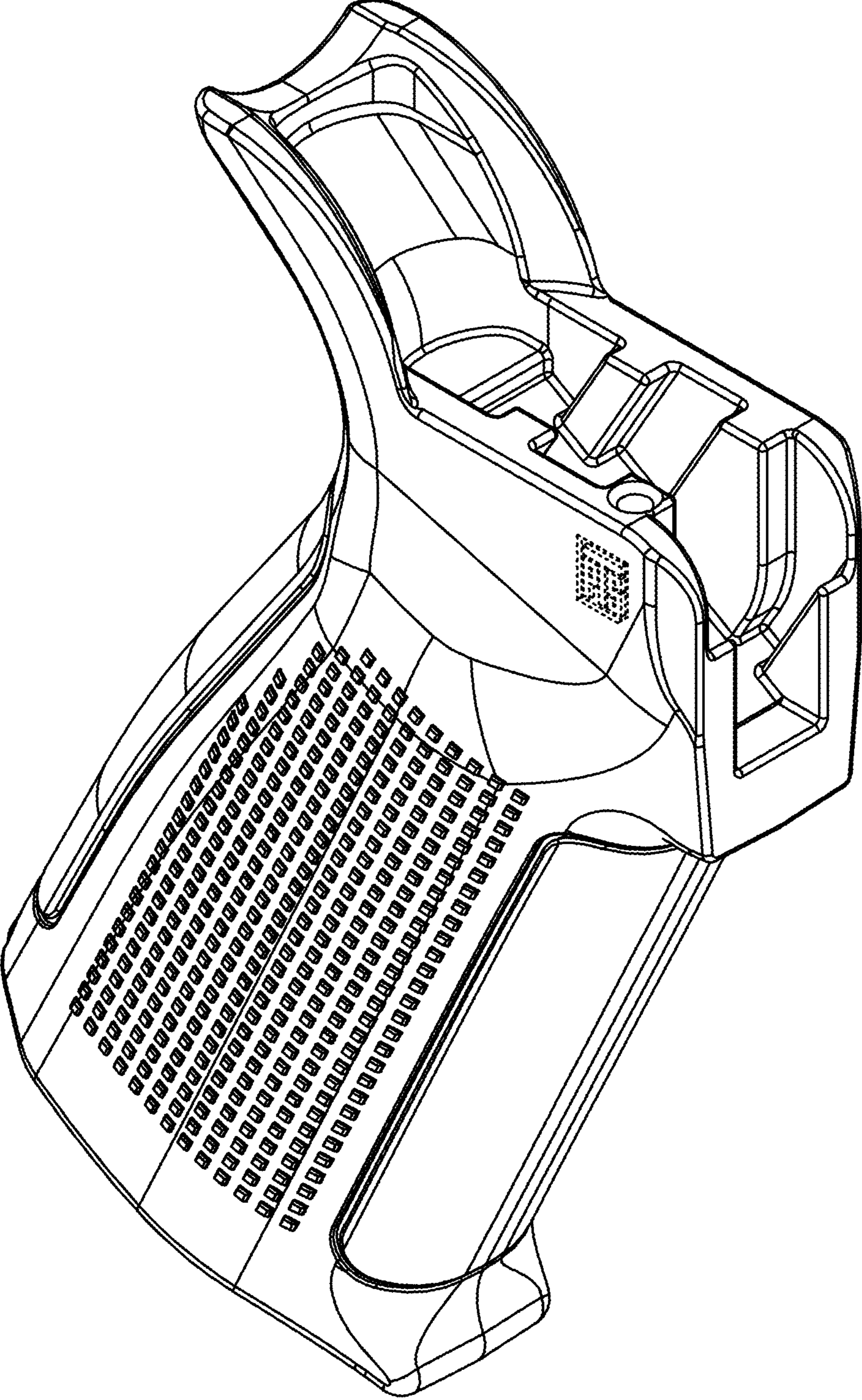


FIG. 1

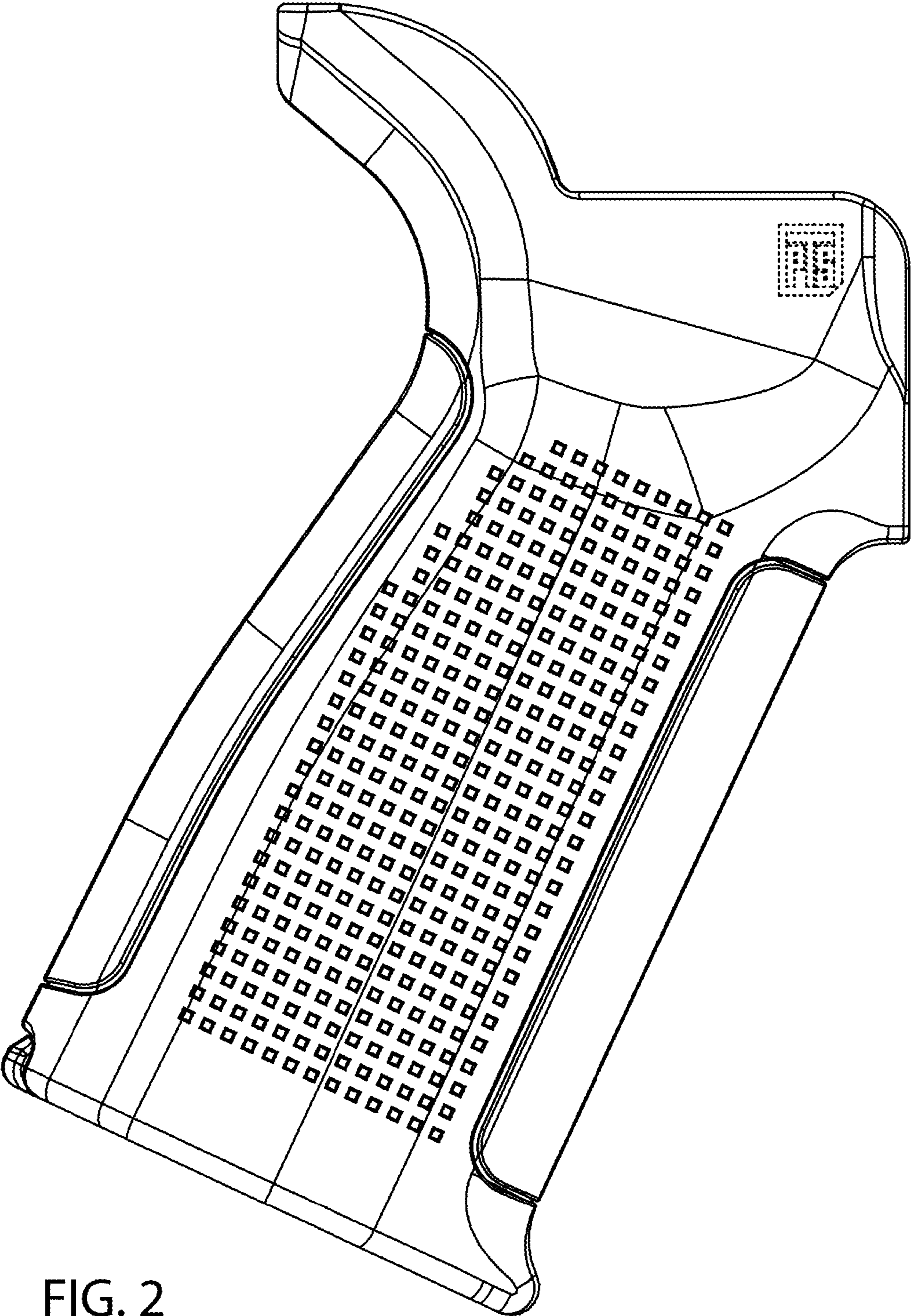


FIG. 2

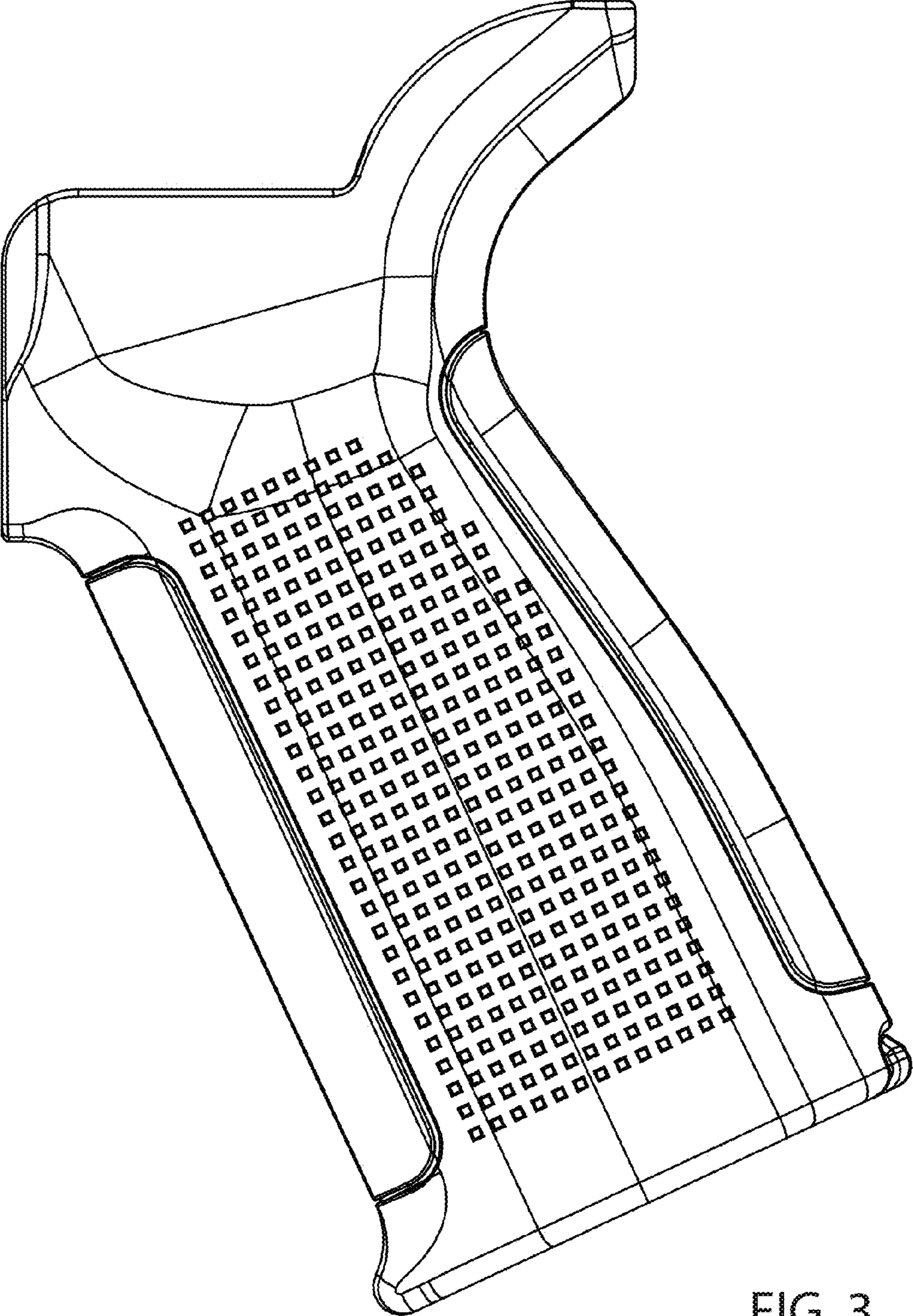


FIG. 3

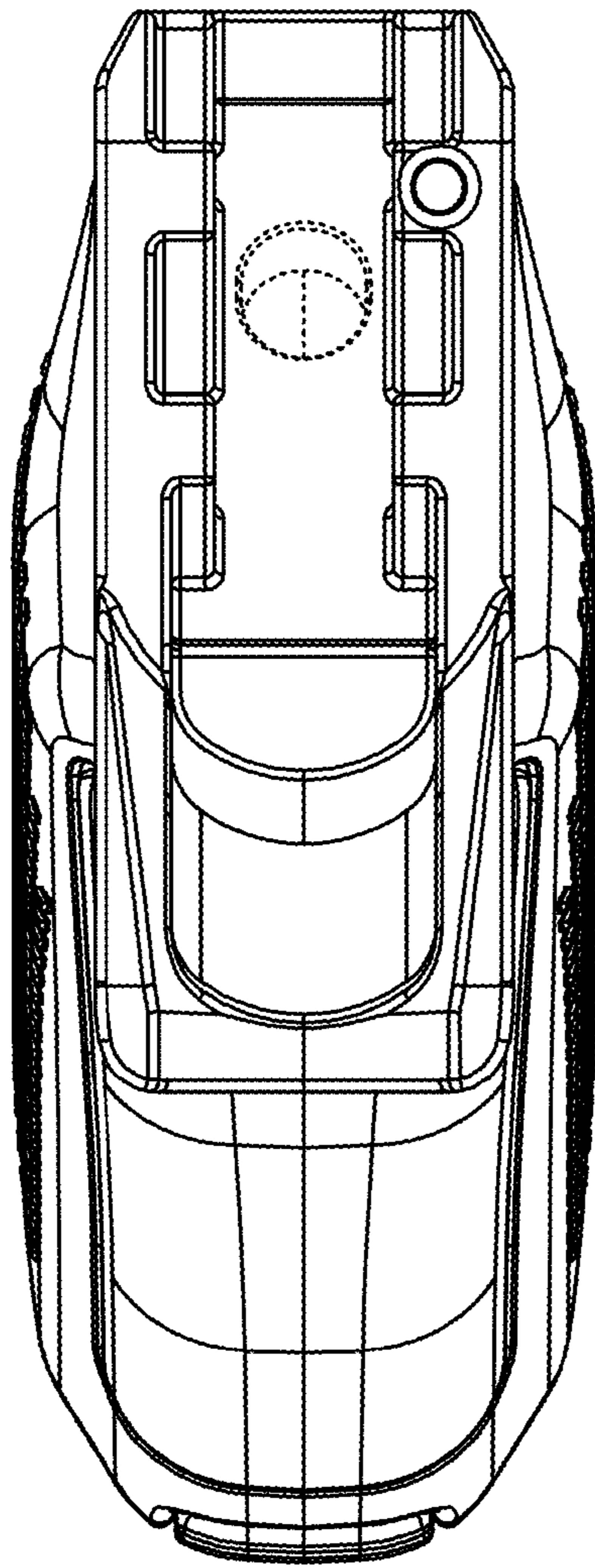


FIG. 4

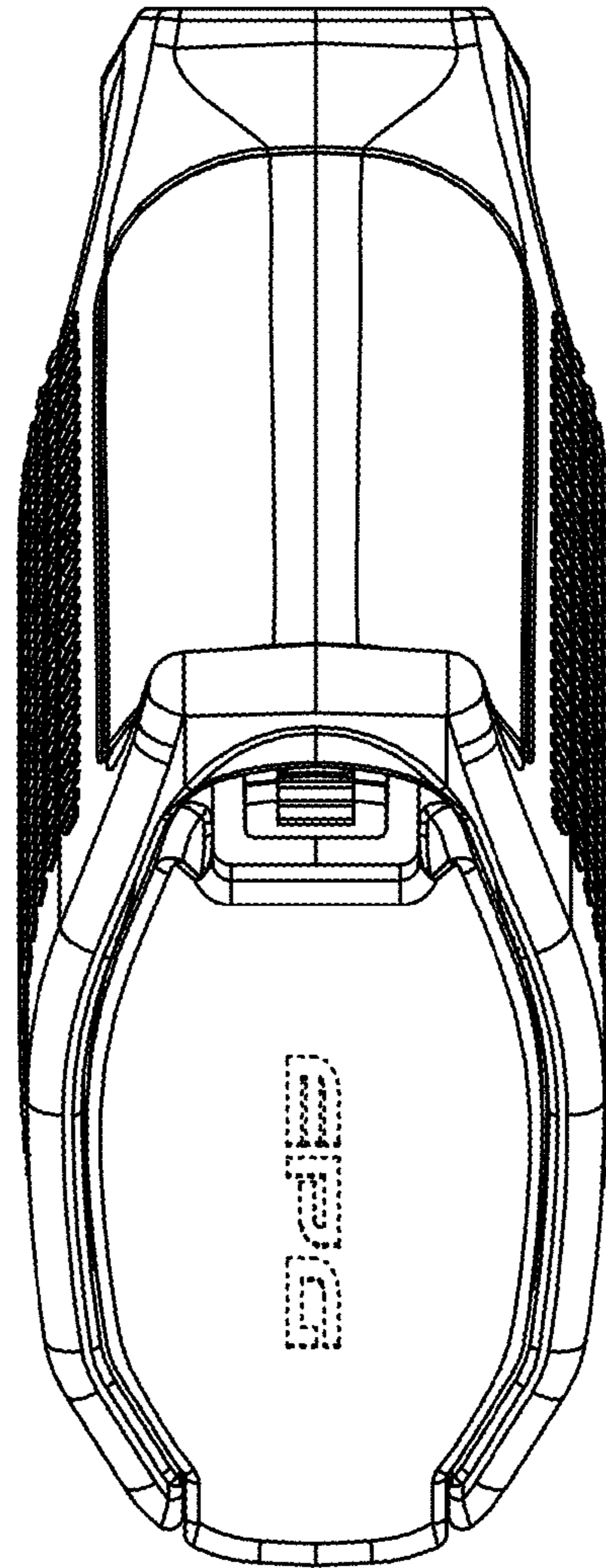


FIG. 5

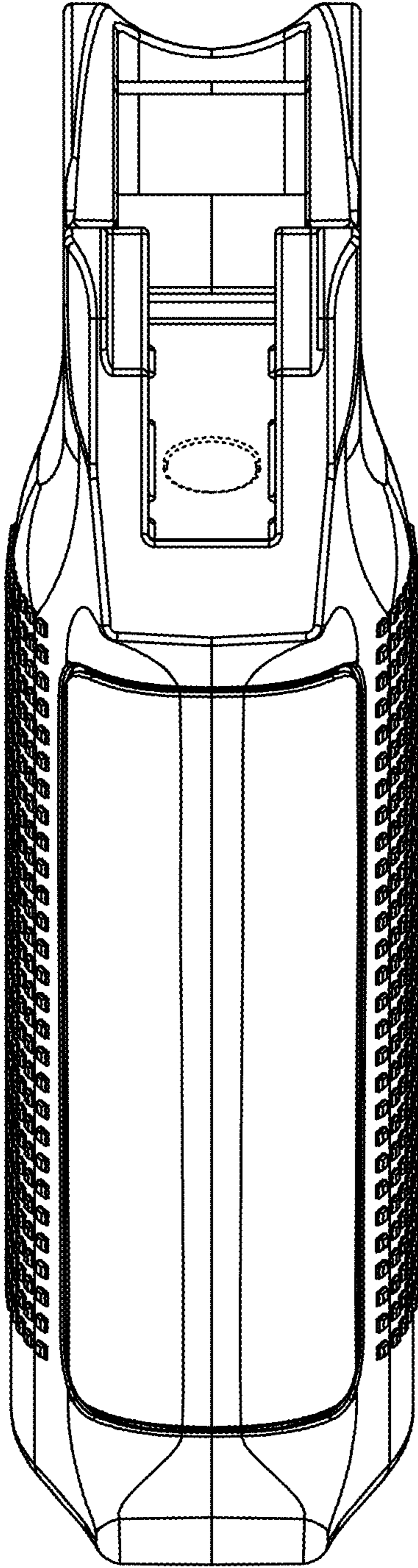


FIG. 6

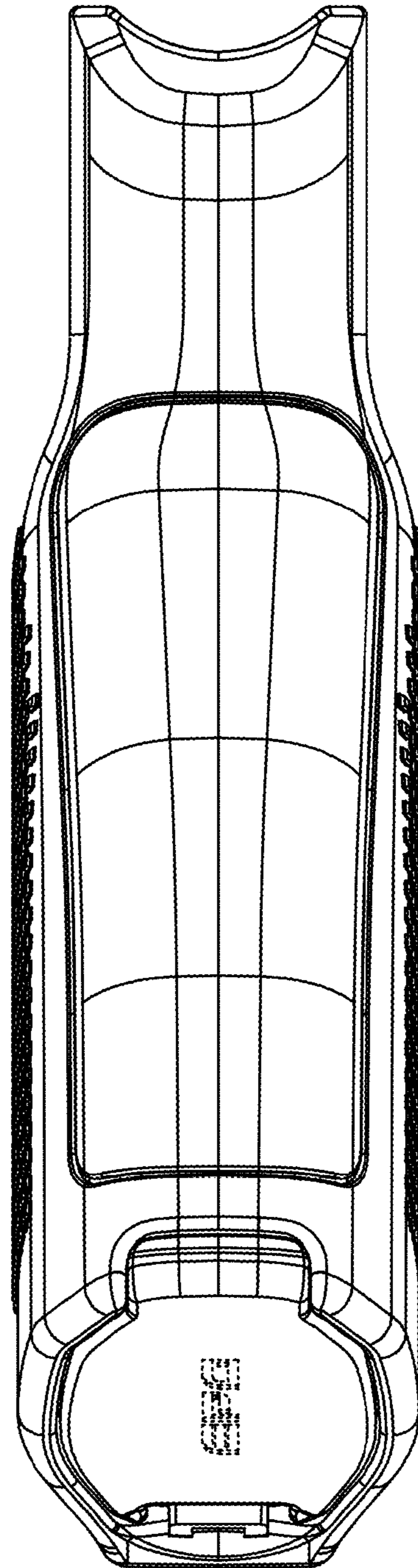


FIG. 7

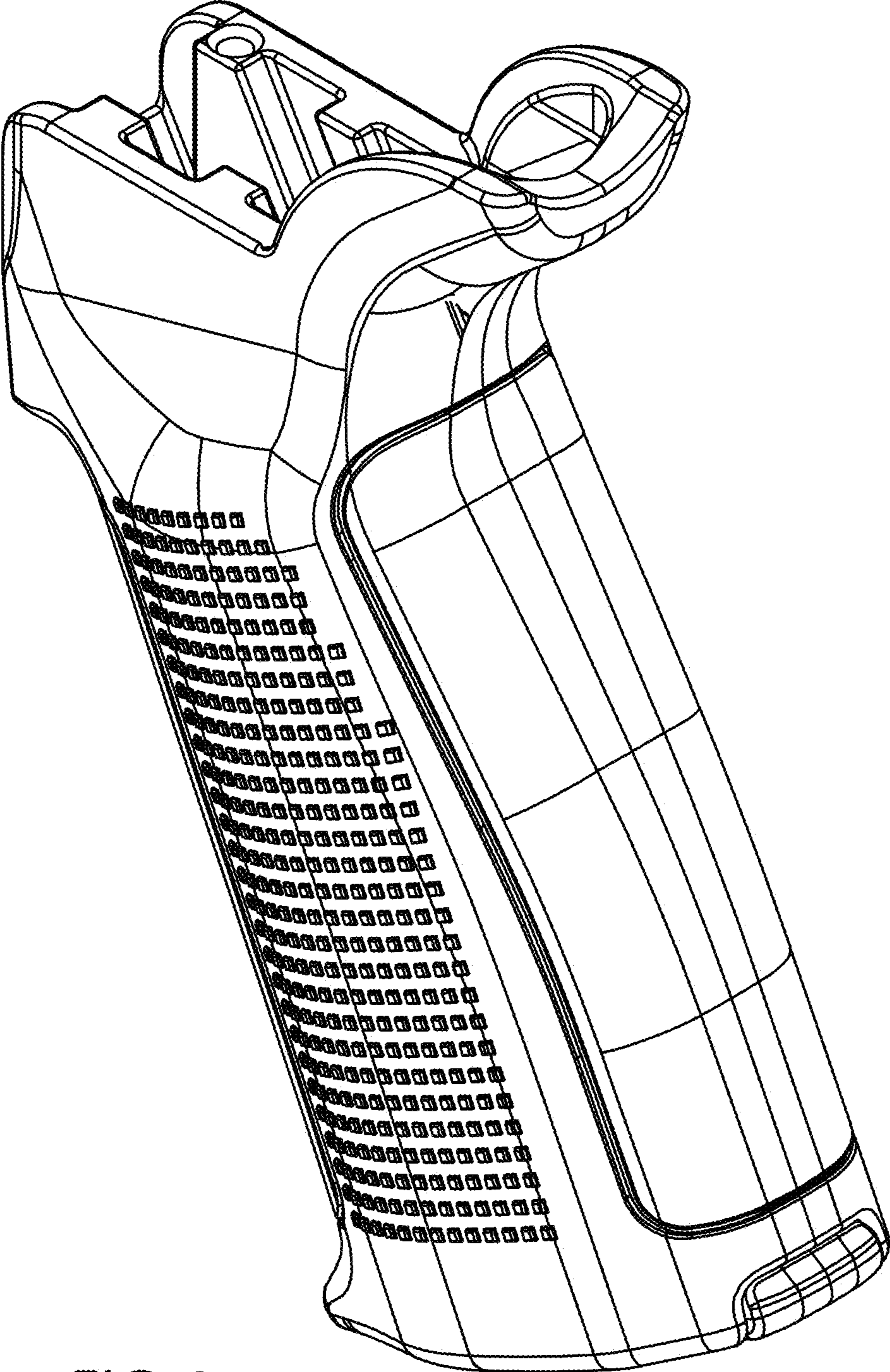


FIG. 8