



US00D769397S

(12) **United States Design Patent**
Lam et al.

(10) **Patent No.:** **US D769,397 S**
(45) **Date of Patent:** **** Oct. 18, 2016**

- (54) **MAGAZINE FLOOR PLATE**
- (71) Applicant: **PTS Syndicate Limited**, Kowloon (CN)
- (72) Inventors: **Samuel Yat Ming Lam**, Hong Kong (CN); **James Louis Chu**, Hong Kong (CN)
- (**) Term: **14 Years**
- (21) Appl. No.: **29/519,259**
- (22) Filed: **Mar. 3, 2015**
- (51) **LOC (10) Cl.** **22-01**
- (52) **U.S. Cl.**
USPC **D22/108**
- (58) **Field of Classification Search**
USPC D22/108
CPC F41A 9/70; F41A 9/65; F41A 9/71; F41A 9/68; F41A 9/69; F41A 11/02; F41A 9/61; F41A 9/00; F41A 9/17; F41A 9/23; F41A 9/34; F41A 9/84
See application file for complete search history.

- D680,613 S * 4/2013 Fitzpatrick D22/108
- D726,279 S * 4/2015 Stedman D22/108
- D745,944 S * 12/2015 Kielsmeier D22/108
- D757,884 S * 5/2016 Kielsmeier D22/108
- 2012/0066950 A1* 3/2012 Davidson F41A 9/70
42/50
- 2012/0317857 A1* 12/2012 Fitzpatrick F41A 9/62
42/50
- 2015/0276339 A1* 10/2015 Shreve F41A 9/71
42/50

* cited by examiner

Primary Examiner — Michael A Pratt

(74) *Attorney, Agent, or Firm* — Geoffrey E. Dobbin; Dobbin IP Law P.C.

(57) **CLAIM**

The ornamental design for a magazine floor plate, as shown and described.

DESCRIPTION

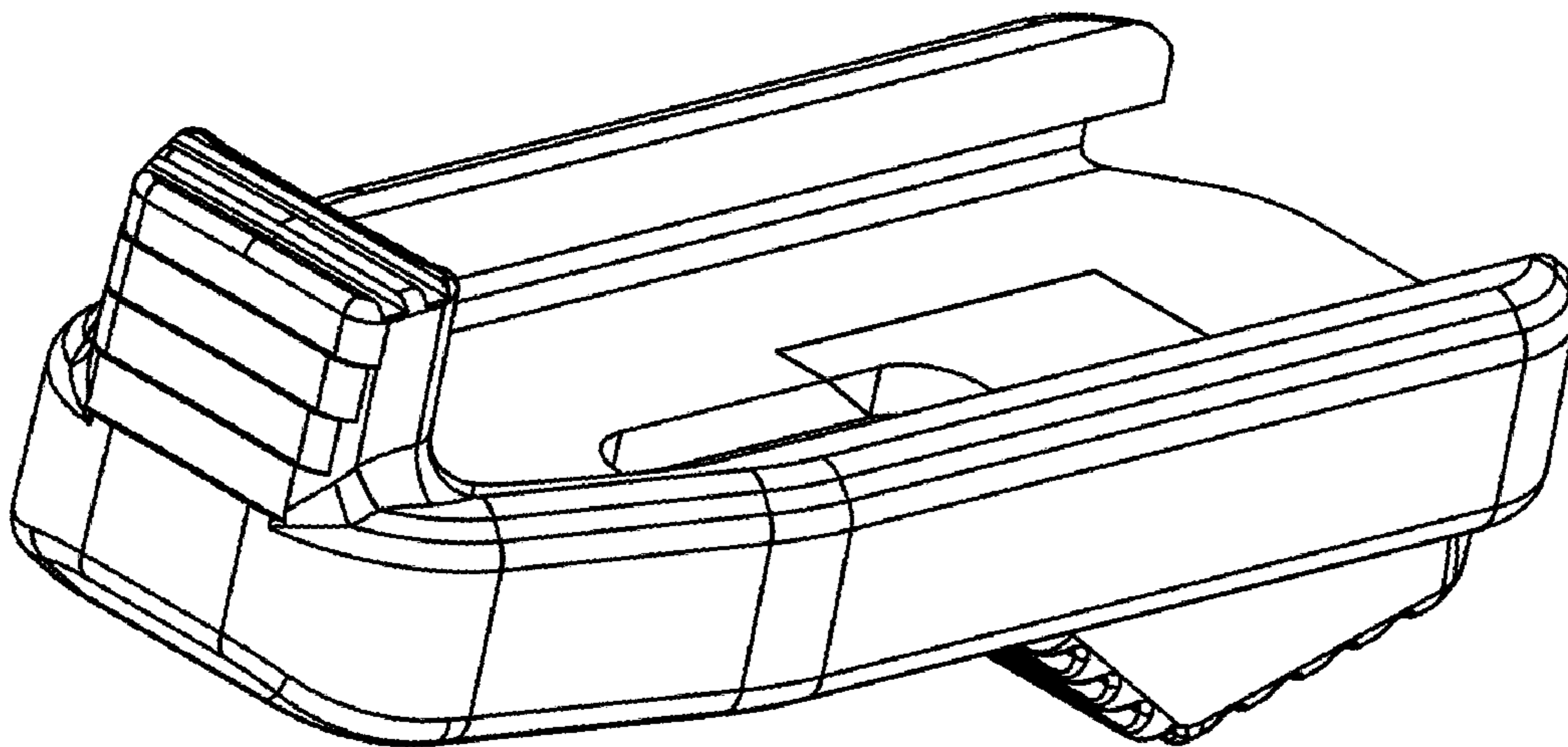
FIG. 1 is a perspective view of the magazine floor plate. FIG. 2 is a right elevation of the magazine floor plate. FIG. 3 is a left elevation of the magazine floor plate. FIG. 4 is a front elevation of the magazine floor plate. FIG. 5 is a rear elevation of the magazine floor plate. FIG. 6 is a top plan view of the magazine floor plate. FIG. 7 is a bottom plan view of the magazine floor plate; and, FIG. 8 is an alternate perspective view of the magazine floor plate.

1 Claim, 4 Drawing Sheets

(56) **References Cited**

U.S. PATENT DOCUMENTS

- D362,044 S * 9/1995 Sniezak D22/100
- 7,958,660 B2 * 6/2011 Fitzpatrick F41A 9/65
42/50
- D642,647 S * 8/2011 Fitzpatrick D22/108
- 8,061,255 B1 * 11/2011 Boberg F41A 9/23
42/16



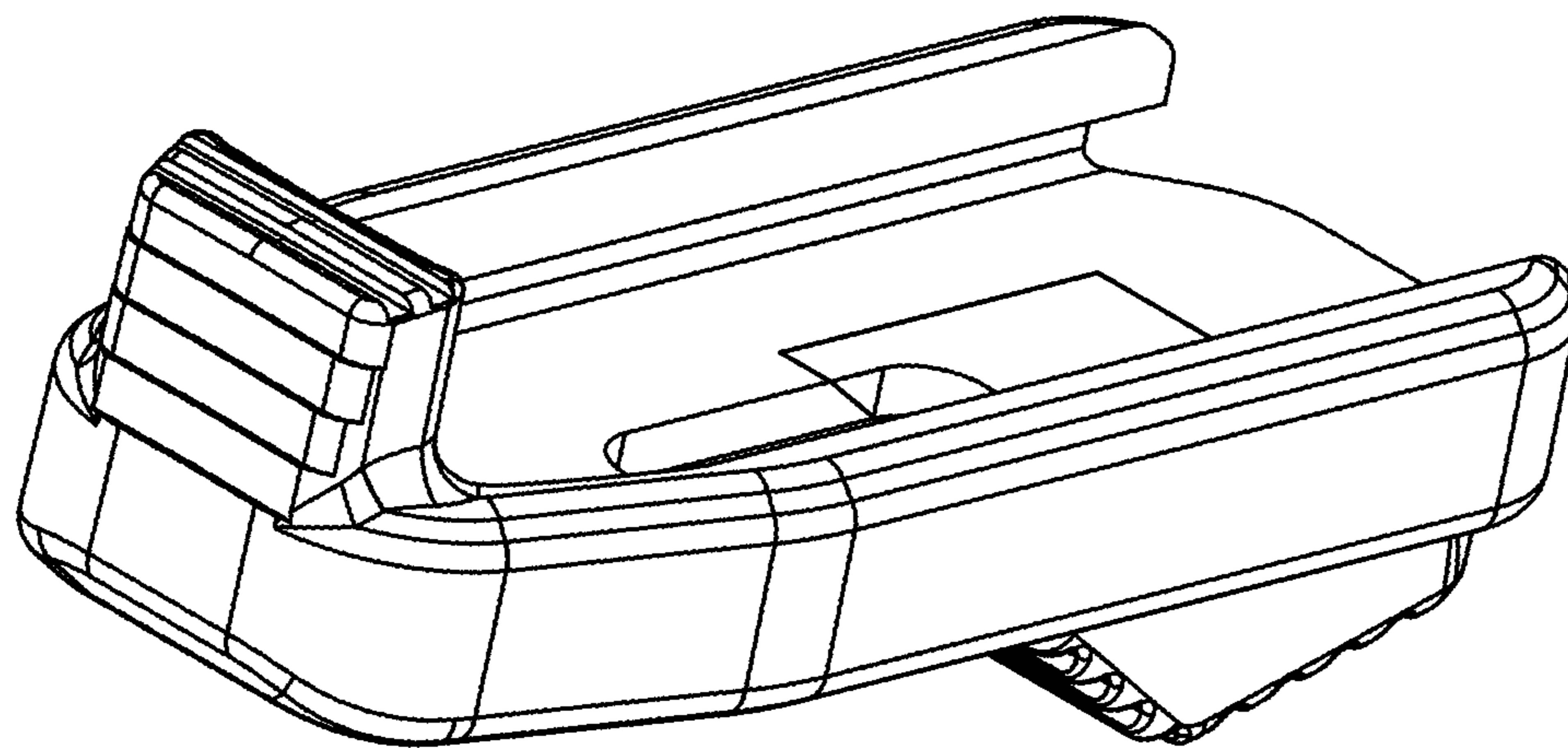


FIG. 1

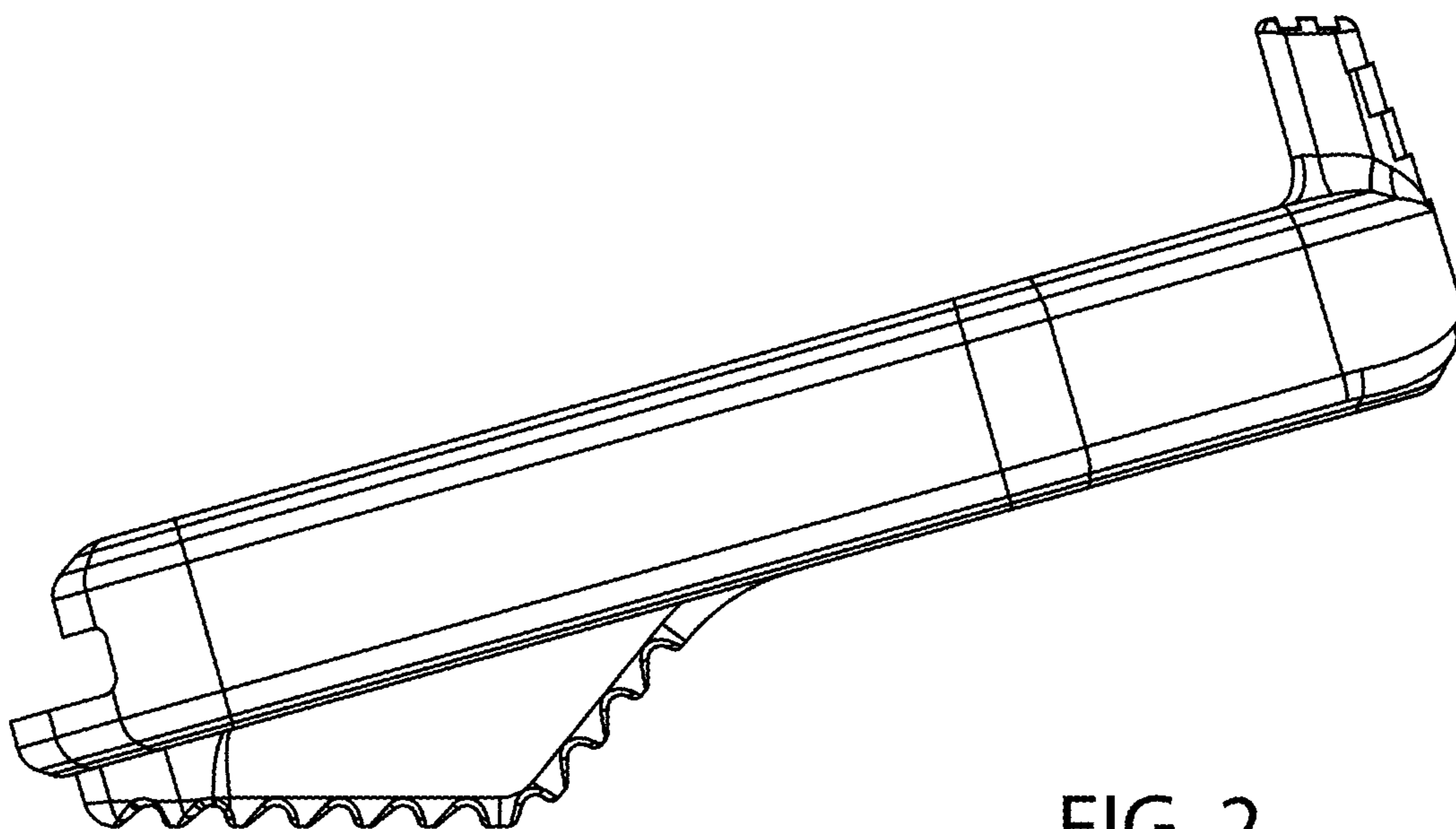


FIG. 2

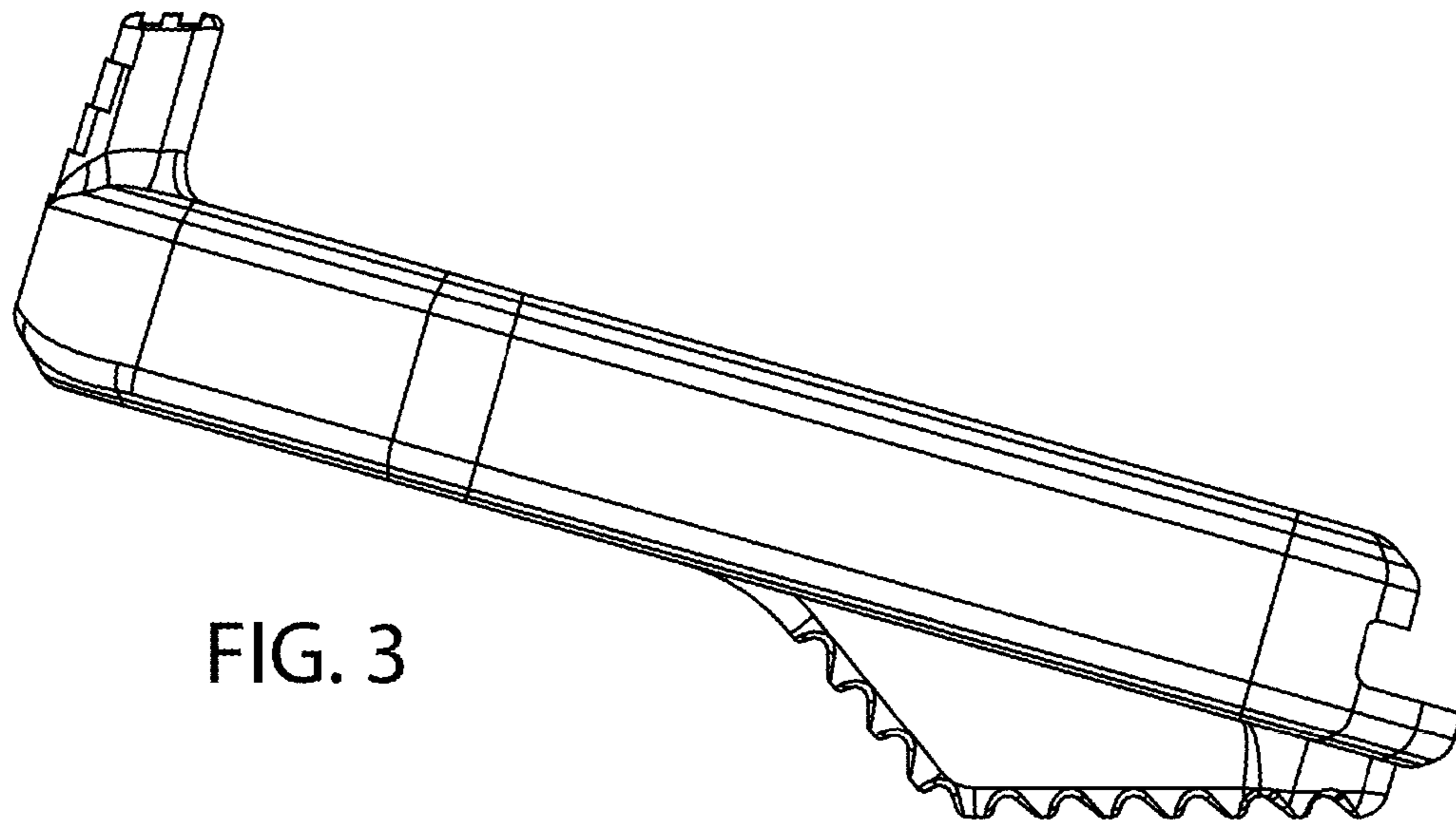


FIG. 3

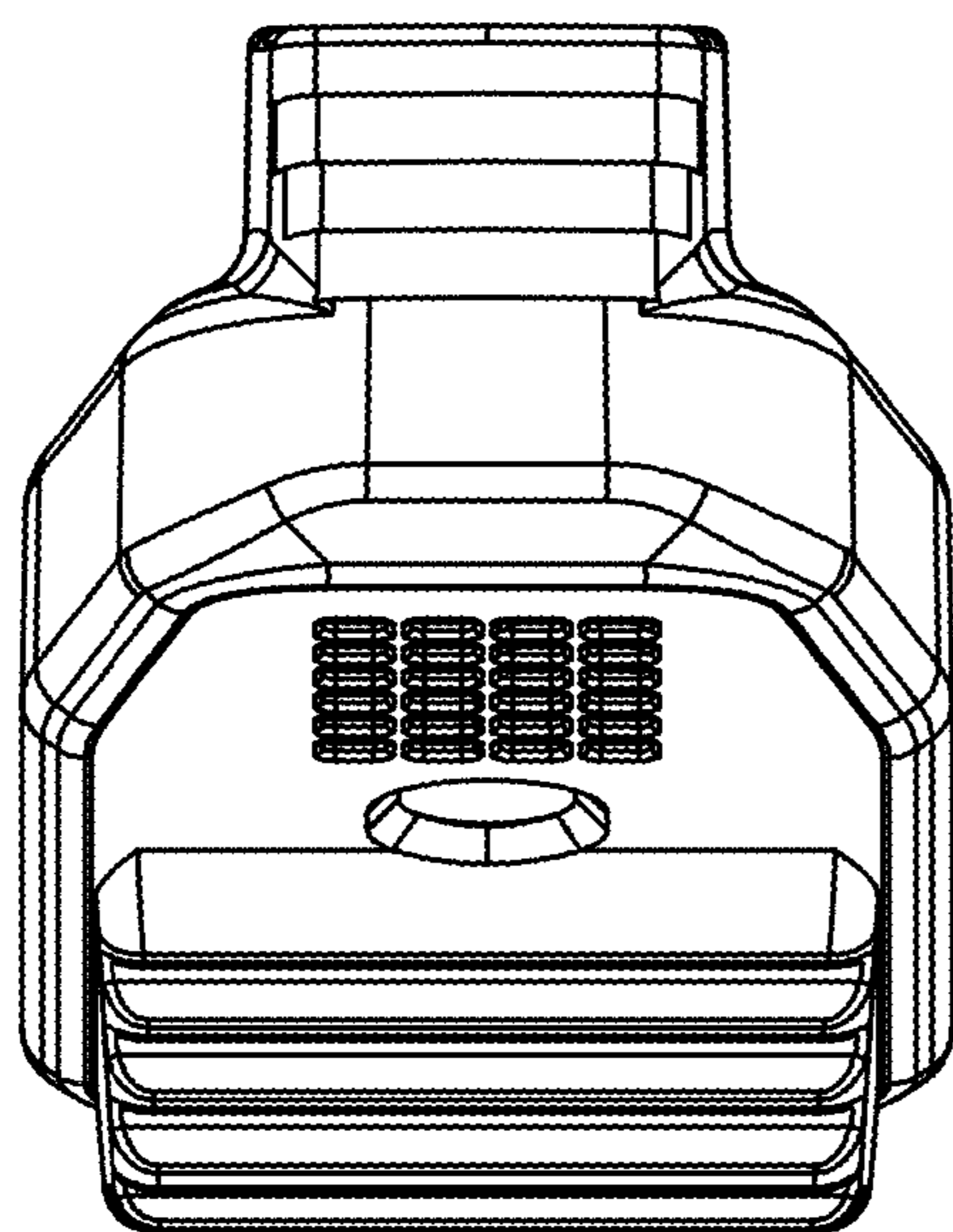


FIG. 4

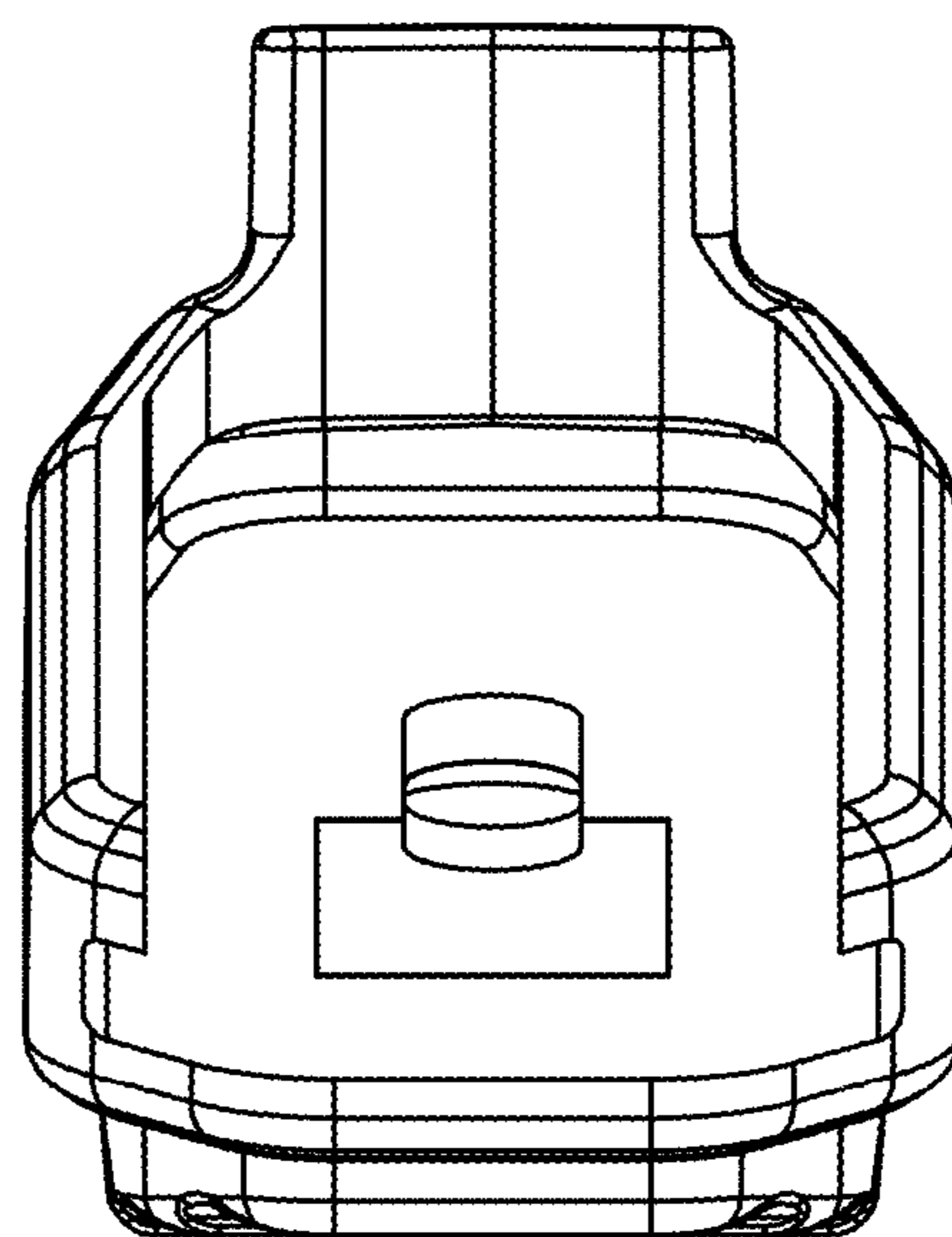


FIG. 5

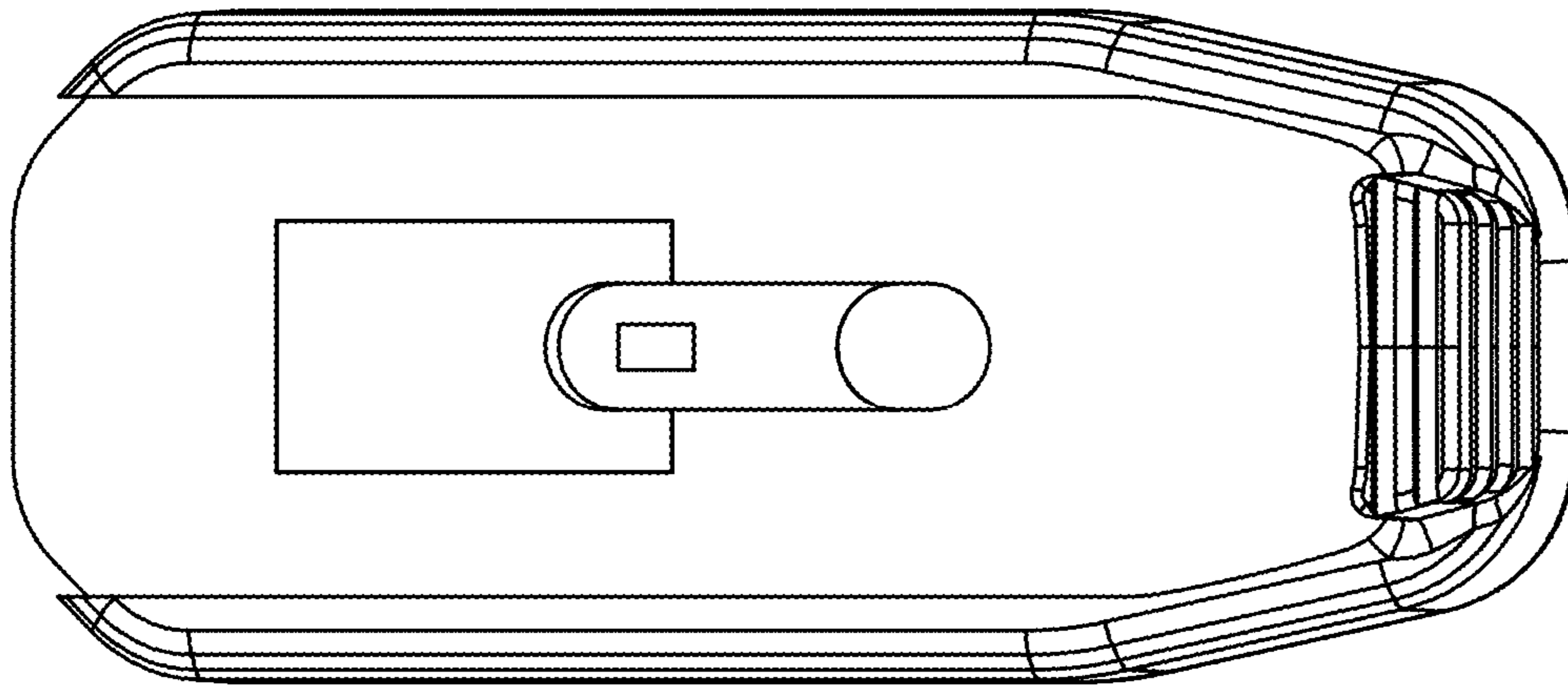


FIG. 6

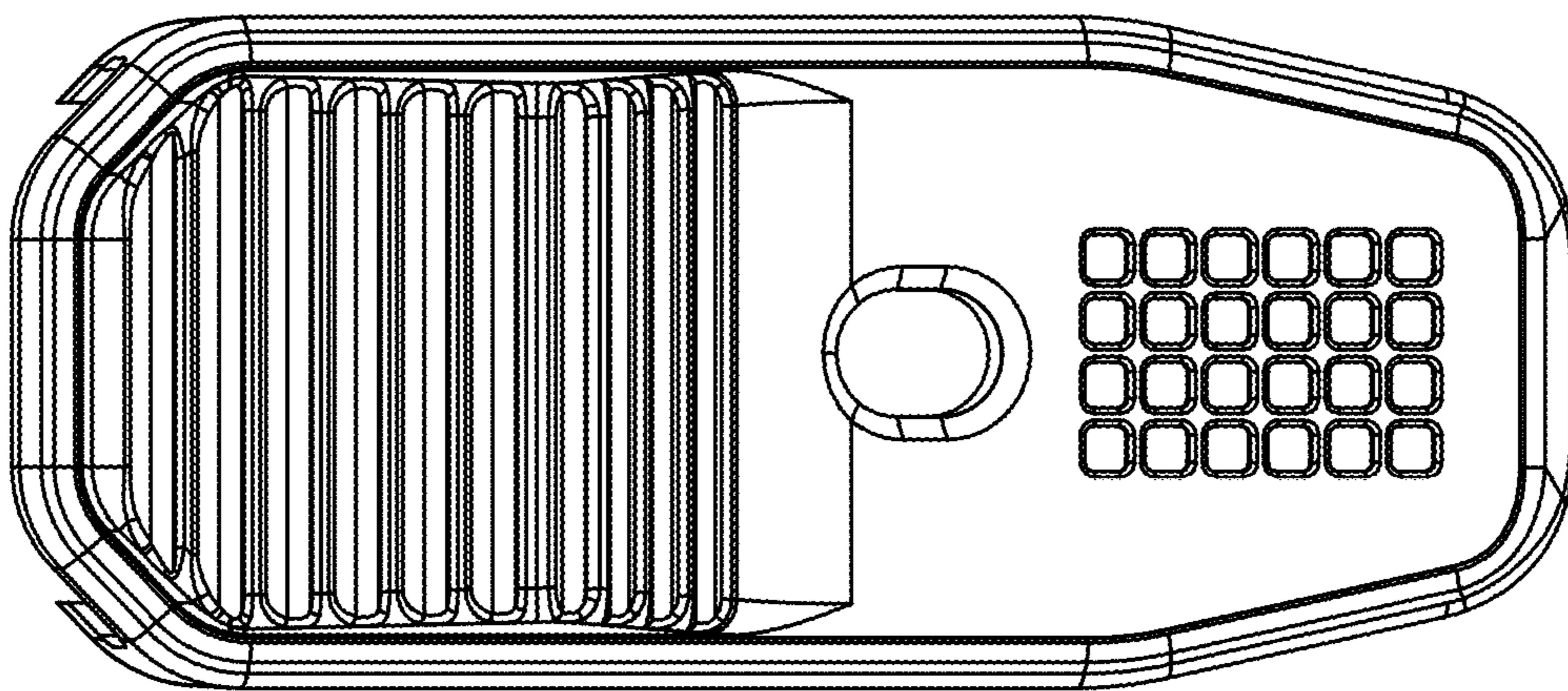


FIG. 7

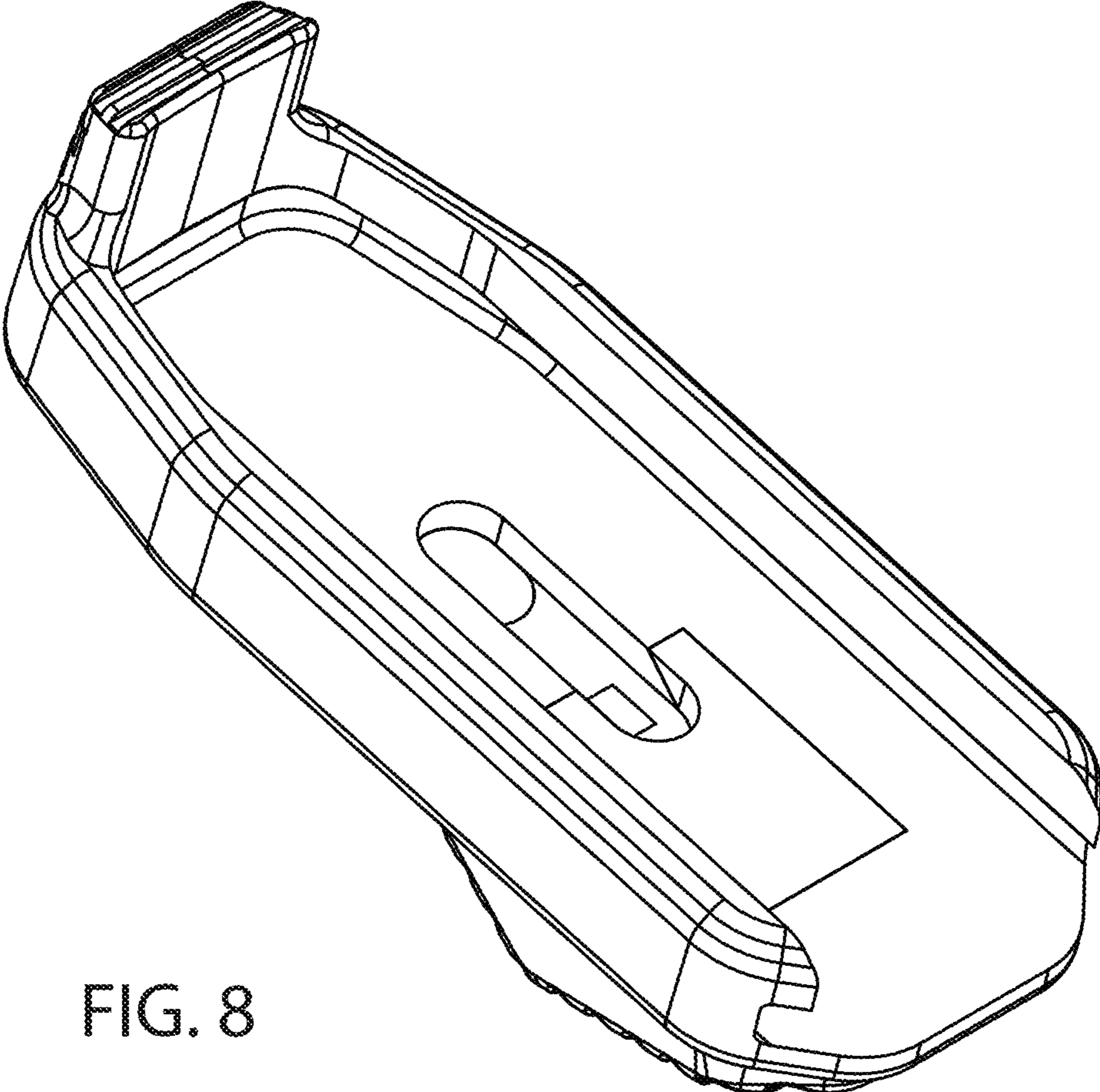


FIG. 8