



US00D769396S

(12) **United States Design Patent**
Keller, II

(10) **Patent No.:** **US D769,396 S**

(45) **Date of Patent:** **** Oct. 18, 2016**

- (54) **ADJUSTABLE RIFLE STOCK**
- (71) Applicant: **Safety Harbor Firearms Inc.**, Safety Harbor, FL (US)
- (72) Inventor: **Walter W. Keller, II**, Safety Harbor, FL (US)
- (73) Assignee: **SAFETY HARBOR FIREARMS INC.**, Safety Harbor, FL (US)
- (**) Term: **14 Years**
- (21) Appl. No.: **29/518,482**
- (22) Filed: **Feb. 24, 2015**
- (51) **LOC (10) Cl.** **22-01**
- (52) **U.S. Cl.**
USPC **D22/108**
- (58) **Field of Classification Search**
USPC D22/103, 108; D21/571-575
CPC F41C 23/04; F41C 23/14; F41C 23/06;
F41C 23/22; F41C 33/007
See application file for complete search history.

D731,023	S	*	6/2015	Hirt	D22/108
D736,336	S	*	8/2015	Mayberry	D22/108
D745,622	S	*	12/2015	Zusman	D22/108
D747,427	S	*	1/2016	Zusman	D22/108
2009/0255161	A1	*	10/2009	Fitzpatrick	F41C 27/00 42/90
2012/0174455	A1	*	7/2012	Edelman	F41C 23/22 42/71.01

* cited by examiner

Primary Examiner — Michael A Pratt
(74) *Attorney, Agent, or Firm* — Bennet K. Langlotz;
Langlotz Patent & Trademark Works, Inc.

(57) **CLAIM**

The ornamental design for an adjustable rifle stock, as shown and described.

DESCRIPTION

FIG. 1 is an upper left perspective view taken from the front of an adjustable rifle stock showing my new design;
FIG. 2 is a lower right perspective view taken from the front thereof;
FIG. 3 is a top view thereof;
FIG. 4 is a right side elevation view thereof;
FIG. 5 is a left side elevation view thereof;
FIG. 6 is a bottom view thereof;
FIG. 7 is a front end elevation view thereof; and,
FIG. 8 is a rear end elevation view thereof.
The broken line showing of portions of the adjustable rifle stock forms no part of the claimed design.

1 Claim, 5 Drawing Sheets

(56) **References Cited**

U.S. PATENT DOCUMENTS

7,810,270	B2	*	10/2010	Fitzpatrick	F41A 21/481 42/71.01
D631,122	S	*	1/2011	Domagtoy	D22/108
D716,403	S	*	10/2014	Burt	D22/108

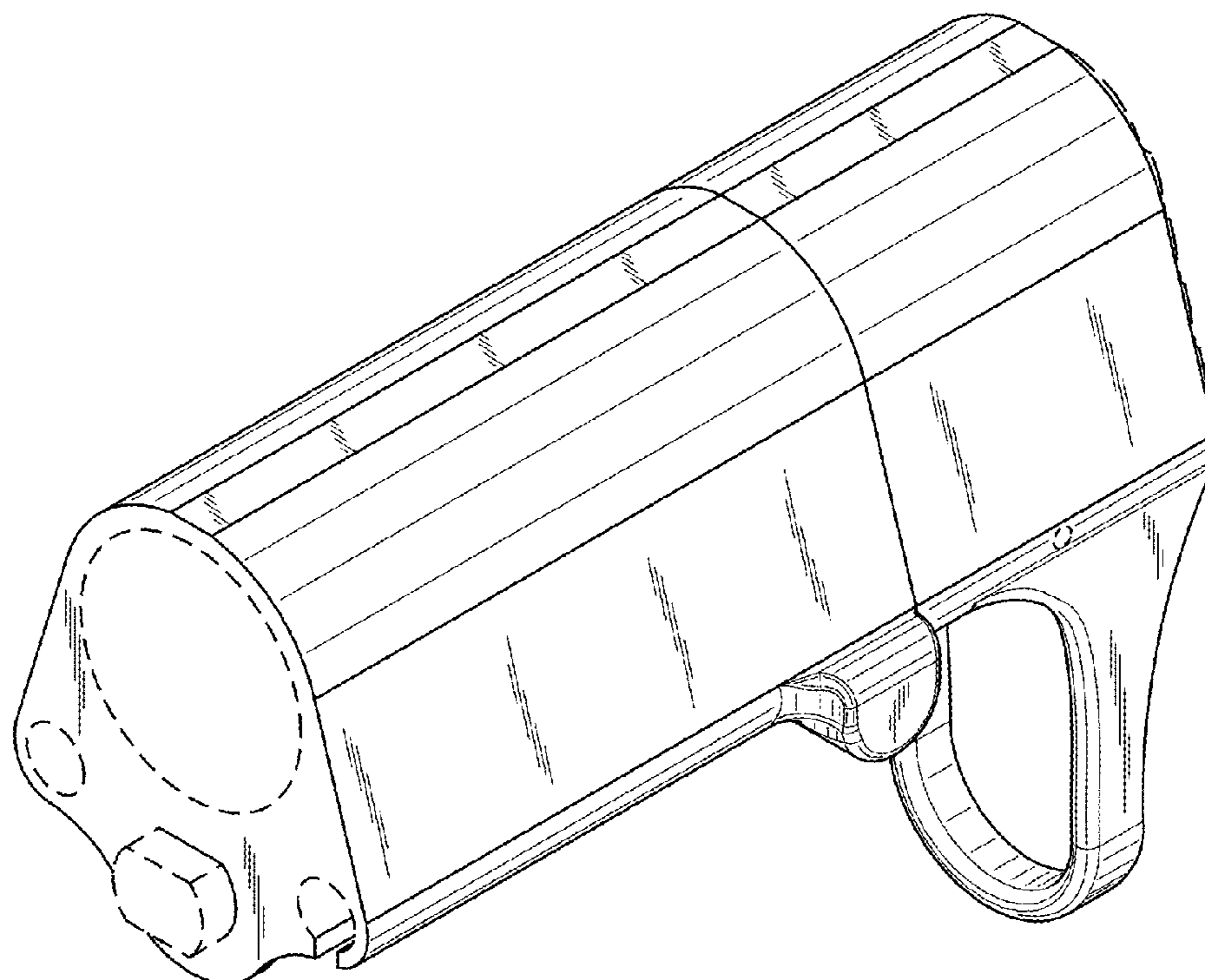


FIG. 1

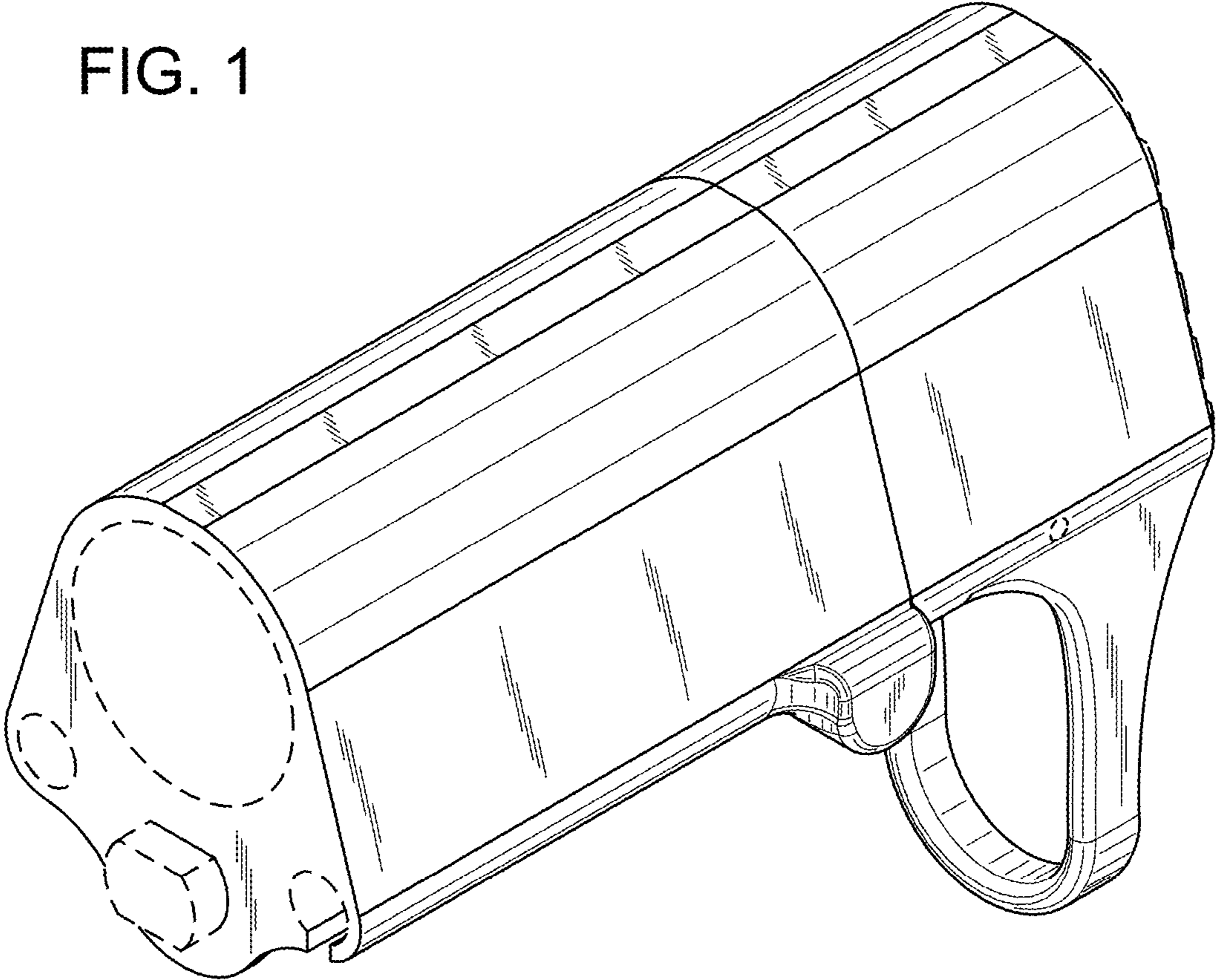
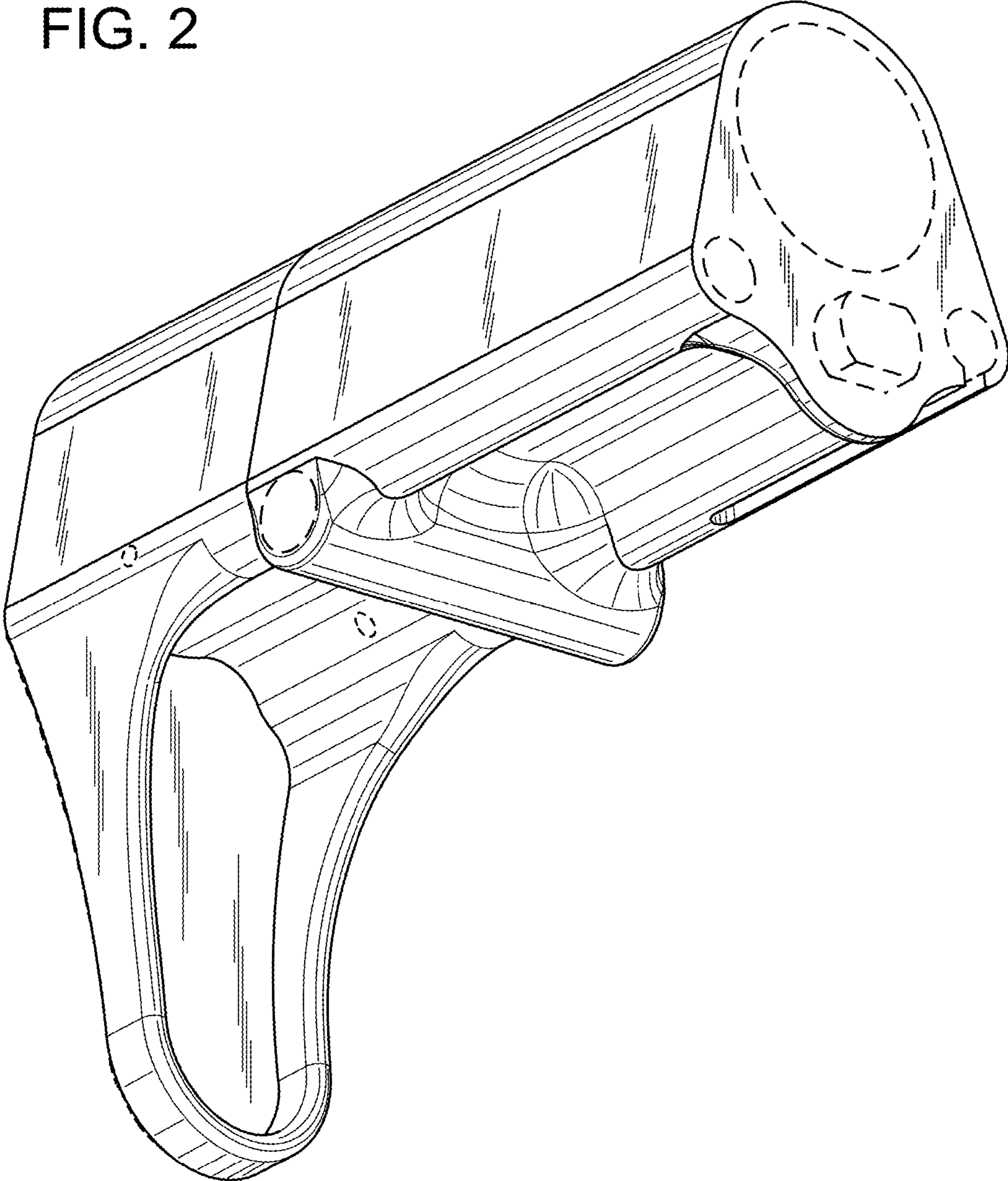


FIG. 2



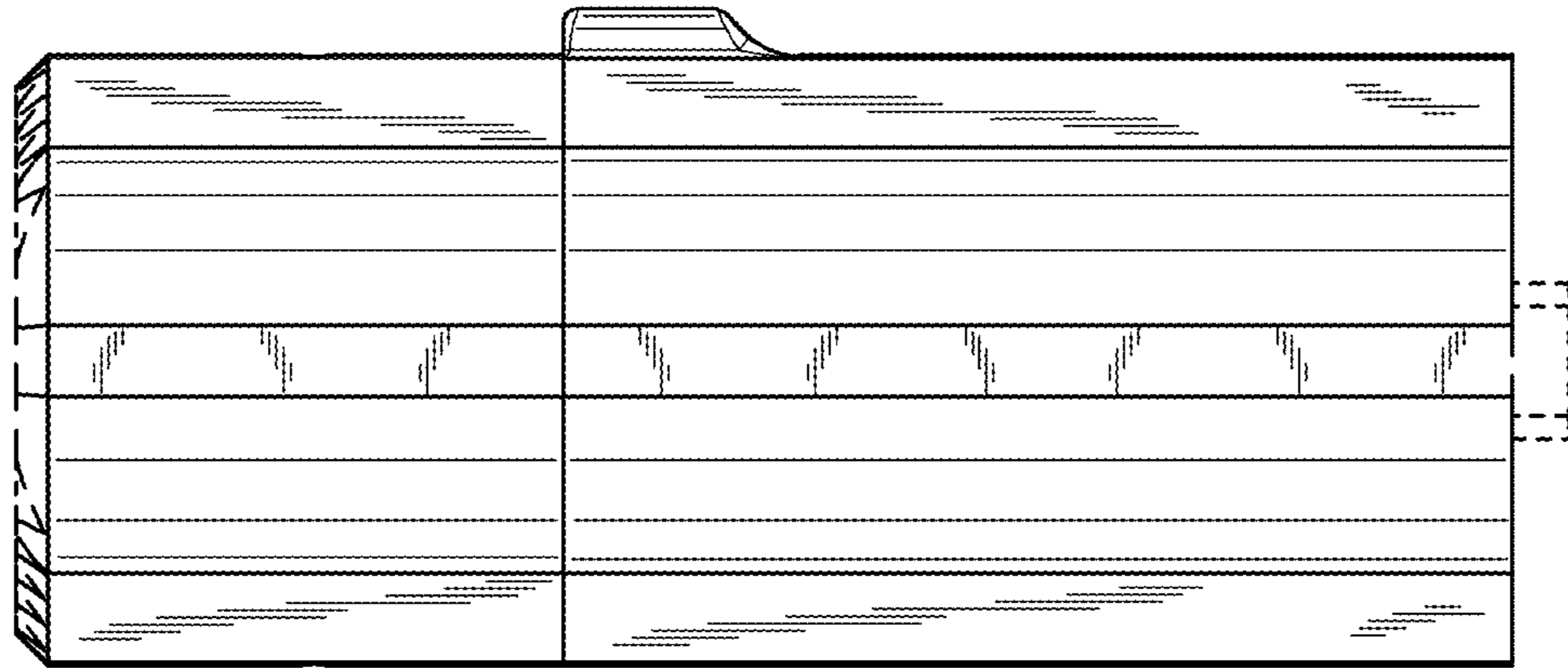


FIG. 3

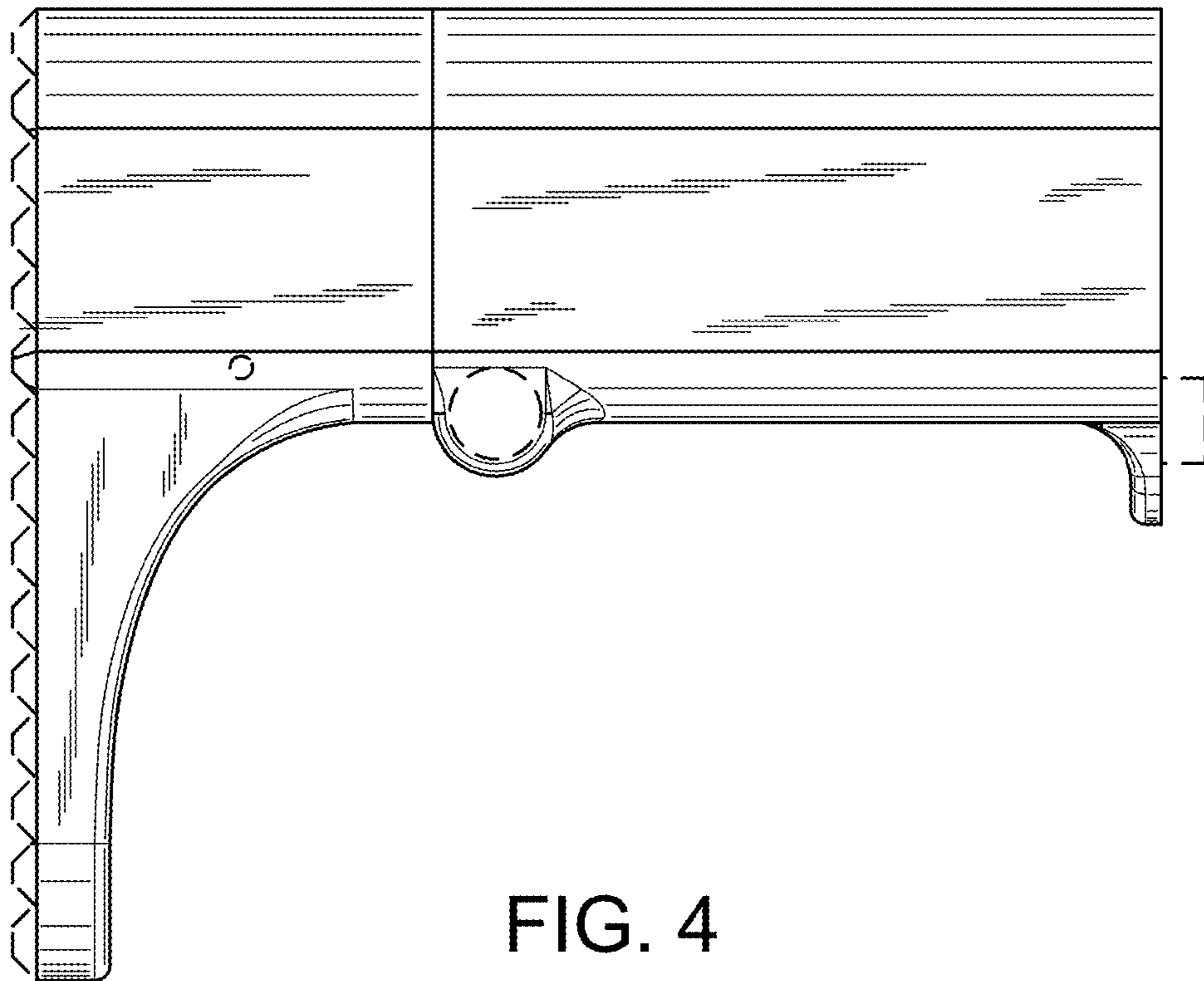
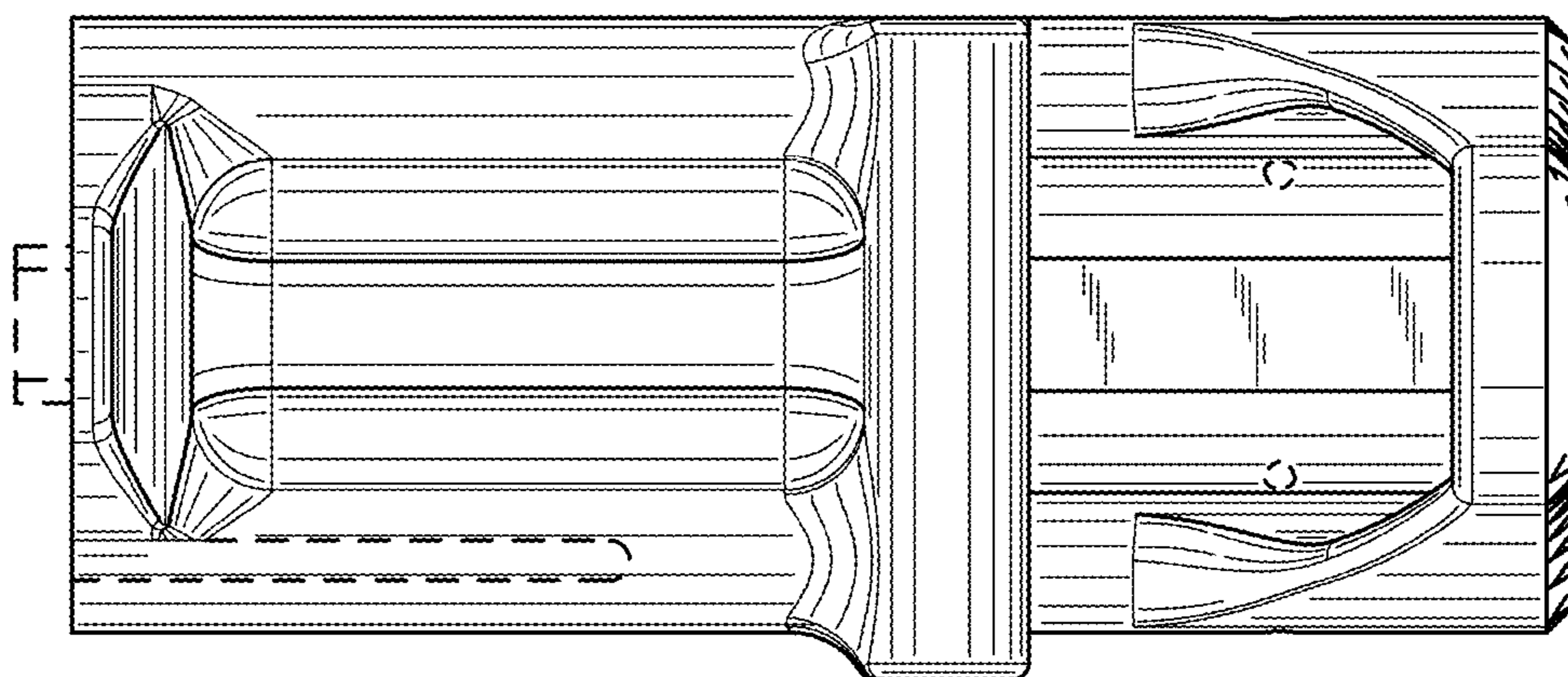
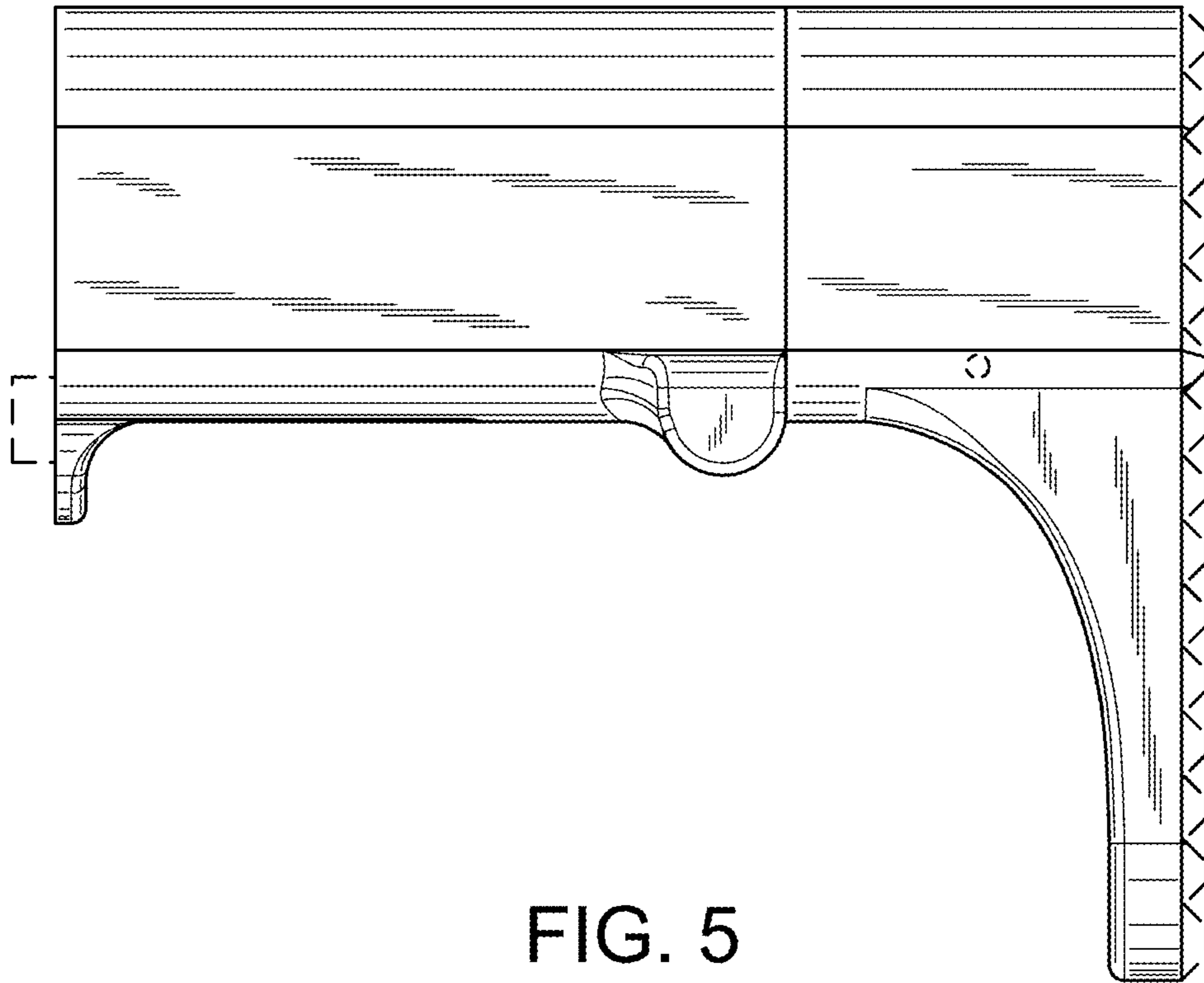


FIG. 4



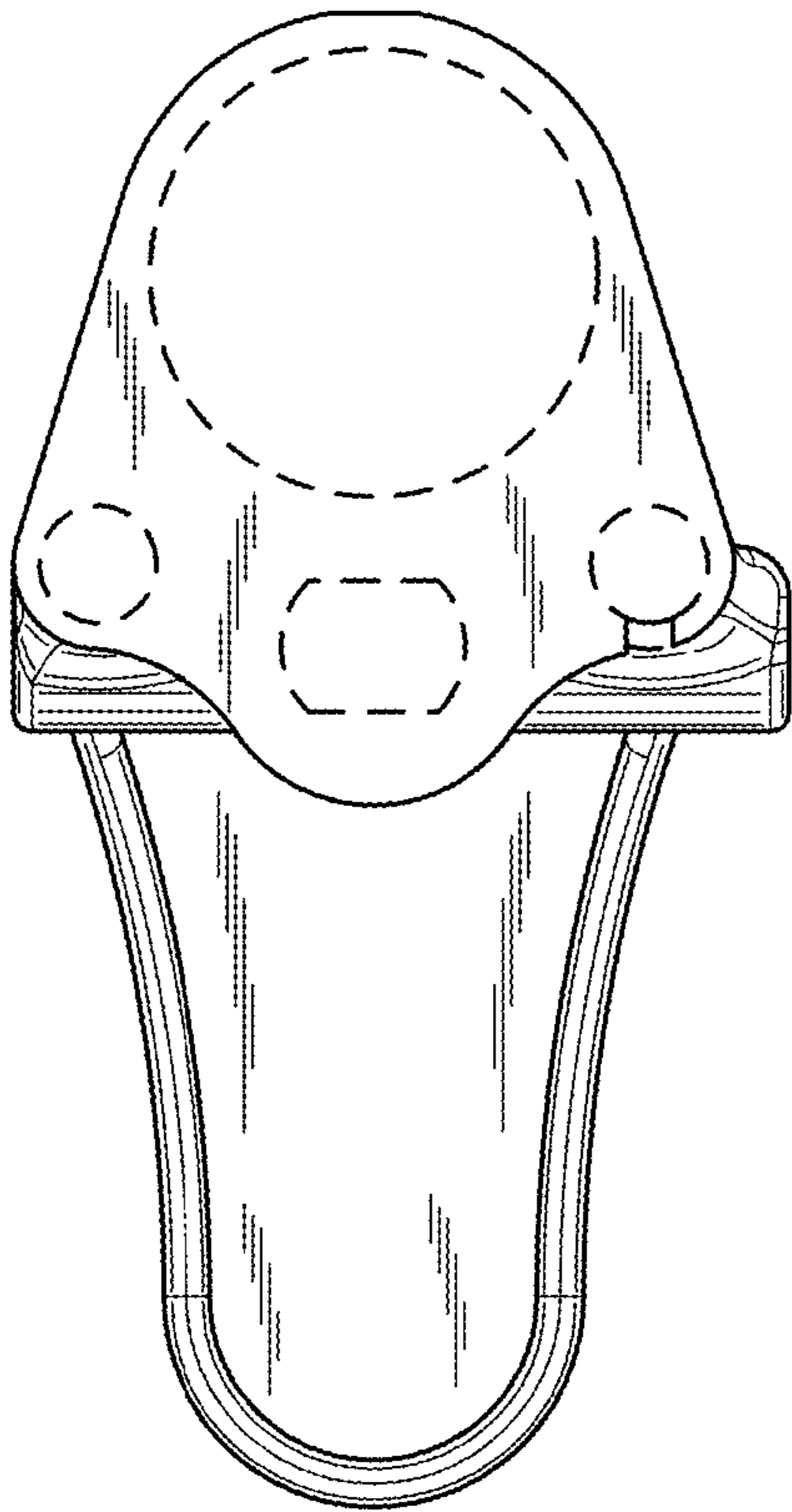


FIG. 7

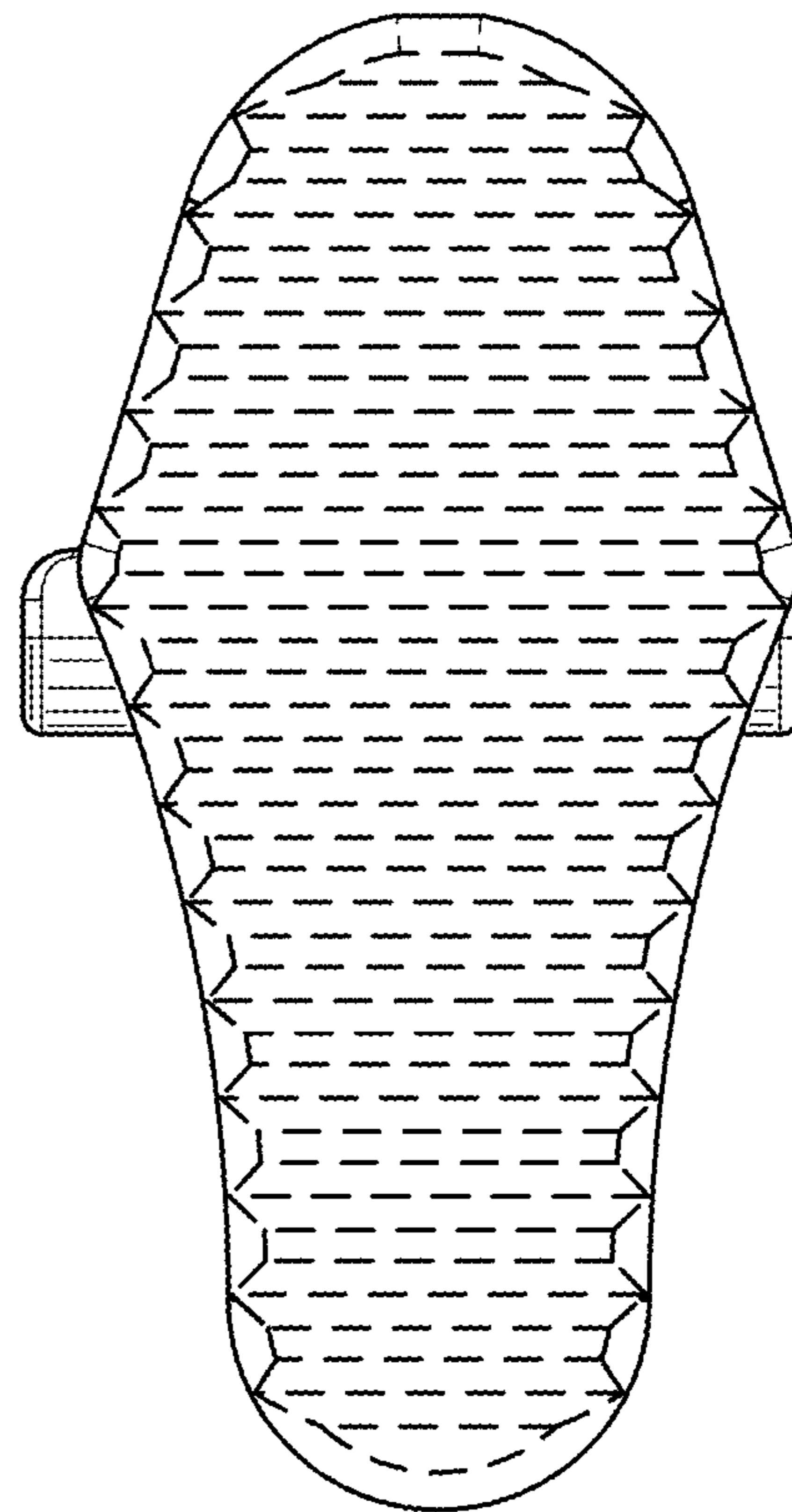


FIG. 8