

US00D769395S

(12) **United States Design Patent** (10) **Patent No.:** **US D769,395 S**
Dulisse et al. (45) **Date of Patent:** **** Oct. 18, 2016**

(54) **FIREARM SUPPRESSOR COVER**
(71) Applicant: **Jamak Fabrication-Tex LLC**,
Weatherford, TX (US)
(72) Inventors: **Michael Lee Dulisse**, Graford, TX
(US); **Steven Dean Henrickson**,
Roanoke, TX (US)
(73) Assignee: **Jamak Fabrication-Tex, LLC**,
Weatherford, TX (US)

D579,595 S * 10/2008 Shiu D26/49
D593,631 S * 6/2009 Salva D22/108
D632,751 S 2/2011 Bowers et al.
8,347,773 B2 1/2013 Schlenkert et al.
8,397,615 B2 3/2013 Poling
D682,974 S * 5/2013 Honigmann D22/108
D682,975 S * 5/2013 Honigmann D22/108
8,973,481 B2 * 3/2015 Dueck F41A 21/325
181/223
9,140,511 B2 9/2015 Michal et al.
2007/0062090 A1 3/2007 Brindle
2012/0125184 A1 * 5/2012 Meyers F41A 21/34
89/14.2

(**) Term: **14 Years**

(Continued)

(21) Appl. No.: **29/515,989**
(22) Filed: **Jan. 28, 2015**
(51) **LOC (10) Cl.** **22-01**
(52) **U.S. Cl.**
USPC **D22/108**
(58) **Field of Classification Search**
USPC D22/108
CPC F41A 21/30; F41A 21/325
See application file for complete search history.

OTHER PUBLICATIONS

www.thefirearmblog.com/blog/2013/12/26/manta-m700-sound-suppressor-covers/.

(Continued)

Primary Examiner — Michael A Pratt
(74) *Attorney, Agent, or Firm* — McGuireWoods, LLP

(57) **CLAIM**
We claim the ornamental design for a firearm suppressor cover, as shown and described.

(56) **References Cited**

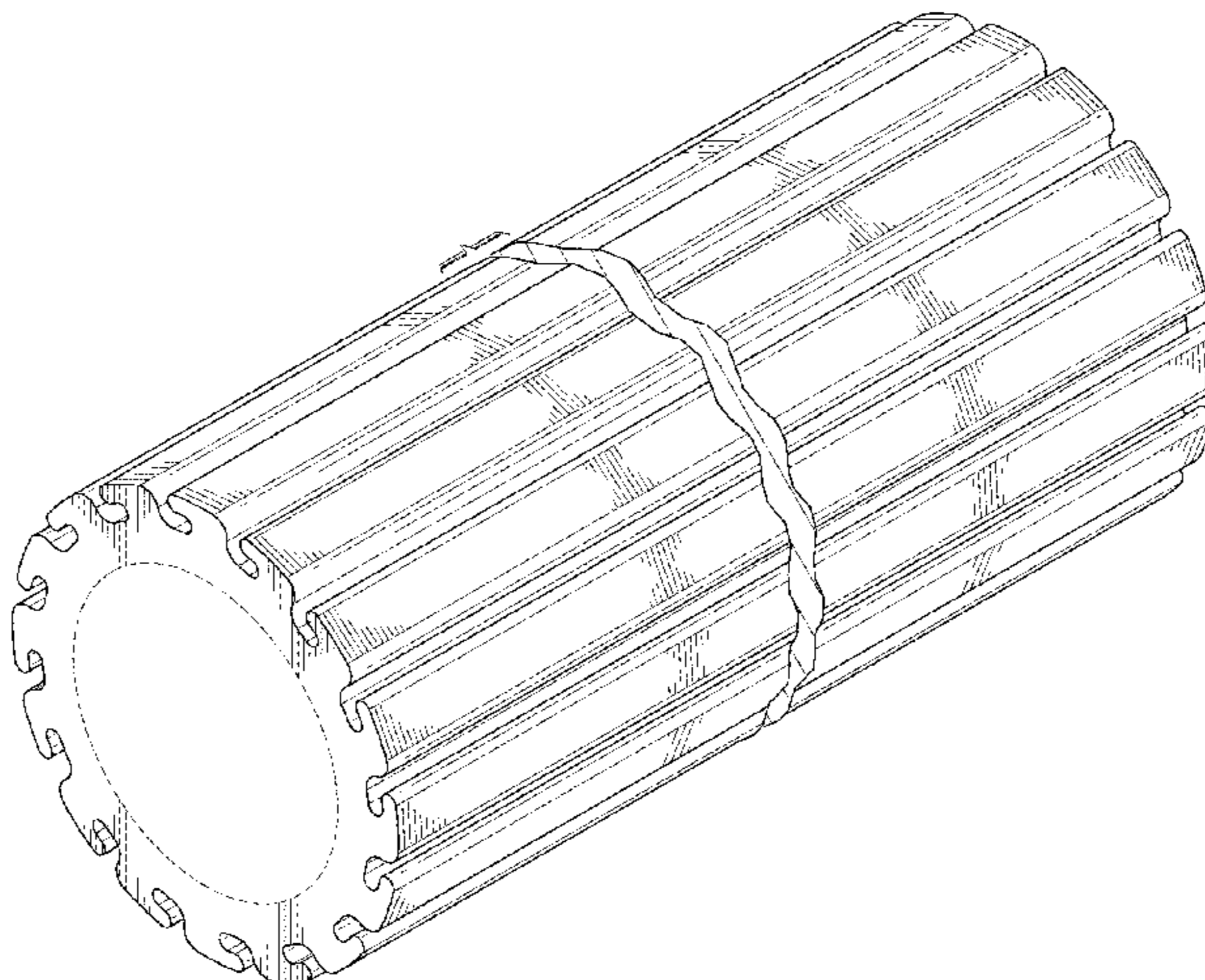
DESCRIPTION

U.S. PATENT DOCUMENTS

2,965,994 A	12/1960	Sullivan	
4,346,643 A	8/1982	Taylor et al.	
D279,812 S *	7/1985	Cellini	89/14.3
4,762,048 A	8/1988	Higashi et al.	
5,183,953 A	2/1993	Anderson et al.	
D344,351 S	2/1994	Stagl	
D370,273 S	5/1996	Stagl	
5,661,920 A	9/1997	Evans	
5,778,590 A	7/1998	Browning et al.	
5,850,706 A	12/1998	Evans	
D427,669 S	7/2000	Ruuska	
D475,798 S *	6/2003	Galli	D26/37
D476,103 S *	6/2003	Galli	D26/37
D501,054 S *	1/2005	Galli	D26/37
D549,860 S *	8/2007	Gustafson	D26/37
D577,449 S *	9/2008	Shiu	D26/49
D577,844 S *	9/2008	Shiu	D26/49

FIG. 1 is a perspective view of a firearm suppressor cover according to an illustrative embodiment;
FIG. 2 is a front view of the firearm suppressor cover of FIG. 1;
FIG. 3 is a right side view of the firearm suppressor cover of FIG. 1;
FIG. 4 is a left side view of the firearm suppressor cover of FIG. 1; and,
FIG. 5 is a perspective view showing a firearm suppressor mounted within the firearm suppressor cover of FIG. 1.
The subject matter illustrated in dashed lines, and any surfaces of the design not shown, form no part of the claimed design.

1 Claim, 5 Drawing Sheets



(56)

References Cited

OTHER PUBLICATIONS

U.S. PATENT DOCUMENTS

2012/0273083 A1 11/2012 Lin
2013/0061503 A1 3/2013 W. et al.
2014/0059913 A1 3/2014 Diamond et al.

www.thefirearmblog.com/blog/2014/04/14/gear-review-bowers-group-griptastic-suppressor-covers/.

* cited by examiner

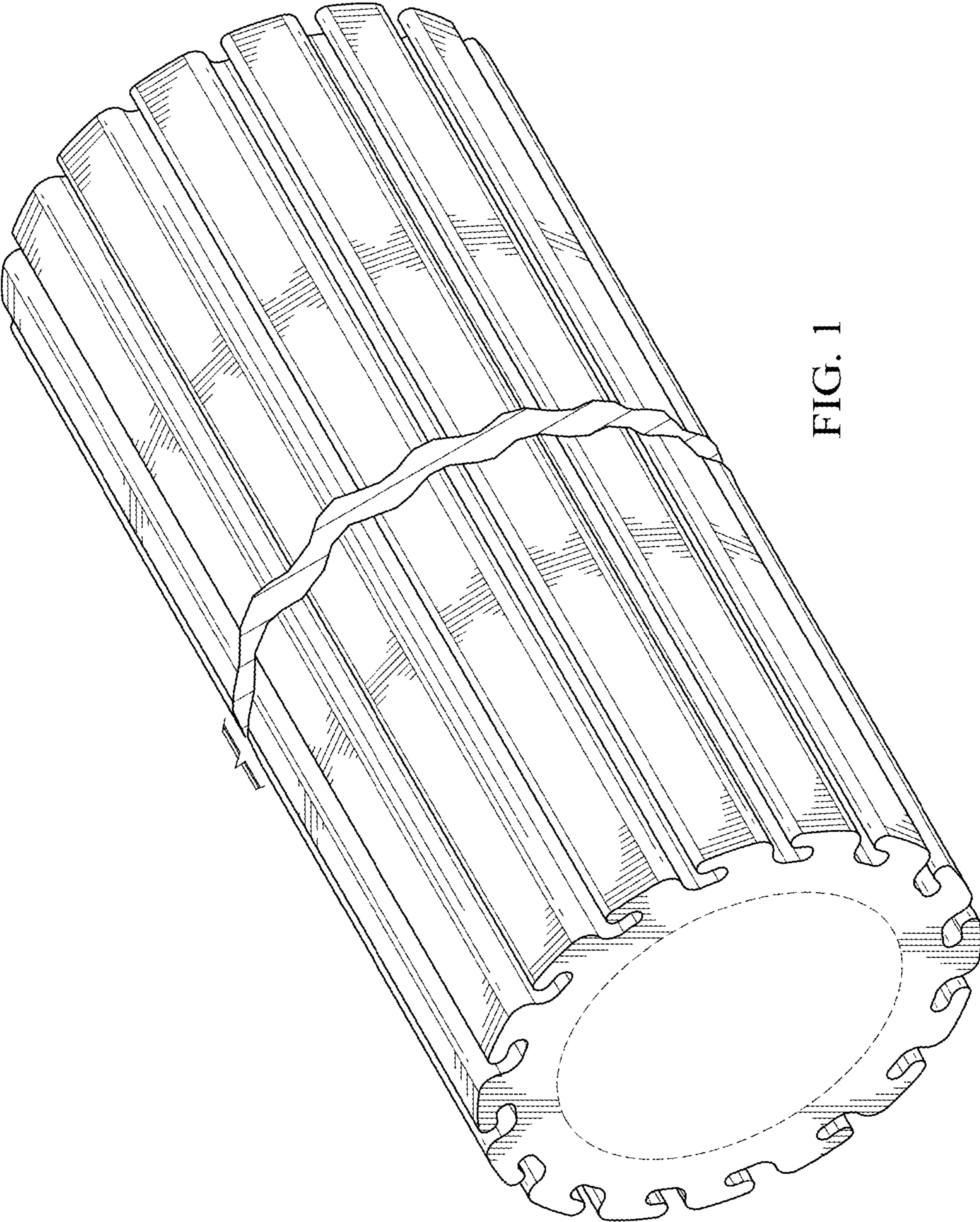


FIG. 1

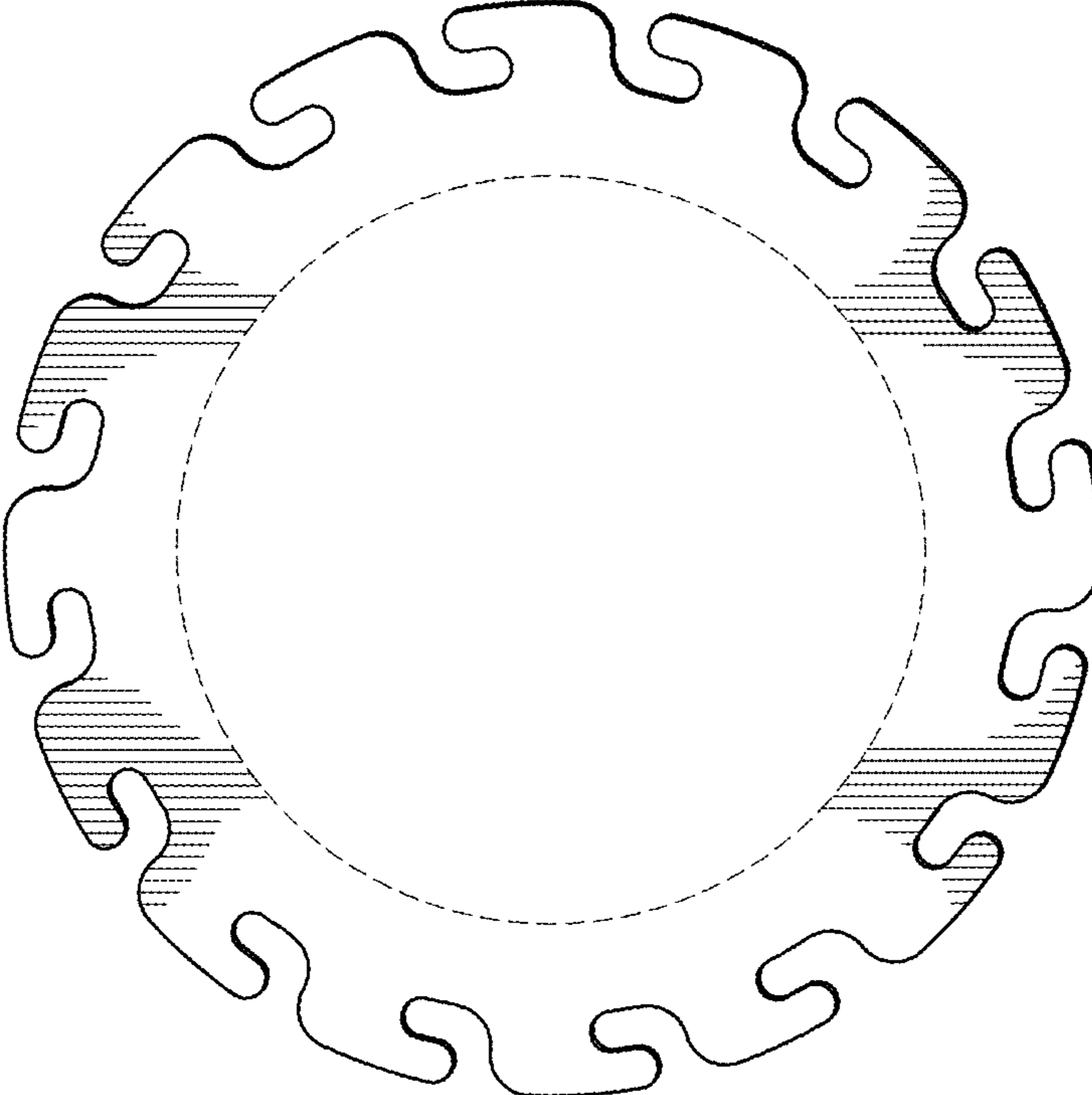


FIG. 2

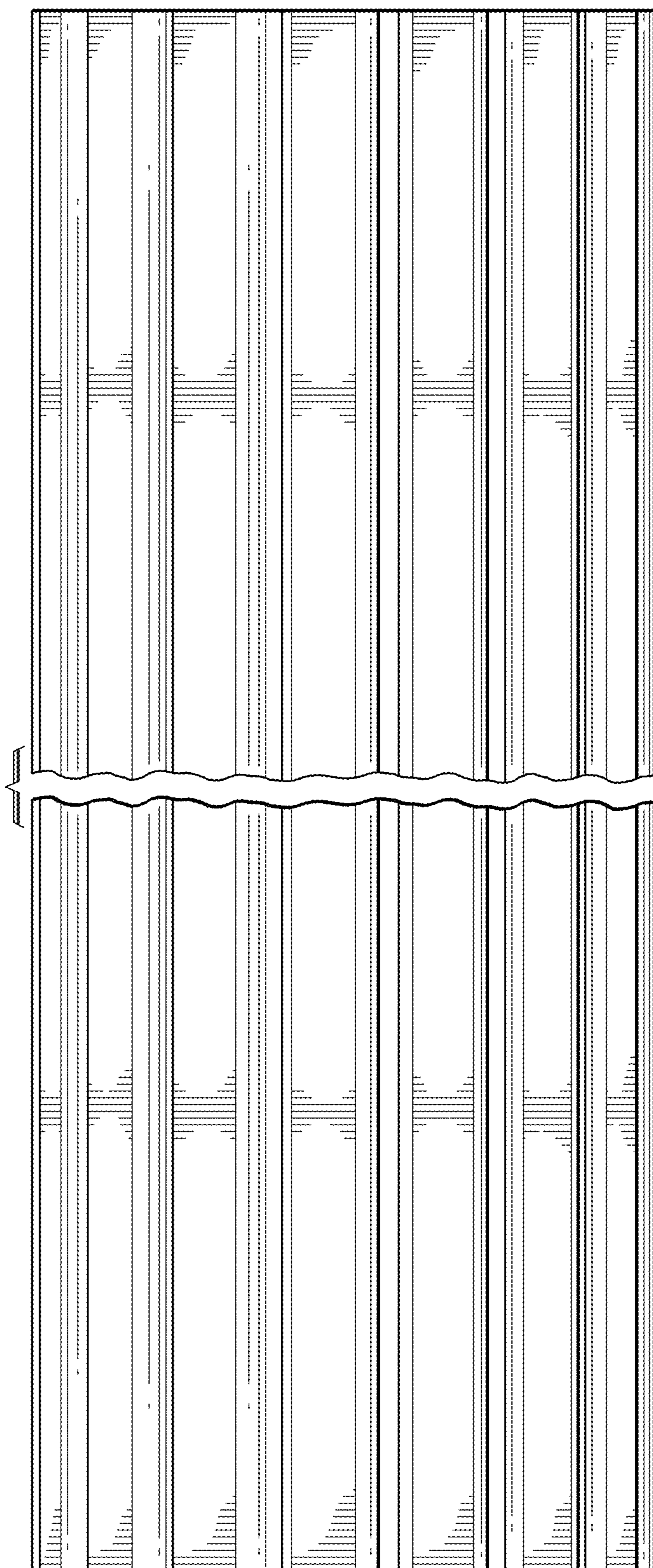


FIG. 3

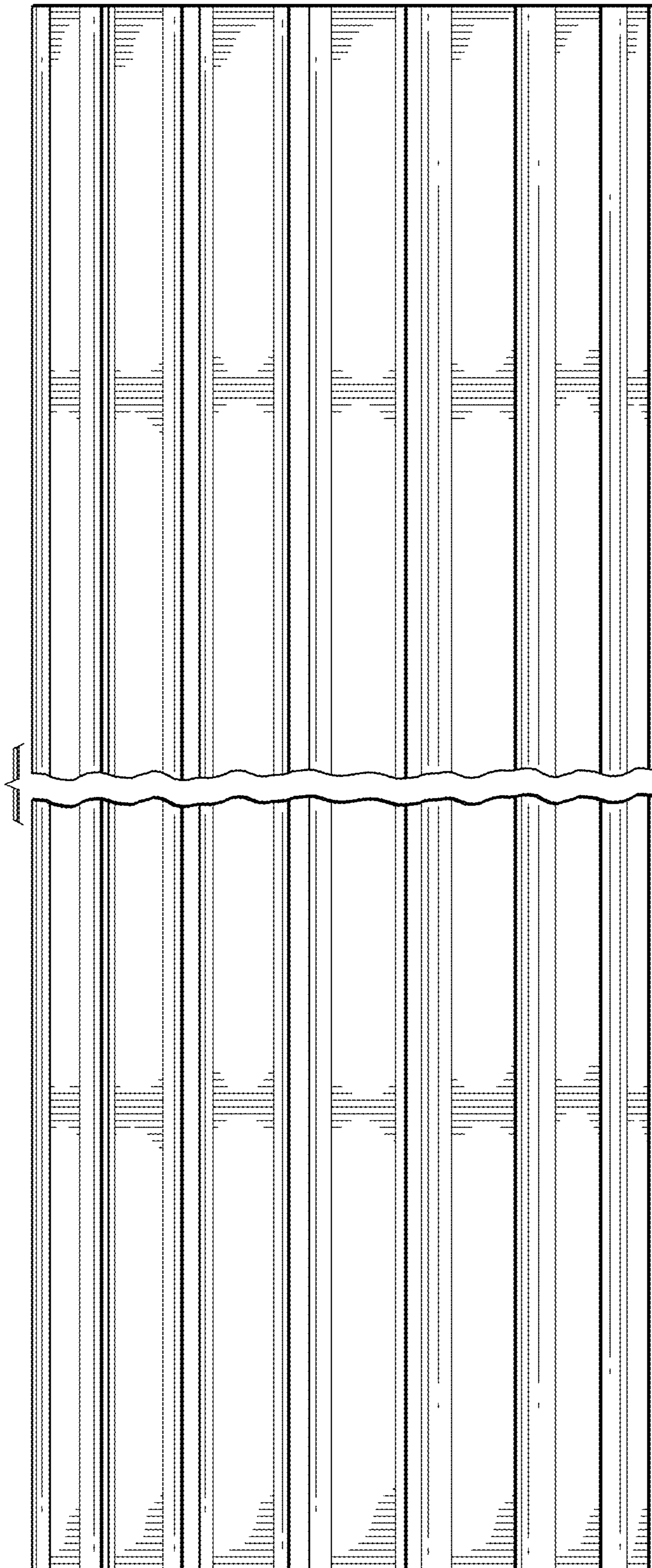


FIG. 4

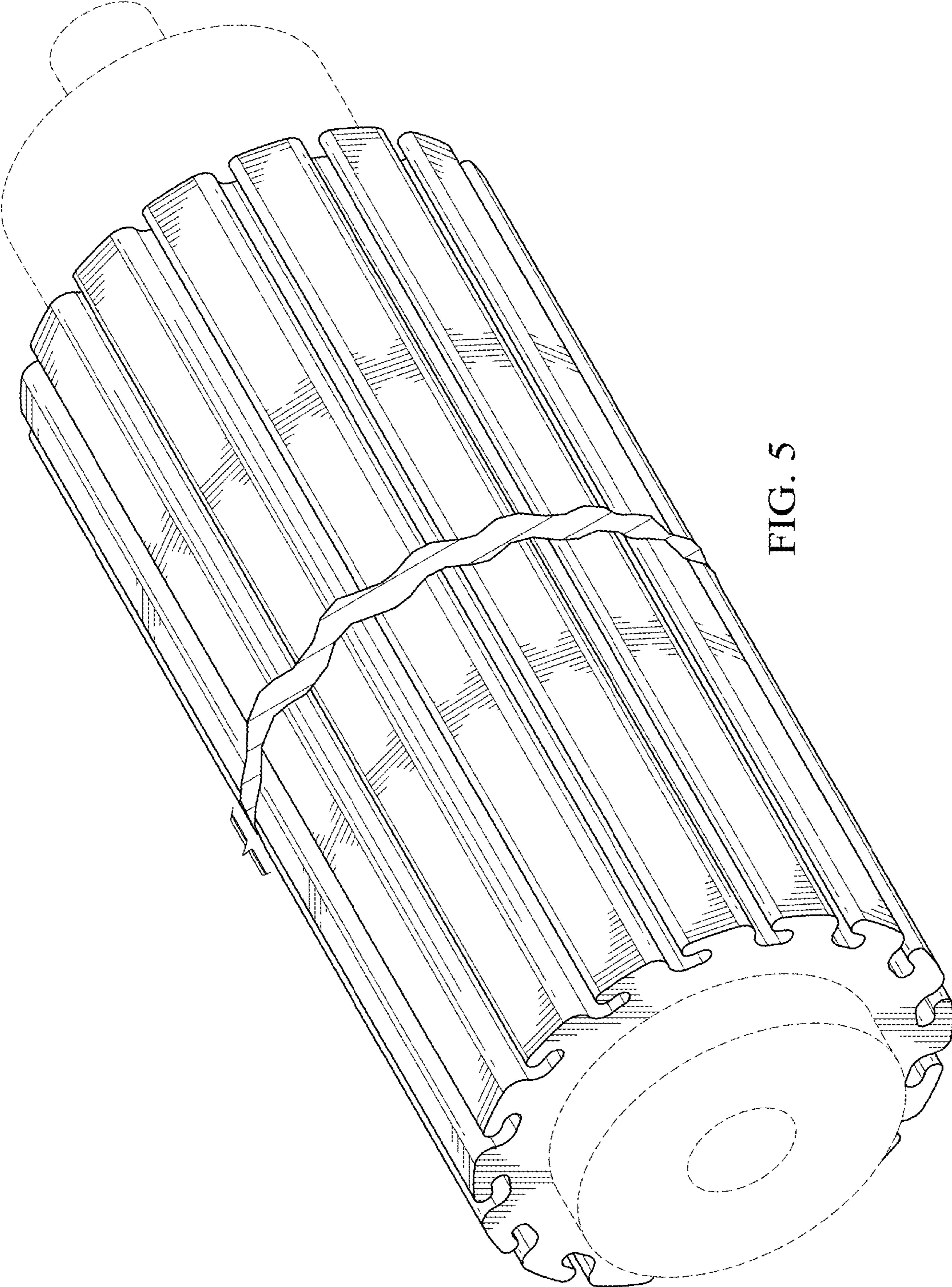


FIG. 5