



US00D769393S

(12) **United States Design Patent**
Chen

(10) **Patent No.:** **US D769,393 S**

(45) **Date of Patent:** **** Oct. 18, 2016**

(54) **ASYMMETRIC SWING**

(71) Applicant: **Samuel Chen**, Shanghai (CN)

(72) Inventor: **Samuel Chen**, Shanghai (CN)

(**) Term: **15 Years**

(21) Appl. No.: **29/539,956**

(22) Filed: **Sep. 18, 2015**

(51) **LOC (10) Cl.** **21-03**

(52) **U.S. Cl.**
USPC **D21/823**

(58) **Field of Classification Search**
USPC D21/811, 814, 822-825, 828-833
CPC A63G 9/00-9/22
See application file for complete search history.

(56) **References Cited**

U.S. PATENT DOCUMENTS

- 3,011,825 A * 12/1961 Hannas A63G 9/00
297/245
- D289,541 S * 4/1987 Forester D21/829
- D315,775 S * 3/1991 Jones D21/823

- D428,638 S * 7/2000 Tucker D21/830
- D529,981 S * 10/2006 Tseng D21/823
- D724,167 S * 3/2015 Barker D21/823

* cited by examiner

Primary Examiner — Mitchell Siegel

(74) *Attorney, Agent, or Firm* — Clement Cheng

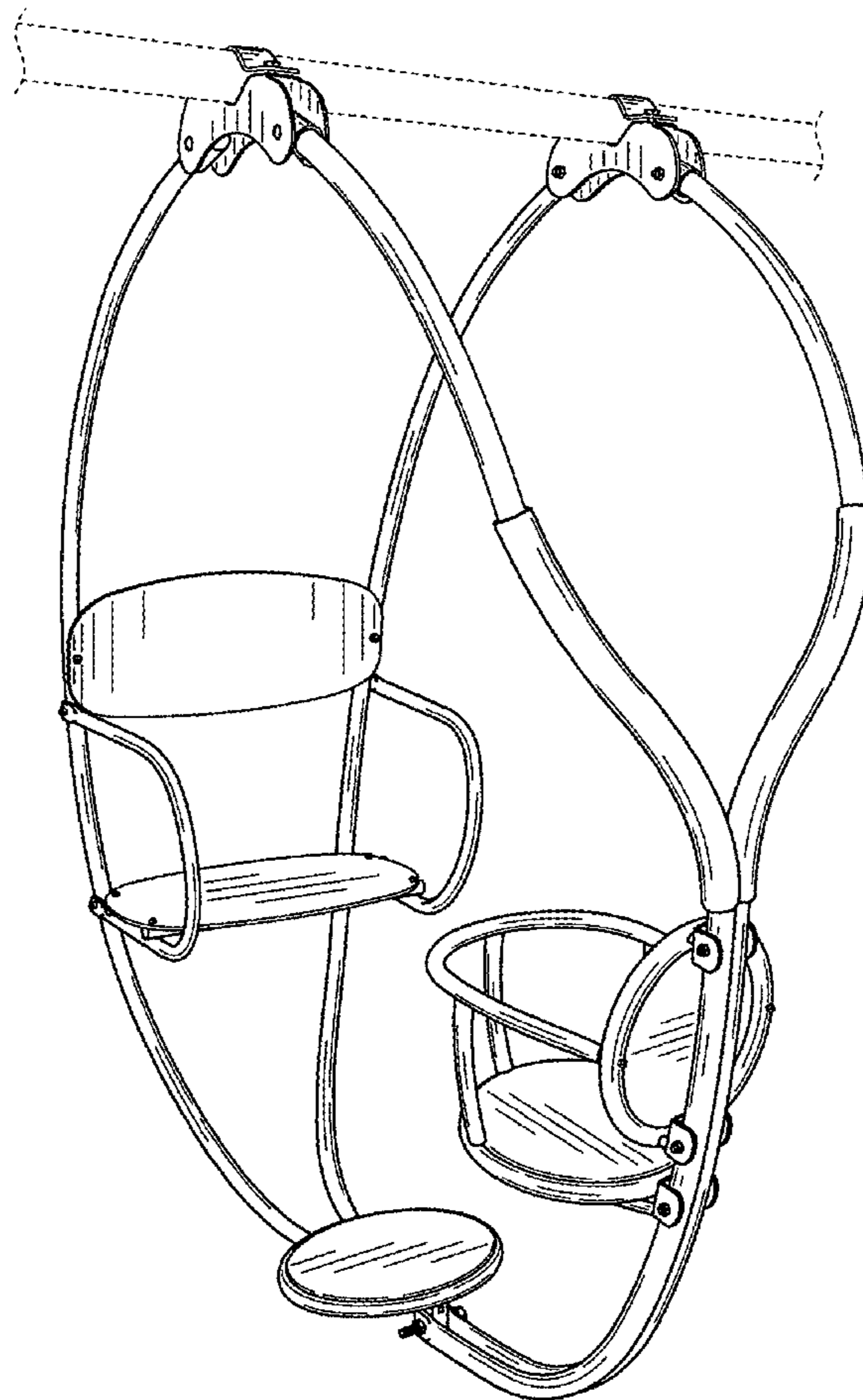
(57) **CLAIM**

The ornamental design for an asymmetric swing, as shown and described.

DESCRIPTION

FIG. 1 is a perspective view.
 FIG. 2 is a front view.
 FIG. 3 is a rear view.
 FIG. 4 is a left side view.
 FIG. 5 is a right side view.
 FIG. 6 is a top view.
 FIG. 7 is a bottom view; and,
 FIG. 8 is a perspective view.
 The dotted line in the drawing forms no part of the claimed invention.

1 Claim, 8 Drawing Sheets



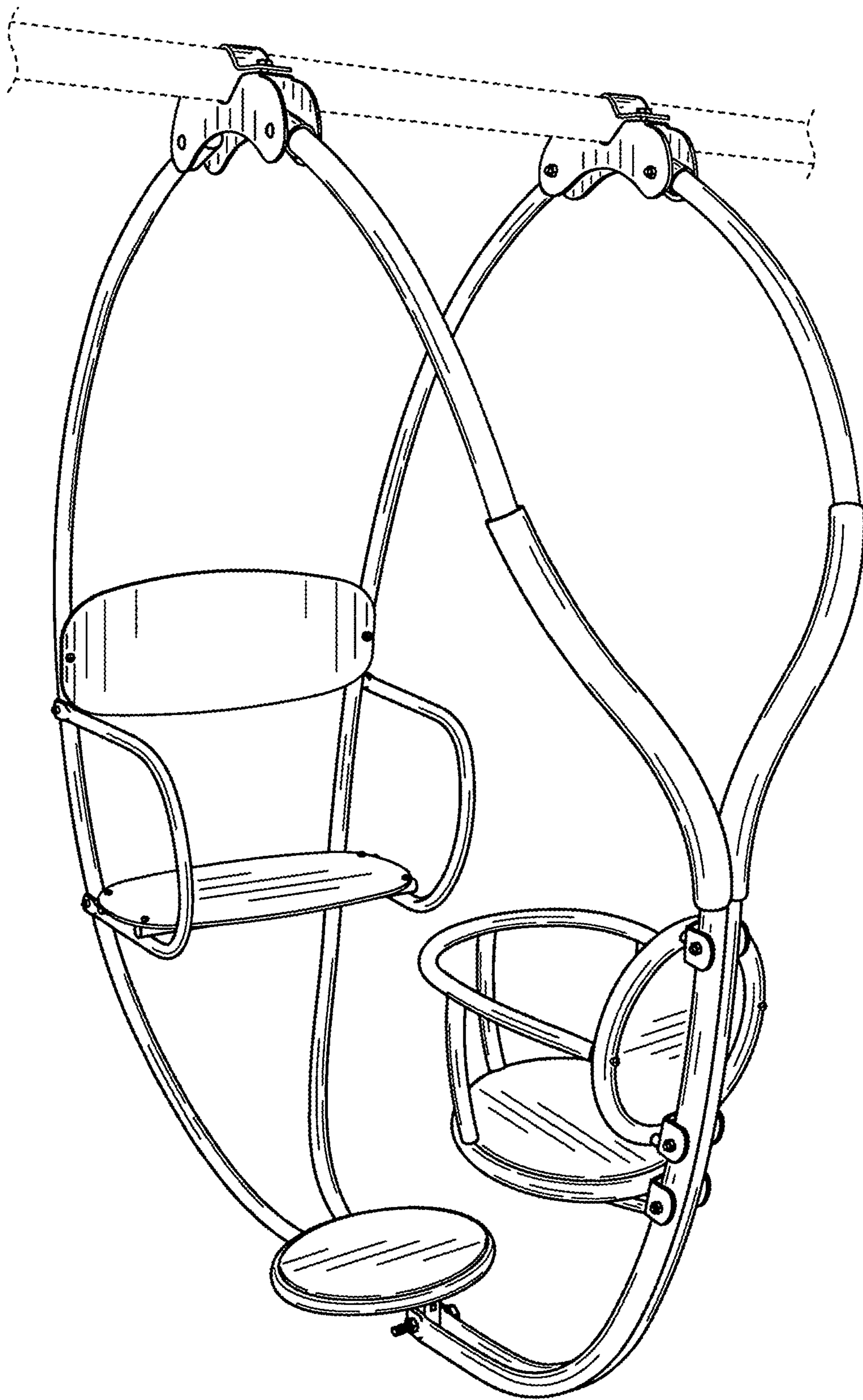


FIG. 1

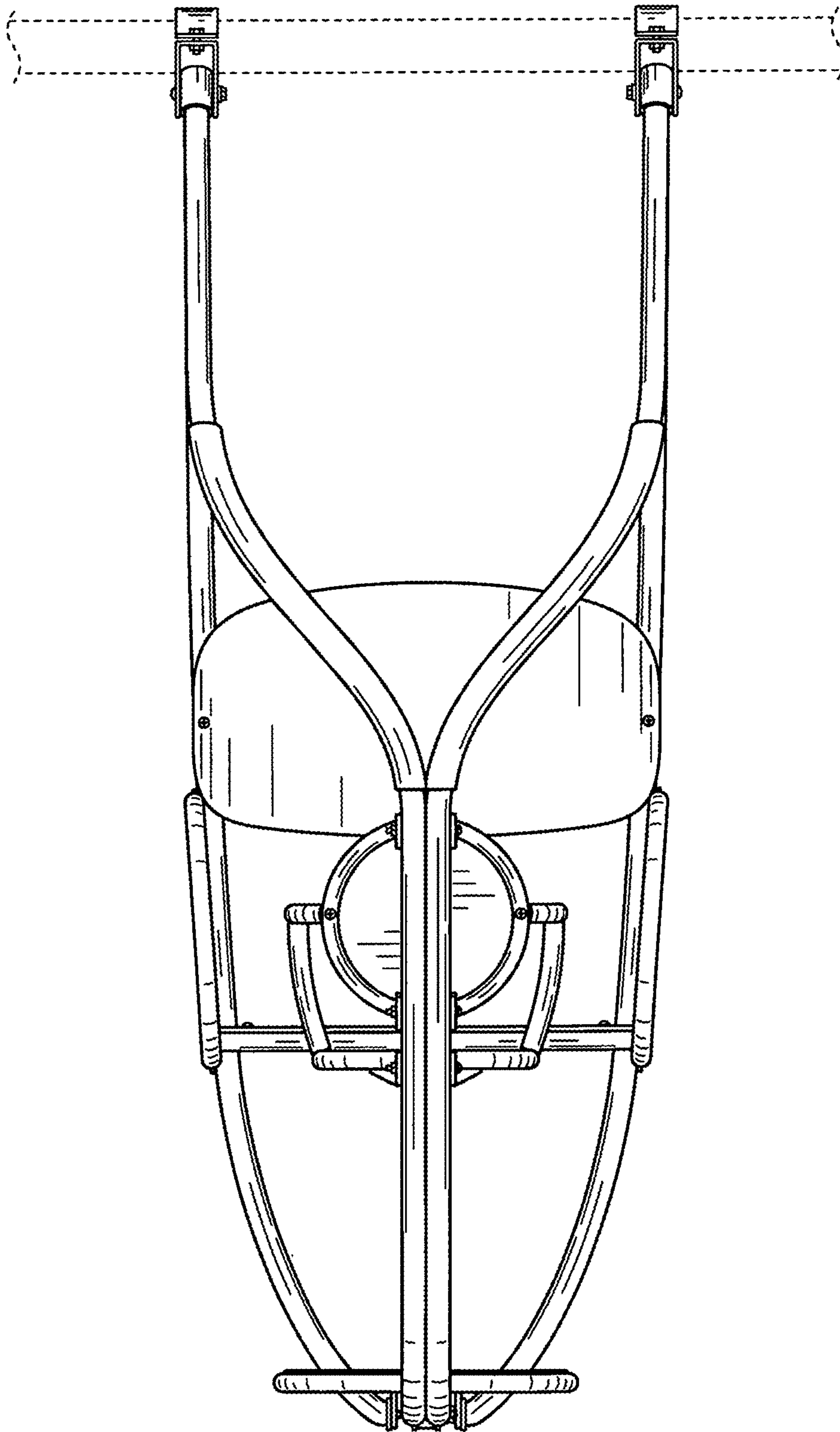


FIG. 2

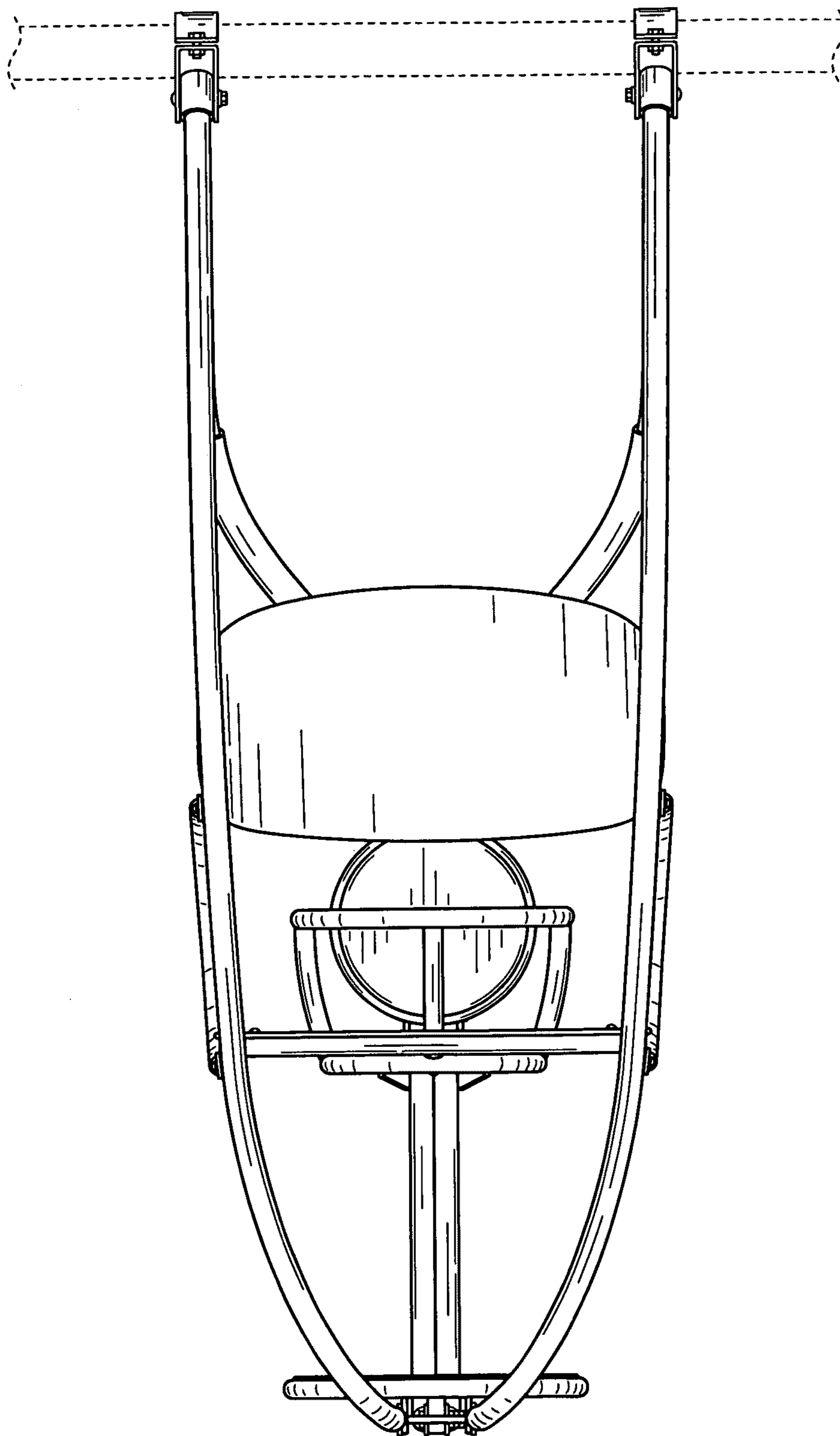


FIG. 3

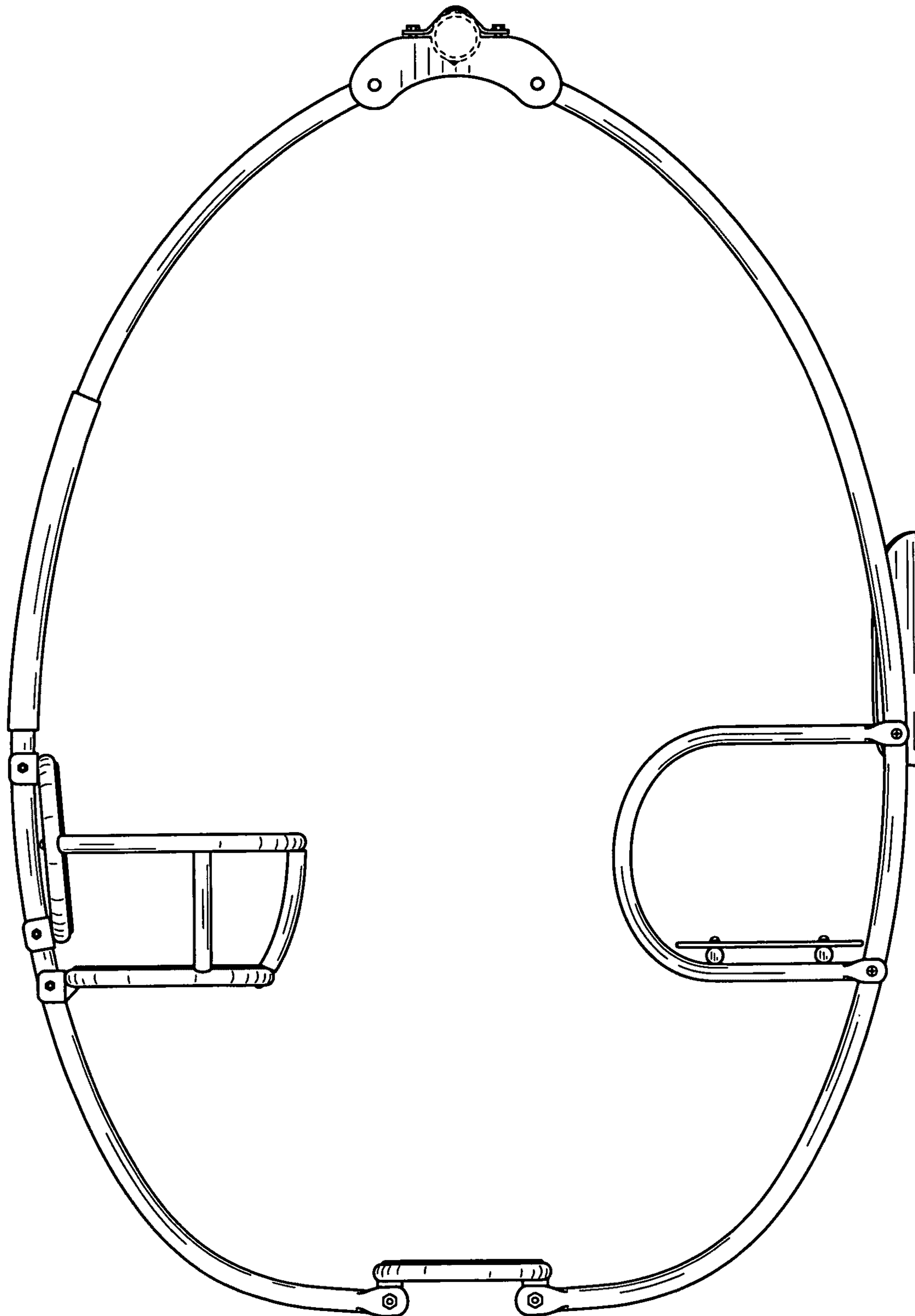


FIG. 4

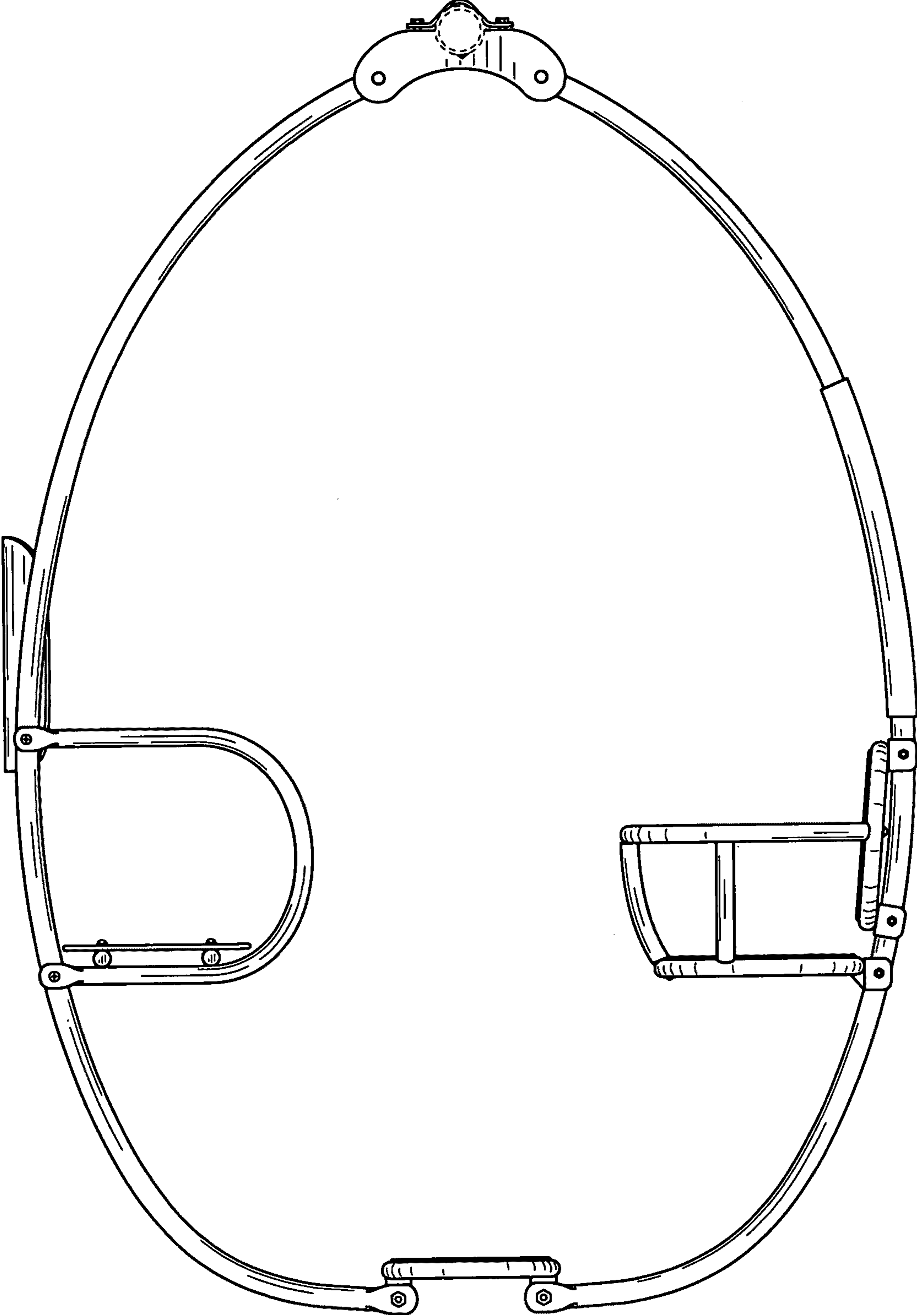


FIG. 5

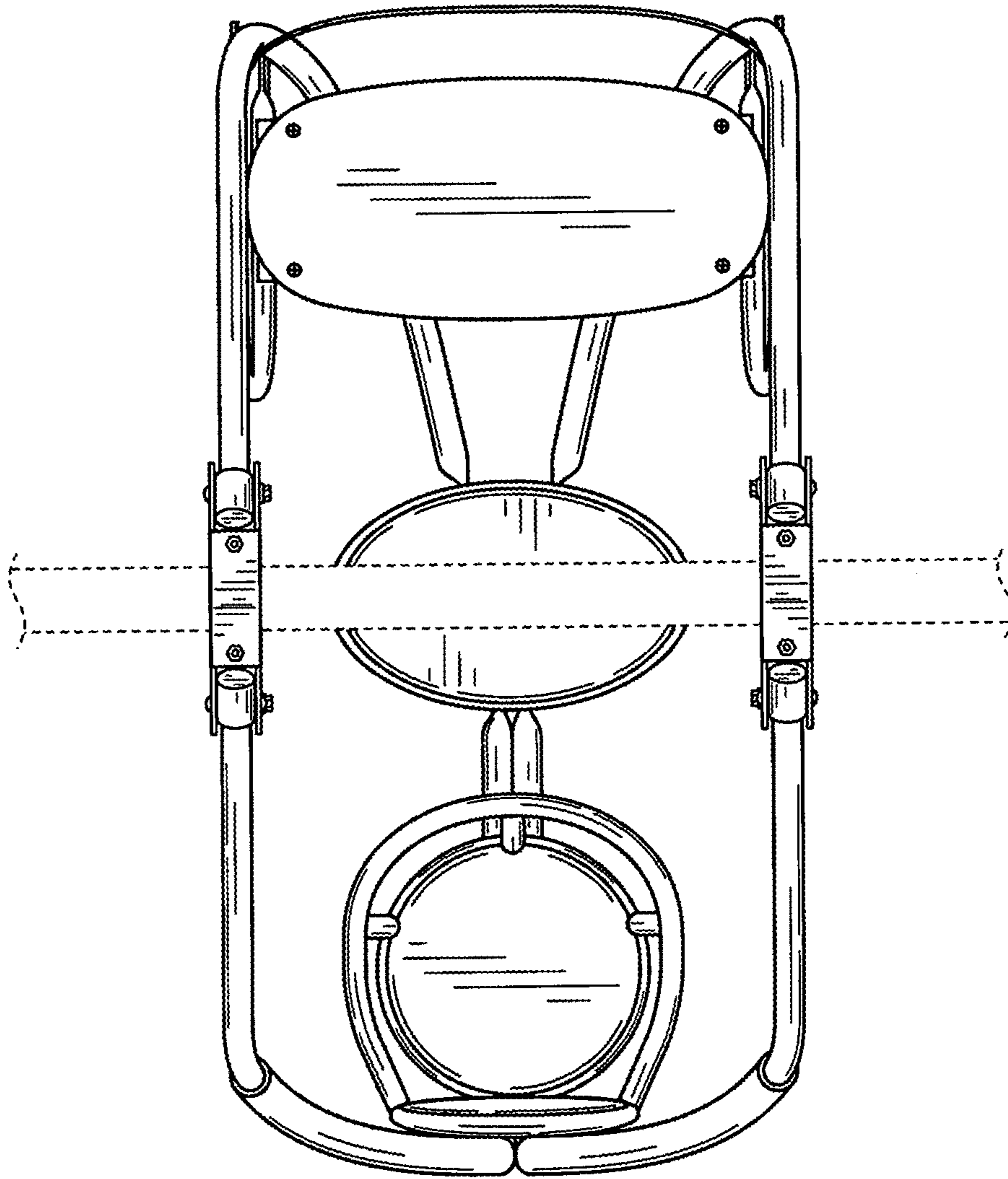


FIG. 6

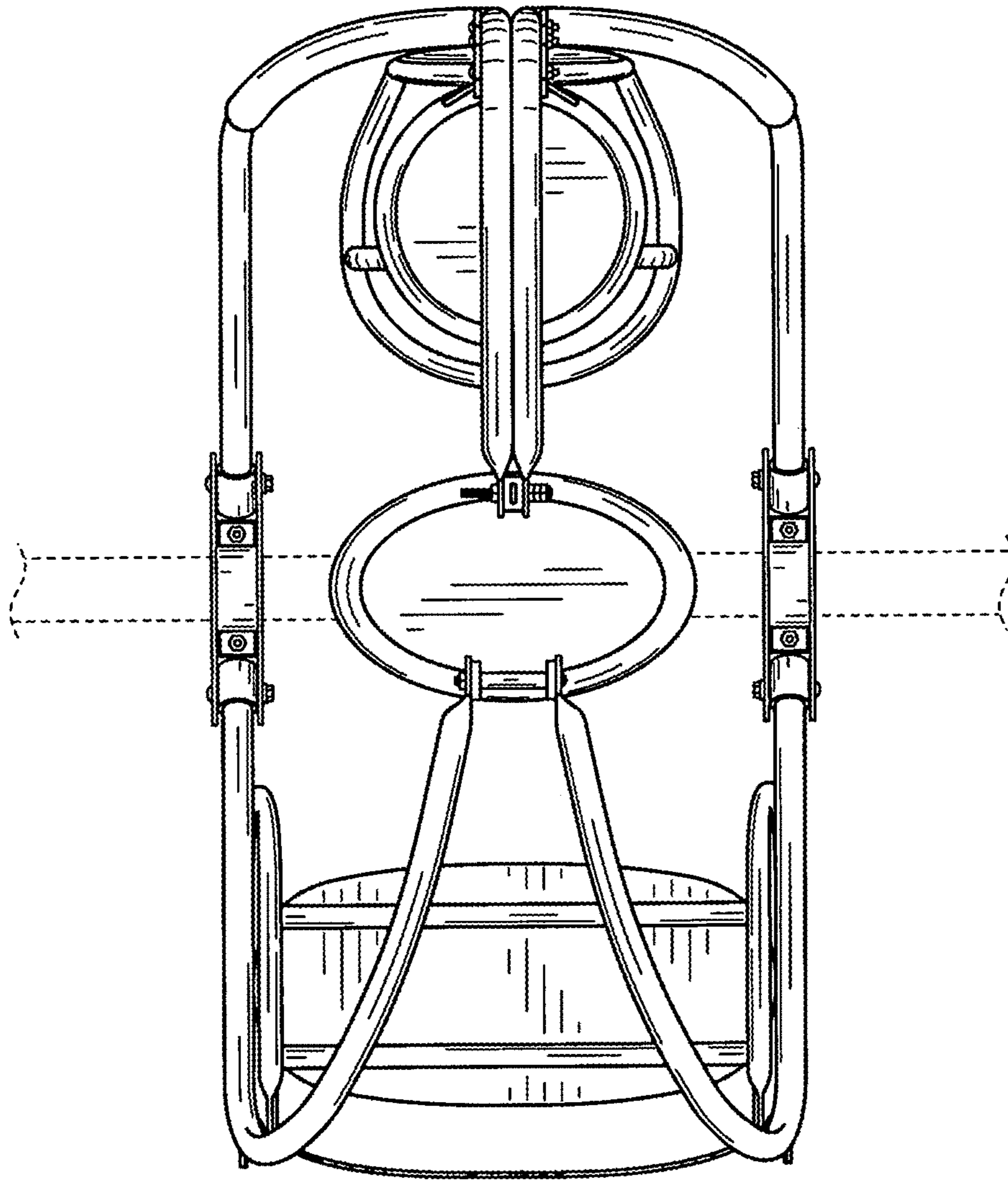


FIG. 7

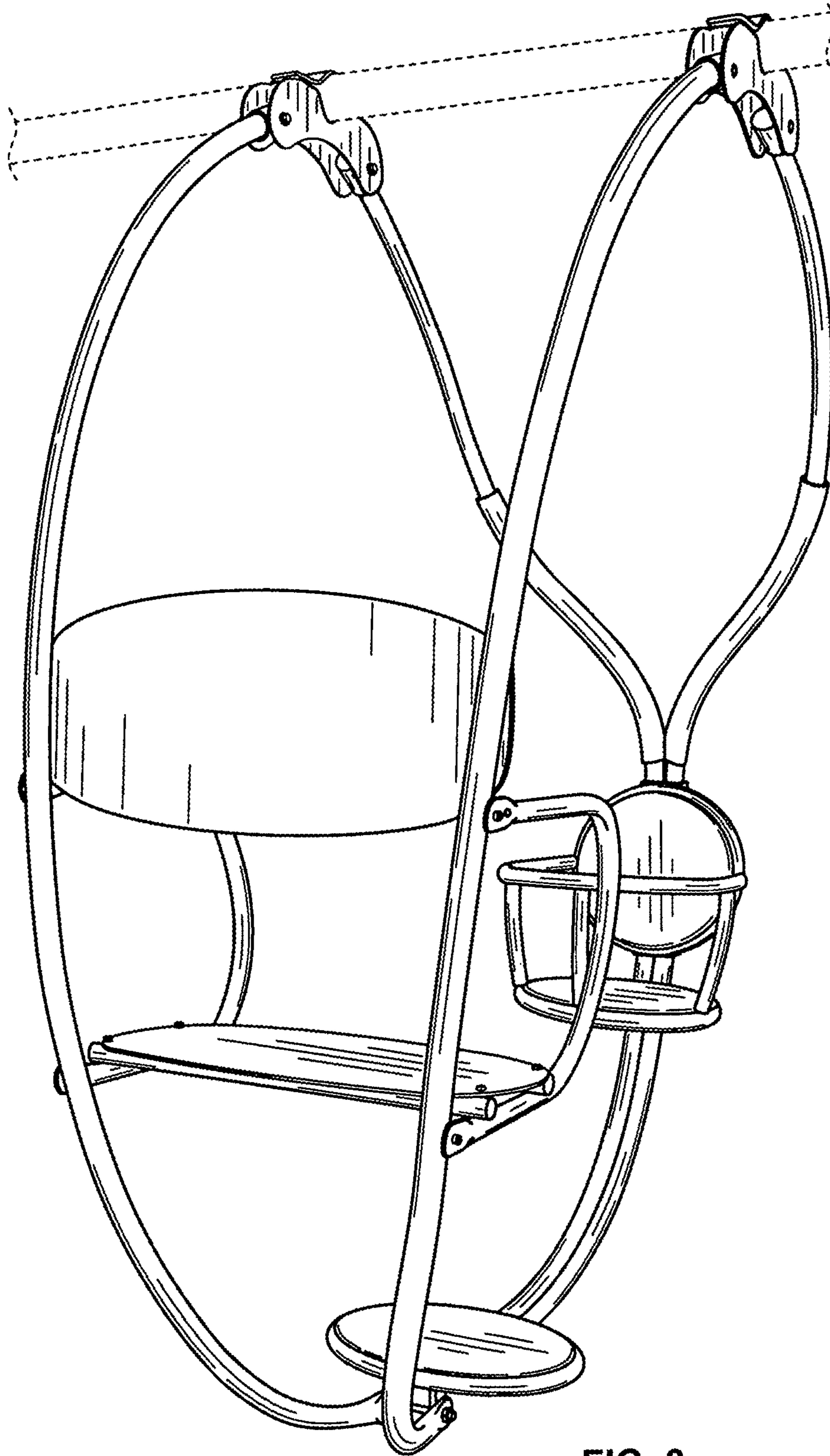


FIG. 8