



US00D769391S

(12) **United States Design Patent**  
**Wachter**

(10) **Patent No.:** **US D769,391 S**  
(45) **Date of Patent:** **\*\* Oct. 18, 2016**

(54) **BALL CAP FOR AN ELONGATED RECREATIONAL FLOTATION DEVICE**

(71) Applicant: **I CANDY BY JW LLC**, Old Westbury, NY (US)

(72) Inventor: **Jaclyn Wachter**, Old Westbury, NY (US)

(73) Assignee: **I CANDY BY JW LLC**, Old Westbury, NY (US)

(\*\*) Term: **14 Years**

(21) Appl. No.: **29/496,802**

(22) Filed: **Jul. 17, 2014**

(51) **LOC (10) Cl.** ..... **21-02**

(52) **U.S. Cl.**  
USPC ..... **D21/803**

(58) **Field of Classification Search**  
USPC ..... D21/769-770, 801, 803, 809; 114/253, 114/345-346; 441/35, 66, 74, 40-42, 441/129-132; 472/128-129; D12/5, 6, 316; D6/392, 595, 596, 601, 604, 605  
CPC ..... B63B 35/76  
See application file for complete search history.

(56) **References Cited**

U.S. PATENT DOCUMENTS

5,577,396	A *	11/1996	Cannon	63/13
5,628,658	A	5/1997	Clifford	
5,885,123	A	3/1999	Clifford	
5,971,823	A	10/1999	Sanso	

6,106,349	A	8/2000	Motosko	
6,167,725	B1 *	1/2001	Siekierski	63/12
6,244,073	B1 *	6/2001	Kaping, Jr.	63/12
6,470,709	B1 *	10/2002	Siekierski	63/12
6,675,613	B2 *	1/2004	Ashton	63/12
7,008,281	B2	3/2006	Ketko	
7,052,347	B2 *	5/2006	Goldmeier	441/129
D618,968	S *	7/2010	Belden	D7/620
7,914,352	B2	3/2011	Williams	
8,117,866	B2 *	2/2012	Crockett	63/12
D708,690	S *	7/2014	Liberatore	D21/803
D729,333	S *	5/2015	Arnold et al.	D21/803
2008/0124991	A1	5/2008	Kolarick et al.	
2012/0269570	A1	10/2012	Felber	
2013/0052896	A1	2/2013	Abraham	
2013/0280972	A1	10/2013	Cheung	

\* cited by examiner

*Primary Examiner* — Zenia Bennett

(74) *Attorney, Agent, or Firm* — Carter, DeLuca, Farrell & Schmidt, LLP

(57) **CLAIM**

The ornamental design for a ball cap for an elongated recreational flotation device, as shown and described.

**DESCRIPTION**

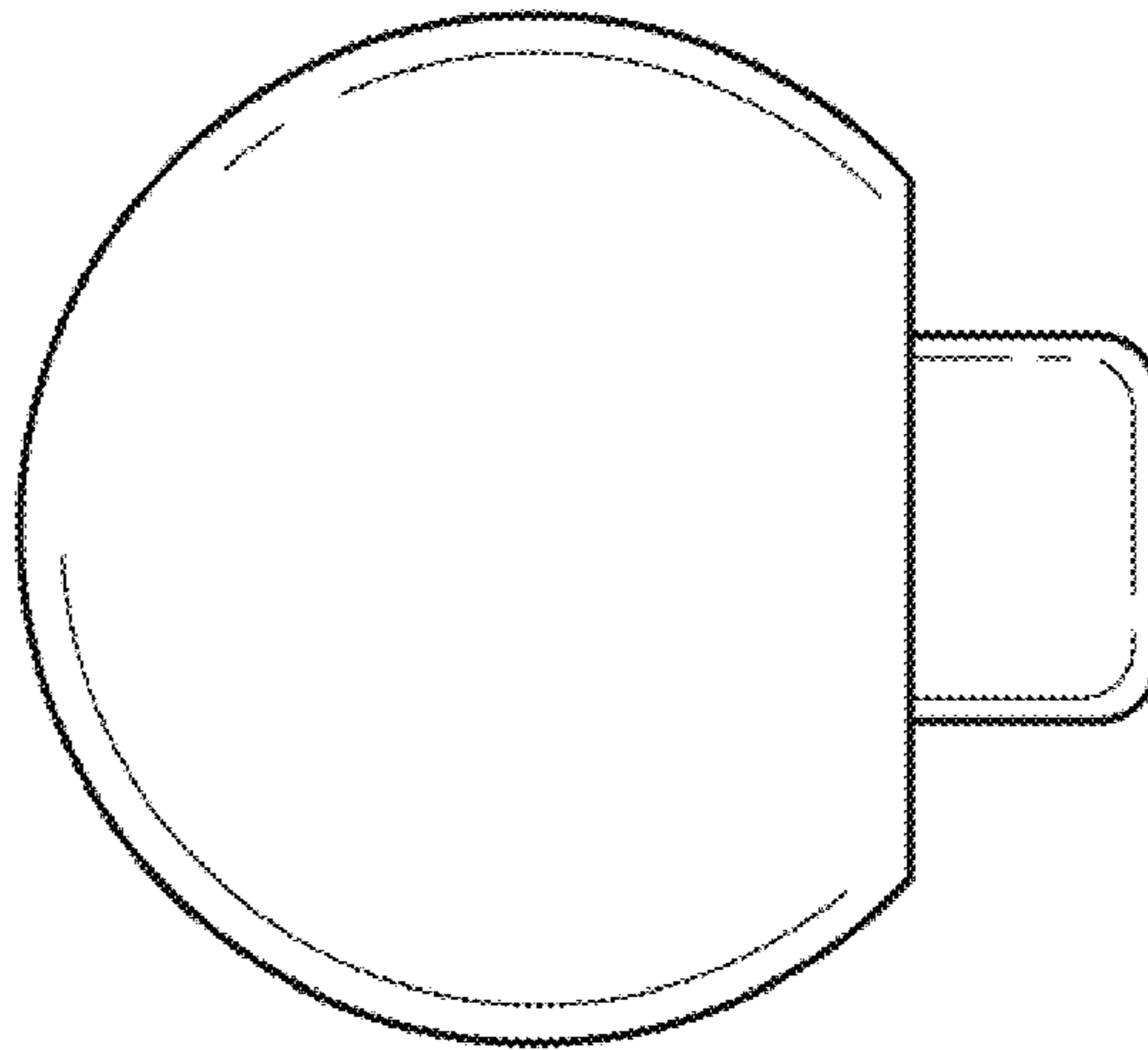
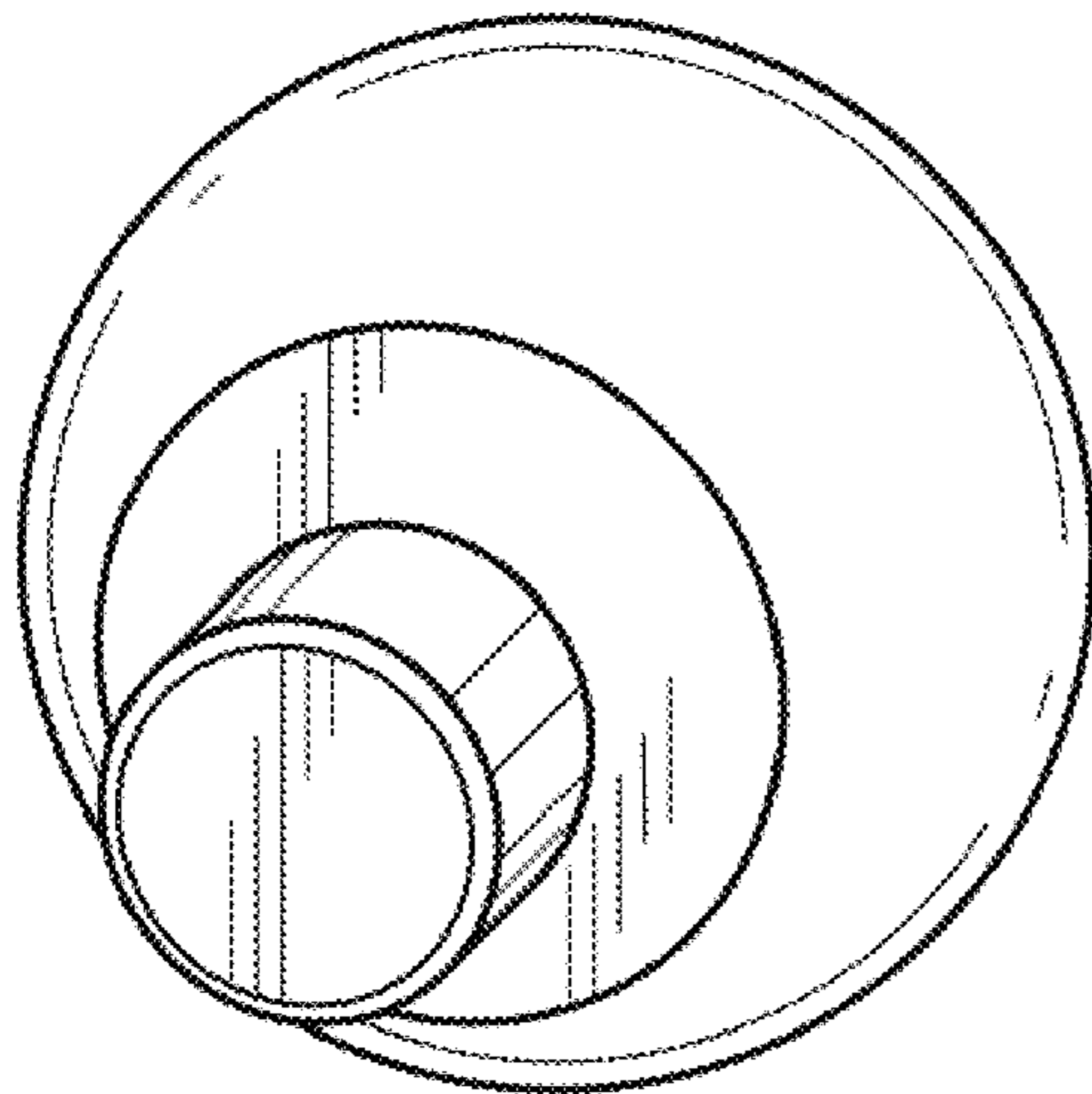
FIG. 1 is a perspective view of a ball cap for an elongated recreational flotation device in accordance with the present design;

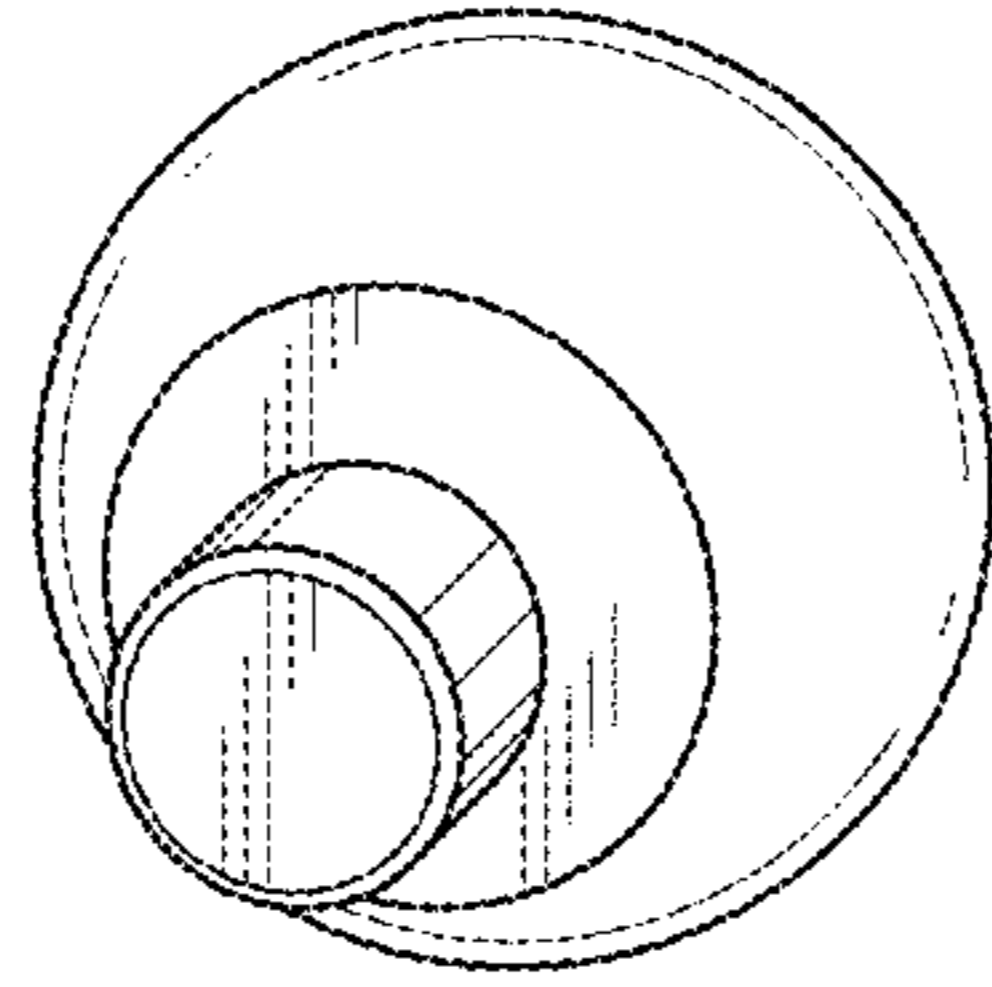
FIG. 2 is a left side view thereof, the right side view being a mirror image thereof;

FIG. 3 is a bottom view thereof; and,

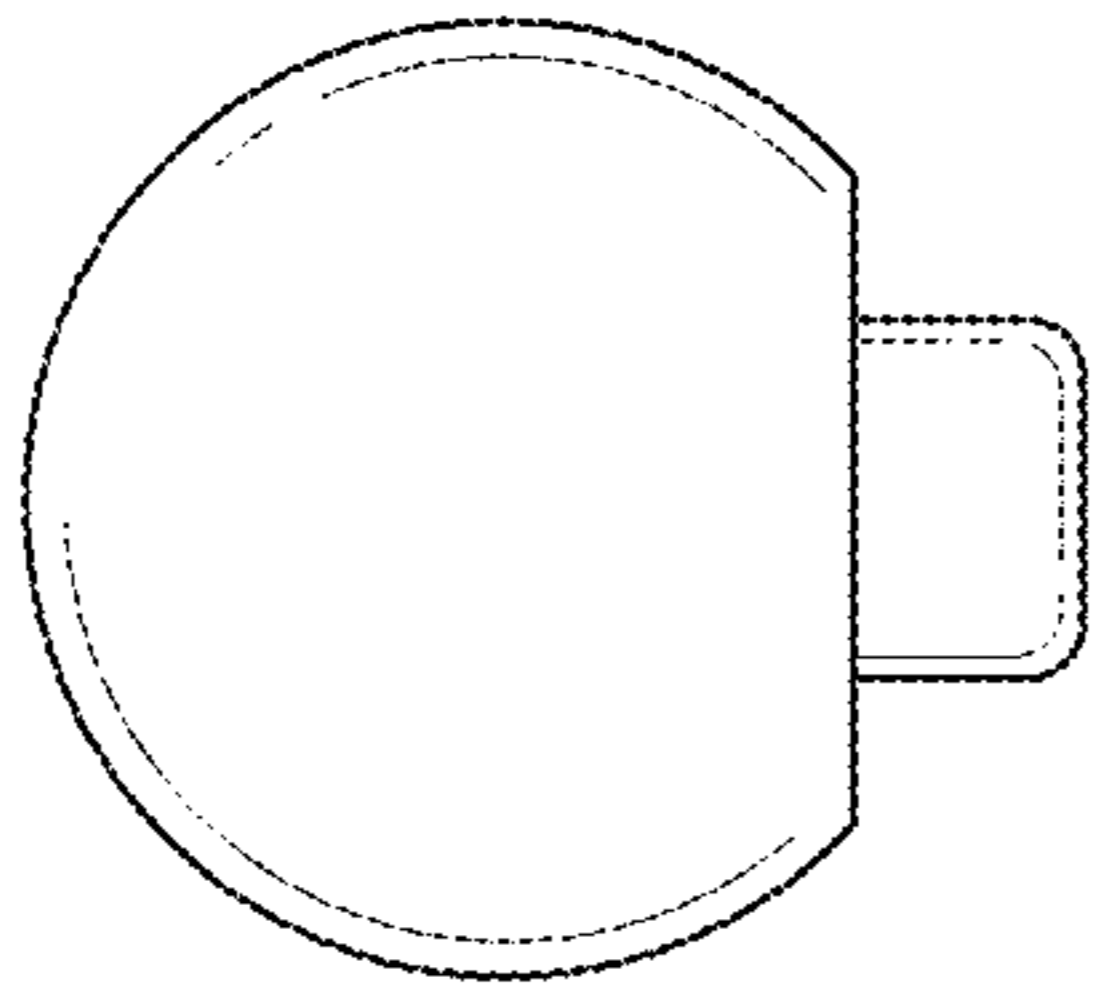
FIG. 4 is a top view thereof.

**1 Claim, 1 Drawing Sheet**

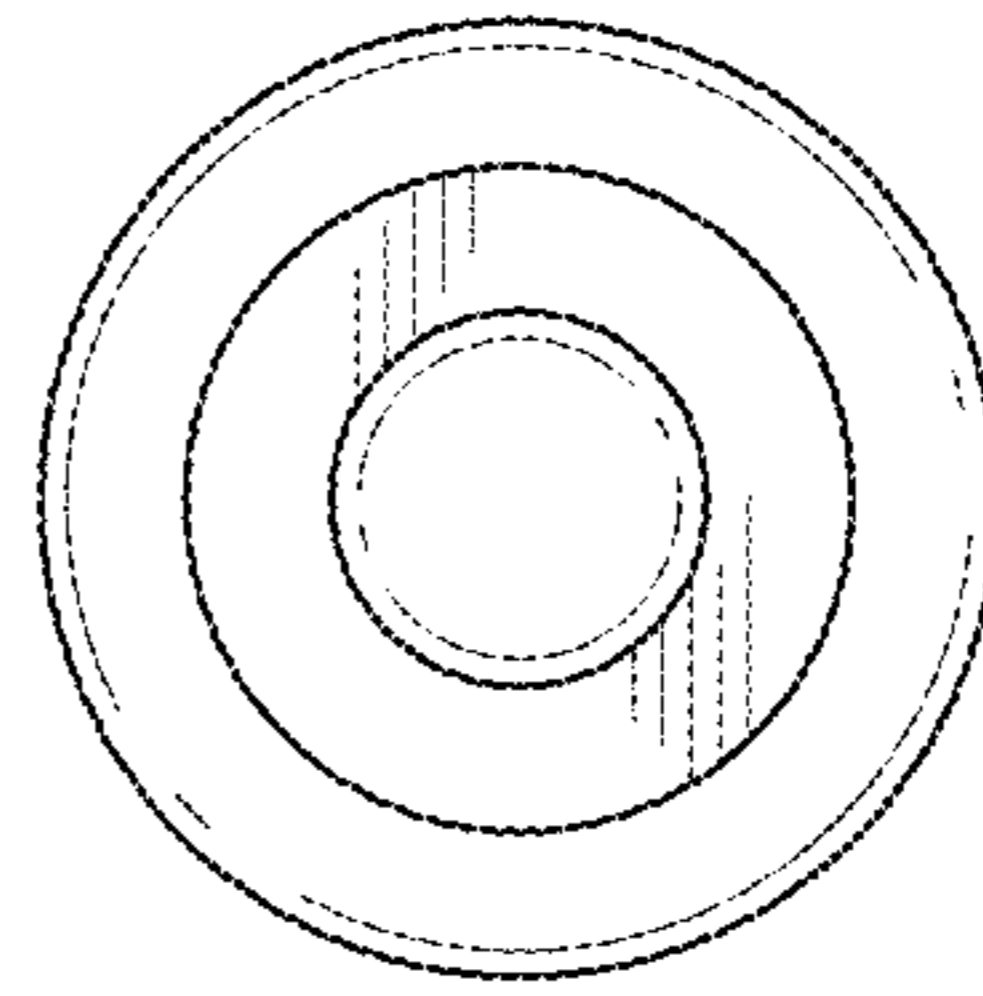




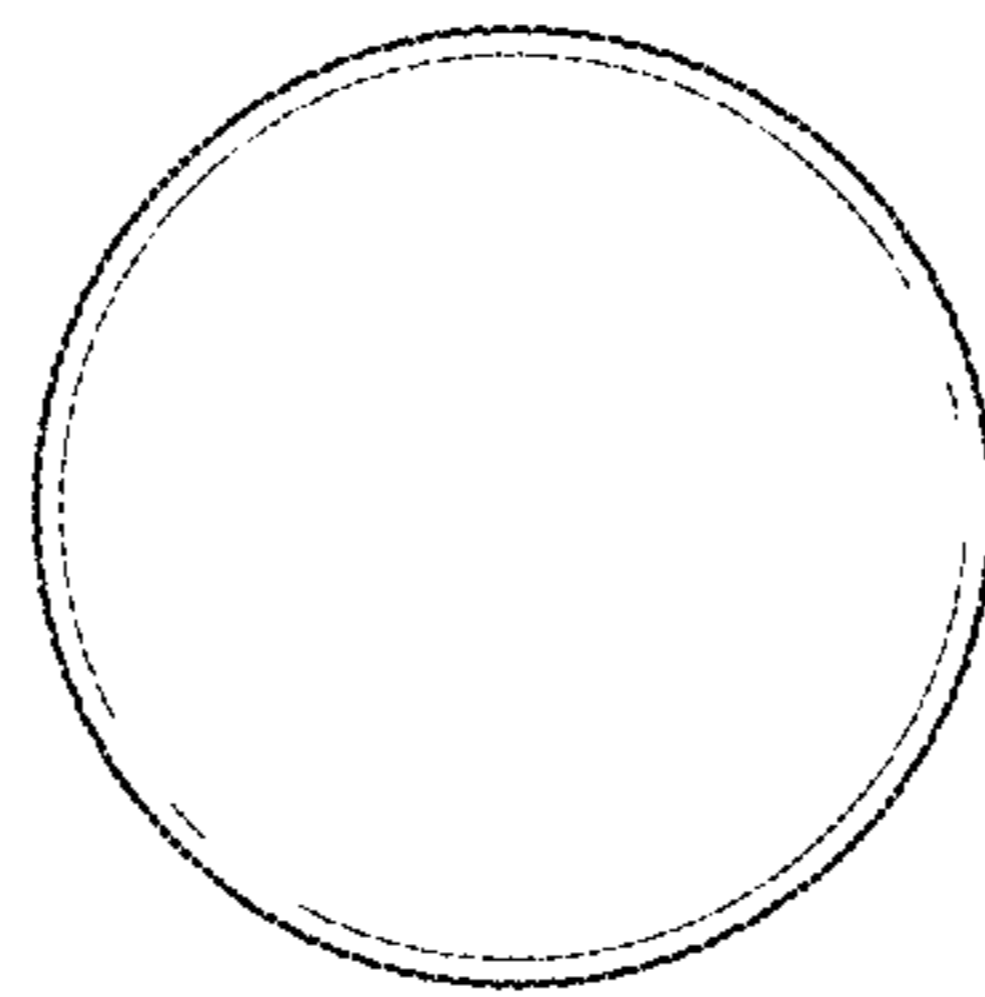
**FIG. 1**



**FIG. 2**



**FIG. 3**



**FIG. 4**