



US00D769388S

(12) **United States Design Patent**
Schmidt

(10) **Patent No.:** **US D769,388 S**

(45) **Date of Patent:** **** Oct. 18, 2016**

- (54) **TEE**
- (71) Applicant: **Preston Schmidt**, Richfield, MN (US)
- (72) Inventor: **Preston Schmidt**, Richfield, MN (US)
- (**) Term: **14 Years**
- (21) Appl. No.: **29/512,715**
- (22) Filed: **Dec. 22, 2014**
- (51) **LOC (10) Cl.** **21-02**
- (52) **U.S. Cl.**
USPC **D21/791**
- (58) **Field of Classification Search**
USPC D21/717, 718, 789, 791
CPC A63B 69/0079; A63B 43/007; A63B
69/3655; A63B 57/10; A63B 69/36
See application file for complete search history.

(56) **References Cited**

U.S. PATENT DOCUMENTS

- 2,219,732 A 10/1940 Armstrong
- 2,929,632 A * 3/1960 Moffatt A63B 69/0079
473/143
- 3,006,647 A 10/1961 Haskett
- 3,397,885 A 8/1968 Nash, Jr.
- D216,403 S * 12/1969 Terry D21/466
- 3,827,696 A 8/1974 Schafer
- 3,851,886 A 12/1974 Acosta
- 3,893,669 A 7/1975 Myers
- 4,496,156 A * 1/1985 Centafanti A63B 69/0079
473/143
- D279,121 S * 6/1985 Wampler D21/717
- 4,861,035 A * 8/1989 Page A63B 69/0079
273/333
- 4,932,660 A * 6/1990 Wang A63B 69/0079
473/143
- D319,092 S * 8/1991 Dennesen D21/466
- 5,121,923 A * 6/1992 D'Allura A63B 69/0091
206/315.1
- 5,480,141 A 1/1996 Wood
- 5,577,964 A 11/1996 Chen
- 5,672,118 A 9/1997 Robbie
- D391,333 S * 2/1998 Russell D21/791
- 5,746,667 A 5/1998 Fraser et al.

- 6,257,989 B1 7/2001 Tortola et al.
- D459,426 S * 6/2002 Wang D21/791
- 6,679,793 B2 * 1/2004 Joo A63B 57/0031
224/918
- 6,729,978 B2 5/2004 Moss et al.
- D491,990 S * 6/2004 Lu D21/717
- D500,544 S * 1/2005 Wu D21/791
- 7,115,052 B2 10/2006 Wardle et al.
- D555,221 S * 11/2007 Munshi D21/791
- 8,137,207 B2 * 3/2012 Brantingham A63B 24/0021
473/139
- 8,562,450 B2 * 10/2013 Gormley A63B 43/007
473/146
- 8,784,240 B1 7/2014 Buono et al.
- 8,986,128 B2 * 3/2015 Brantingham A63B 69/0079
139/279
- D728,718 S * 5/2015 McDonald D21/789
- D752,696 S * 3/2016 Foley D21/718
- 2009/0082140 A1 3/2009 Liao
- 2010/0304900 A1 12/2010 Gu
- 2015/0209644 A1 7/2015 Verma

* cited by examiner

Primary Examiner — Mitchell Siegel

(74) *Attorney, Agent, or Firm* — Dorsey & Whitney LLP

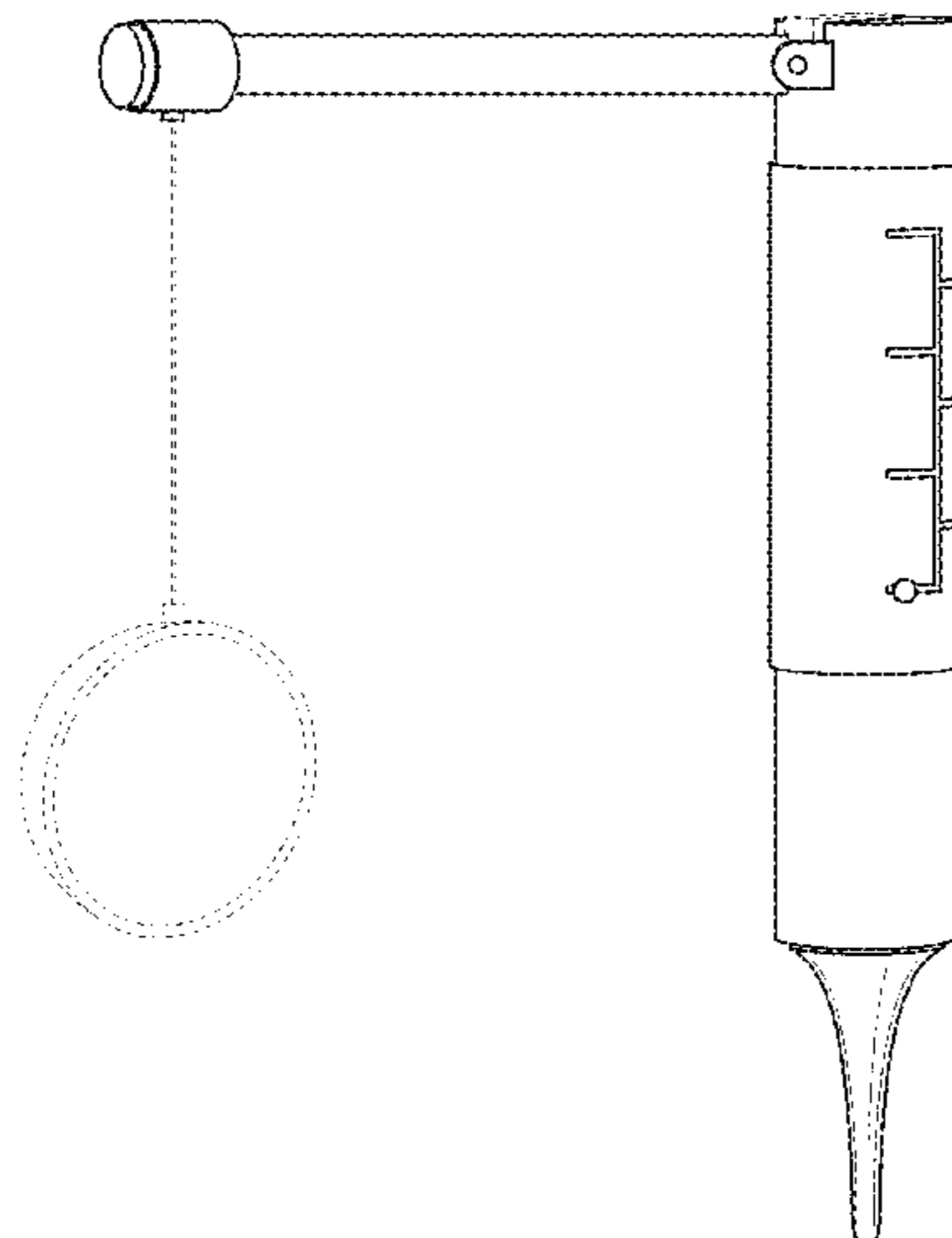
(57) **CLAIM**

The ornamental design for a tee, as shown and described.

DESCRIPTION

FIG. 1 is a perspective view of a tee;
 FIG. 2 is a front view of the tee in FIG. 1.
 FIG. 3 is a back view of the tee in FIG. 1, opposite the front view of FIG. 2.
 FIG. 4 is a side view of the tee, shown from the right of FIG. 2.
 FIG. 5 is a side view of the tee, shown from the left of FIG. 2.
 FIG. 6 is a top end view of the tee in FIG. 2; and,
 FIG. 7 is a bottom end view of the tee in FIG. 2, opposite the top end view of FIG. 6.
 Any broken lines in the drawings show environmental structure and define boundaries of the design, forming no part of the design to be patented.

1 Claim, 5 Drawing Sheets



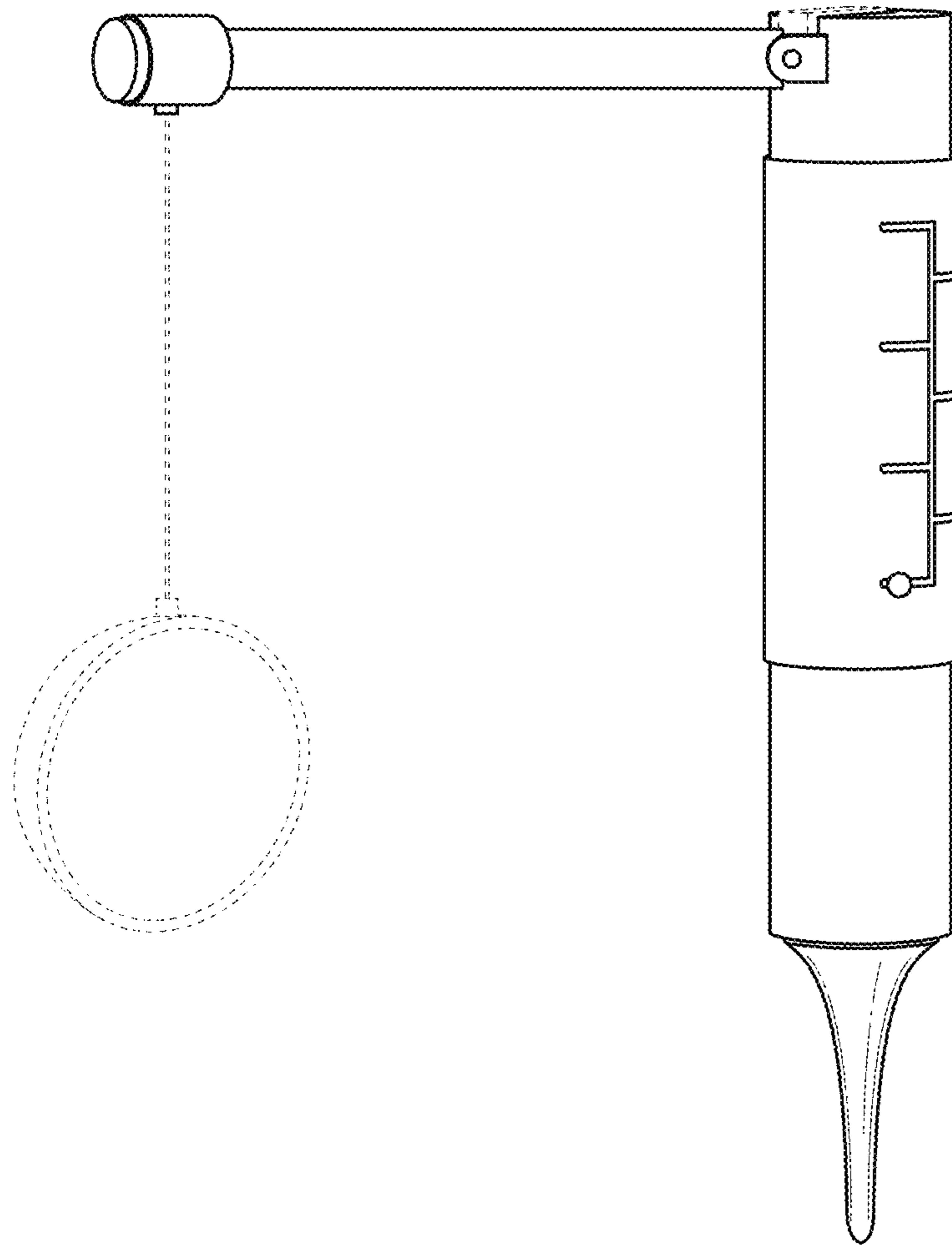


Fig. 1

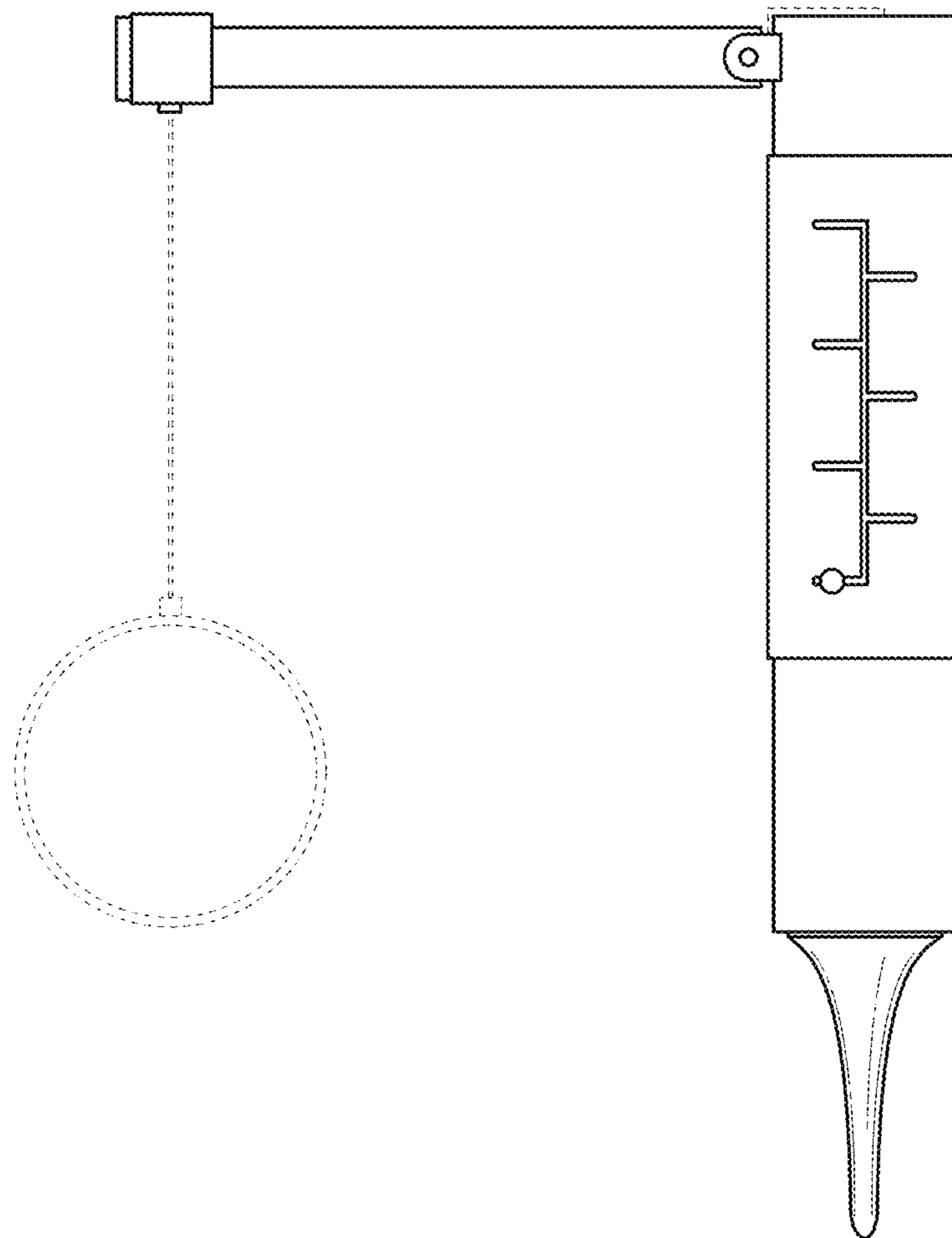


Fig. 2

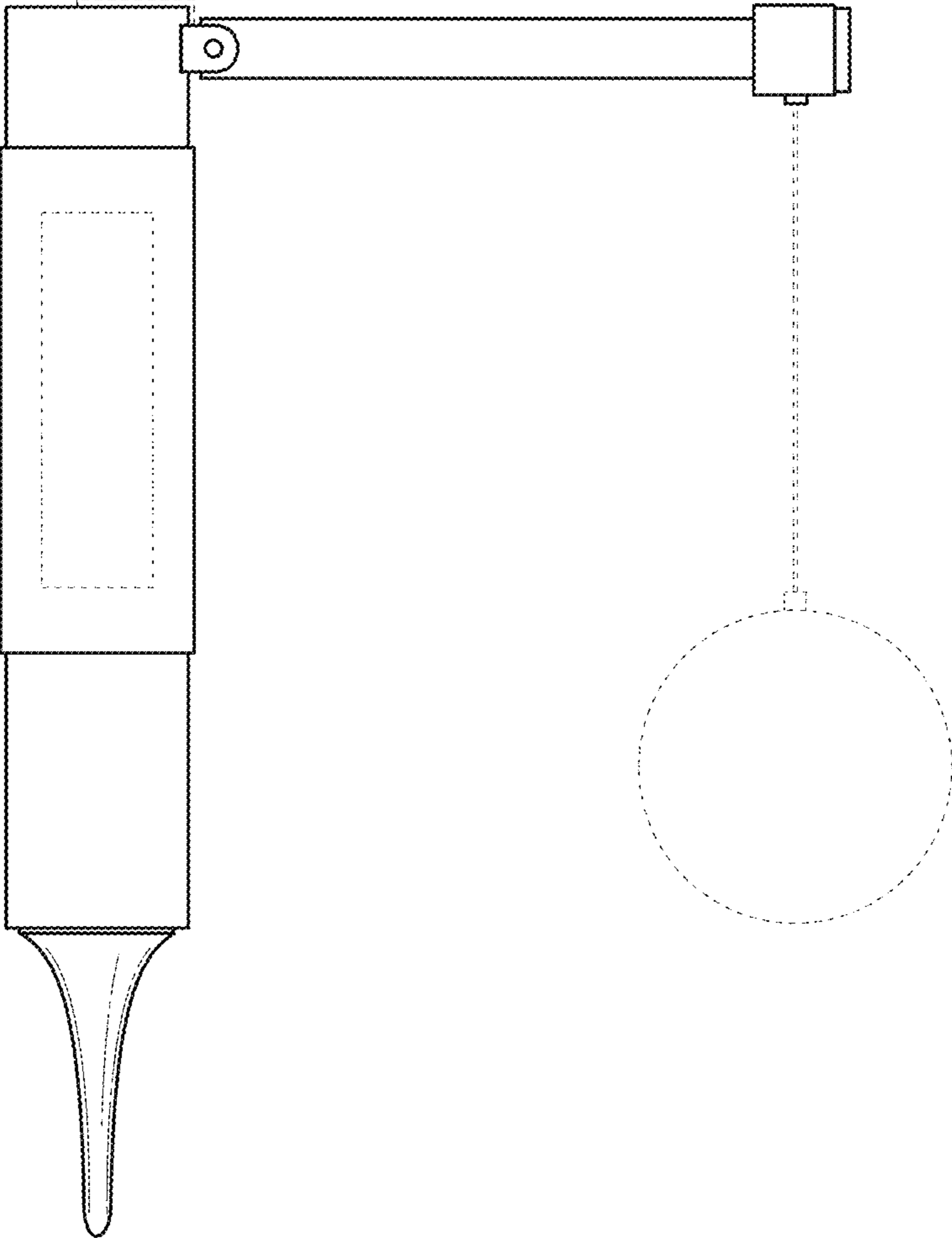


Fig. 3

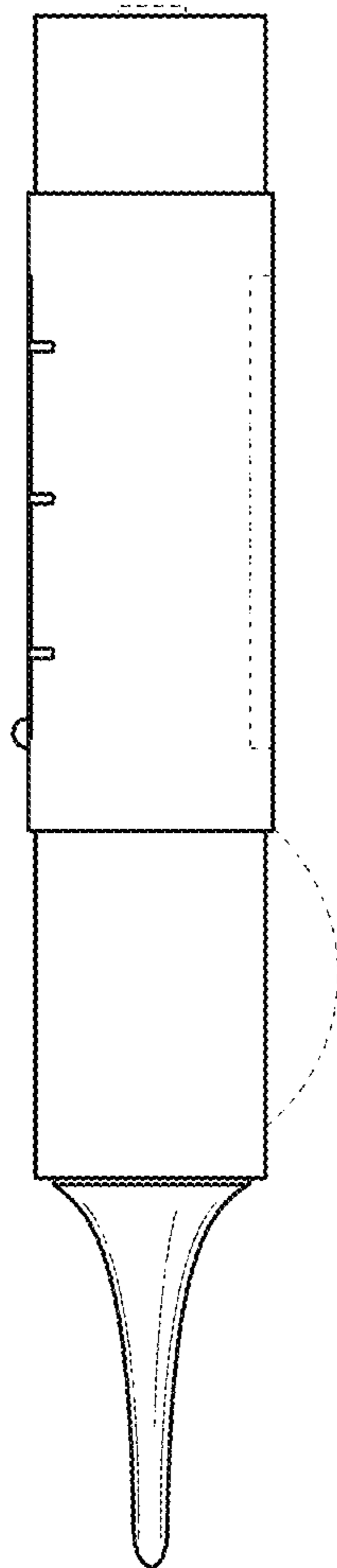


Fig. 4

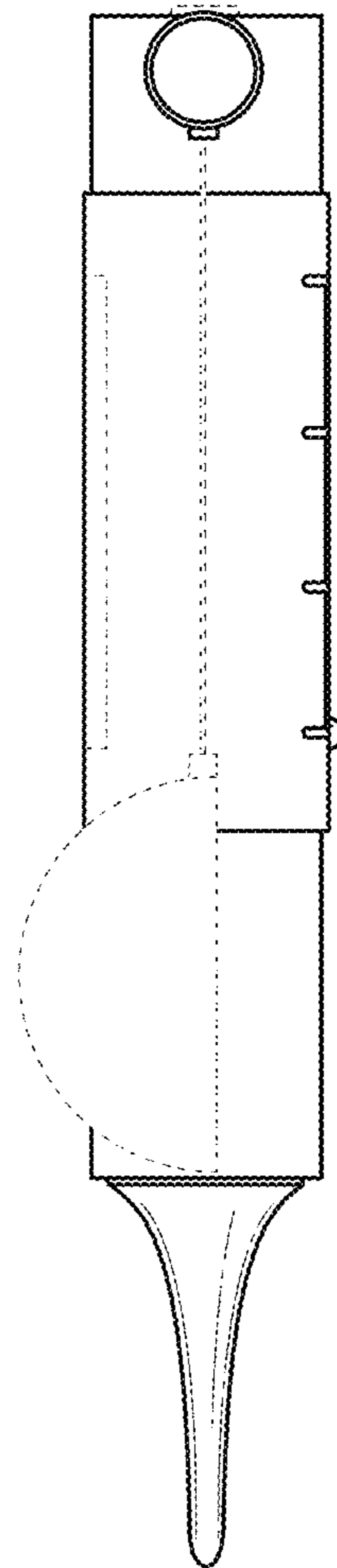


Fig. 5

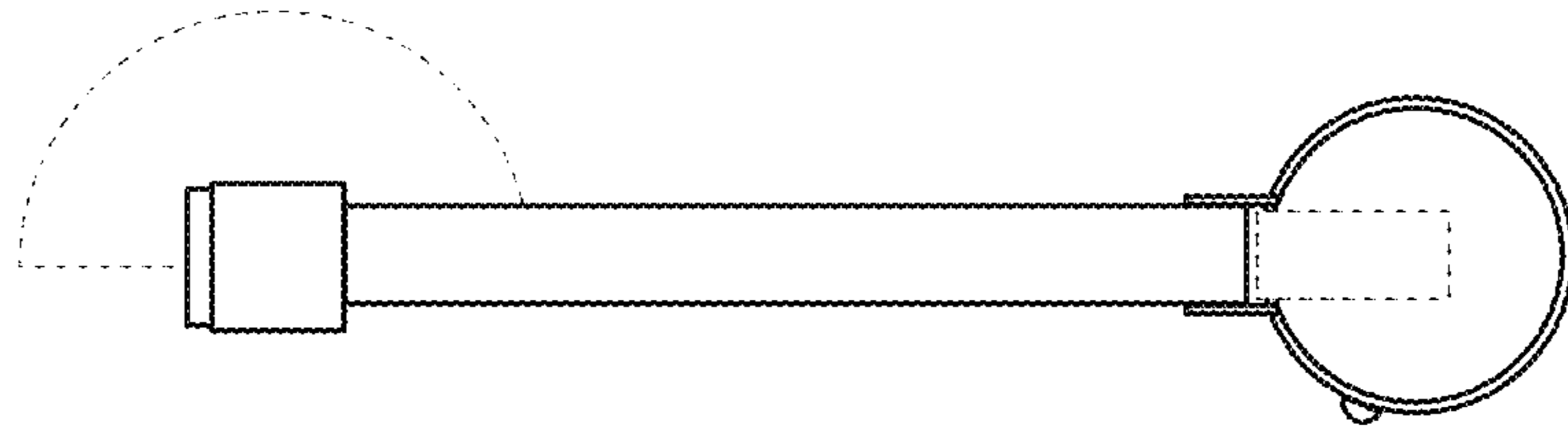


Fig. 6

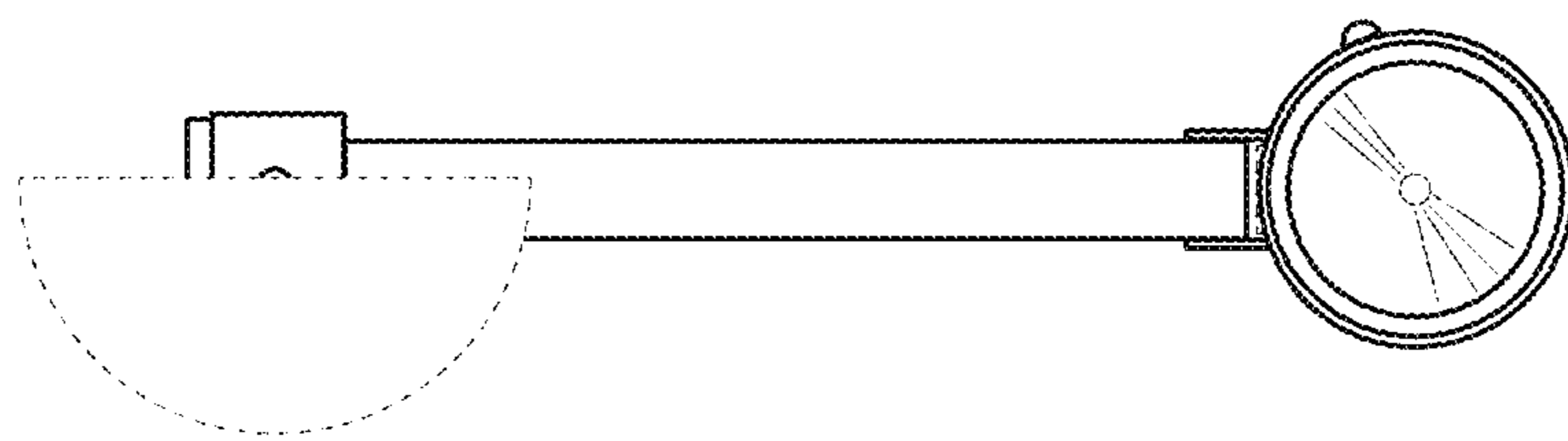


Fig. 7