



US00D769385S

(12) **United States Design Patent** (10) **Patent No.:** **US D769,385 S**  
**Tang et al.** (45) **Date of Patent:** **\*\* Oct. 18, 2016**

(54) **PUTTER HEAD**  
(71) Applicant: **CALLAWAY GOLF COMPANY,**  
Carlsbad, CA (US)  
(72) Inventors: **Larry Tang,** Carlsbad, CA (US); **Mark S. Noyes,** Rancho Santa Margarita, CA (US); **Wee Joung Kim,** Vista, CA (US)  
(73) Assignee: **Callaway Golf Company,** Carlsbad, CA (US)  
(\*\*) Term: **15 Years**

D591,807 S \* 5/2009 Rollinson ..... D21/744  
D595,373 S \* 6/2009 Kim ..... D21/744  
D633,970 S \* 3/2011 Cardani ..... D21/759  
D636,830 S \* 4/2011 Cardani ..... D21/759  
D672,418 S \* 12/2012 Rollinson ..... D21/759  
D688,341 S \* 8/2013 Rollinson ..... D21/746  
D691,226 S \* 10/2013 Hilton ..... D21/746  
D704,782 S \* 5/2014 Rollinson ..... D21/736  
D715,388 S \* 10/2014 Serrano ..... D21/743  
D728,715 S \* 5/2015 Cameron ..... D21/736  
D730,464 S \* 5/2015 Cameron ..... D21/743  
D731,605 S \* 6/2015 Rollinson ..... D21/736  
D733,825 S \* 7/2015 Kim ..... D21/759  
D736,877 S \* 8/2015 Foster ..... D21/759  
D759,176 S \* 6/2016 Abbott ..... D21/759  
D759,177 S \* 6/2016 Abbott ..... D21/759

(21) Appl. No.: **29/537,671**  
(22) Filed: **Aug. 27, 2015**  
(51) **LOC (10) Cl.** ..... **21-02**  
(52) **U.S. Cl.**  
USPC ..... **D21/759**  
(58) **Field of Classification Search**  
USPC ..... D21/736-746, 759  
CPC A63B 53/00; A63B 53/065; A63B 53/0487;  
A63B 53/007; A63B 53/04  
See application file for complete search history.

\* cited by examiner  
*Primary Examiner* — Mitchell Siegel  
(74) *Attorney, Agent, or Firm* — Rebecca Hanovice;  
Michael Catania; Sonia Lari

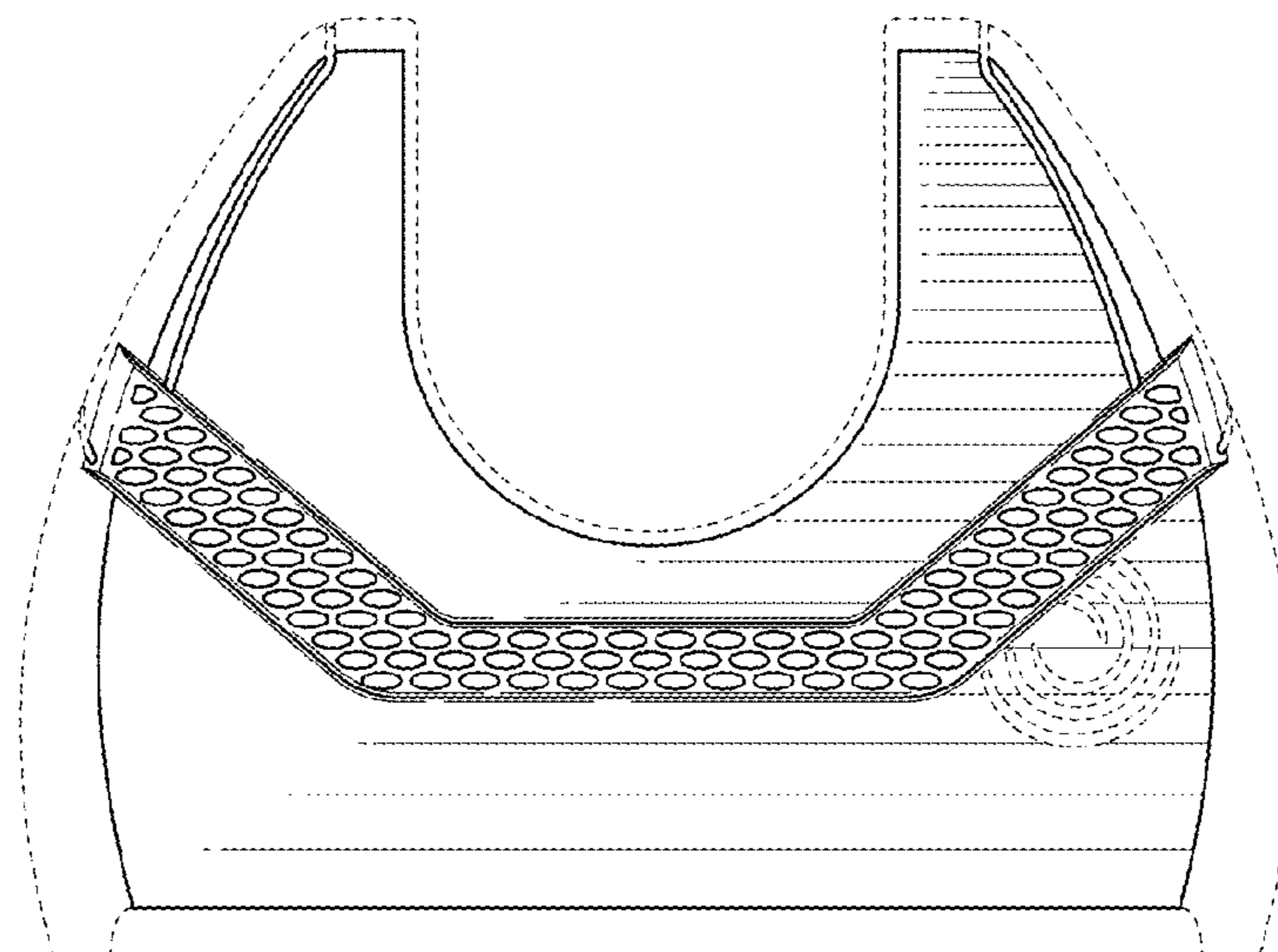
(56) **References Cited**  
U.S. PATENT DOCUMENTS  
D350,177 S \* 8/1994 Ramirez ..... D21/745  
D492,973 S \* 7/2004 Madore ..... D21/759  
D509,870 S \* 9/2005 Madore ..... D21/759  
D511,362 S \* 11/2005 Madore ..... D21/759  
D532,845 S \* 11/2006 Rollinson ..... D21/736  
D574,908 S \* 8/2008 Hettinger ..... D21/743  
D582,497 S \* 12/2008 Rollinson ..... D21/744  
D589,575 S \* 3/2009 Kim ..... D21/744  
D590,461 S \* 4/2009 Kim ..... D21/743

(57) **CLAIM**  
The ornamental design for a putter head, as shown and described.

**DESCRIPTION**

FIG. 1 is a rear perspective view of a first embodiment of the putter head as claimed herein;  
FIG. 2 is a rear elevational view thereof;  
FIG. 3 is a front elevational view thereof;  
FIG. 4 is a right side elevational view thereof;  
FIG. 5 is a left side elevational view thereof;  
FIG. 6 is a top plan view thereof; and,  
FIG. 7 is a bottom plan view thereof.  
The broken lines are included for the purpose of illustration and form no part of the claimed design.

**1 Claim, 4 Drawing Sheets**



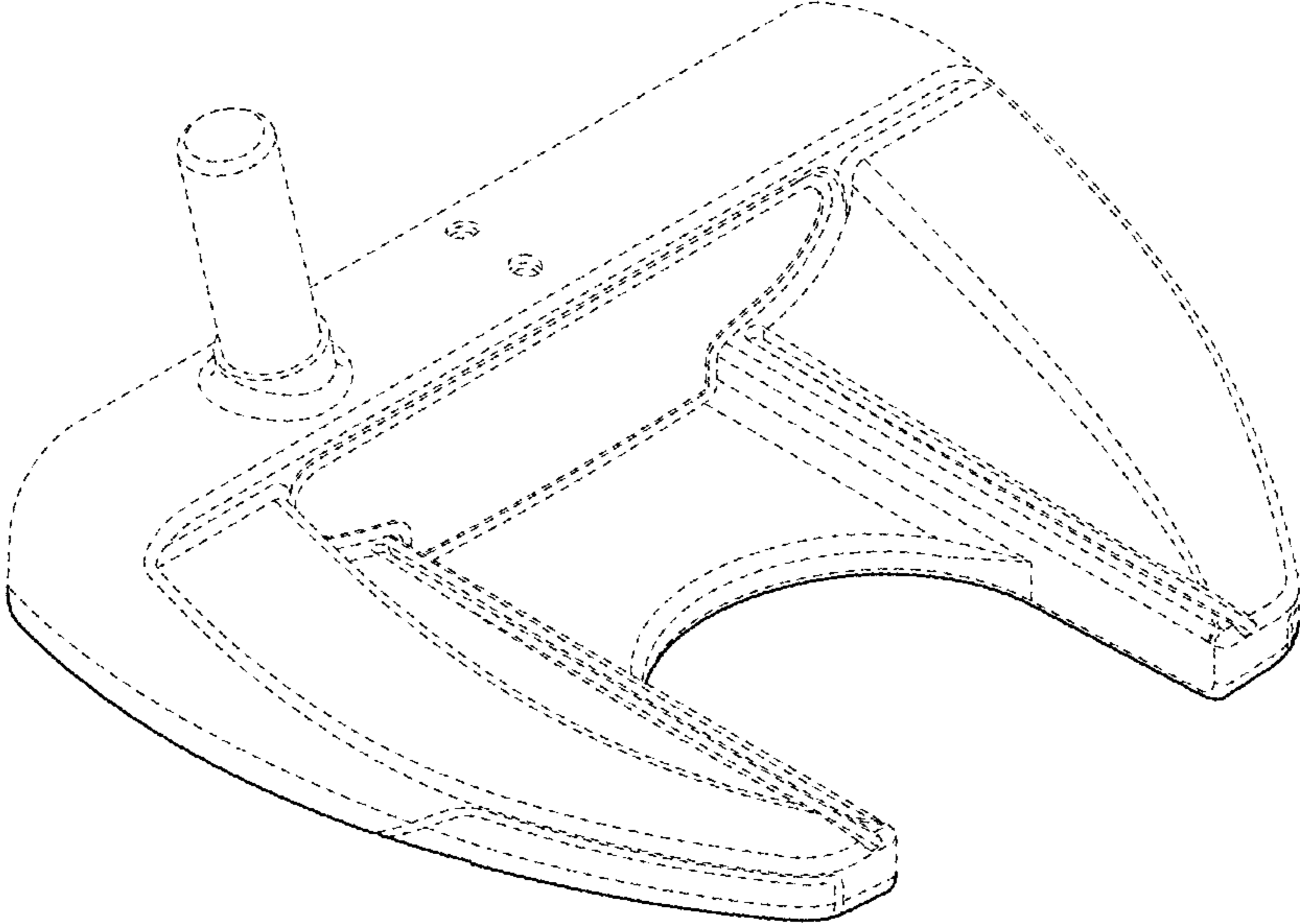


FIG. 1

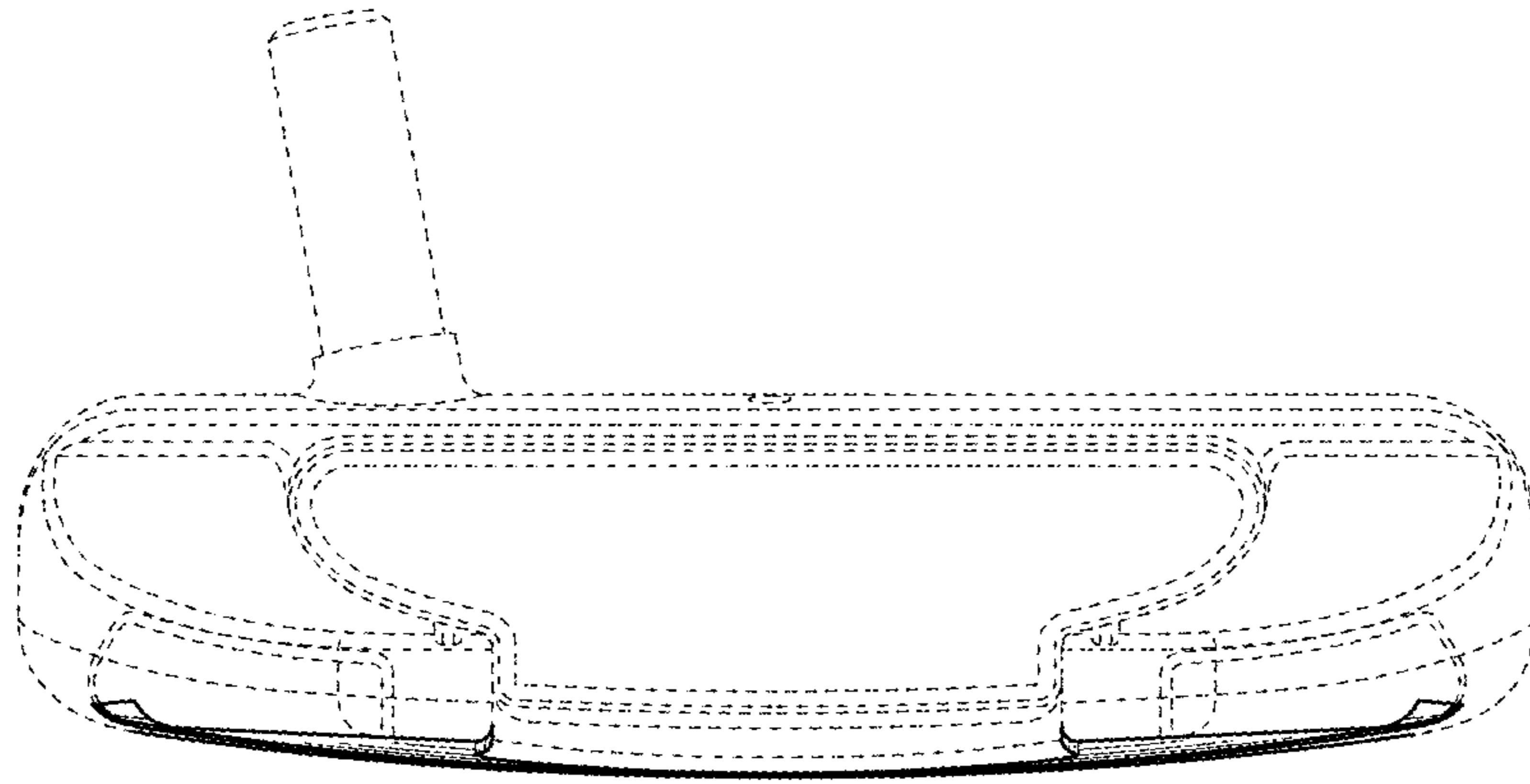


FIG. 2

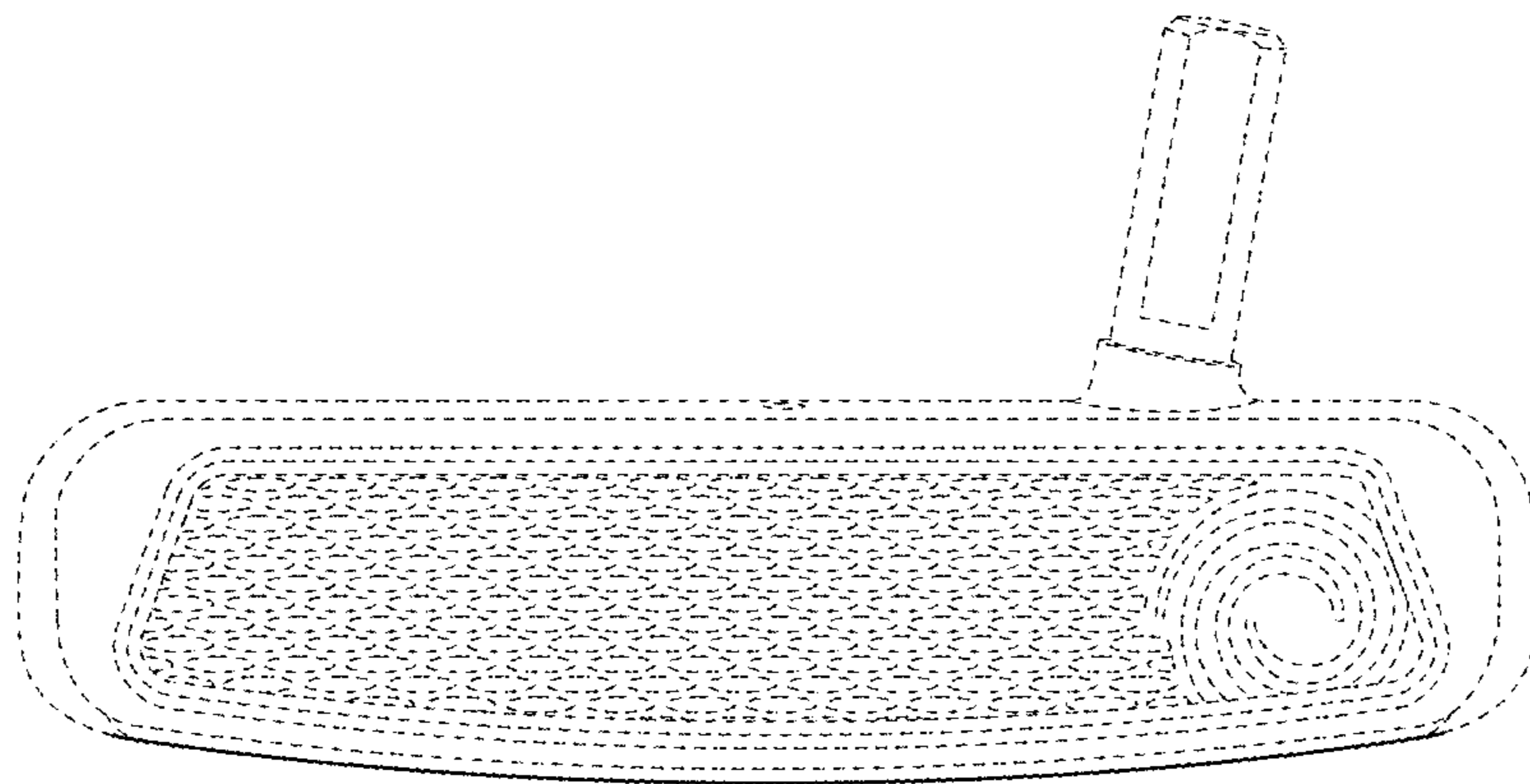


FIG. 3

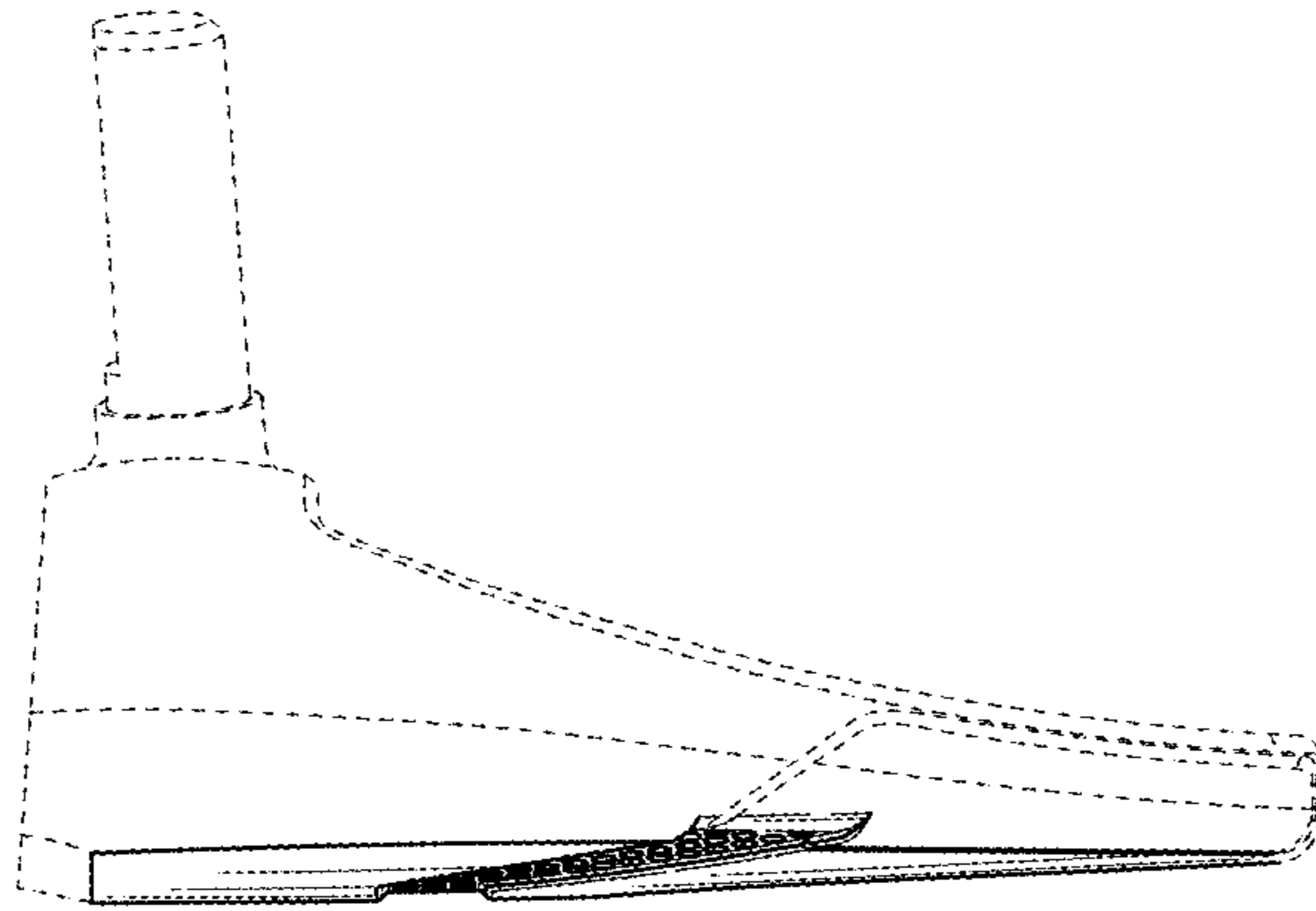


FIG. 4

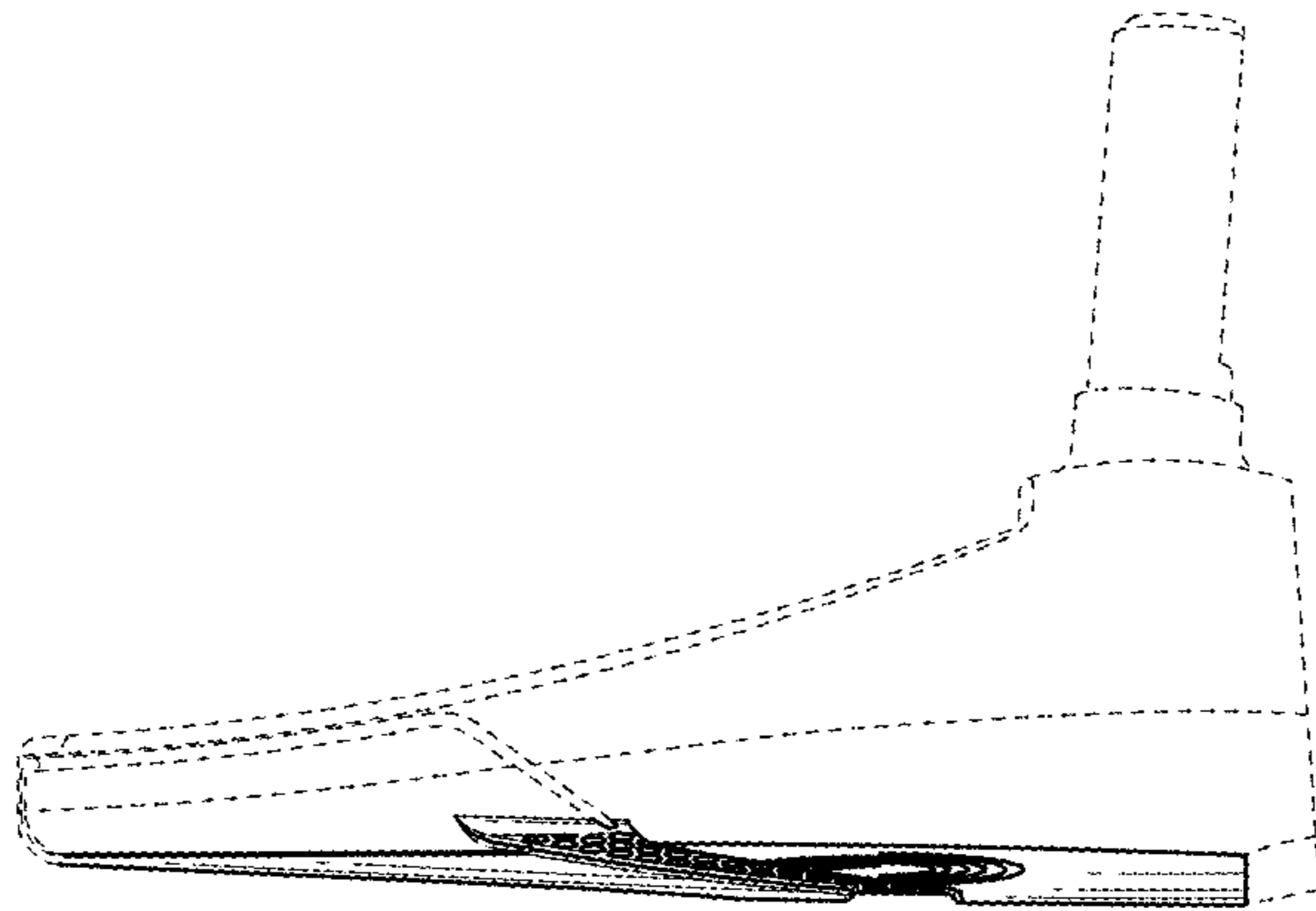


FIG. 5

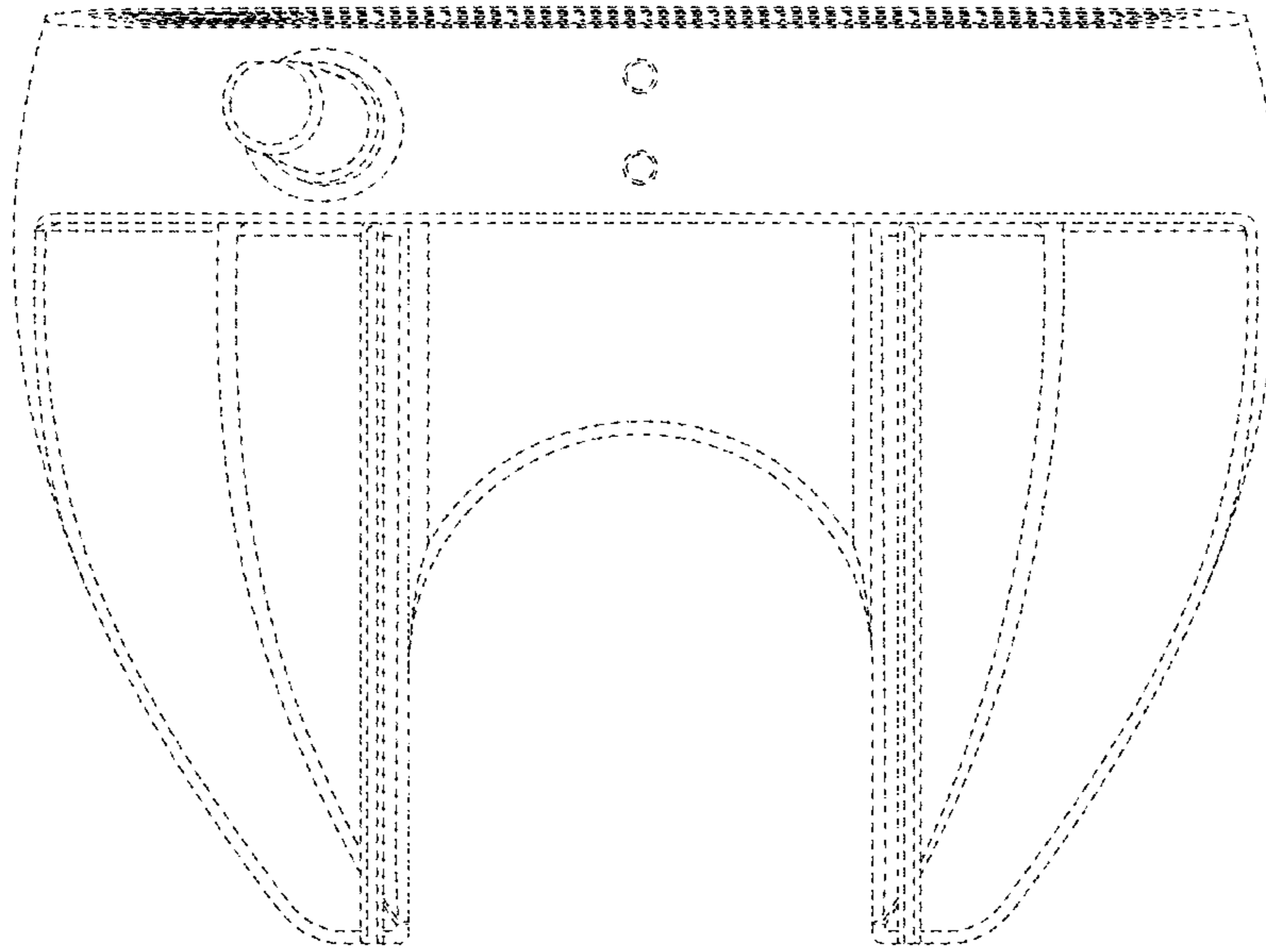


FIG. 6

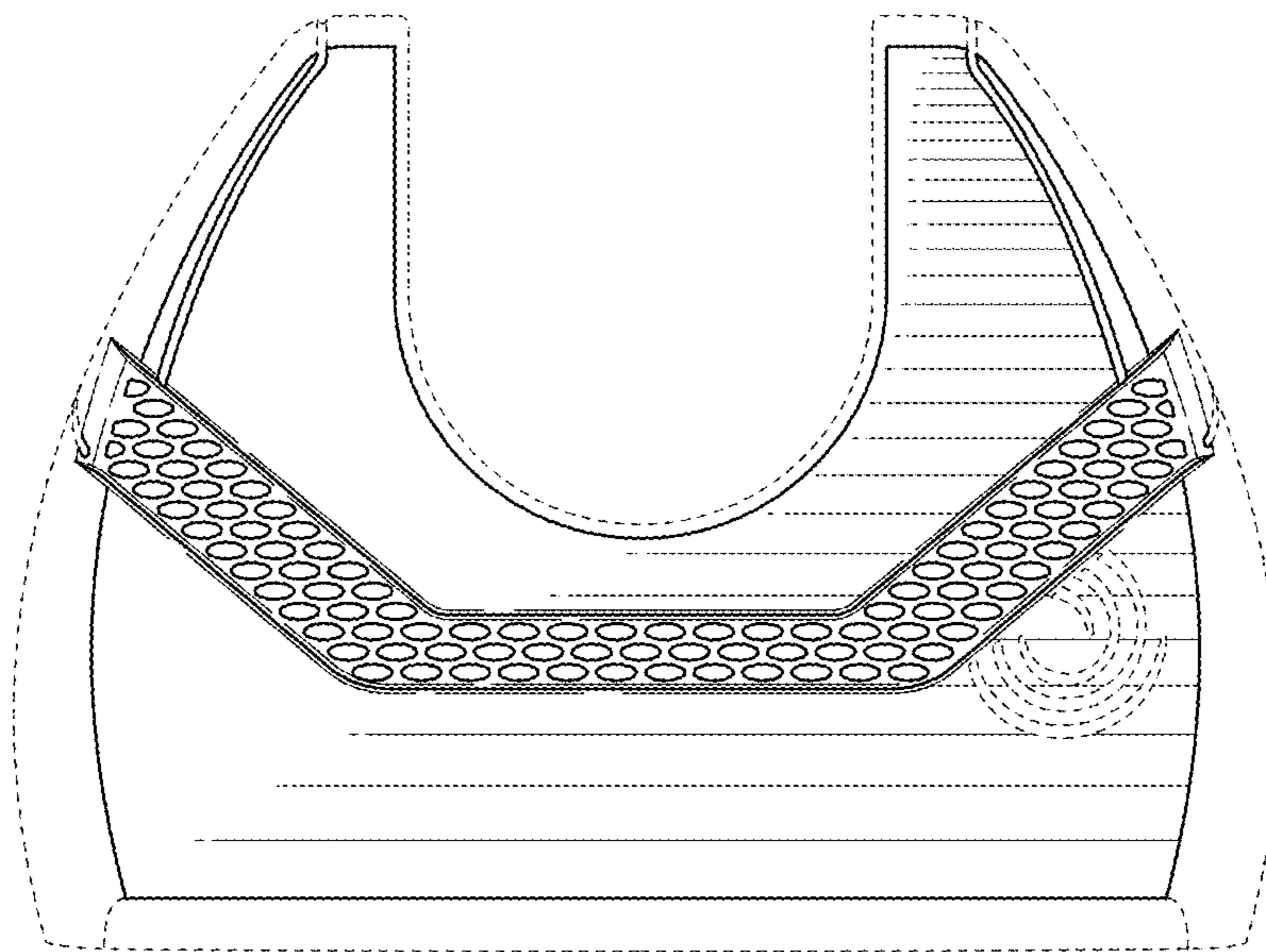


FIG. 7