



US00D769384S

(12) **United States Design Patent** (10) **Patent No.:** **US D769,384 S**
Altemus, Jr. (45) **Date of Patent:** **** Oct. 18, 2016**

- (54) **SPLIT BEARING RETAINER FOR A BAT, CLUB OR RACKET**
- (71) Applicant: **Armin Joseph Altemus, Jr.**, Riverside, CA (US)
- (72) Inventor: **Armin Joseph Altemus, Jr.**, Riverside, CA (US)
- (**) Term: **15 Years**
- (21) Appl. No.: **29/531,304**
- (22) Filed: **Jun. 24, 2015**
- (51) **LOC (10) Cl.** **21-02**
- (52) **U.S. Cl.**
USPC **D21/759; D21/753; D21/791; D23/262; D8/382**
- (58) **Field of Classification Search**
USPC **D21/753, 759, 789, 791; D23/262, 265; D8/382, 396**
CPC **F16D 1/0864; A63B 69/36; A63B 69/00; A63B 69/0002; A63B 69/3632; A63B 69/00024; A63B 69/00026; A63B 2069/0008; A63B 69/38; F16L 17/04**
See application file for complete search history.

D560,764 S *	1/2008	Gibb	D23/265
D568,451 S *	5/2008	Gibb	D23/262
D568,970 S *	5/2008	Gibb	D23/262
D568,971 S *	5/2008	Gibb	D23/262
D570,458 S *	6/2008	Gibb	D23/262
7,401,819 B2 *	7/2008	Gibb	F16L 17/04 285/112
D577,423 S *	9/2008	Dole	D23/265
D583,444 S *	12/2008	Nagle	D23/262
D583,914 S *	12/2008	Pierce	D23/262
D583,916 S *	12/2008	Madara	D23/265
D590,902 S *	4/2009	De La Cruz	D21/753
D598,076 S *	8/2009	Dole	D23/262
8,075,217 B2 *	12/2011	Eason	F16B 7/0486 403/109.1
D665,471 S *	8/2012	Fossum	D21/753
D665,958 S *	8/2012	Johnson	D32/25
D670,776 S *	11/2012	Fossum	D21/753
D678,967 S *	3/2013	Fossum	D21/753
D697,153 S *	1/2014	Fossum	D21/753
D703,283 S *	4/2014	Livingston	D21/753
2009/0156322 A1 *	6/2009	Luly	A63B 69/3608 473/206

* cited by examiner

Primary Examiner — Mitchell Siegel
(74) *Attorney, Agent, or Firm* — Kirk A. Buhler; Buhler & Associates

(57) **CLAIM**
The ornamental design for a split bearing retainer for a bat, club or racket, as shown and described.

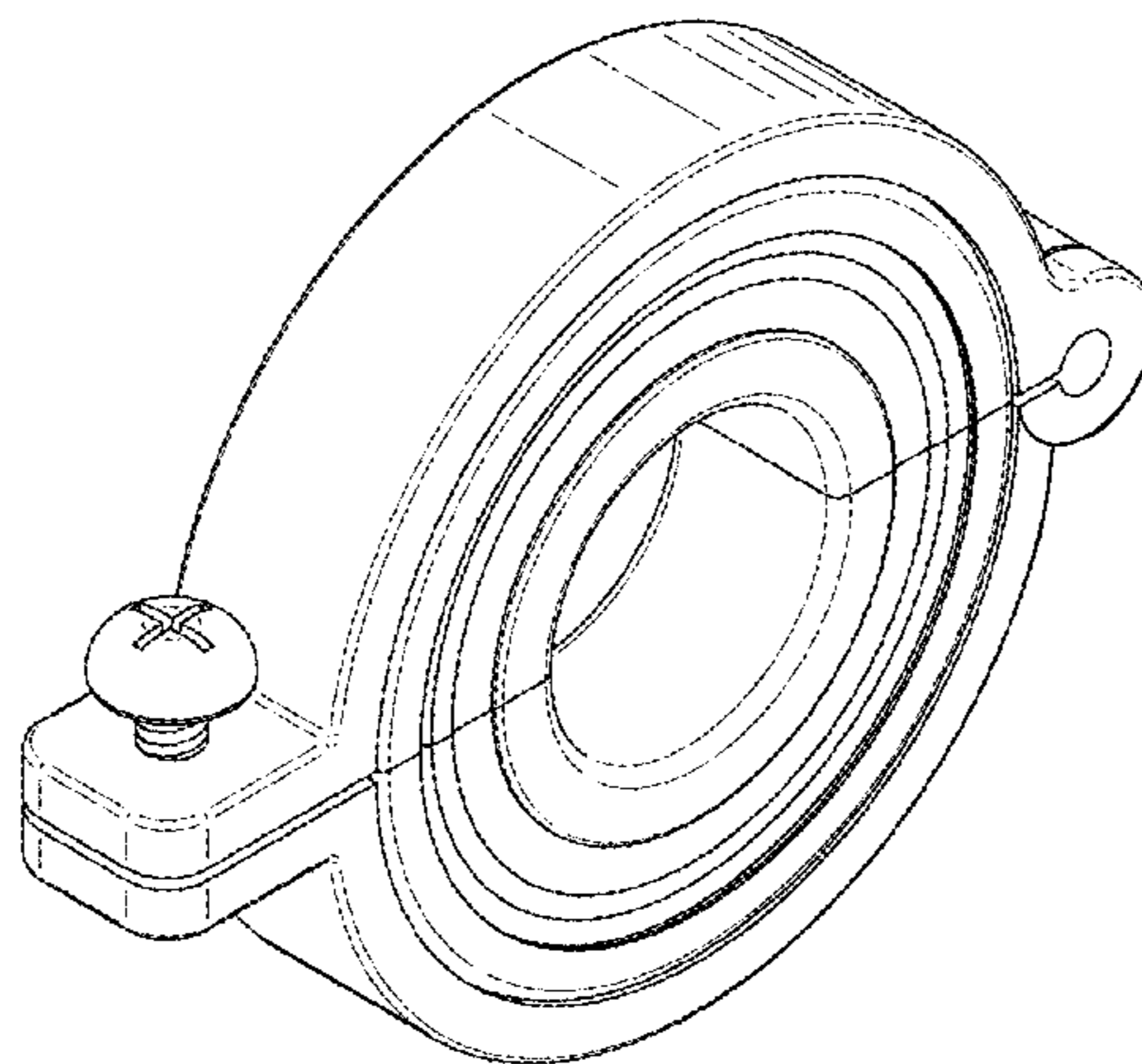
DESCRIPTION

FIG. 1 is a top perspective view for a split bearing retainer for a bat, club or racket showing my new design;
FIG. 2 is a left side view thereof;
FIG. 3 is a top side view thereof;
FIG. 4 is a right side view thereof;
FIG. 5 is a bottom side view thereof;
FIG. 6 is a front side view thereof;
FIG. 7 is a rear side view thereof; and,
FIG. 8 is a bottom perspective view shown in an environment of use.
The broken lines in FIG. 8 depict environmental subject matter of a section of a golf club for the invention and forms no part of the claimed design.

1 Claim, 5 Drawing Sheets

(56) **References Cited**
U.S. PATENT DOCUMENTS

D142,057 S *	8/1945	Baxter	D23/265
D189,229 S *	11/1960	Bowne	D23/265
D251,770 S	5/1979	Fredriksson		
D269,786 S	7/1983	Ostling		
D290,150 S *	6/1987	Stewart	D21/759
5,653,481 A *	8/1997	Alderman	F16B 31/04 24/279
D383,053 S *	9/1997	Schrader	D23/262
D383,378 S *	9/1997	Schrader	D23/262
D438,585 S *	3/2001	Pelot	D21/753
D456,827 S	5/2002	Butts		
6,413,006 B1 *	7/2002	Neugart	F16D 1/0864 403/290
D552,137 S	10/2007	Sim		
D553,971 S *	10/2007	Krueger	D8/396
D558,307 S *	12/2007	Gibb	D23/265



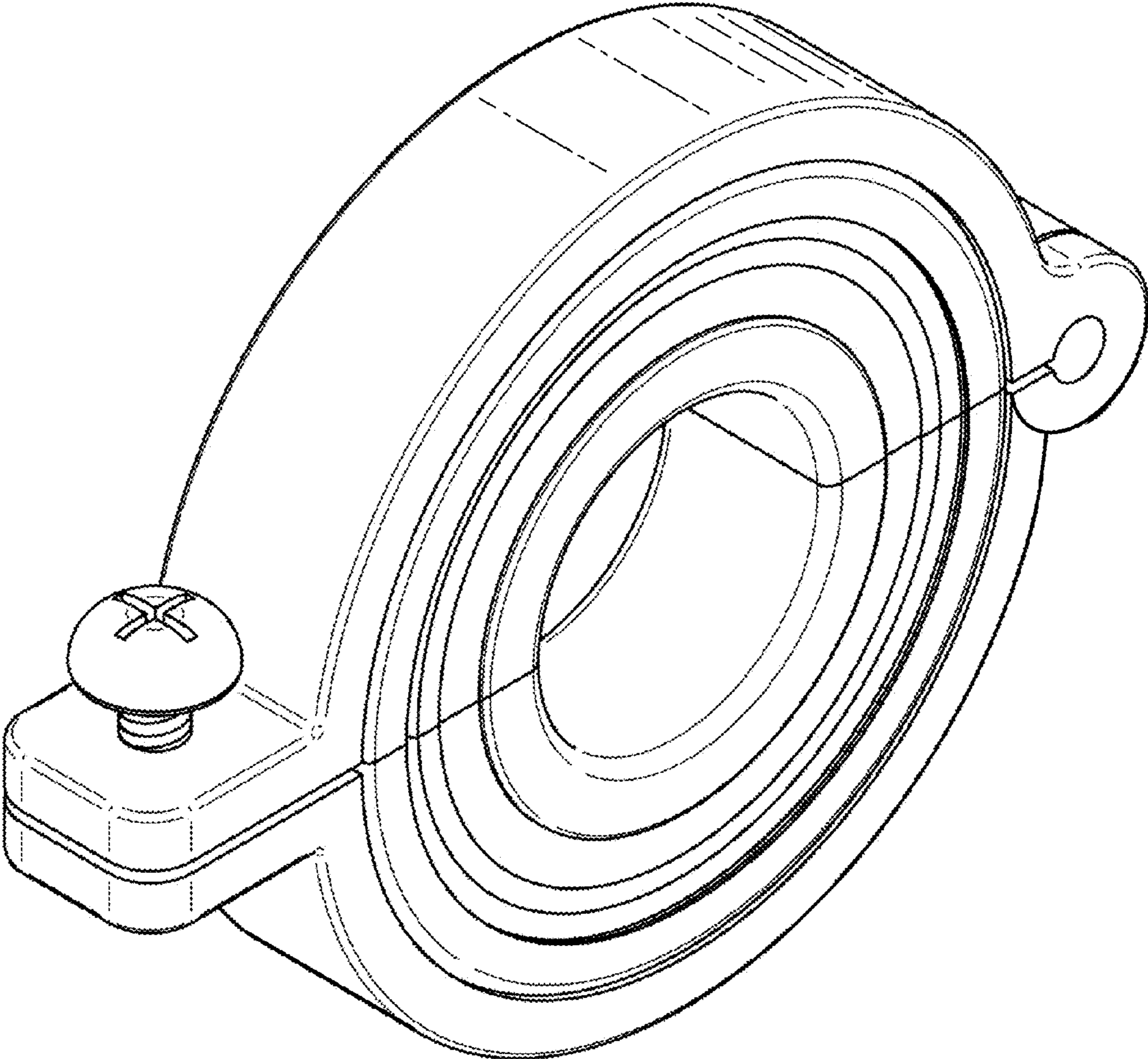


FIG. 1

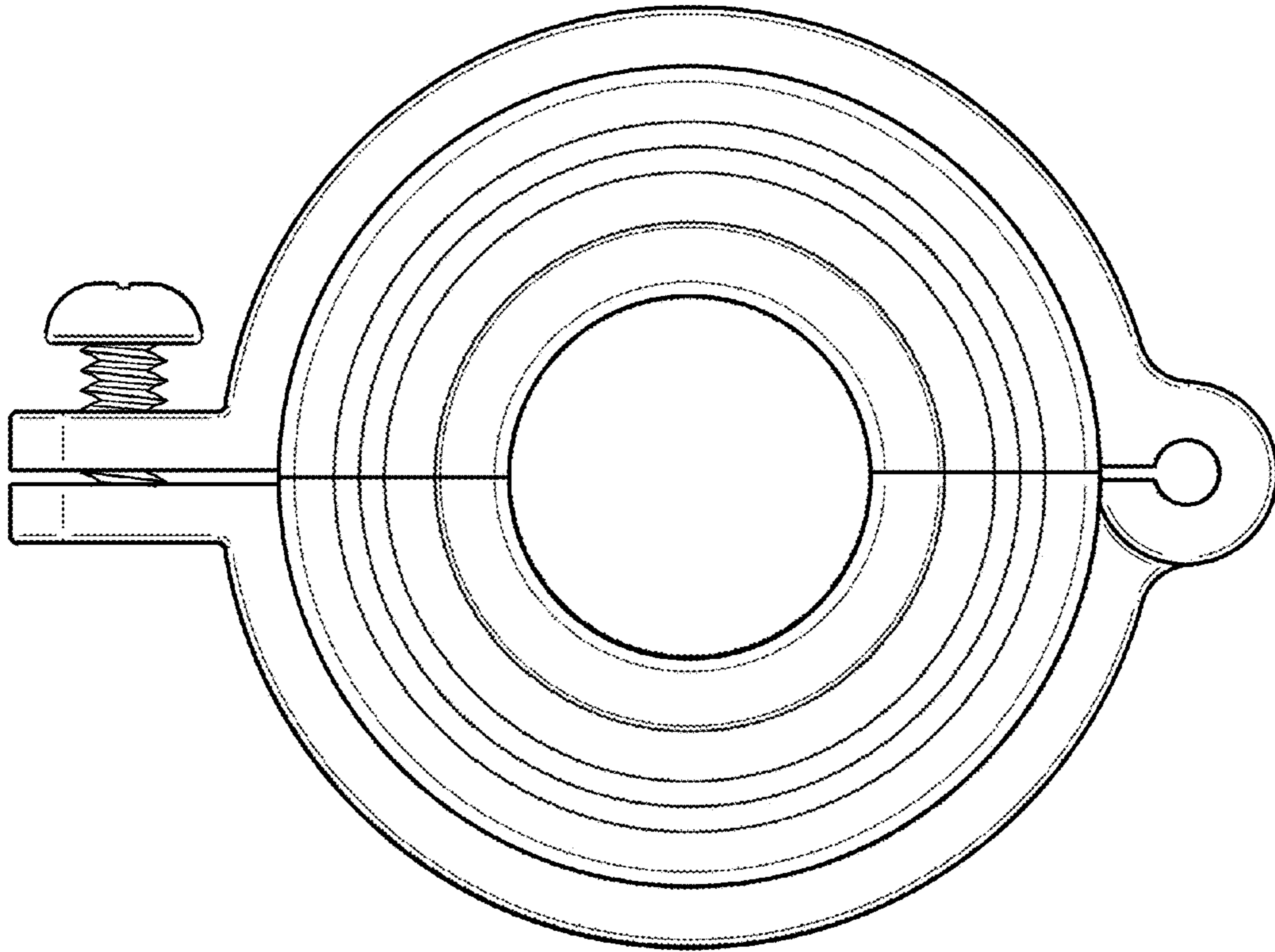


FIG. 2

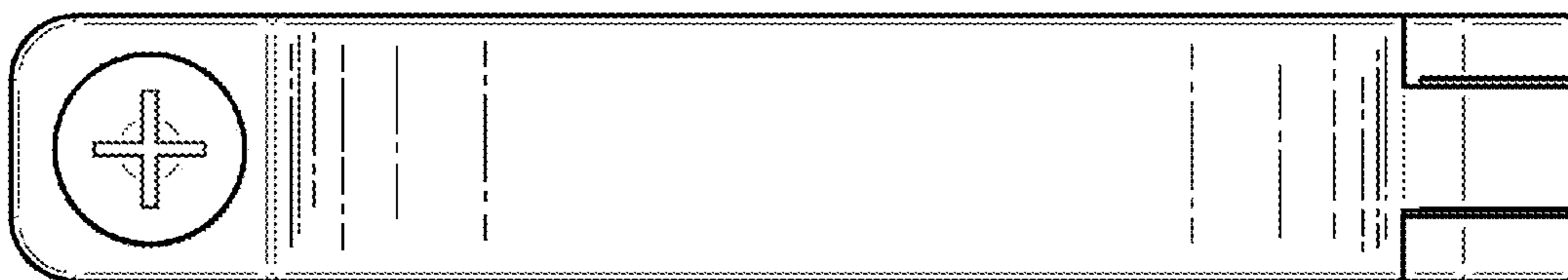


FIG. 3

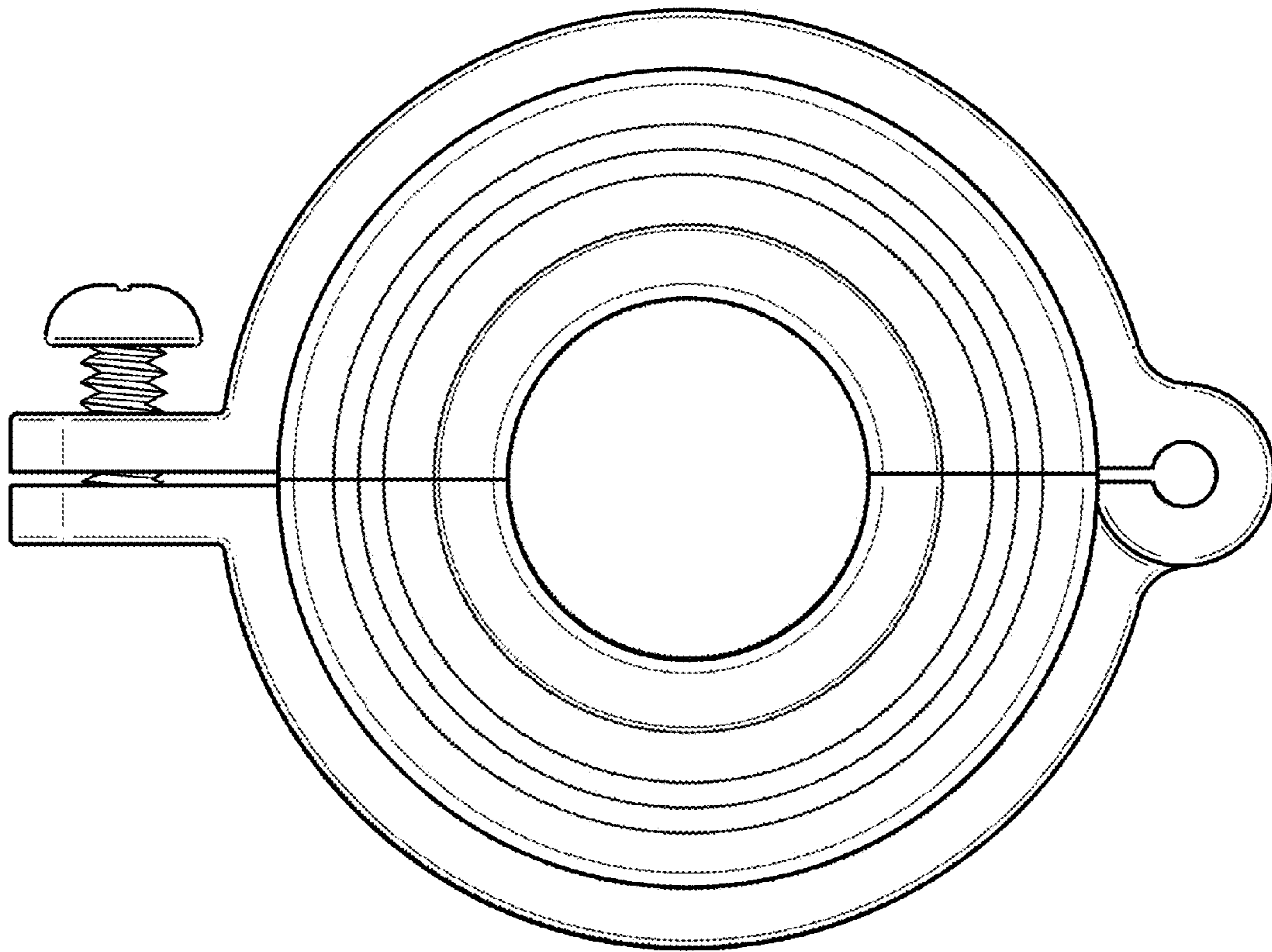


FIG. 4



FIG. 5

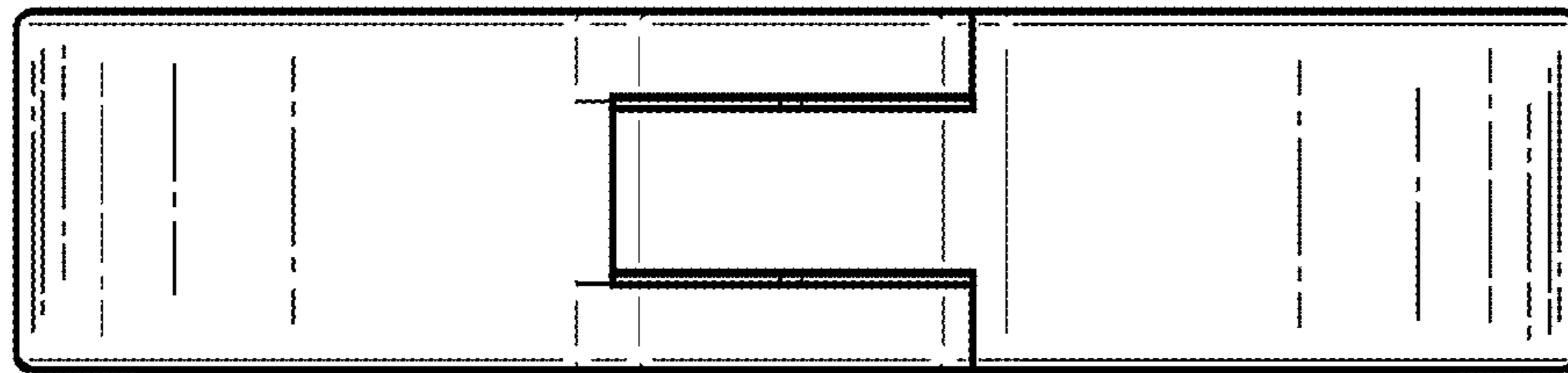


FIG. 6

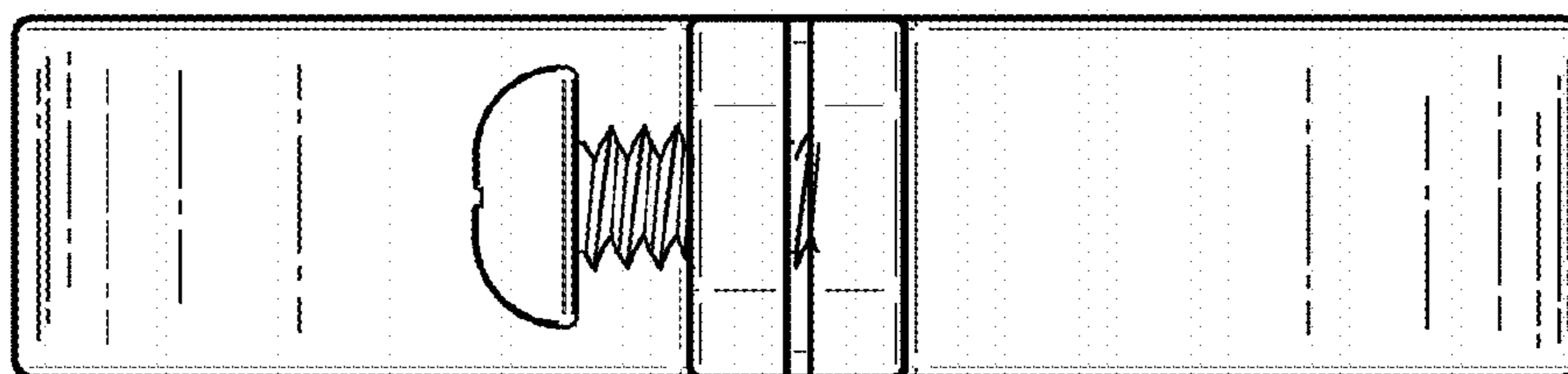


FIG. 7

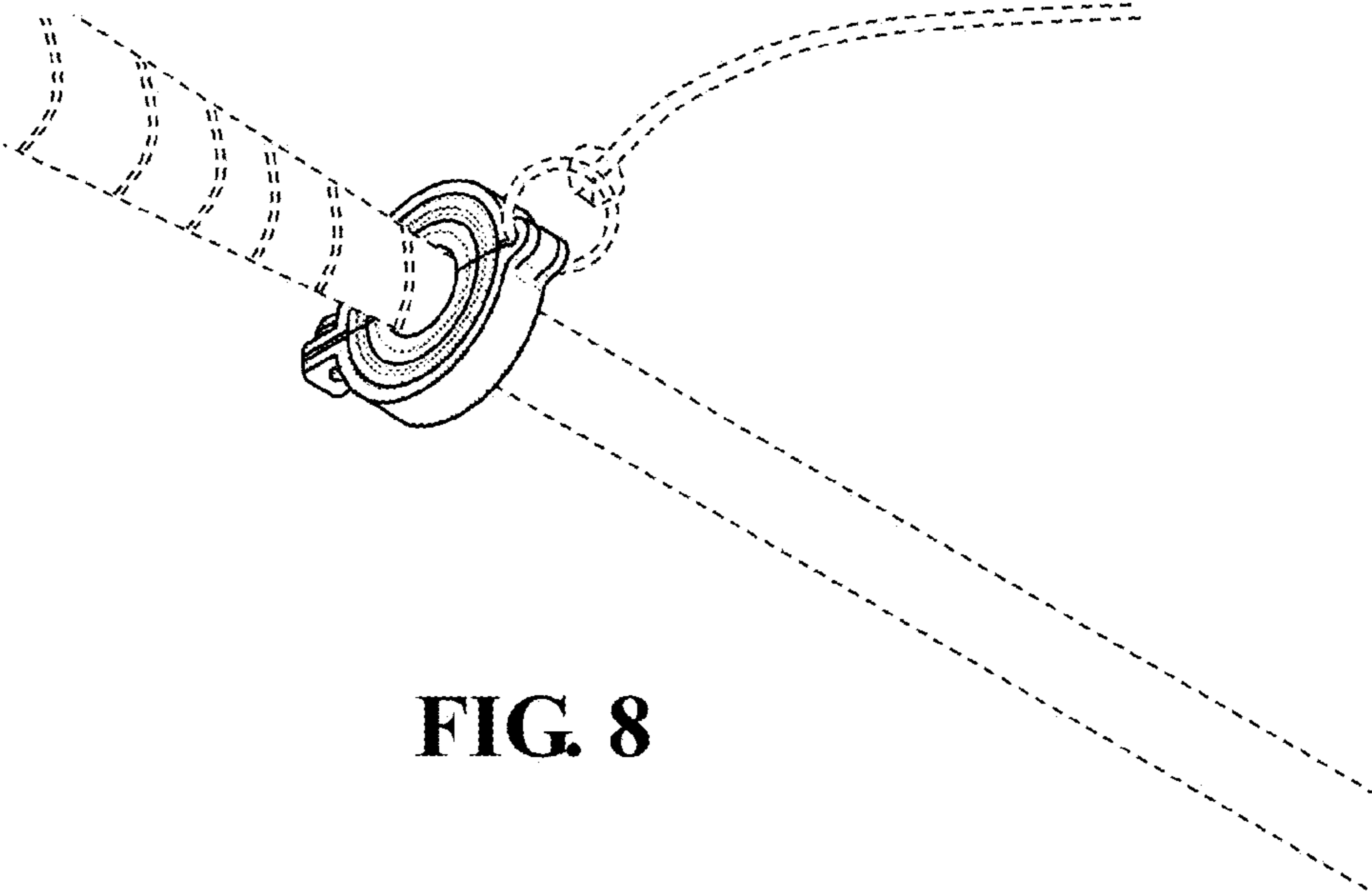


FIG. 8