

US00D769383S

(12) **United States Design Patent**
Abbott

(10) **Patent No.:** **US D769,383 S**

(45) **Date of Patent:** **** Oct. 18, 2016**

(54) **PUTTER HEAD**

(71) Applicant: **CALLAWAY GOLF COMPANY,**
Carlsbad, CA (US)

(72) Inventor: **Craig E. Abbott,** Vista, CA (US)

(73) Assignee: **Callaway Golf Company,** Carlsbad,
CA (US)

(**) Term: **15 Years**

(21) Appl. No.: **29/539,291**

(22) Filed: **Sep. 11, 2015**

(51) **LOC (10) Cl.** **21-02**

(52) **U.S. Cl.**

USPC **D21/743**

(58) **Field of Classification Search**

USPC D21/736-746

CPC A63B 53/065; A63B 53/0487; A63B 53/00;

A63B 53/04; A63B 53/007

See application file for complete search history.

(56) **References Cited**

U.S. PATENT DOCUMENTS

D207,227 S *	3/1967	Solheim	D21/739
D239,951 S *	5/1976	Carrier	D21/742
D389,207 S *	1/1998	Cameron	D21/742
D426,599 S *	6/2000	Morgan	D21/736
D443,906 S *	6/2001	Hettinger	D21/743
D485,320 S *	1/2004	Breier	D21/736
D498,276 S *	11/2004	Schweigert	D21/743
D521,580 S *	5/2006	Burrows	D21/736
D535,712 S *	1/2007	Toroussian	D21/749

D548,294 S *	8/2007	Nguyen	D21/736
D552,196 S *	10/2007	Hueber	D21/742
D562,921 S *	2/2008	Nguyen	D21/742
D583,887 S *	12/2008	Cameron	D21/743
D590,462 S *	4/2009	Hettinger	D21/743
D638,892 S *	5/2011	Hettinger	D21/743
D643,893 S *	8/2011	Rollinson	D21/742
D648,407 S *	11/2011	Teramoto	D21/743
D650,456 S *	12/2011	Tang	D21/743
D684,643 S *	6/2013	Kim	D21/744
D689,574 S *	9/2013	Rollinson	D21/743
D733,817 S *	7/2015	Jorgensen	D21/736

* cited by examiner

Primary Examiner — Mitchell Siegel

(74) *Attorney, Agent, or Firm* — Rebecca Hanovice;
Michael Catania; Sonia Lari

(57) **CLAIM**

The ornamental design for a putter head, as shown and described.

DESCRIPTION

FIG. 1 is a rear perspective view of a the putter head as claimed herein;

FIG. 2 is a rear elevational view thereof;

FIG. 3 is a front elevational view thereof;

FIG. 4 is a right side elevational view thereof;

FIG. 5 is a left side elevational view thereof;

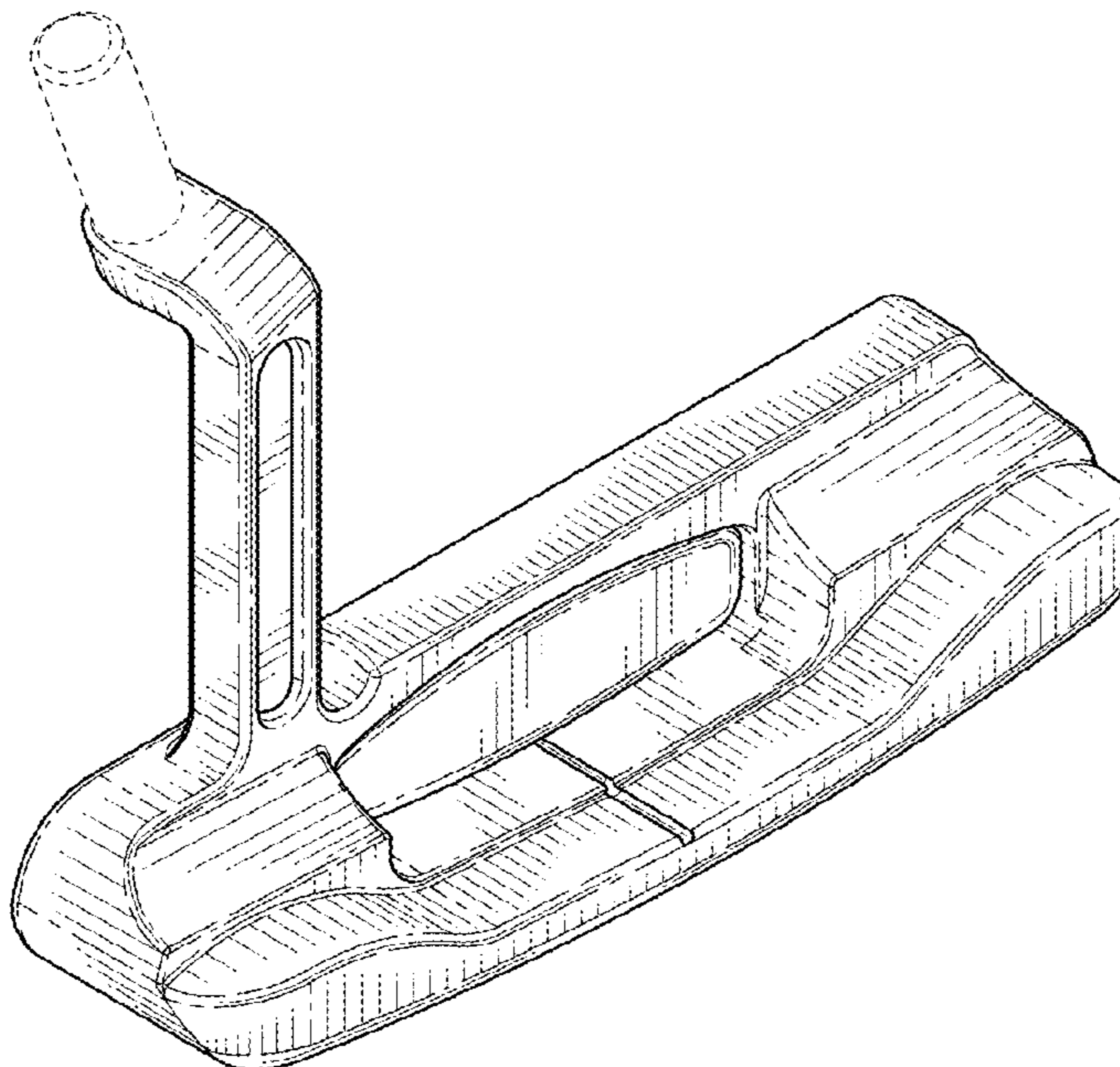
FIG. 6 is a top plan view thereof;

FIG. 7 is a bottom plan view thereof; and,

FIG. 8 is a cross-sectional view of the view shown in FIG. 2 along lines 8-8.

The broken lines are included for the purpose of illustration and form no part of the claimed design.

1 Claim, 4 Drawing Sheets



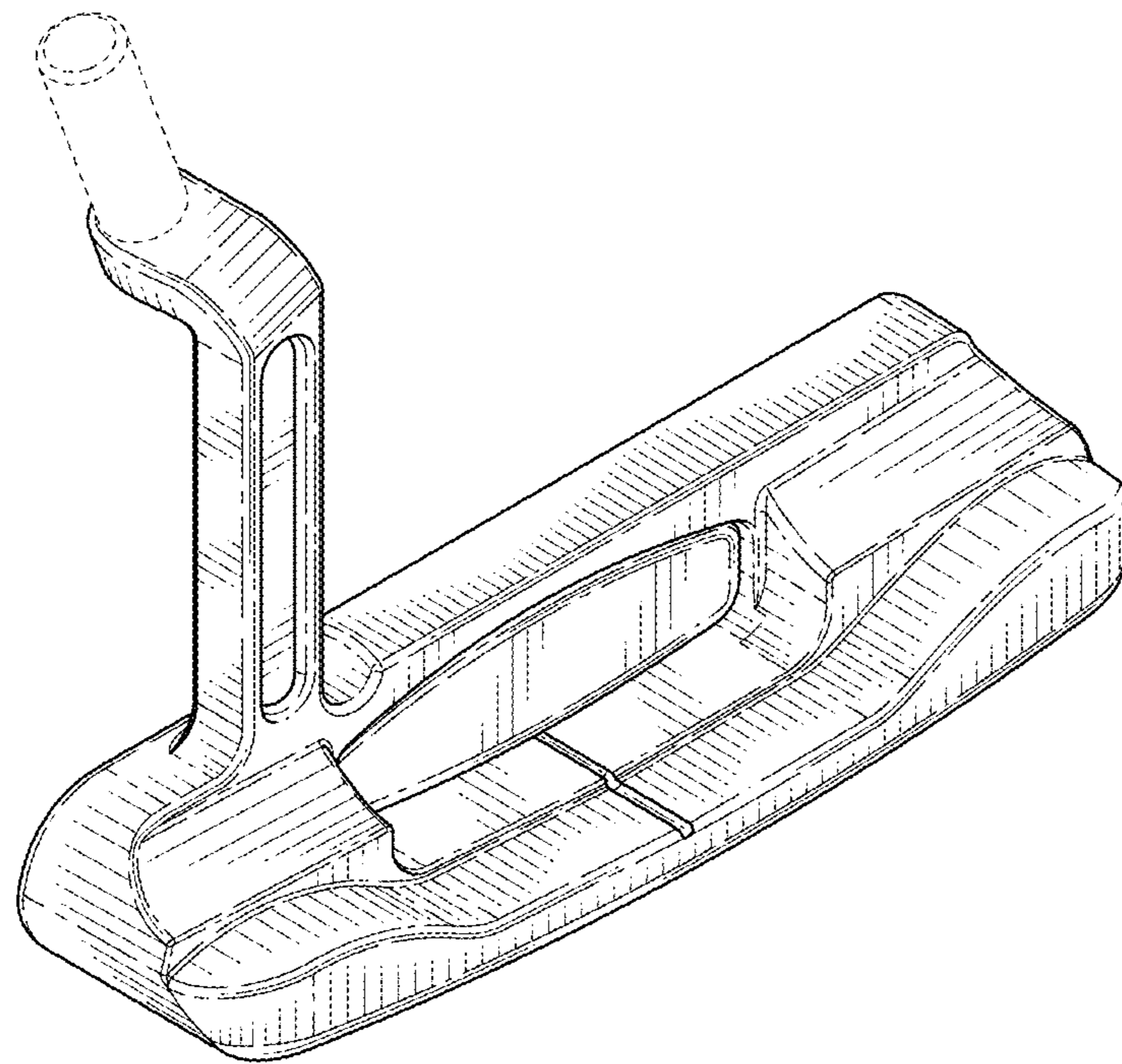


FIG. 1

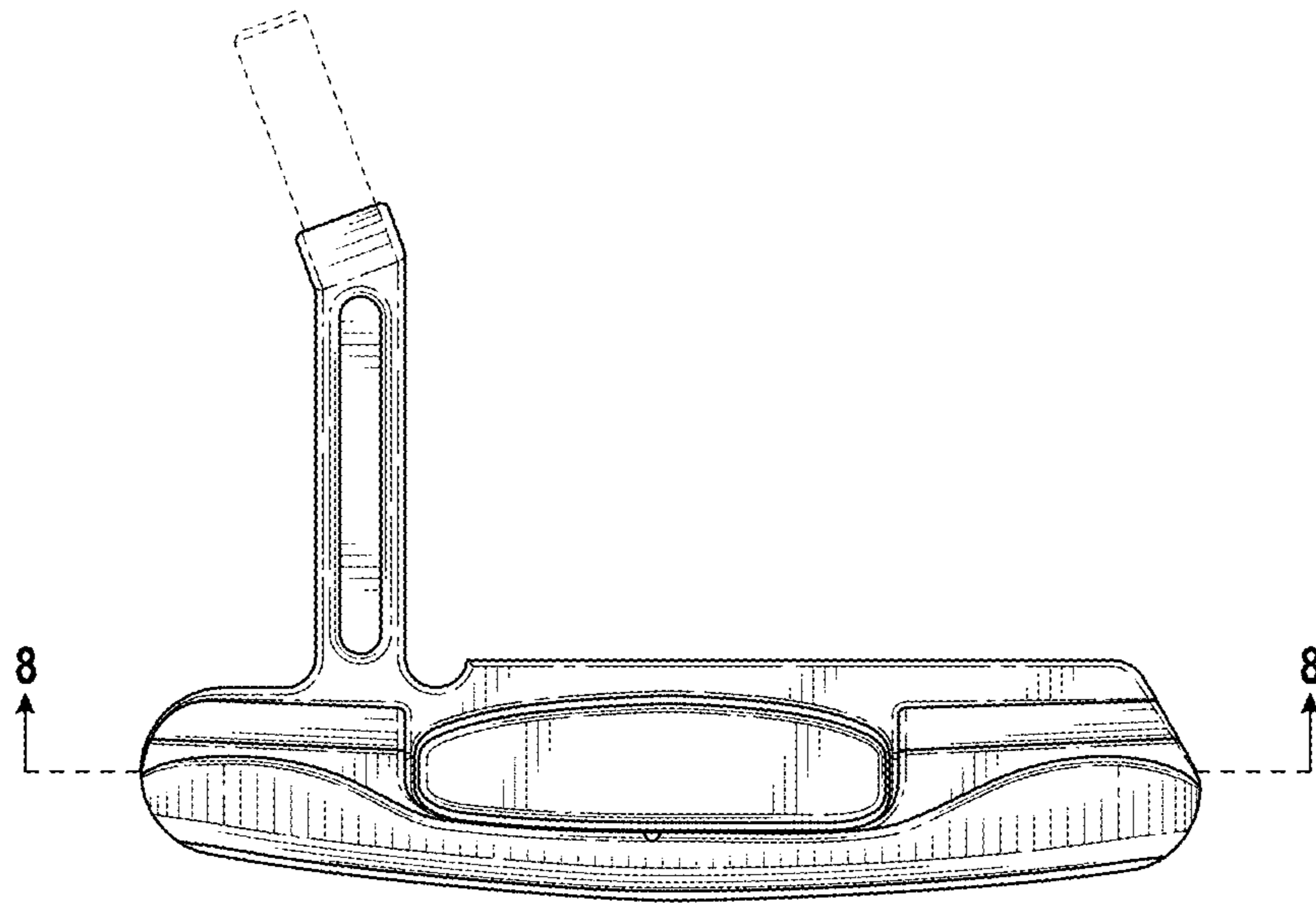


FIG. 2

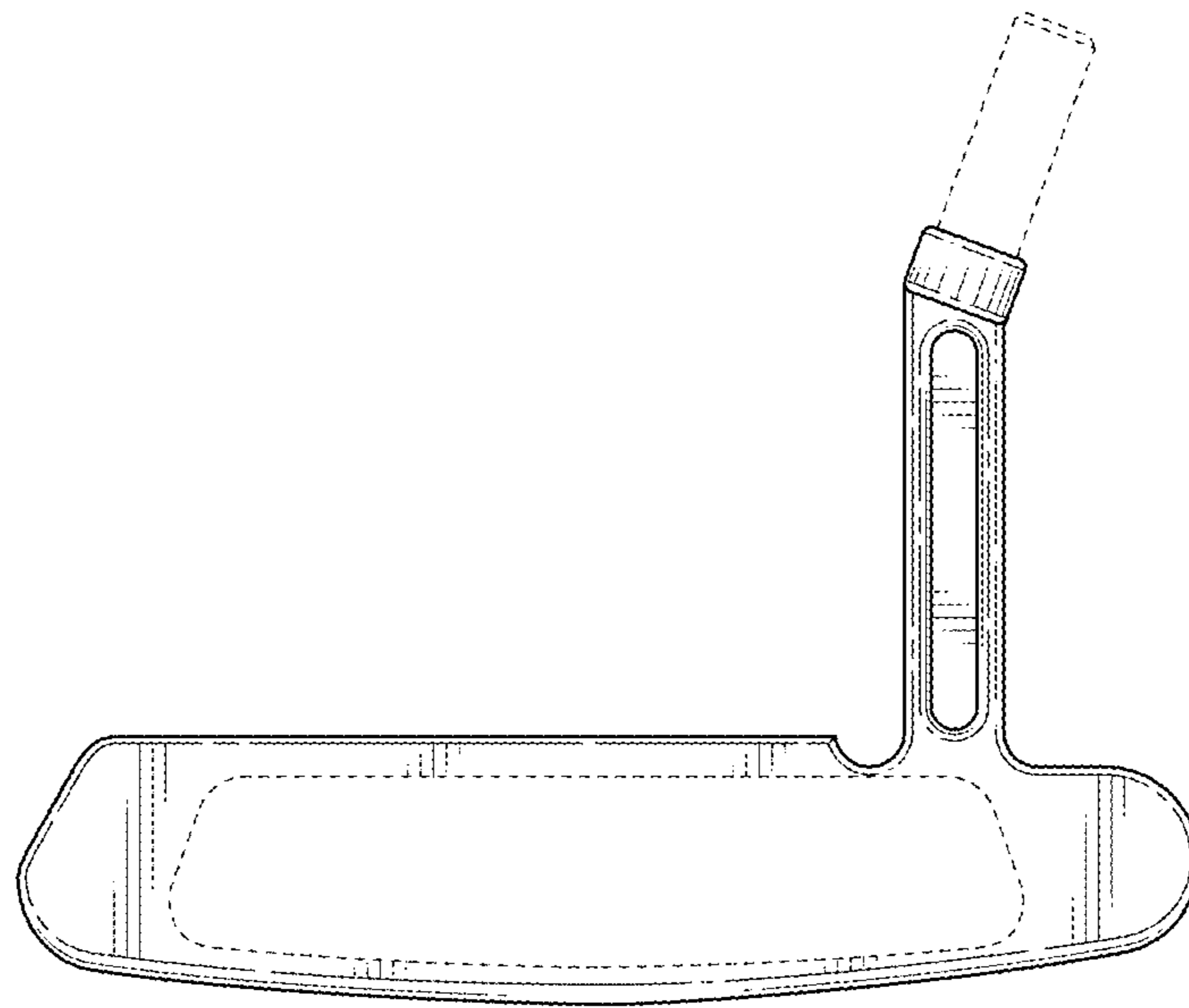


FIG. 3

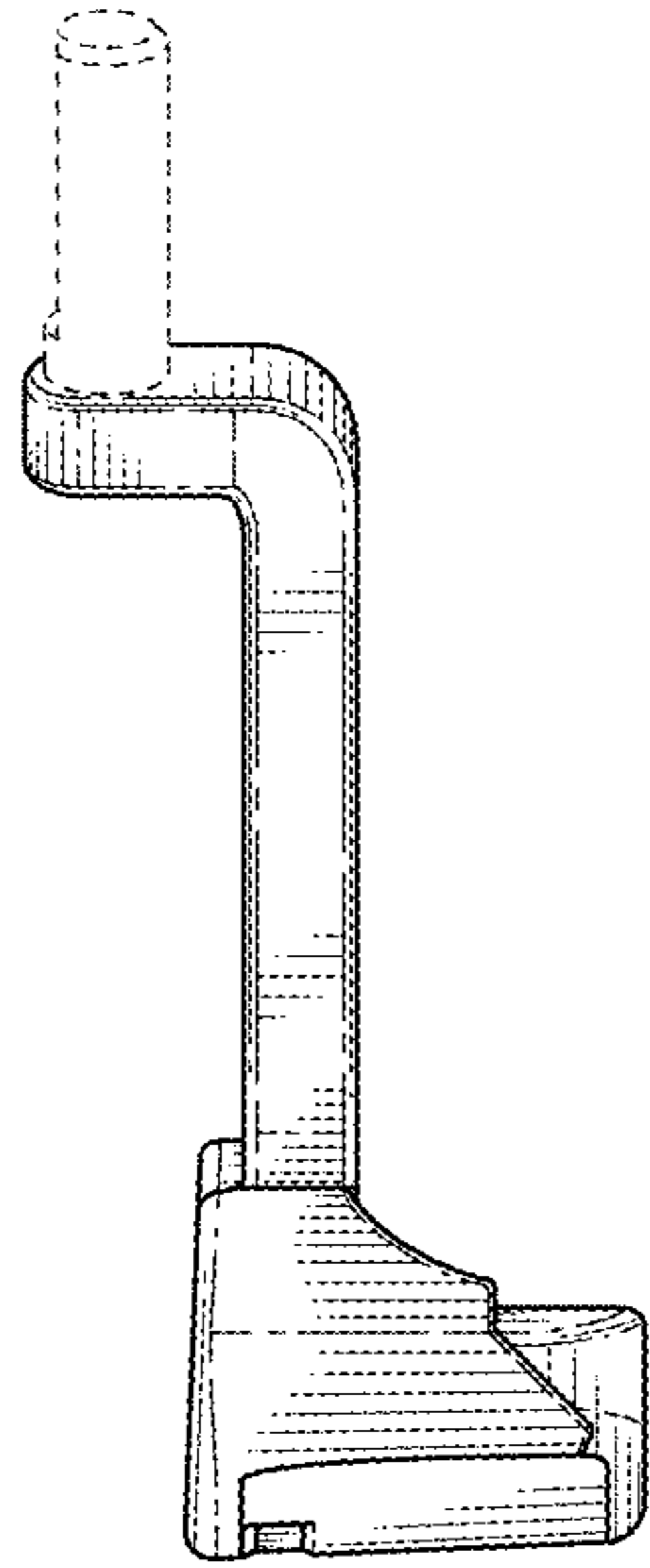


FIG. 4

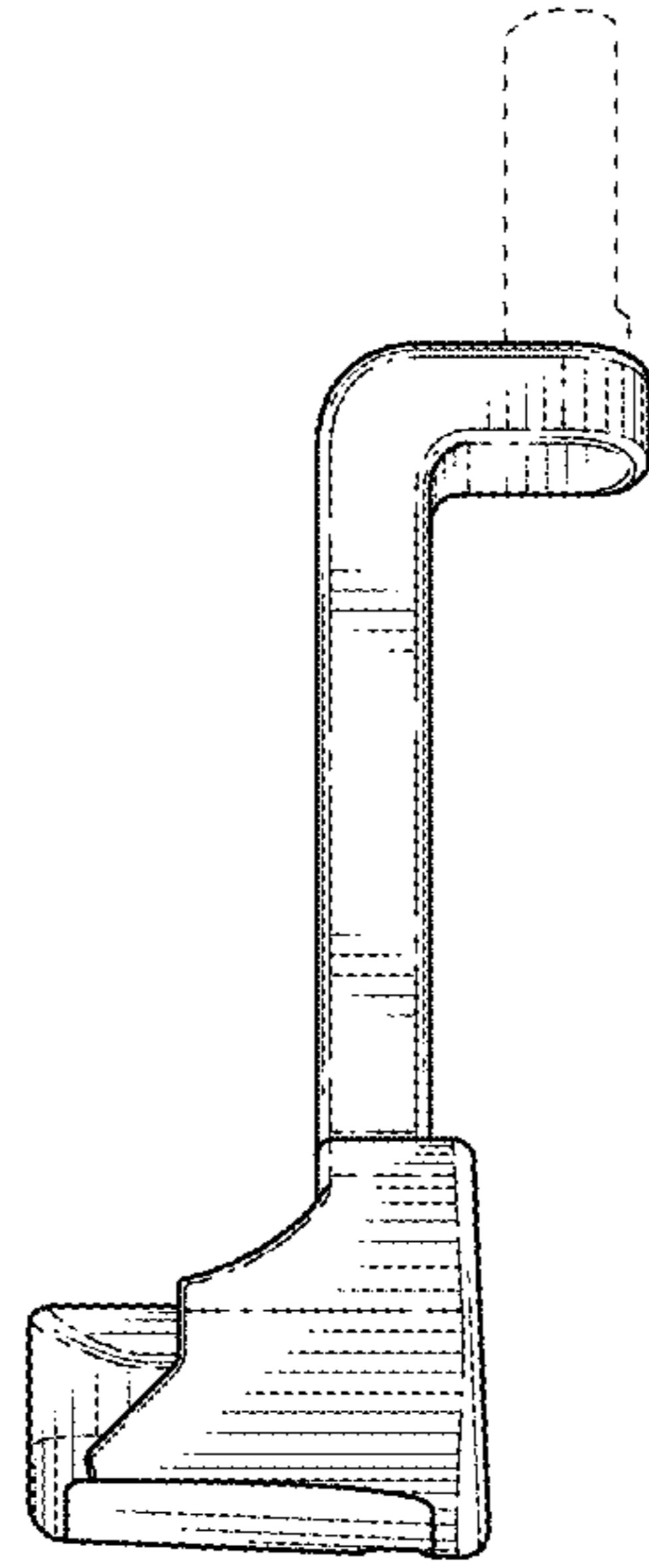


FIG. 5

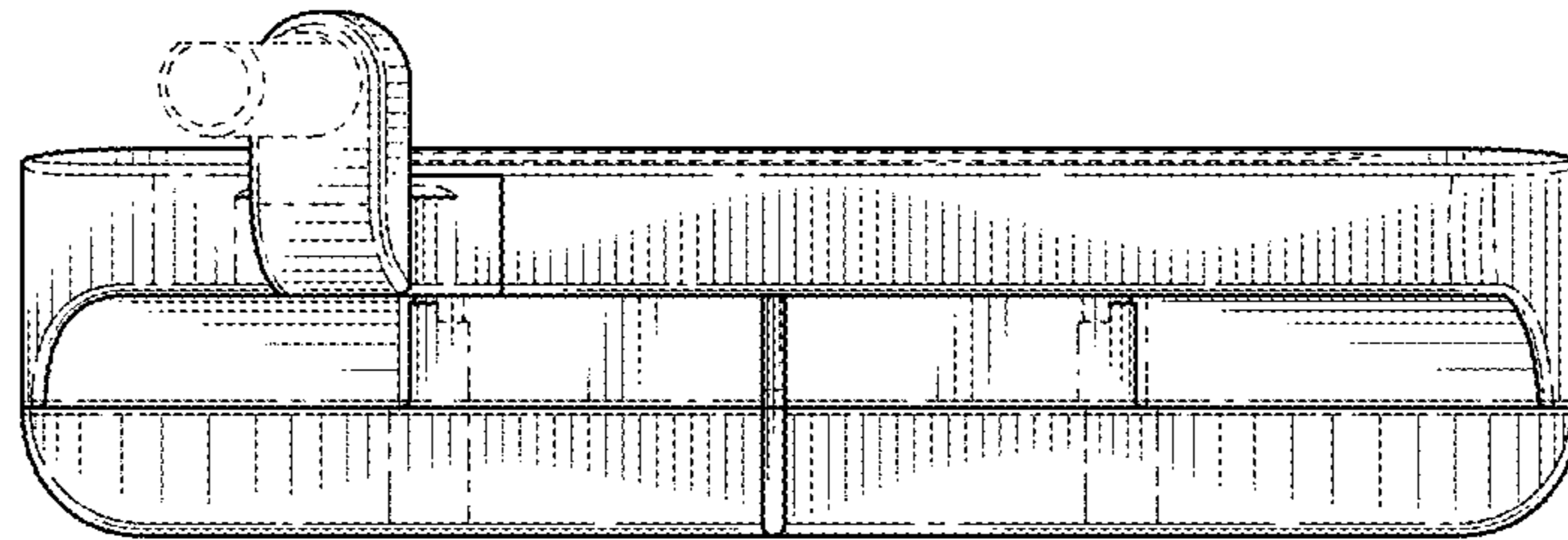


FIG. 6

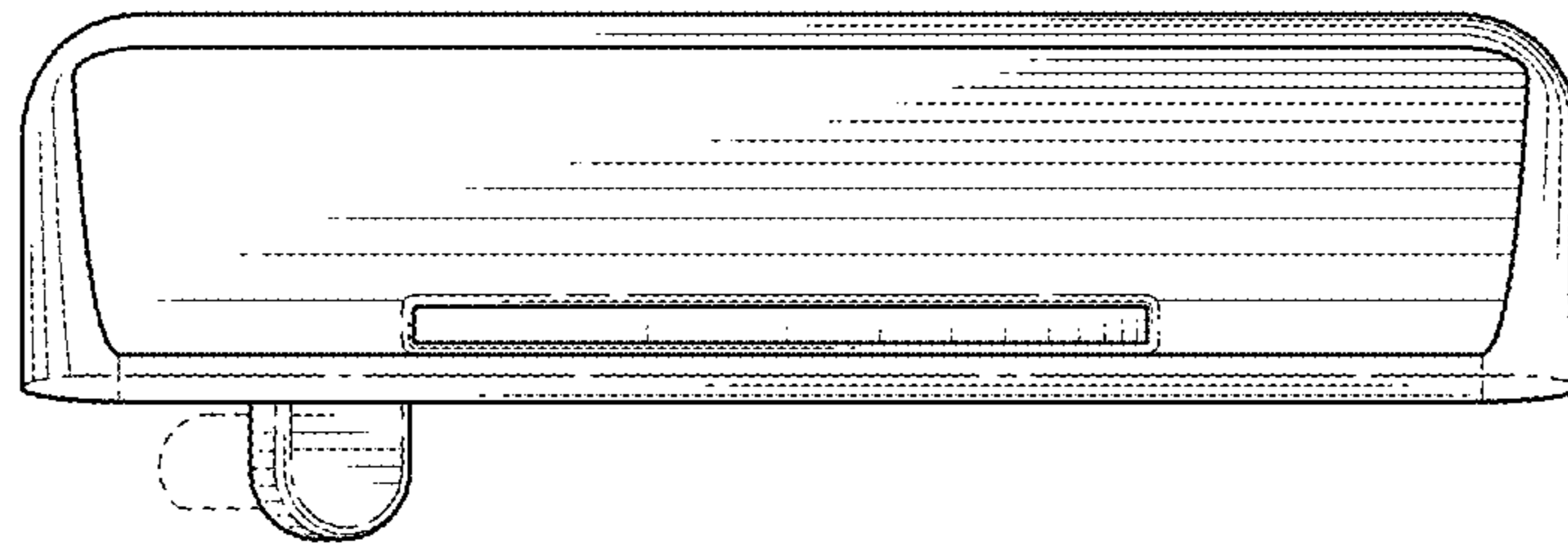


FIG. 7

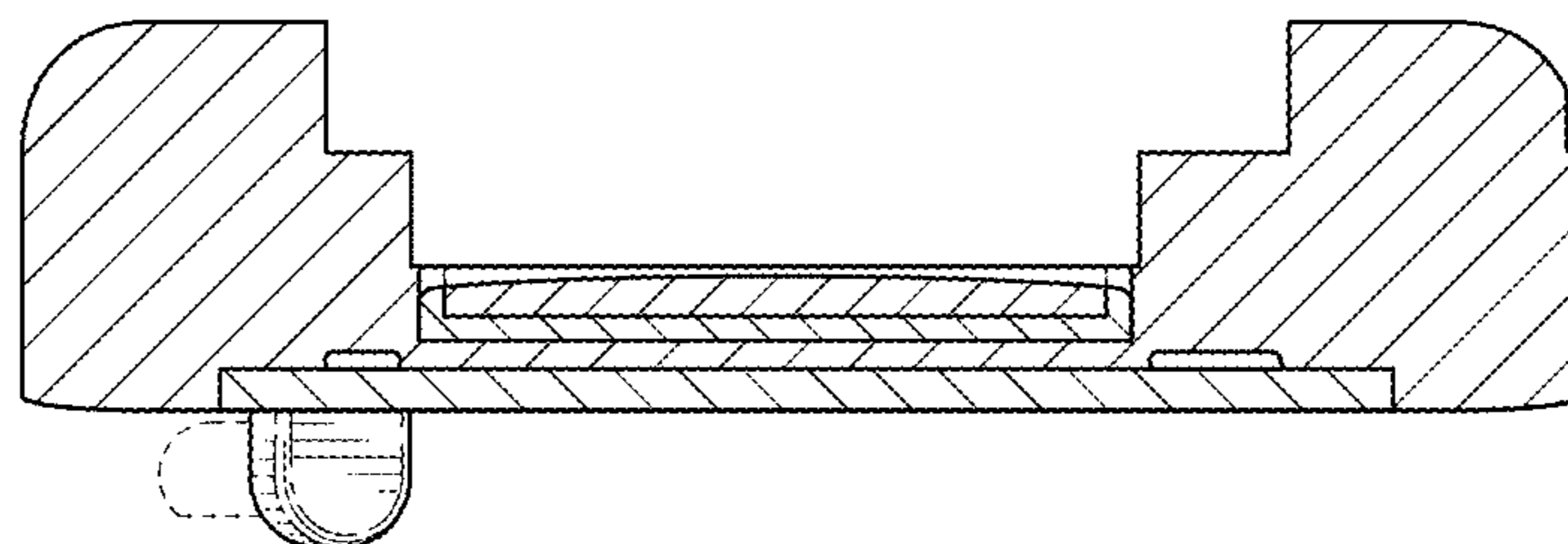


FIG. 8