



US00D769377S

(12) **United States Design Patent**
Wolff

(10) **Patent No.:** **US D769,377 S**
(45) **Date of Patent:** **** Oct. 18, 2016**

- (54) **DEVELOPMENTAL BALL TOY**
- (71) Applicant: **A Diva Difference, LLC**, Loveland, CO (US)
- (72) Inventor: **Alexandra Wolff**, Loveland, CO (US)
- (73) Assignee: **A Diva Difference, LLC**, Loveland, CO (US)
- (**) Term: **15 Years**
- (21) Appl. No.: **29/534,887**
- (22) Filed: **Jul. 31, 2015**
- (51) **LOC (10) Cl.** **21-01**
- (52) **U.S. Cl.**
USPC **D21/398; D21/707; D21/468**
- (58) **Field of Classification Search**
USPC D21/398, 406, 466, 468, 498, 707-714;
D24/194, 195; D30/160; D11/86, 121;
446/117, 124, 125, 127, 267, 391, 396,
446/431, 486, 489, 490; 473/569, 595, 596,
473/612, 613; 119/707-711
CPC A63B 37/0001; A63B 37/0011; A63B
37/02; A63B 37/06; A63B 37/08; A63B
37/10; A63B 37/12; A63B 37/14; A63B
2037/082; A63B 2037/085; A63B 39/00;
A63B 39/06; A63B 39/08; A63B 2039/003;
A63B 41/00; A63B 43/00; A63B 43/002;
A63B 43/007; A63B 43/008; A63B 43/02;
A63B 43/04; A63B 2043/001; A63B
69/3688; A01K 15/025; A01K 15/026;
A63H 3/06; A63H 5/00; A63H 23/00;
A63H 23/10; A63H 23/12; A63H 33/006;
A63H 33/04; A63H 33/18; A61J 17/02
See application file for complete search history.

(56) **References Cited**

U.S. PATENT DOCUMENTS

- 530,116 A * 12/1894 Murphy A63B 43/00
473/571
- 1,150,761 A * 8/1915 Hartman A63F 7/044
273/112
- 2,135,210 A * 11/1938 Farrar A63B 37/0004
473/383

- D190,913 S * 7/1961 Burnbaum D11/121
- 4,219,959 A * 9/1980 Fleischer A63H 33/00
428/15
- 4,991,838 A * 2/1991 Groves A63B 43/008
40/327
- D333,937 S * 3/1993 Prosser D30/160
- 5,460,368 A * 10/1995 Pearson A63B 43/002
473/597
- D367,504 S * 2/1996 Barzani D21/498
- D370,243 S * 5/1996 Thompson D21/707
- D385,002 S * 10/1997 Schloss D21/707
- 5,766,104 A * 6/1998 Albarelli, Jr. A63B 43/00
473/567
- D400,620 S * 11/1998 Barton, Jr. D21/398
- D420,403 S * 2/2000 Bart D21/398
- D453,240 S * 1/2002 Simon D30/160
- 6,354,970 B1 * 3/2002 Reinke A63B 37/00
473/600
- D511,029 S * 10/2005 Willinger D21/713
- D580,112 S * 11/2008 Stiles D21/713

(Continued)

FOREIGN PATENT DOCUMENTS

- CN 302632078 * 11/2013
- FR 2739786 A1 * 4/1997
- WO D048486-001 * 9/1999

Primary Examiner — Catherine Tuttle

(74) *Attorney, Agent, or Firm* — Mestechkin Law Group
PC

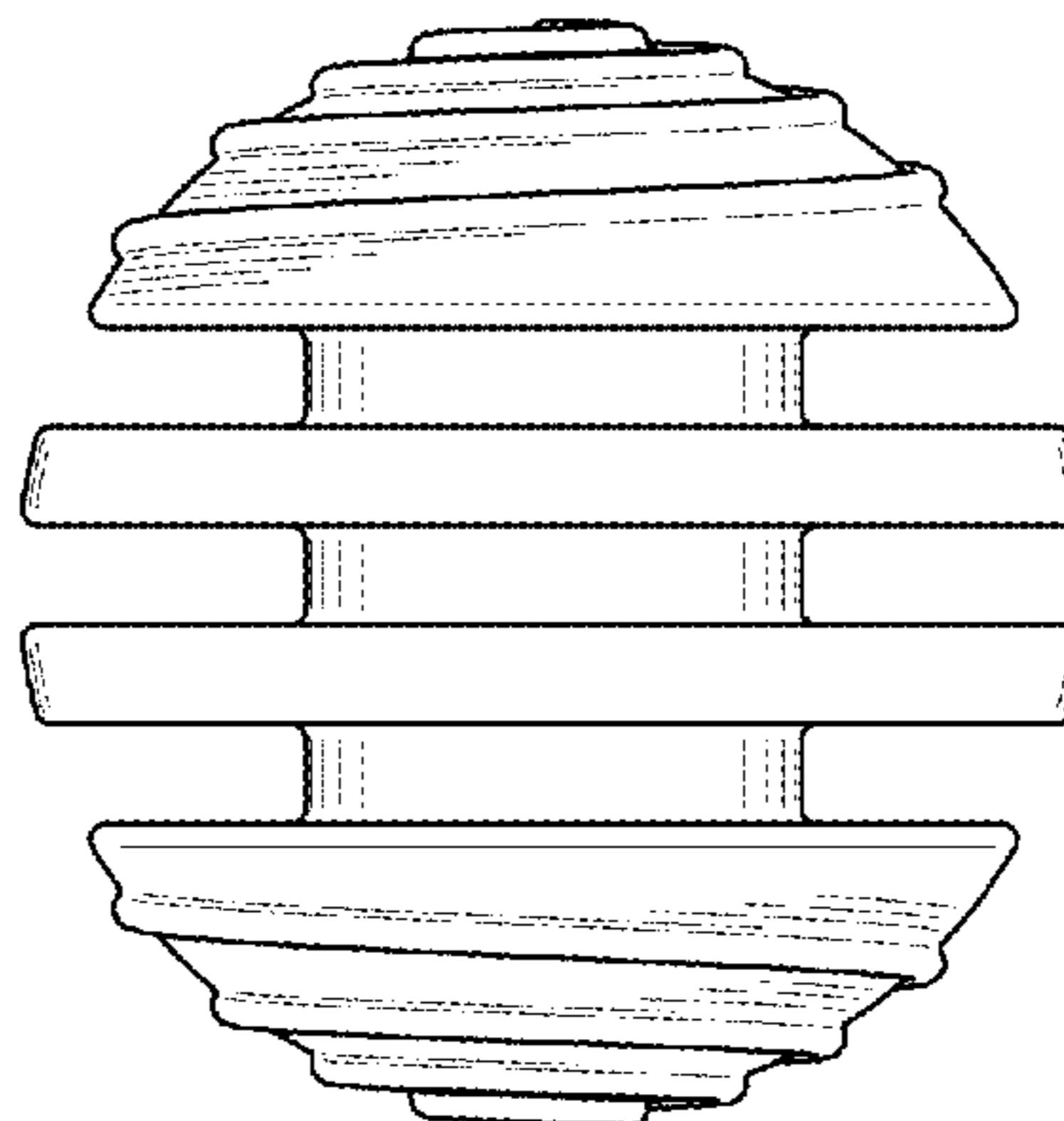
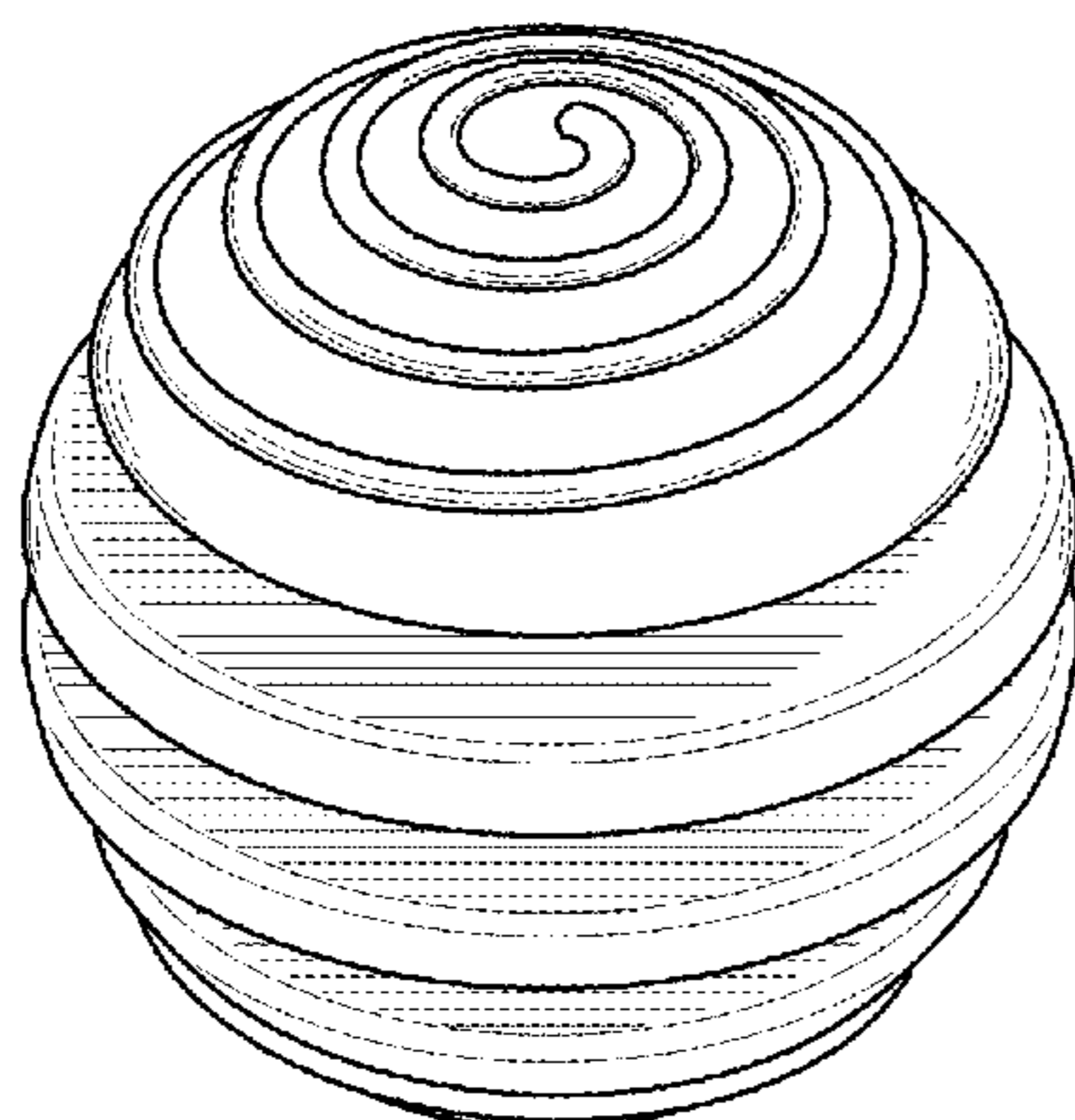
(57) **CLAIM**

The ornamental design for the developmental ball toy, as shown and described.

DESCRIPTION

FIG. 1 is a top front isometric view of the developmental ball toy embodying my new design;
 FIG. 2 is a front view thereof;
 FIG. 3 is a rear view thereof;
 FIG. 4 is a right view thereof;
 FIG. 5 is a left view thereof;
 FIG. 6 is a top view thereof; and,
 FIG. 7 is a bottom view thereof.

1 Claim, 3 Drawing Sheets



US D769,377 S

Page 2

(56)

References Cited

U.S. PATENT DOCUMENTS

D705,365 S * 5/2014 Chen D21/466
9,017,184 B1 * 4/2015 Johnson A63B 37/0045
473/200
D748,871 S * 2/2016 Setser D30/160

2009/0203460 A1* 8/2009 Clark A63B 69/3685
473/236
2013/0165270 A1* 6/2013 Alan A63B 37/0005
473/378
2014/0318472 A1* 10/2014 Day A01K 15/025
119/707

* cited by examiner

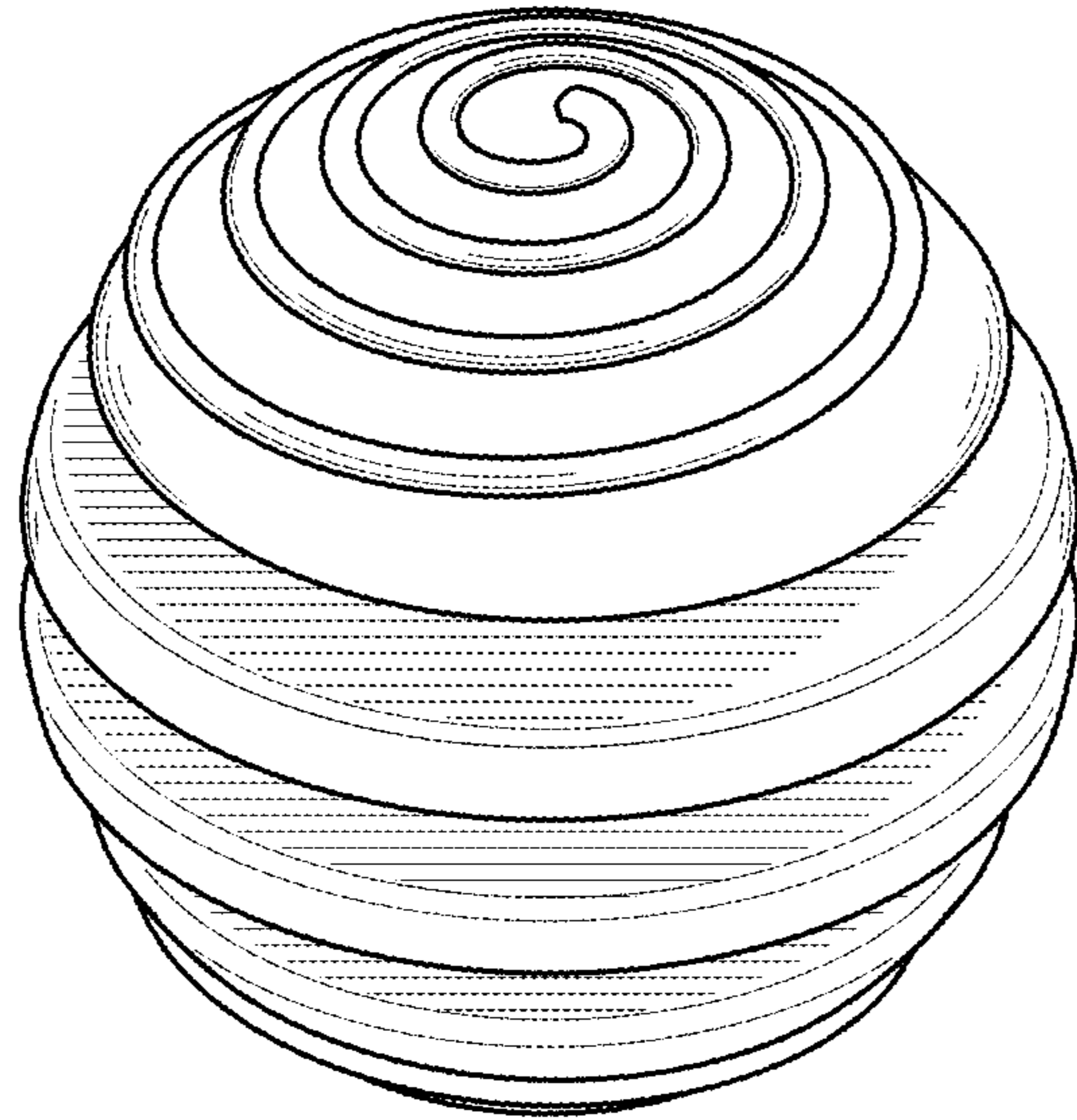


FIG. 1

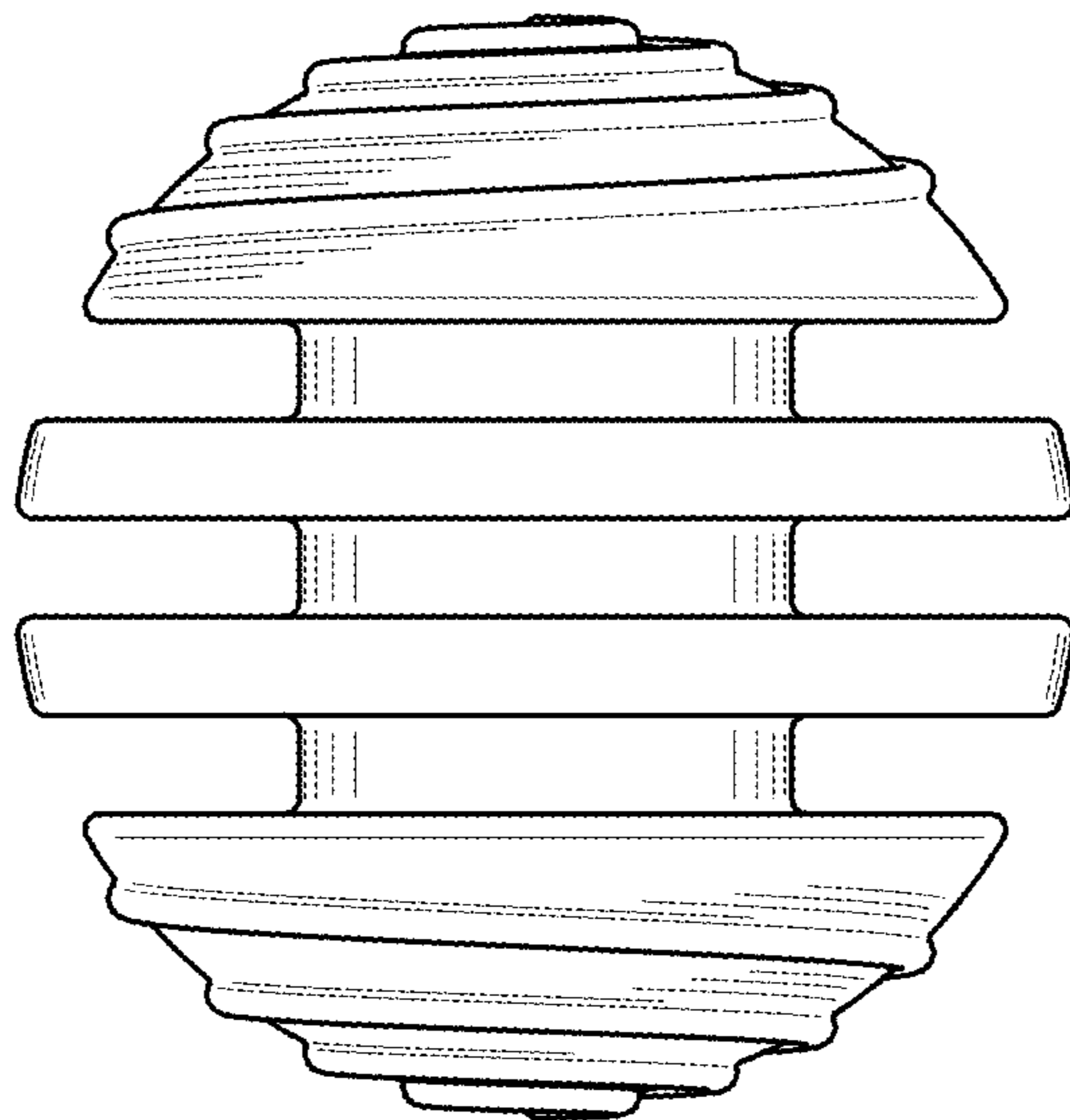


FIG. 2

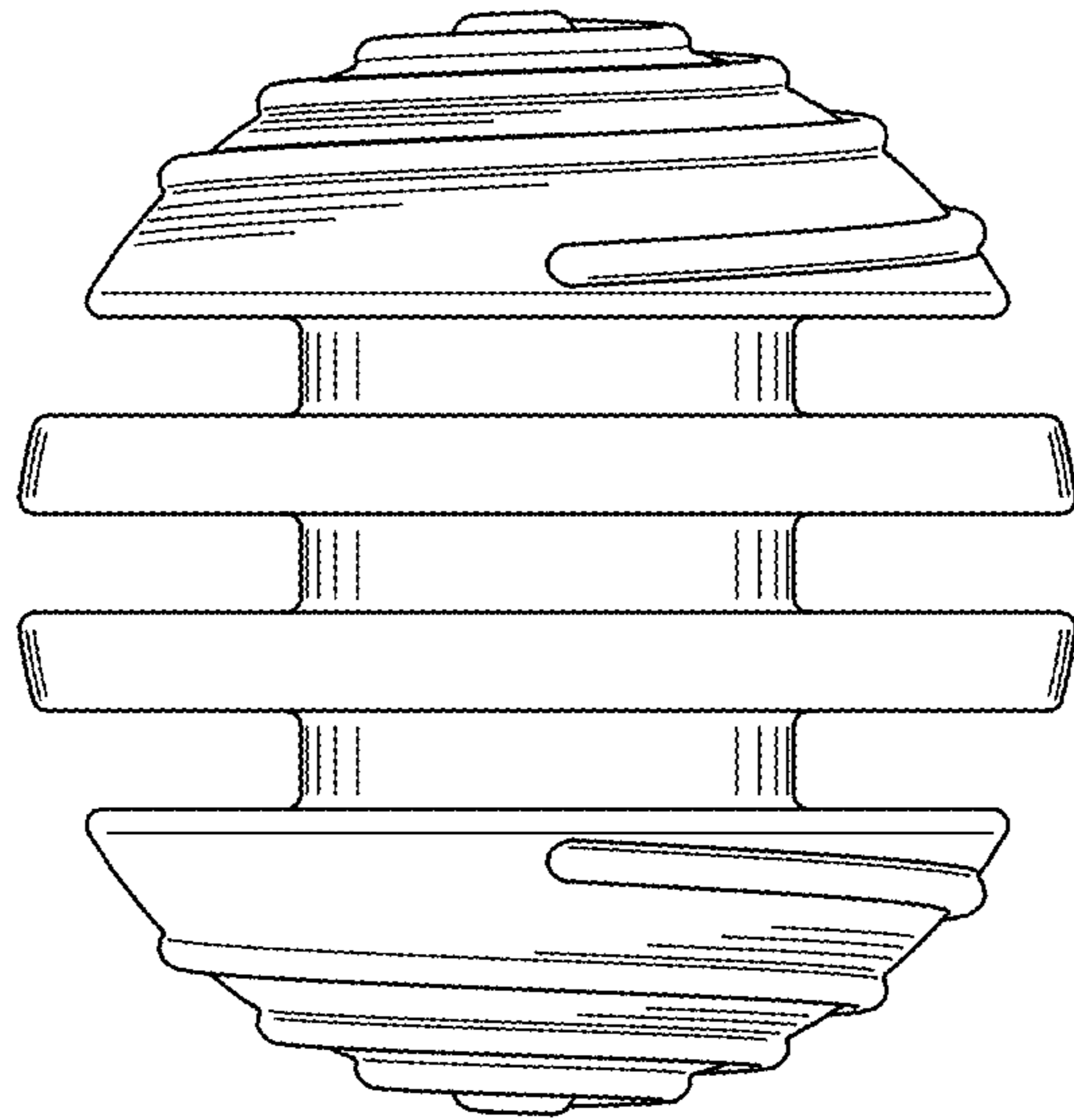


FIG. 3

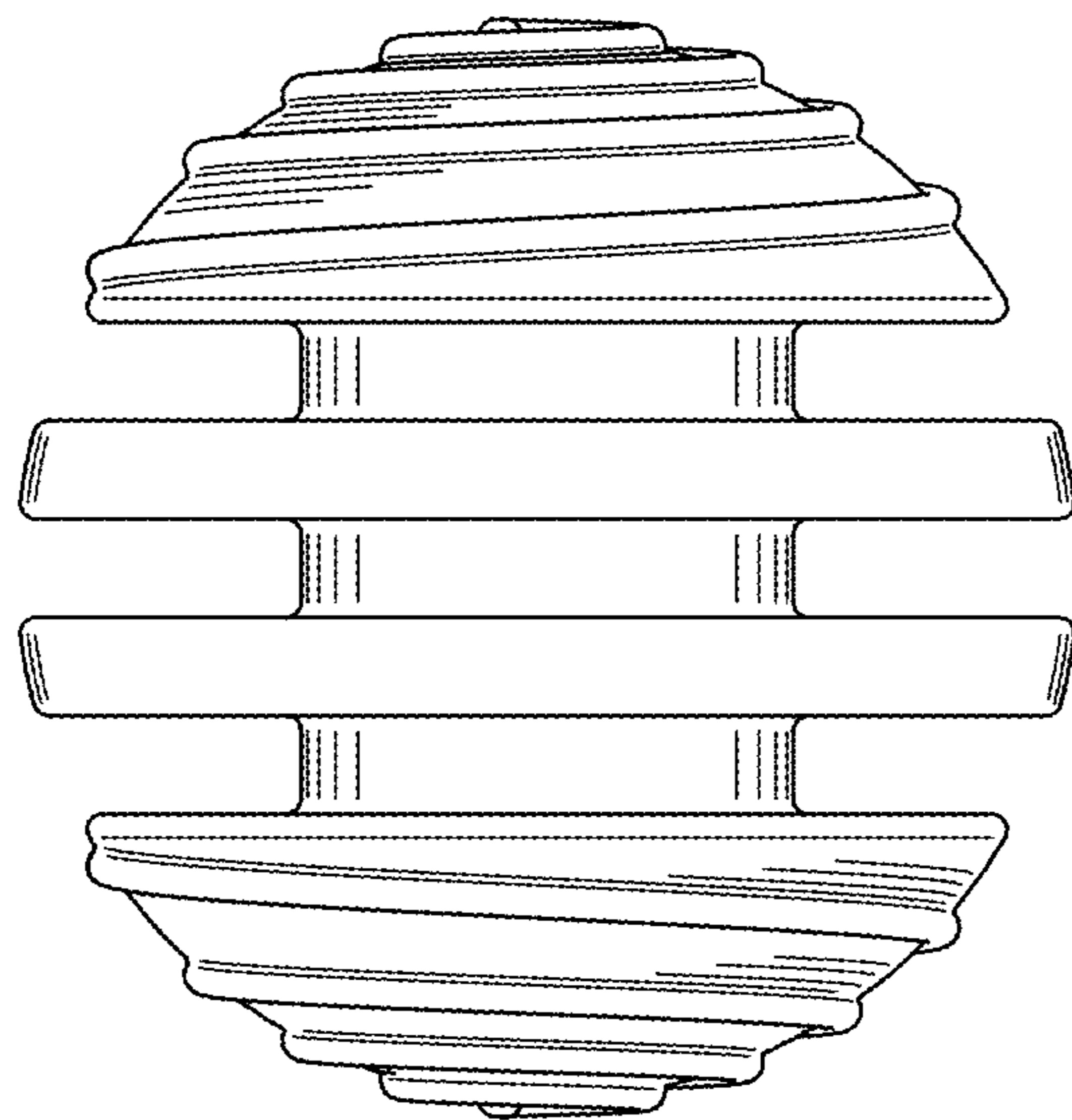


FIG. 4

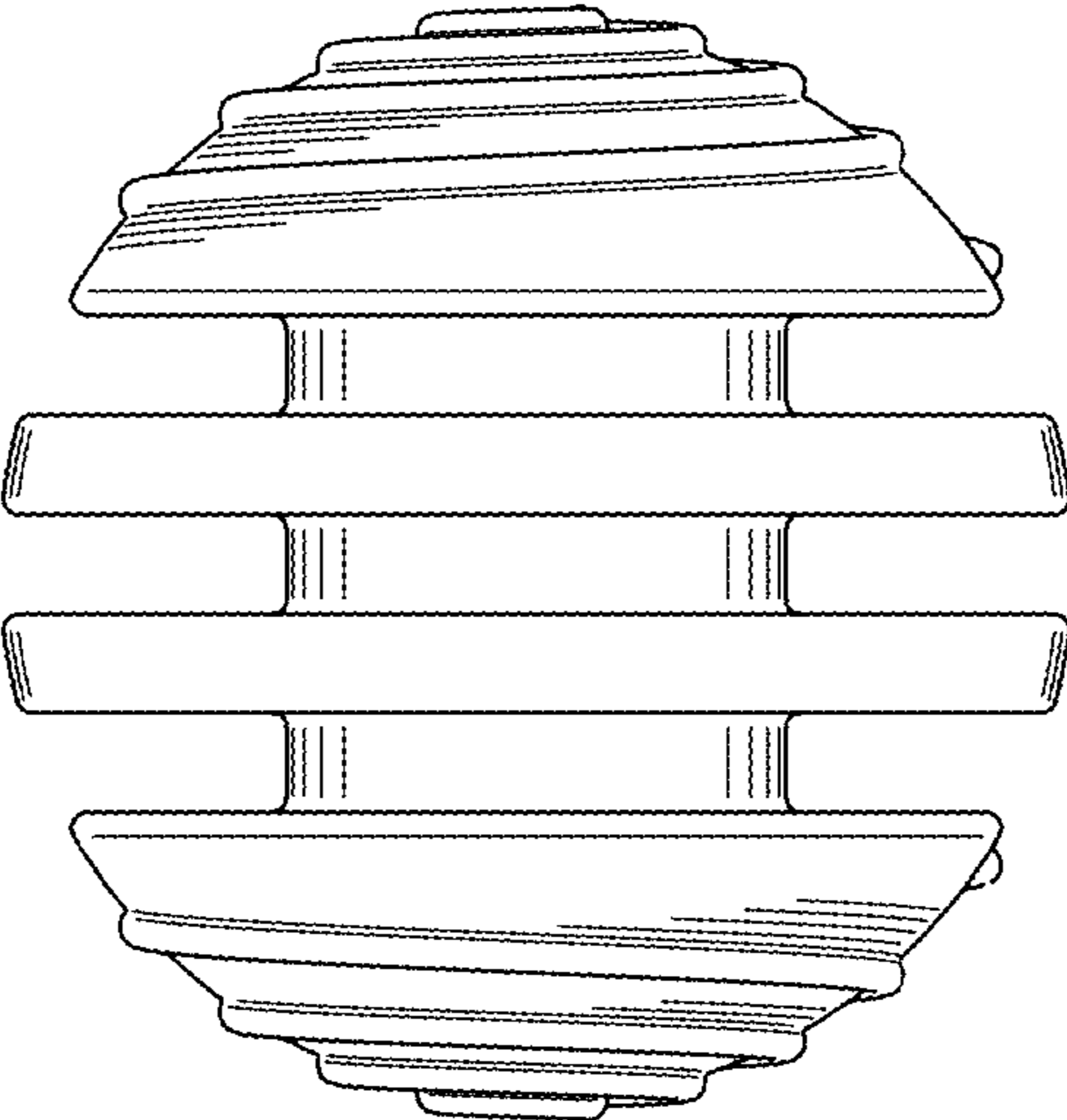


FIG. 5

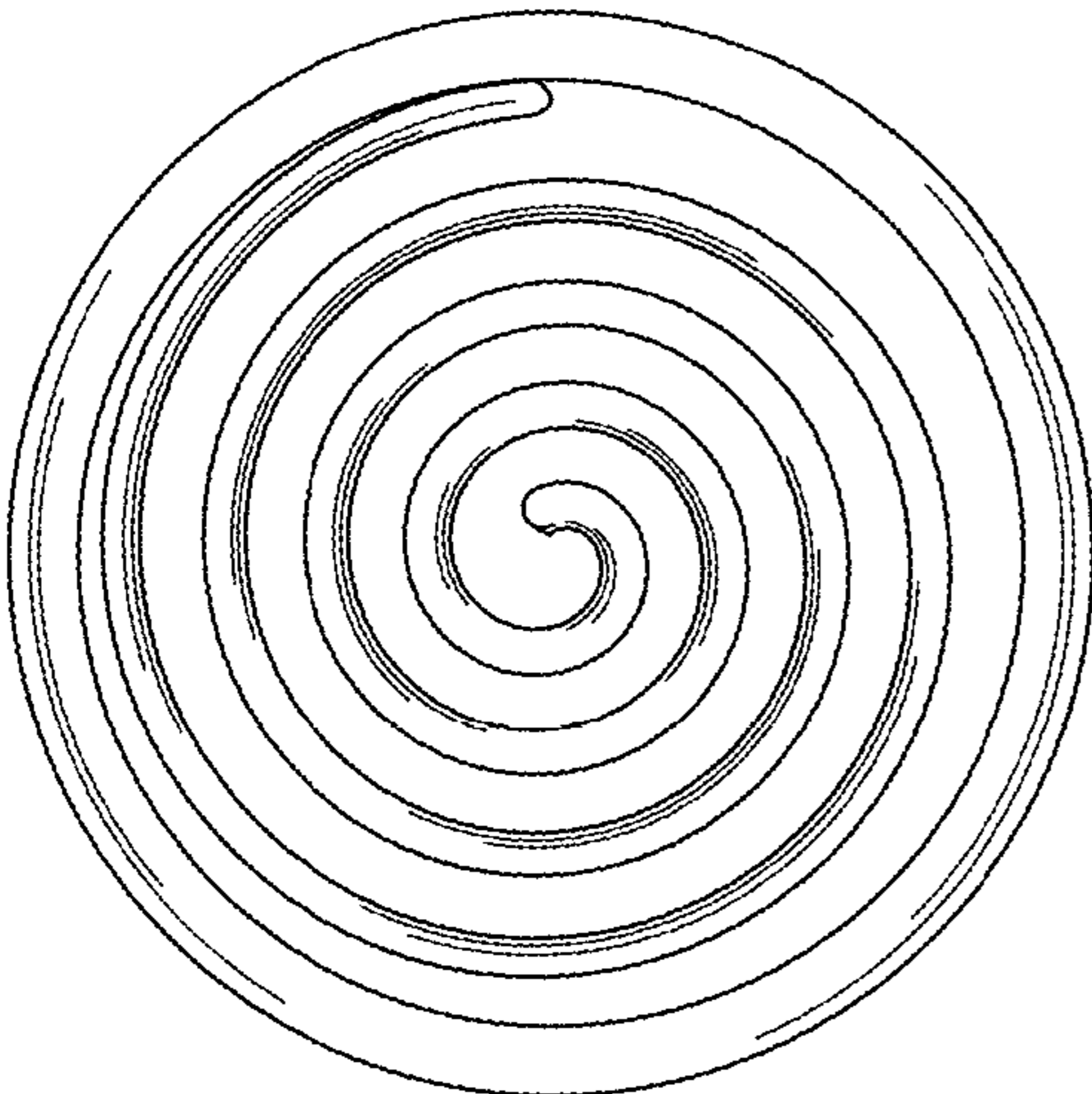


FIG. 6

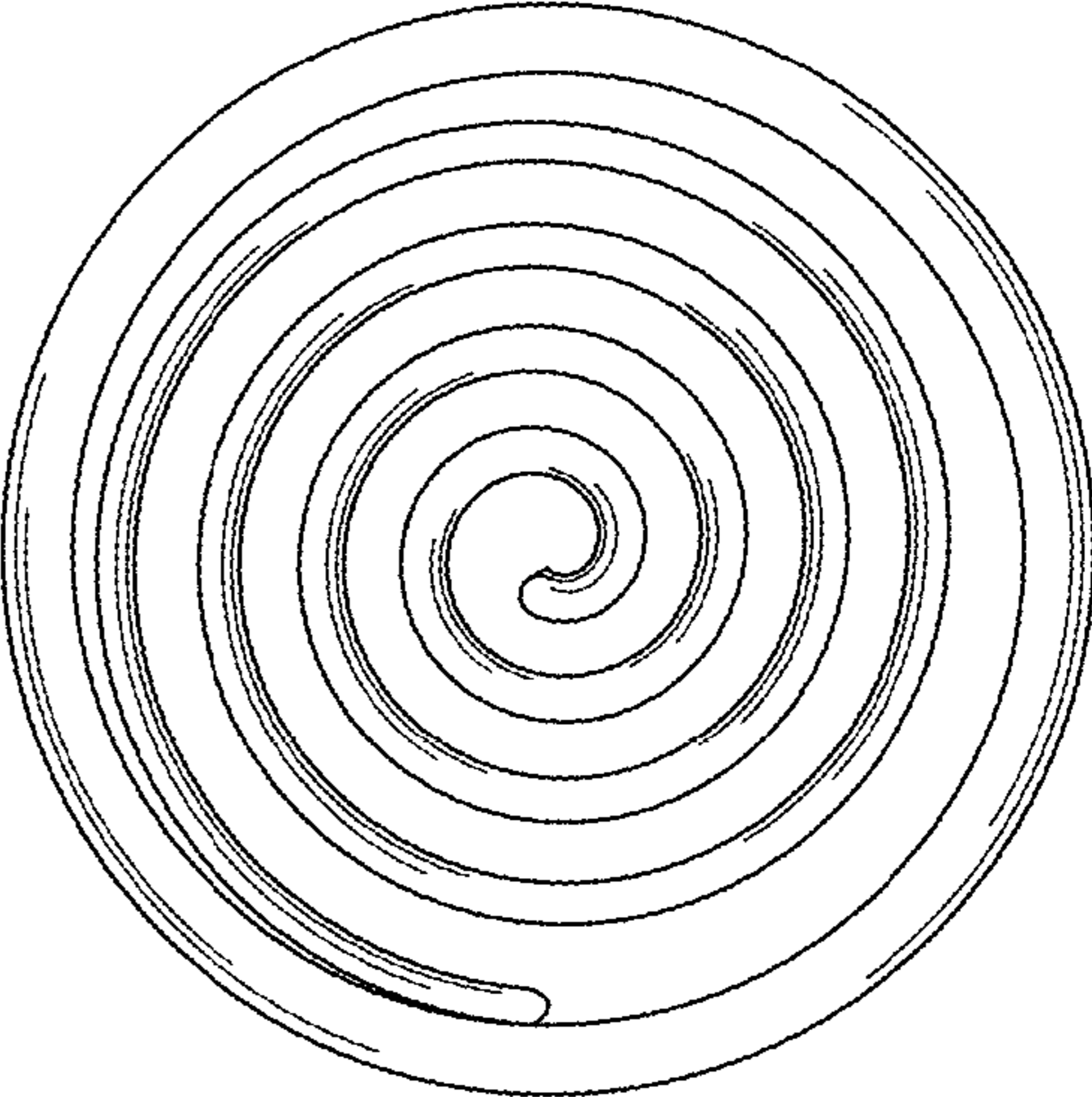


FIG. 7