



US00D769374S

(12) **United States Design Patent**  
**Won**

(10) **Patent No.:** **US D769,374 S**

(45) **Date of Patent:** **\*\* Oct. 18, 2016**

(54) **GAME CONTROLLER ATTACHABLE TO MODEL GUN**

(71) Applicant: **UZBRAINNET CORPORATION**,  
Seoul (KR)

(72) Inventor: **You Seuk Won**, Seoul (KR)

(73) Assignee: **UZBRAINNET CORPORATION**,  
Seoul (KR)

(\*\*) Term: **14 Years**

(21) Appl. No.: **29/524,806**

(22) Filed: **Apr. 23, 2015**

(51) **LOC (10) Cl.** ..... **21-01**

(52) **U.S. Cl.**  
USPC ..... **D21/333**

(58) **Field of Classification Search**  
USPC ..... D14/218, 432, 356, 358, 440, 400, 401,  
D14/418; D21/332, 333, 324, 328;  
273/148 B; 463/1, 29-47; D3/218, 301;  
361/807-810; 248/689, 690, 309.1,  
248/314, 346.01, 346.03, 346.06, 346.04;  
206/320, 305  
CPC ..... A63F 13/06; A63F 13/10; A63F 13/20;  
A63F 13/98; A63F 2300/10; A63F  
2300/1043; A63F 2300/8076; A63F 9/24;  
A63F 9/00

See application file for complete search history.

(56) **References Cited**

**U.S. PATENT DOCUMENTS**

D385,586 S \* 10/1997 Hanatani ..... D14/418  
D386,543 S \* 11/1997 Chikui ..... D14/418  
D472,241 S \* 3/2003 Kim ..... D14/418  
7,510,477 B2 \* 3/2009 Argentar ..... A63F 13/02  
345/156  
D618,687 S \* 6/2010 Ito ..... D14/418

8,057,309 B1 \* 11/2011 Mead ..... A63F 9/00  
273/148 B  
D666,268 S \* 8/2012 Huang ..... D14/418  
8,298,090 B2 \* 10/2012 Kazama ..... A63F 13/02  
463/37  
8,419,541 B2 \* 4/2013 Mao ..... A63F 13/02  
463/37  
8,487,876 B2 \* 7/2013 Ikeda ..... A63F 13/06  
273/148 B  
8,493,326 B2 \* 7/2013 Martinez ..... A63F 13/06  
345/168  
D688,314 S \* 8/2013 Slayton ..... D14/418  
9,180,365 B2 \* 11/2015 Torre ..... A63F 13/02

\* cited by examiner

*Primary Examiner* — Prabhakar Deshmukh

(74) *Attorney, Agent, or Firm* — Mintz Levin Cohn Ferris  
Glovsky and Popeo, P.C.; Kongsik Kim; Derek E.  
Constantine

(57) **CLAIM**

The ornamental design for a game controller attachable to a model gun, as shown and described.

**DESCRIPTION**

FIG. 1 is a perspective view of a game controller attachable to a model gun according to the present invention.

FIG. 2 is a front view of the game controller of FIG. 1.

FIG. 3 is a rear view of the game controller of FIG. 1.

FIG. 4 is a left side view of the game controller of FIG. 1.

FIG. 5 is a right side view of the game controller of FIG. 1.

FIG. 6 is a top view of the game controller of FIG. 1.

FIG. 7 is a bottom view of the game controller of FIG. 1; and,

FIG. 8 is a reference view in which the game controller of FIG. 1 is attached on a model gun and the model gun is represented by broken lines.

The broken lines of FIG. 3 and illustrating the model gun are for environmental purposes only and form no part of the claimed design.

**1 Claim, 8 Drawing Sheets**

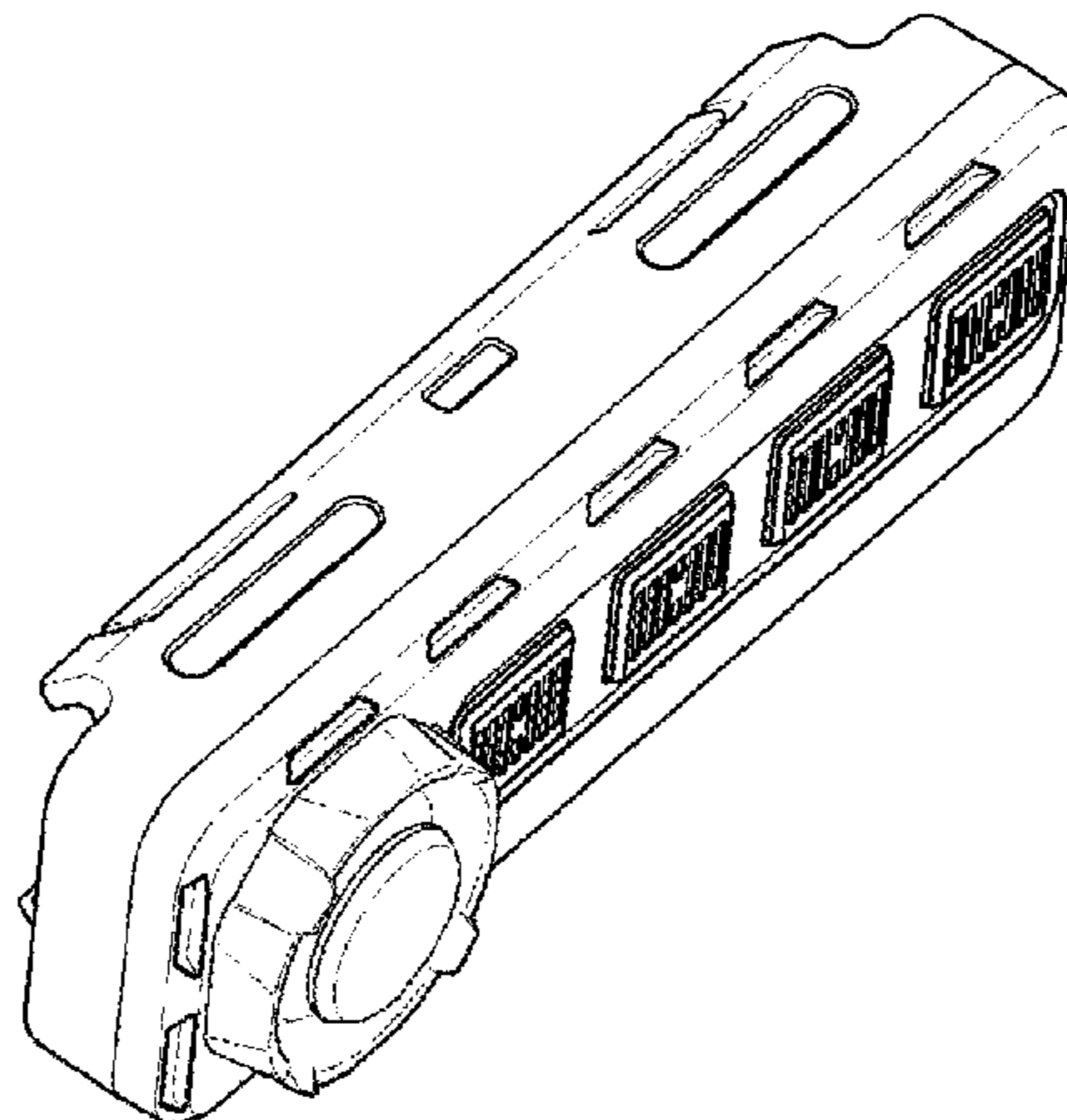


FIG. 1

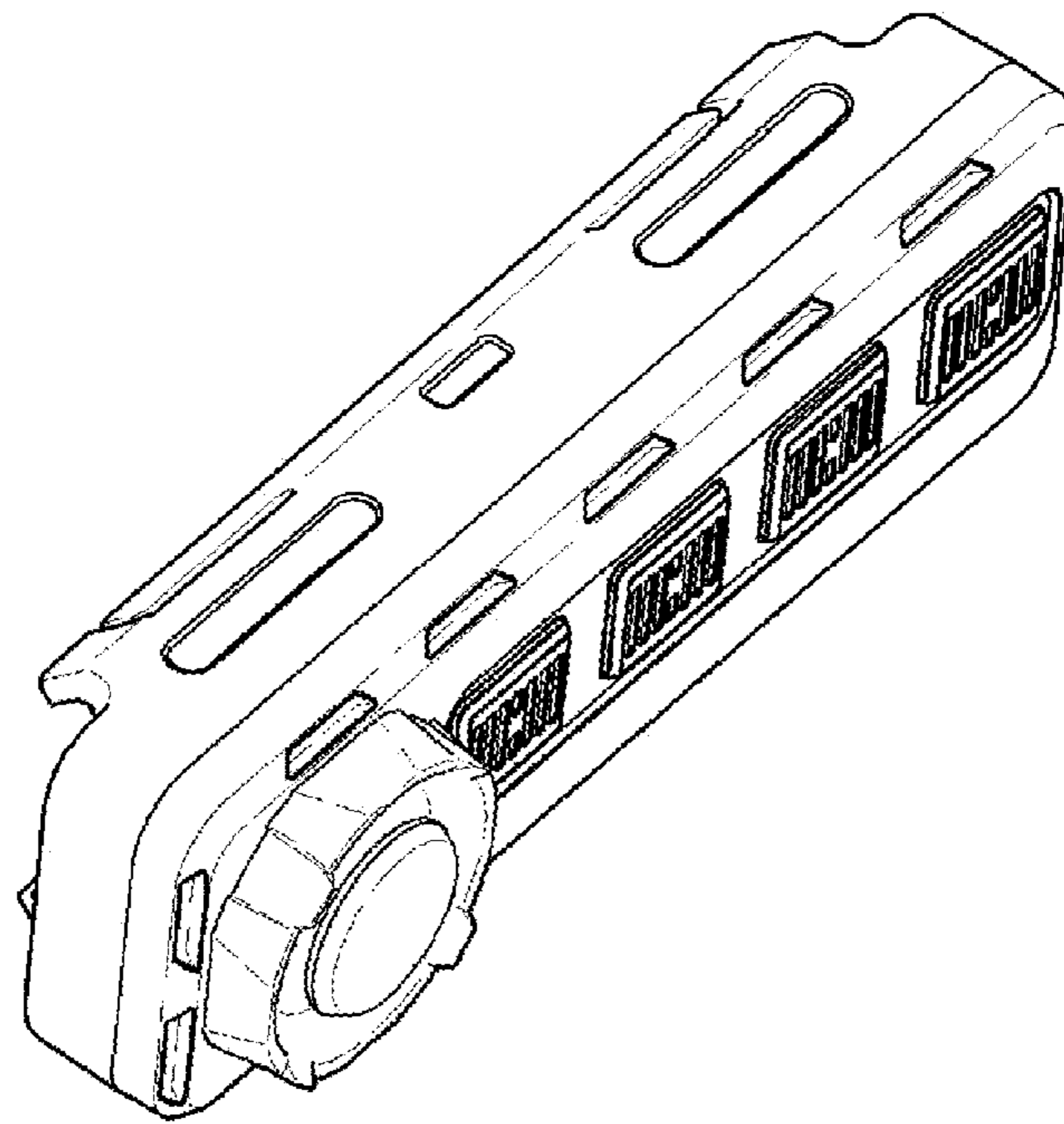


FIG. 2

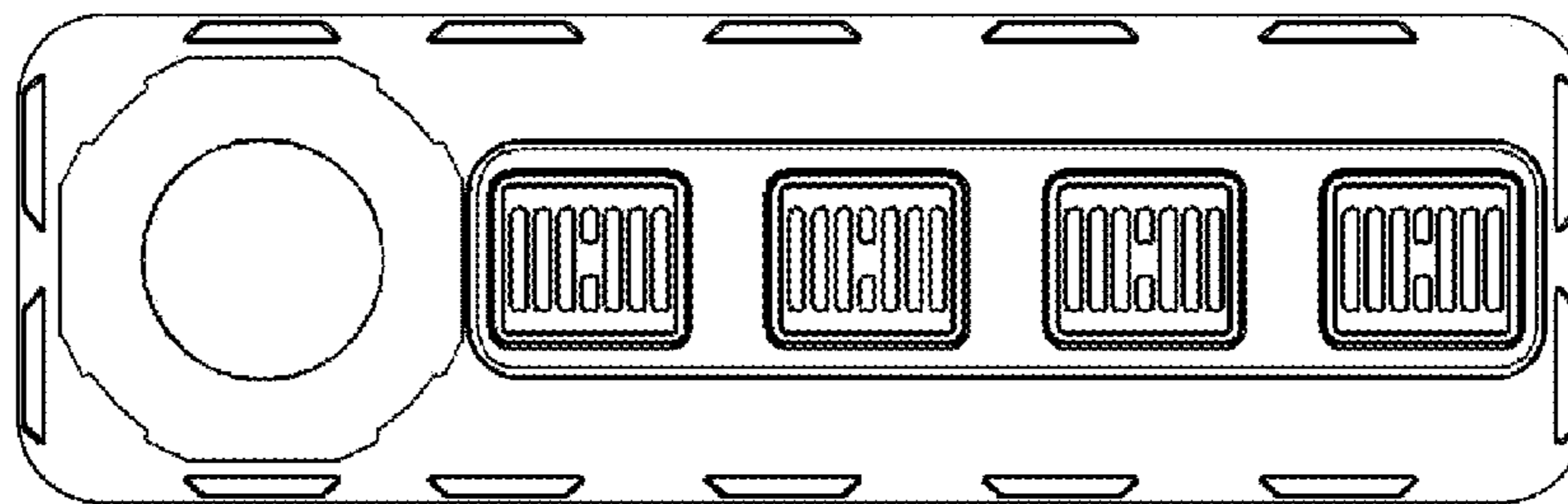
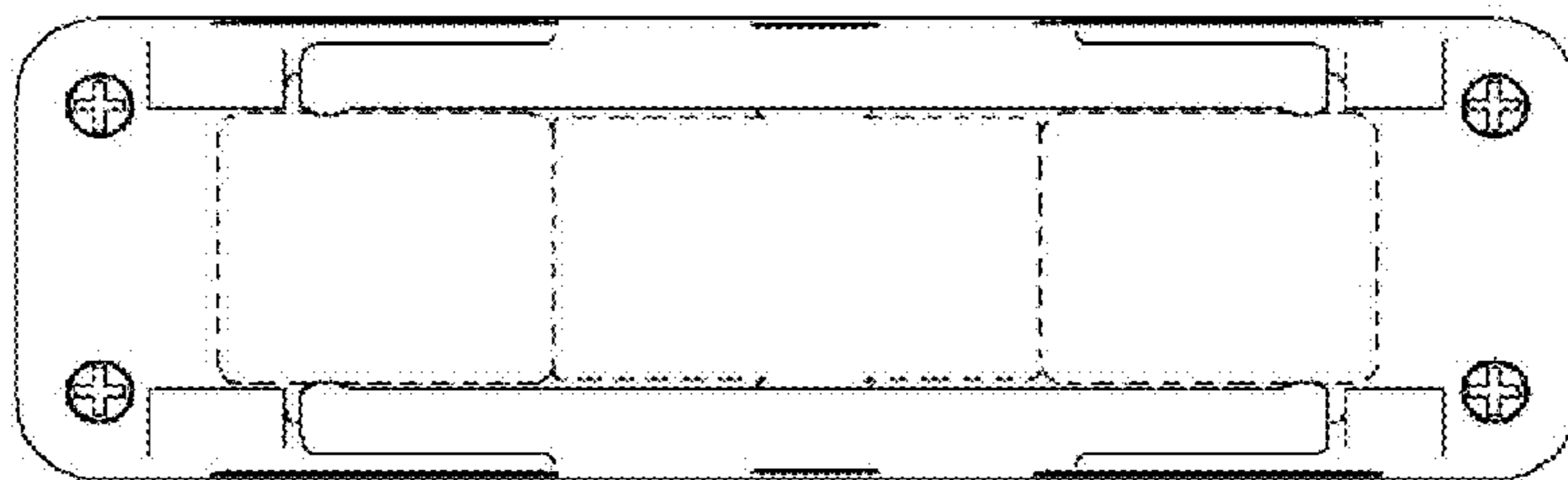
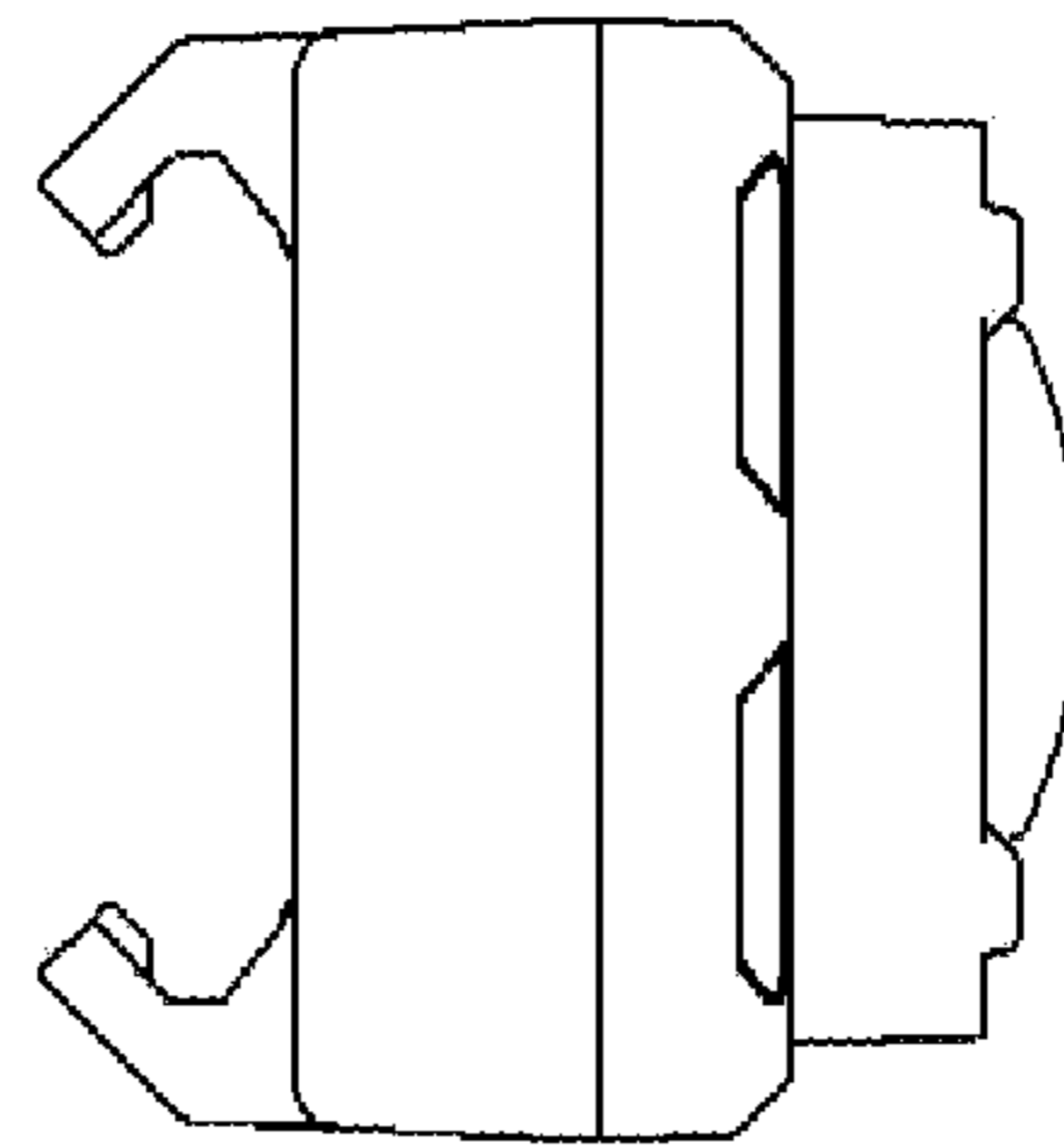


FIG. 3



**FIG. 4**



**FIG. 5**

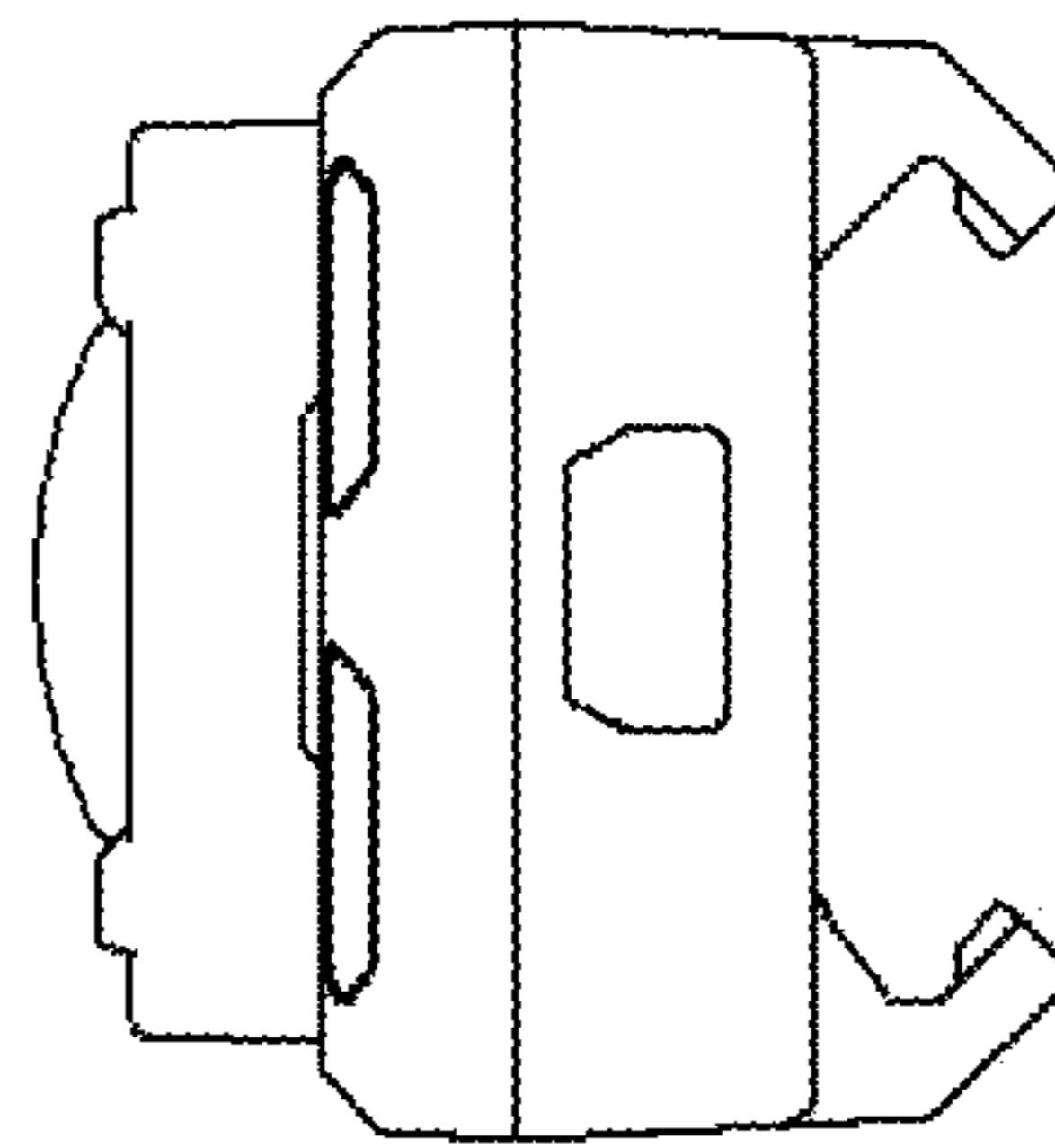


FIG. 6

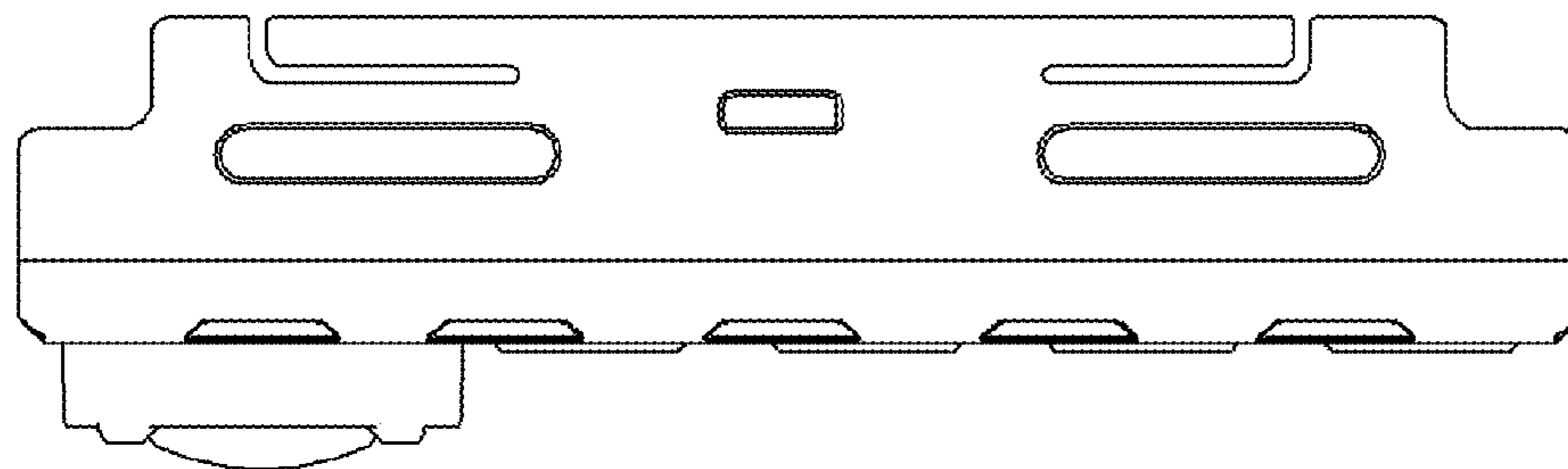


FIG. 7

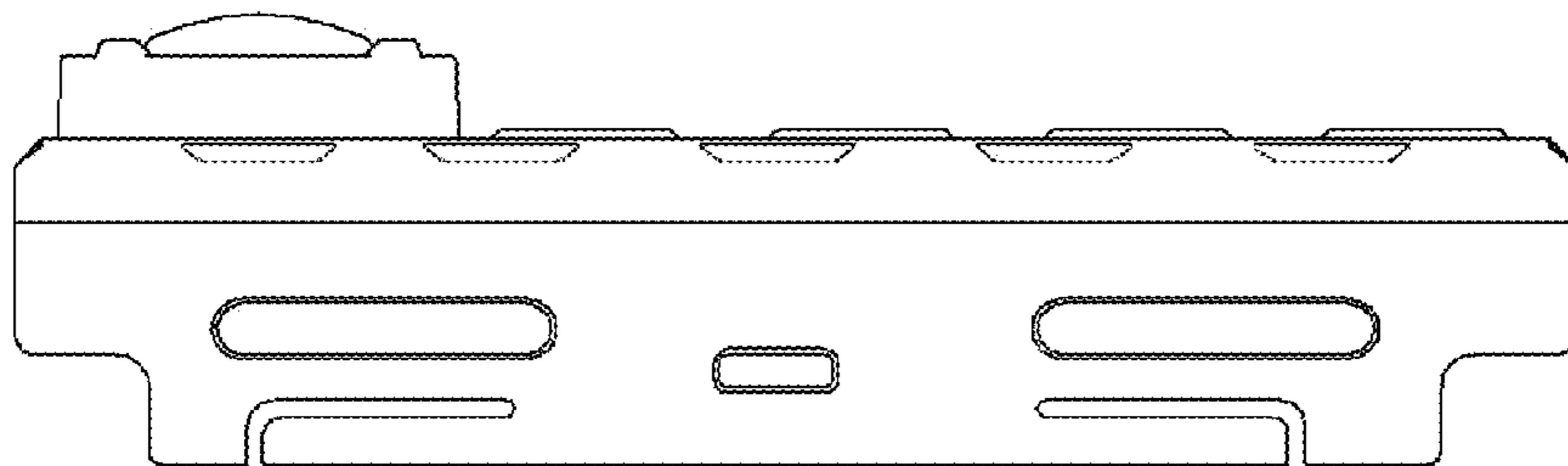




FIG. 8

