

US00D769373S

(12) **United States Design Patent** (10) **Patent No.:** **US D769,373 S**  
**Sogabe** (45) **Date of Patent:** **\*\* Oct. 18, 2016**

(54) **HOLDER FOR REMOTE CONTROLLER**

(71) Applicant: **Sony Computer Entertainment Inc.**,  
Tokyo (JP)

(72) Inventor: **Takashi Sogabe**, Tokyo (JP)

(73) Assignee: **Sony Interactive Entertainment LLC**,  
Tokyo (JP)

(\*\*) Term: **14 Years**

(21) Appl. No.: **29/448,253**

(22) Filed: **Mar. 11, 2013**

**Related U.S. Application Data**

(63) Continuation of application No. 29/371,250, filed on Dec. 14, 2010, now abandoned, which is a continuation-in-part of application No. 29/371,208, filed on Nov. 29, 2010, now Pat. No. Des. 654,118.

(30) **Foreign Application Priority Data**

Jun. 14, 2010 (JP) ..... 2010-014573

(51) **LOC (10) Cl.** ..... **21-01**

(52) **U.S. Cl.**  
USPC ..... **D21/333**; D14/218; D14/220; D6/665

(58) **Field of Classification Search**

USPC ..... D6/407, 631, 633, 663, 664, 665, 672, D6/674; D8/68; D14/218, 220, 399-402, D14/418, 421, 426, 428, 496, 432; D18/14; D21/333, 324, 573, 575, 328, 332, D21/543; 42/117; 345/156, 161; 434/16, 18, 434/19, 20, 24; 273/440, 459, 460; 463/1, 463/30-36, 46, 47, 51, 39, 37, 5; 206/320, 206/305; 248/314, 346.01, 346.03, 346.06; 124/55, 56, 57, 60, 61, 67, 68, 69, 70, 124/71, 73

CPC ..... F41B 11/00

See application file for complete search history.

(56) **References Cited**

U.S. PATENT DOCUMENTS

3,655,192 A	4/1972	Hall et al.	
D269,588 S *	7/1983	Ludwig	D8/107
5,119,576 A	6/1992	Erning	
5,675,427 A *	10/1997	Miller	398/106

(Continued)

*Primary Examiner* — Sheryl Lane

*Assistant Examiner* — Catherine Posthauer

(74) *Attorney, Agent, or Firm* — Michael Best & Friedrich LLP

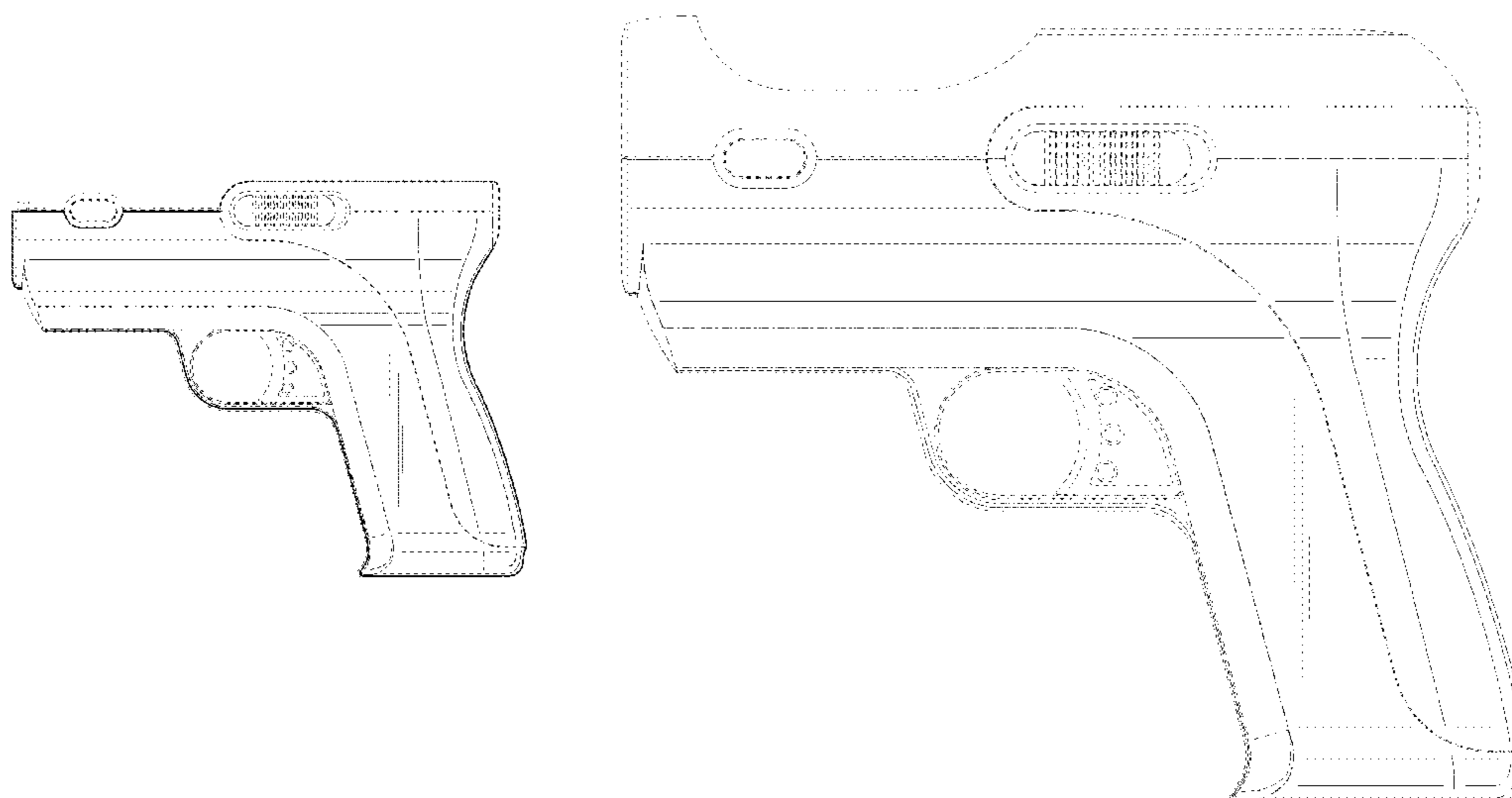
(57) **CLAIM**

The ornamental design for a holder for a remote controller, as shown and described.

**DESCRIPTION**

FIG. 1 is a front elevational view of a holder for a remote controller showing my new design;  
 FIG. 2 is a rear elevational view thereof;  
 FIG. 3 is a left side elevational view thereof;  
 FIG. 4 is a right side elevational view thereof;  
 FIG. 5 is a top plan view thereof;  
 FIG. 6 is a bottom plan view thereof; and  
 FIG. 7 is a front, top, left perspective view thereof;  
 FIG. 8 is a front elevational view of another embodiment of a holder for a remote controller showing my new design;  
 FIG. 9 is a rear elevational view thereof;  
 FIG. 10 is a left side elevational view thereof;  
 FIG. 11 is a right side elevational view thereof;  
 FIG. 12 is a top plan view thereof;  
 FIG. 13 is a bottom plan view thereof; and,  
 FIG. 14 is a front, top, right perspective view thereof.  
 The broken lines are shown to indicate portions of the holder for remote control and form no part of the claimed design.  
 The dash-dot-dash lines represent boundaries and form no part of the claimed design.

**1 Claim, 10 Drawing Sheets**



(56)

References Cited

U.S. PATENT DOCUMENTS

D398,661 S	9/1998	Lee	
D436,108 S	1/2001	Lee	
D467,926 S	12/2002	Lin	
D500,652 S *	1/2005	Huang	D8/68
6,902,483 B2	6/2005	Lin	
D508,277 S *	8/2005	Cerovic	D22/104
D521,568 S	5/2006	Hussaini et al.	
D524,871 S	7/2006	Nunokawa	
D529,776 S *	10/2006	Chen	D8/68
D541,806 S	5/2007	Wada	
D605,488 S *	12/2009	Aglassinger	D8/68
D614,624 S	4/2010	Zhang	
D634,806 S *	3/2011	Uedelhoven	D22/104
D646,281 S	10/2011	Markowitz et al.	
D651,275 S *	12/2011	Emde et al.	D22/104
D654,118 S *	2/2012	Sogabe	D21/333
D663,799 S *	7/2012	Edelman et al.	D22/104
D664,609 S *	7/2012	Johnson	D21/574
D666,248 S *	8/2012	Karacal	D21/333
D666,268 S *	8/2012	Huang et al.	D22/103
D681,131 S *	4/2013	Su	D21/574
D687,117 S *	7/2013	Yigit	D22/104
D688,314 S *	8/2013	Slayton et al.	D21/333
2005/0197178 A1	9/2005	Villegas	
2006/0288990 A1 *	12/2006	Wei	124/80
2008/0015017 A1	1/2008	Ashida et al.	
2011/0092290 A1	4/2011	Huebner et al.	
2011/0195785 A1	8/2011	Ashida et al.	

\* cited by examiner

FIG. 1

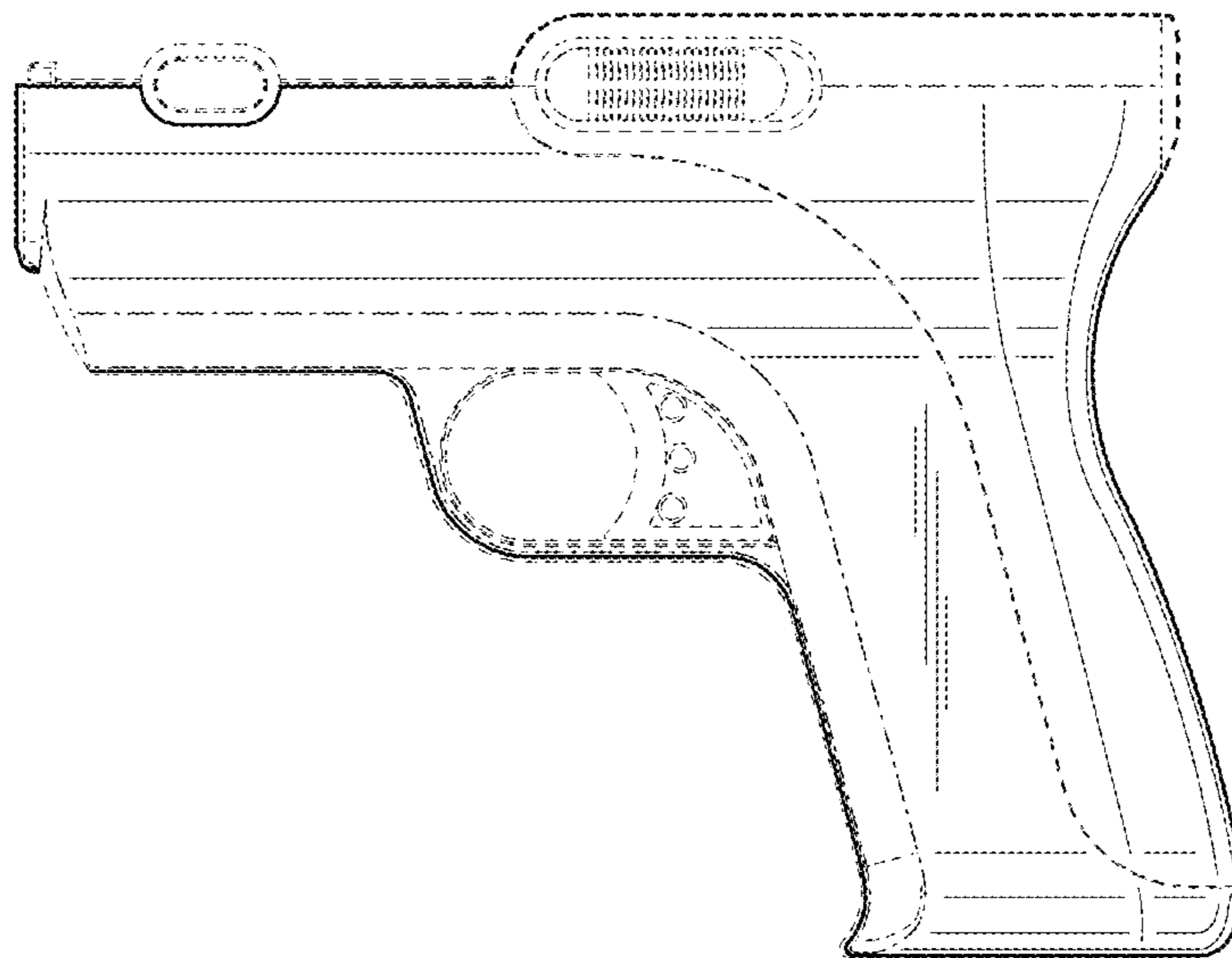


FIG.2

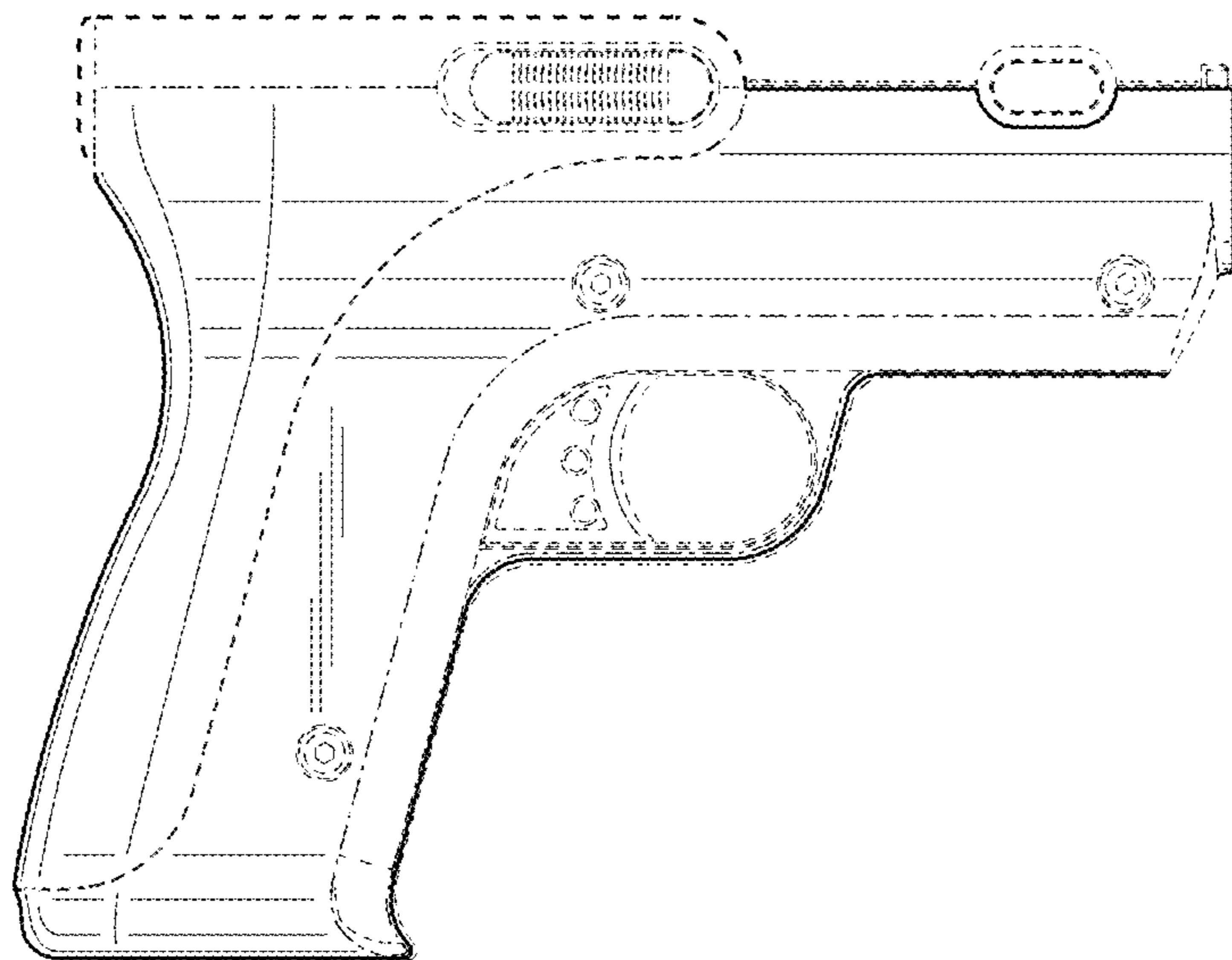


FIG.3

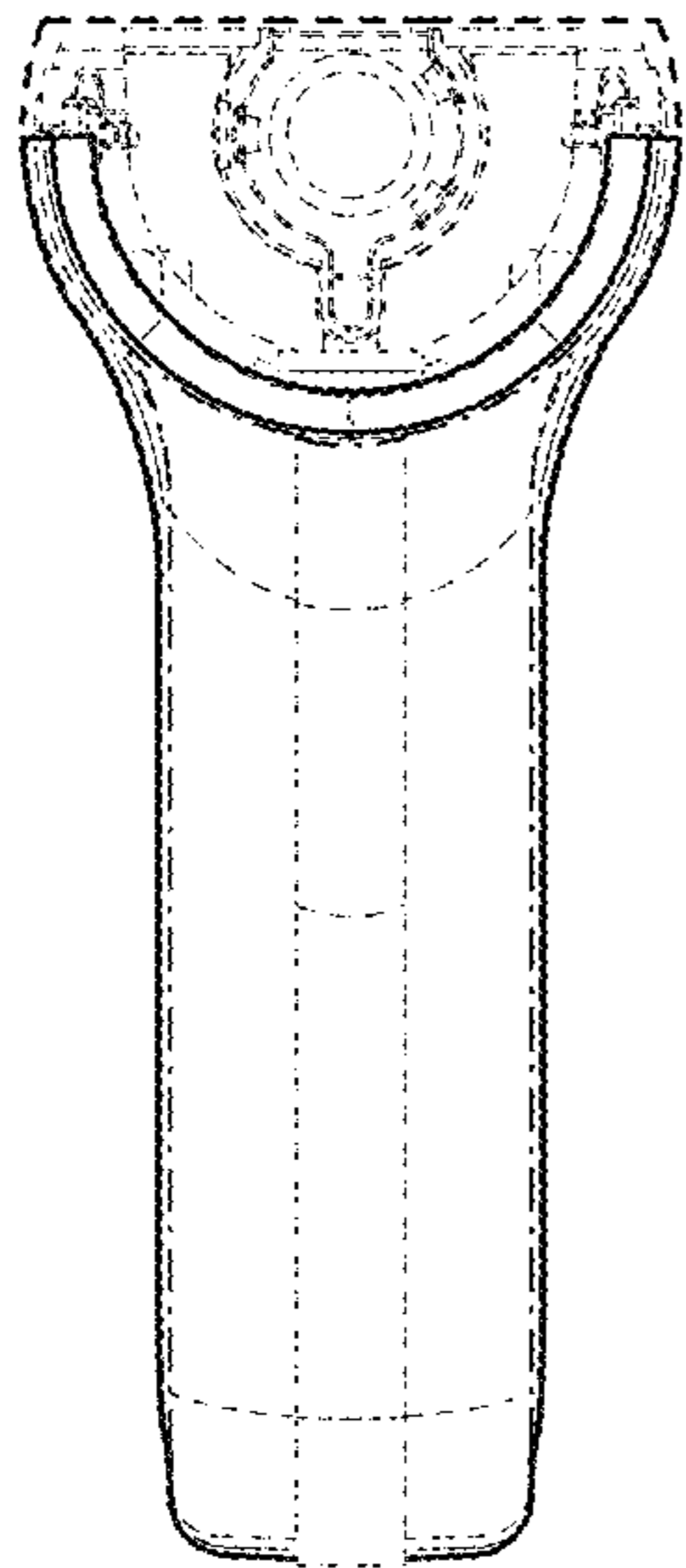


FIG.4

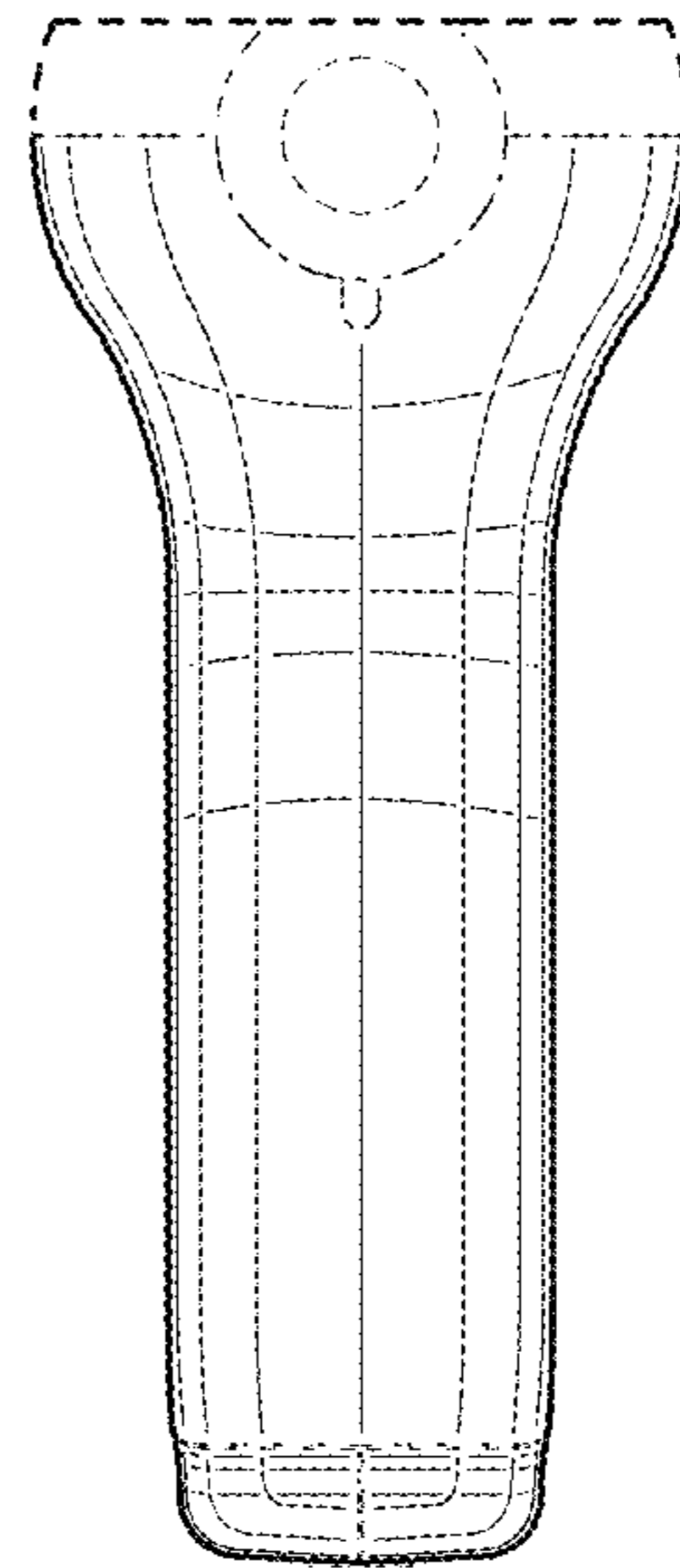


FIG.5

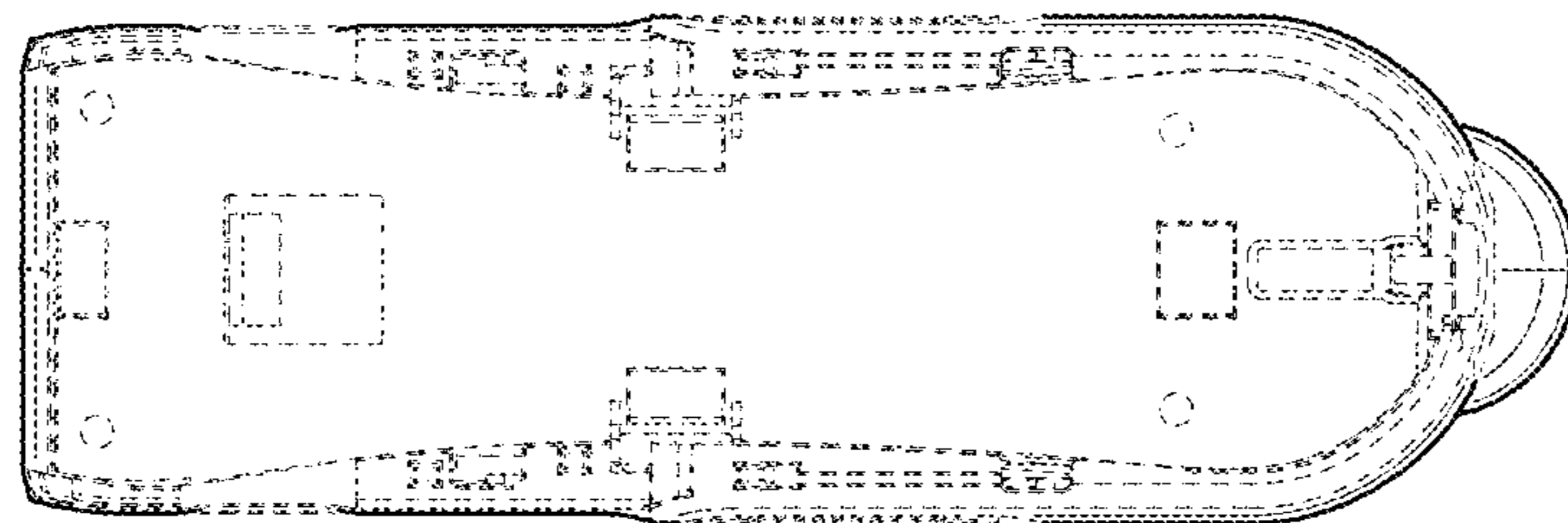


FIG.6

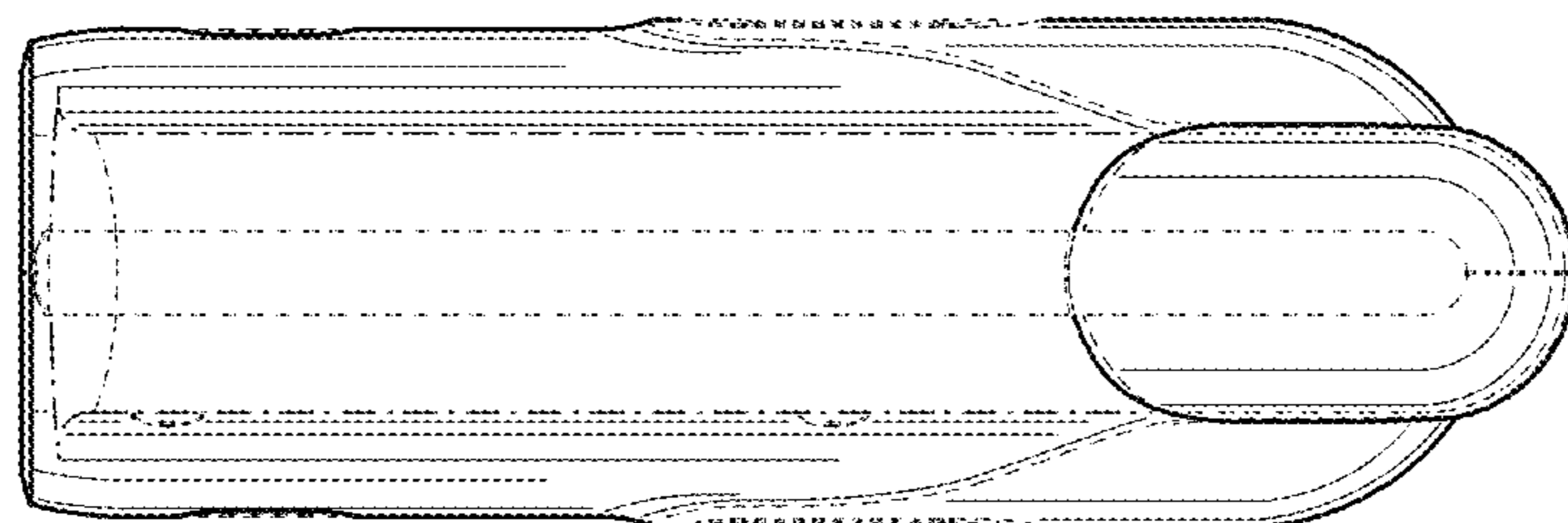
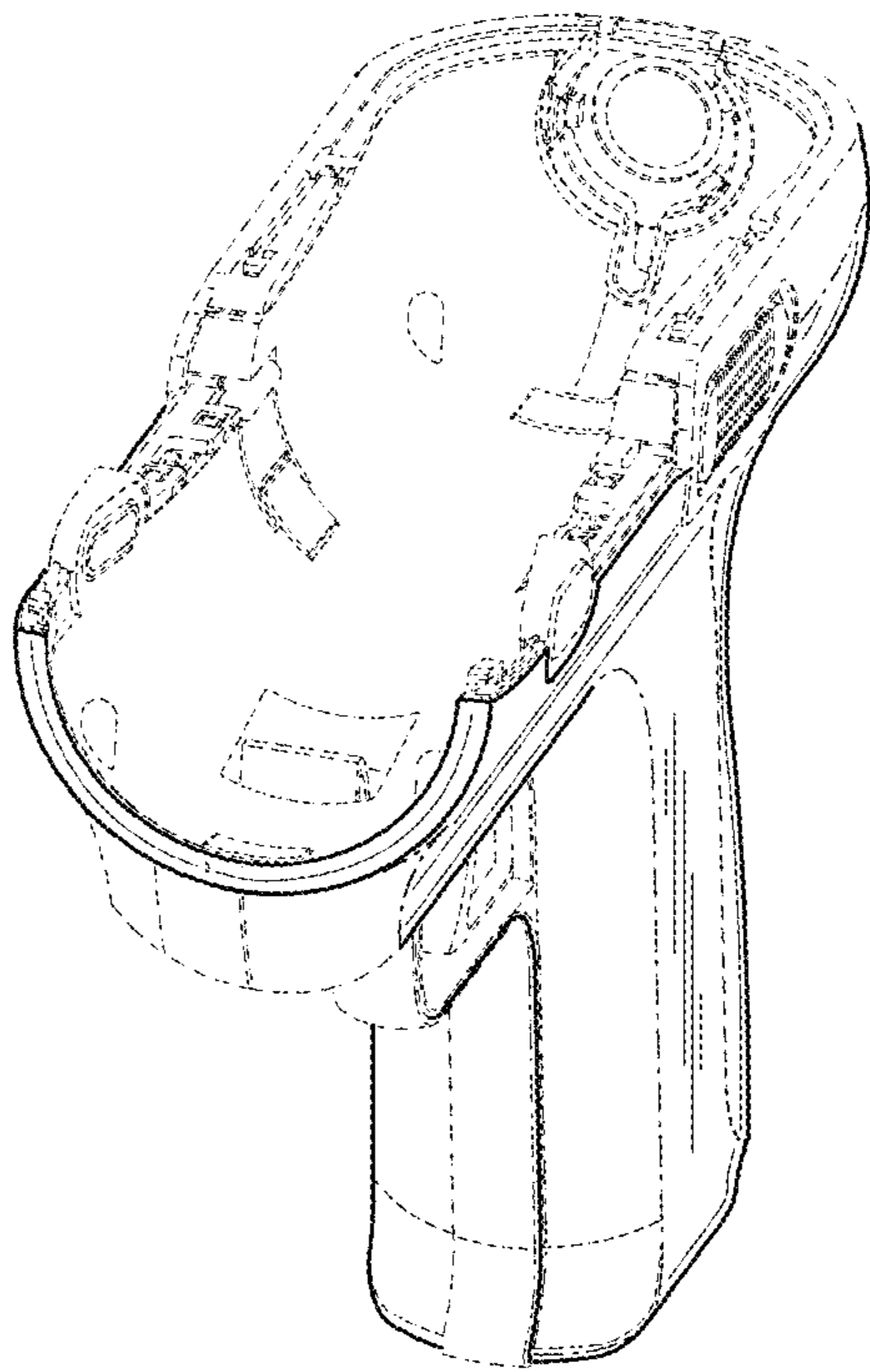




FIG.7



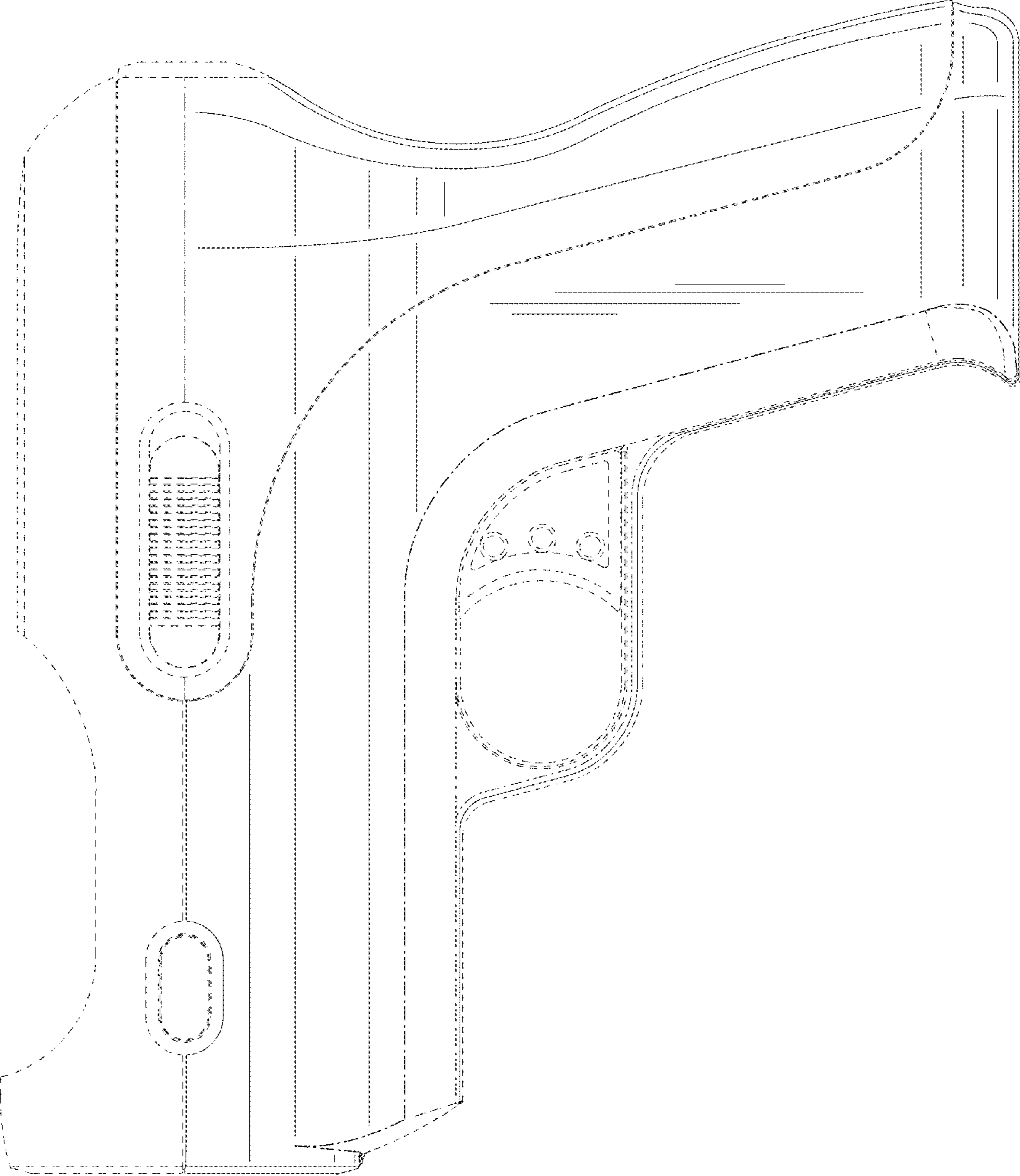


FIG. 8



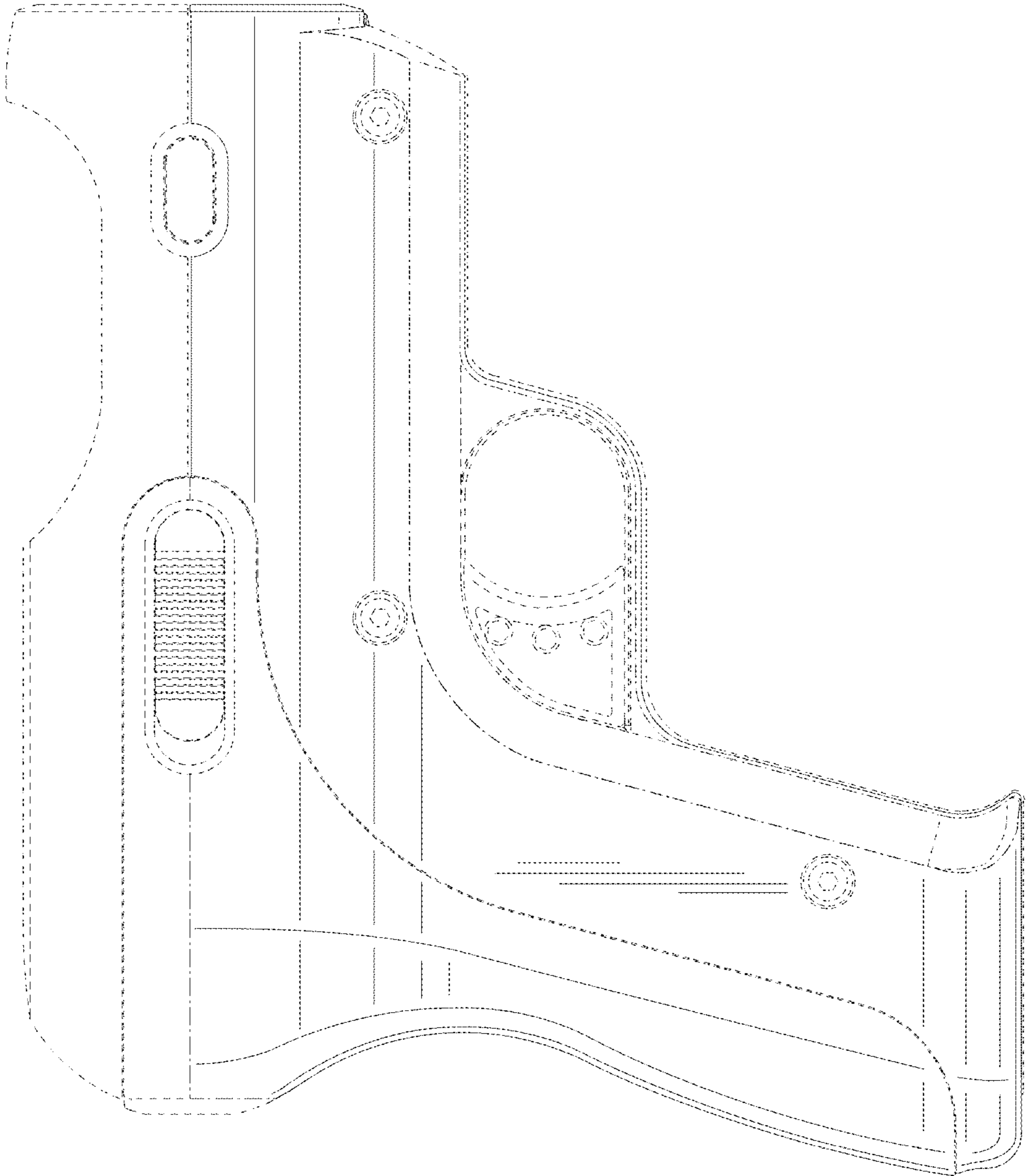


FIG. 9

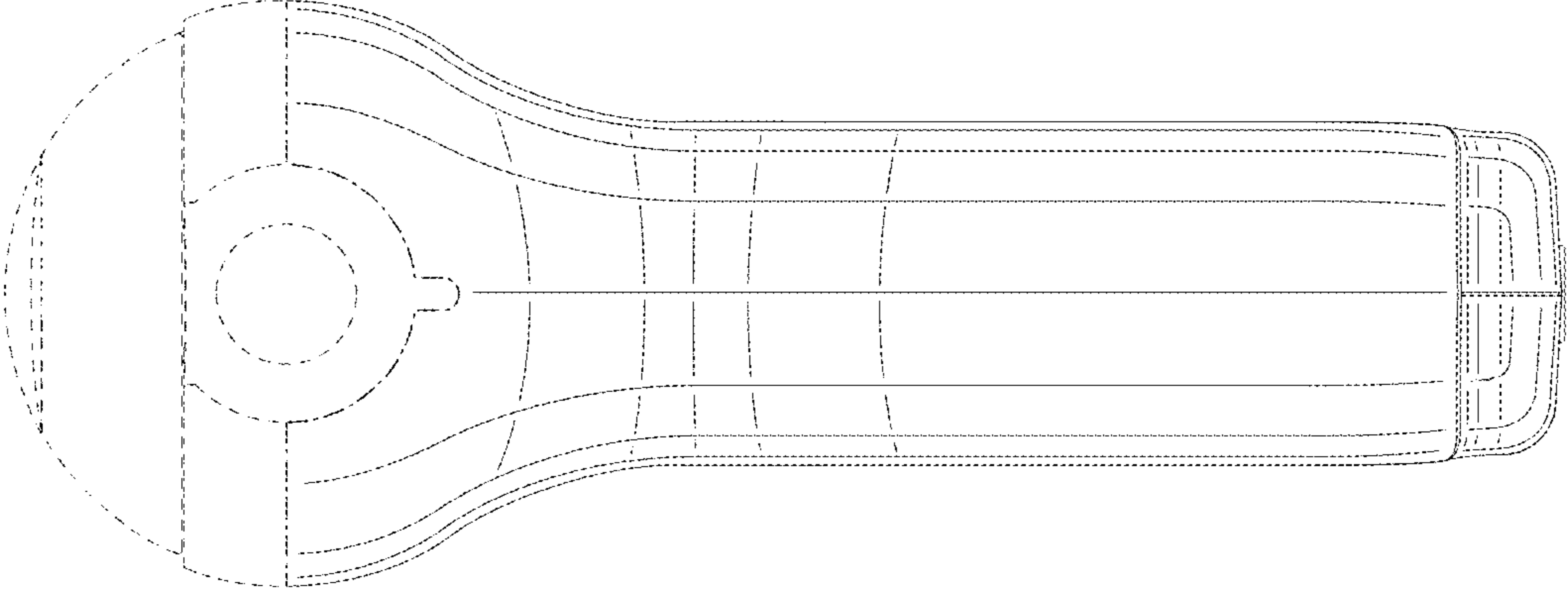


FIG.11

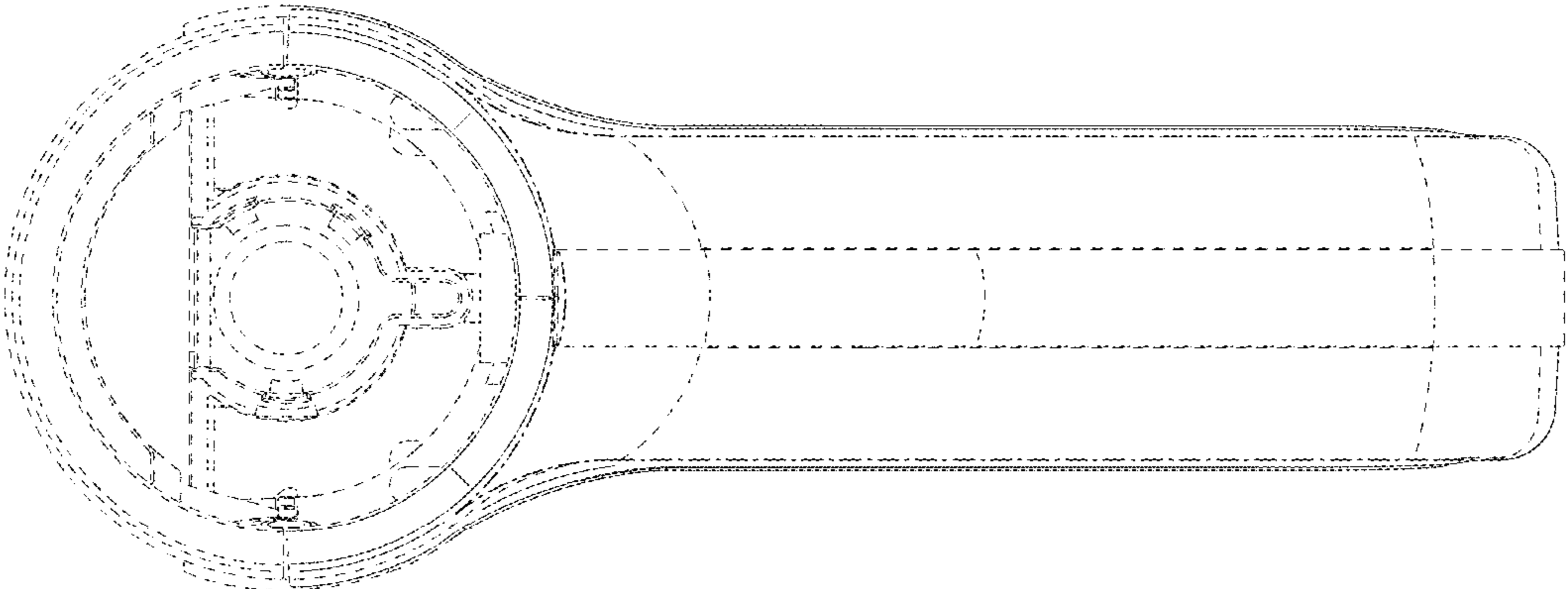


FIG.10

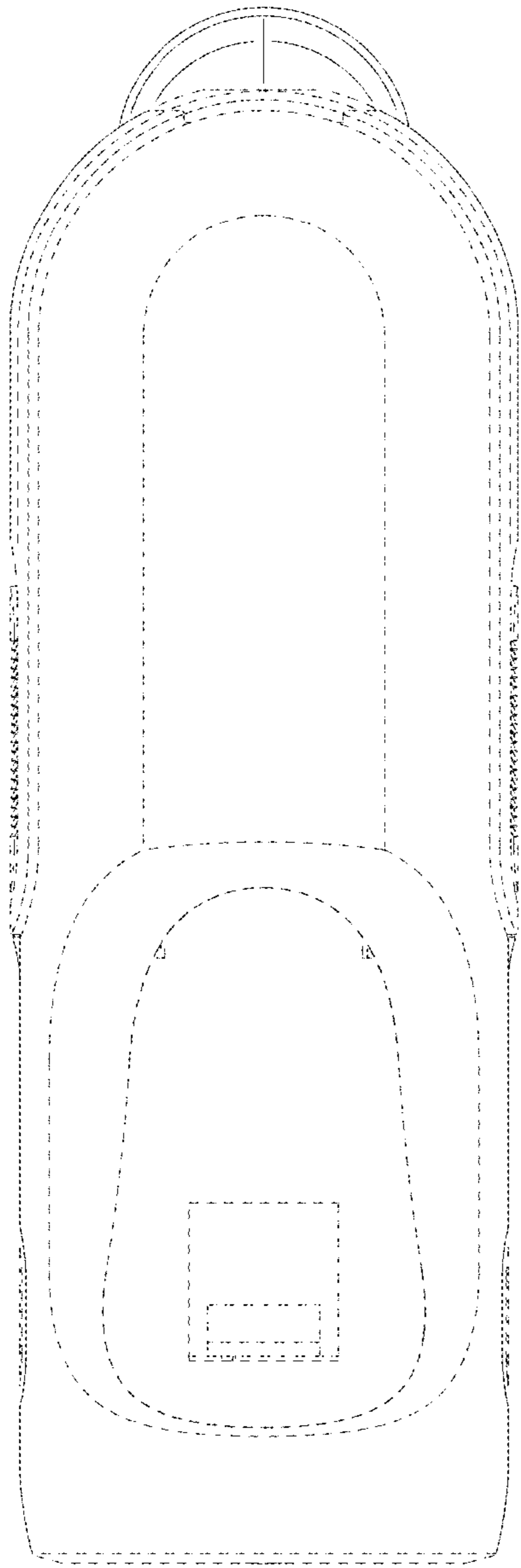


FIG.12

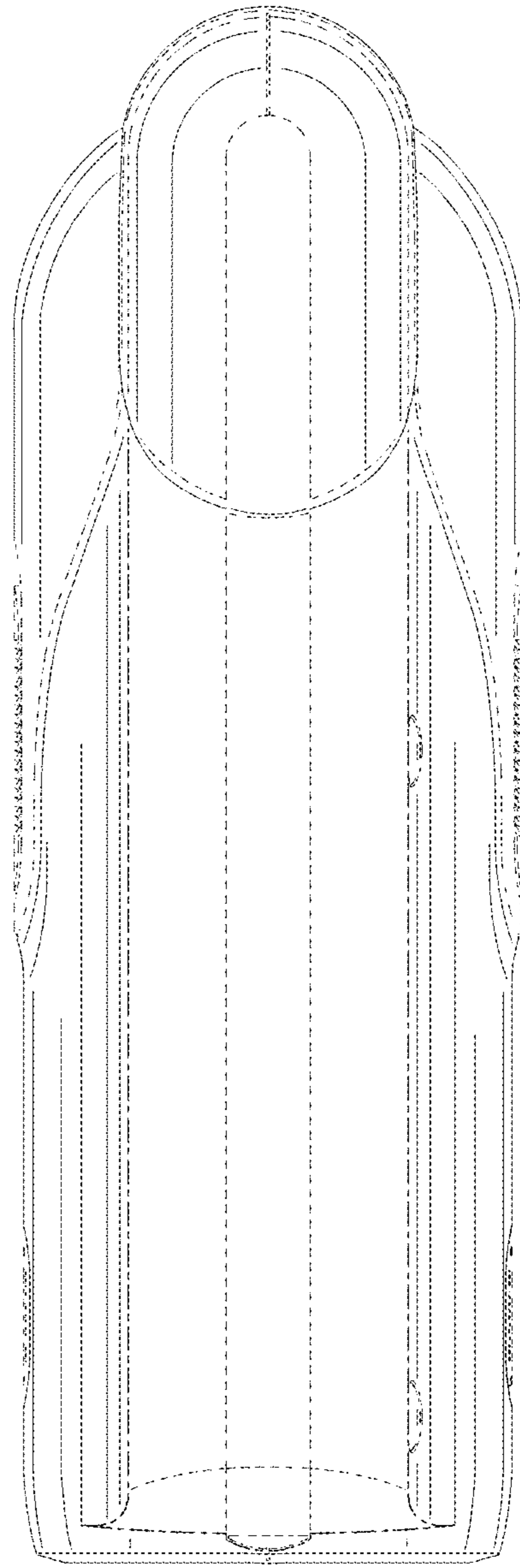


FIG.13

FIG.14

