

US00D769370S

(12) **United States Design Patent**
Moeck

(10) **Patent No.:** **US D769,370 S**
(45) **Date of Patent:** **** Oct. 18, 2016**

(54) **PEN HOLDER**

(71) Applicant: **Gerhard Moeck**, Kirchhrehnbach (DE)

(72) Inventor: **Gerhard Moeck**, Kirchhrehnbach (DE)

(**) Term: **14 Years**

(21) Appl. No.: **29/517,370**

(22) Filed: **Feb. 12, 2015**

(30) **Foreign Application Priority Data**

Aug. 12, 2014 (WO) DM/084179

(51) **LOC (10) Cl.** **19-06**

(52) **U.S. Cl.**
USPC **D19/204; D19/906**

(58) **Field of Classification Search**
USPC D3/206; D14/411; D19/75-92,
D19/115-204
CPC A47B 63/00; A47F 7/14; A47F 7/145;
B42F 7/00; B42F 7/02; B42F 7/10; B42F
17/02; B42F 17/08; B43K 23/001; B43K
23/002; B43K 5/00; B43K 7/00; B43K 7/10;
B43K 7/12; B43K 8/04; B43K 19/00; B43K
19/02; B43K 19/14

See application file for complete search history.

(56) **References Cited**

U.S. PATENT DOCUMENTS

488,736 A * 12/1892 King G09F 7/00
116/225
1,484,461 A * 2/1924 Bayer B43K 23/001
24/12
1,921,270 A * 8/1933 Talt B43K 23/001
131/256

D421,625 S * 3/2000 Oka D19/166
6,739,215 B2 * 5/2004 Lozeau B67B 7/0447
7/155
D495,362 S * 8/2004 Qiu D19/121
D529,088 S * 9/2006 Gnesin D19/121
D531,216 S * 10/2006 Oas D19/121
D534,585 S * 1/2007 Oas D19/121
D538,341 S * 3/2007 Oas D19/121
D674,276 S * 1/2013 Cohen D9/434
8,672,176 B2 * 3/2014 Sayasithsena B65D 25/24
220/4.01
D705,866 S * 5/2014 Adelman D19/135
D716,612 S * 11/2014 Mills D11/146
2003/0168474 A1 * 9/2003 Widgery A47G 19/2266
222/183
2005/0277316 A1 * 12/2005 Cohen H01R 13/6335
439/135
2015/0041350 A1 * 2/2015 Moeck B43K 23/001
206/371
2015/0165813 A1 * 6/2015 Martin B43K 23/004
29/428

* cited by examiner

Primary Examiner — Elizabeth Albert
(74) *Attorney, Agent, or Firm* — Laurence A. Greenberg;
Werner H. Stemer; Ralph E. Locher

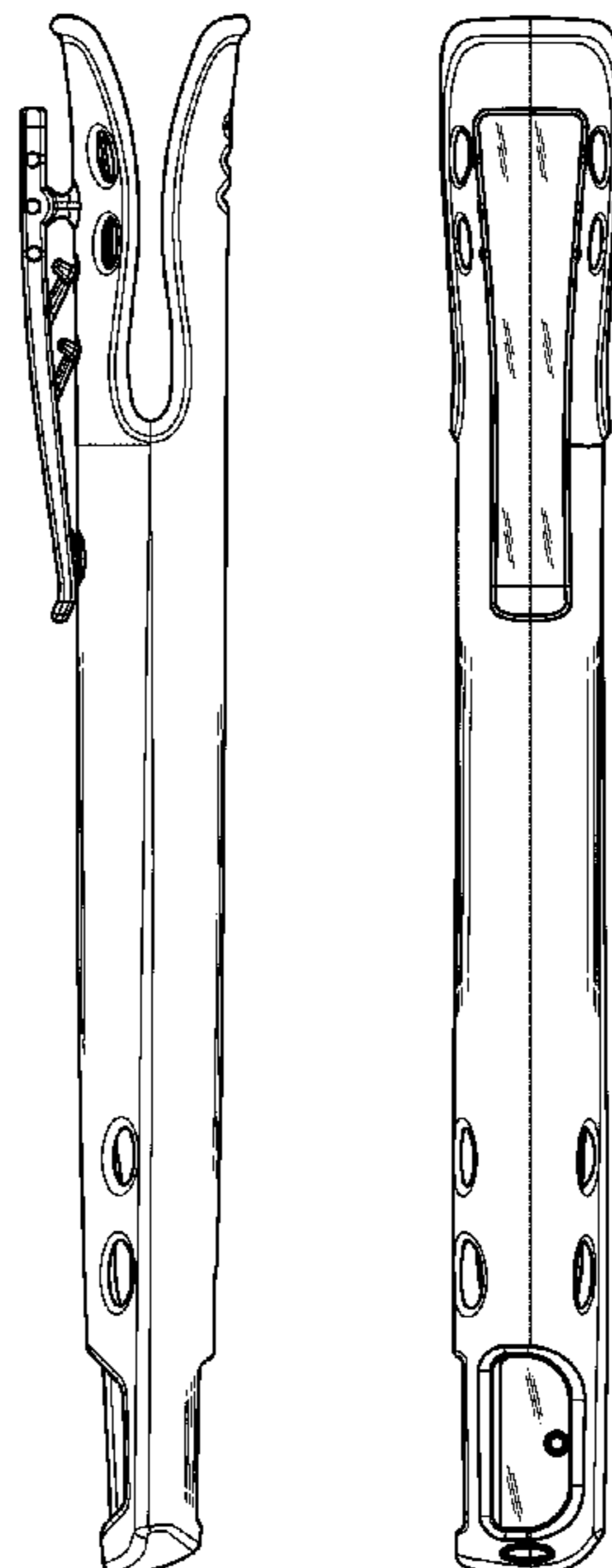
(57) **CLAIM**

I claim the ornamental design for a pen holder, as shown and described.

DESCRIPTION

FIG. 1 is a front perspective view of the pen holder showing my new design;
FIG. 2 is a right side elevation view thereof;
FIG. 3 is a front elevation view thereof; and,
FIG. 4 is a back elevation view thereof.

1 Claim, 4 Drawing Sheets



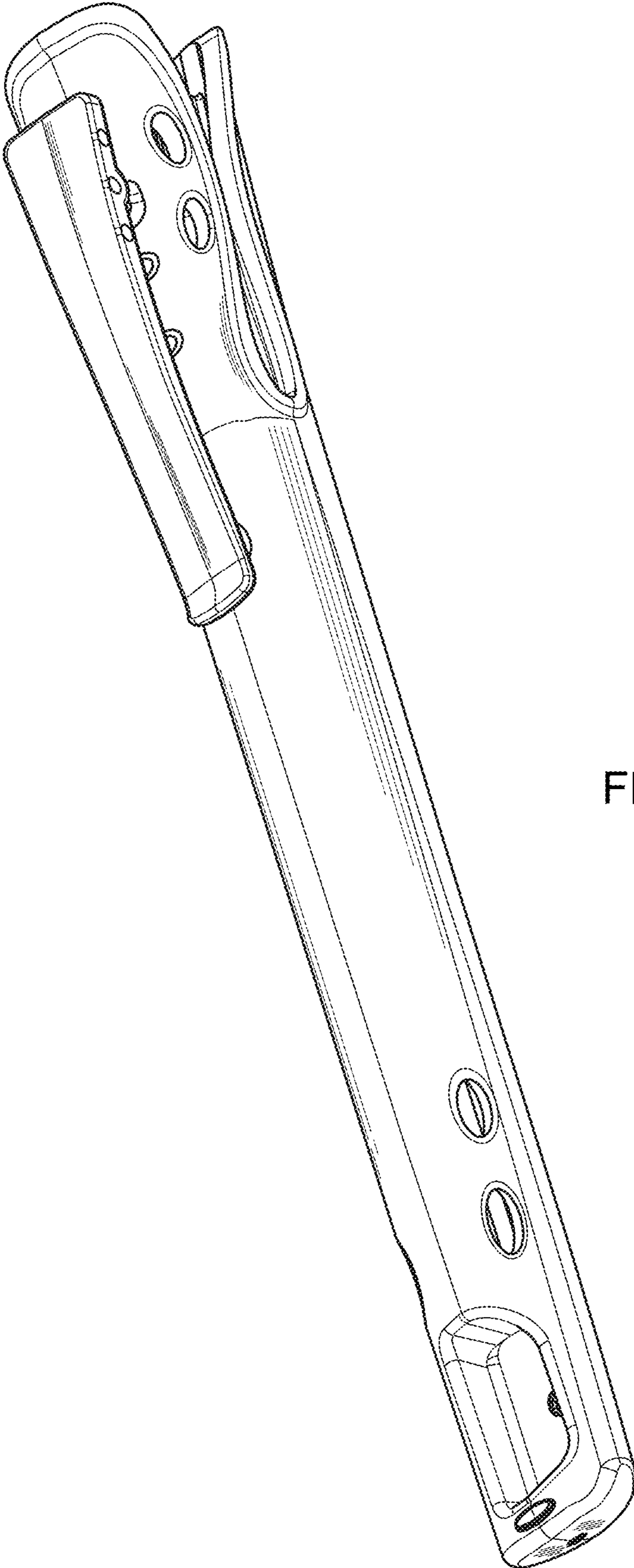


FIG. 1

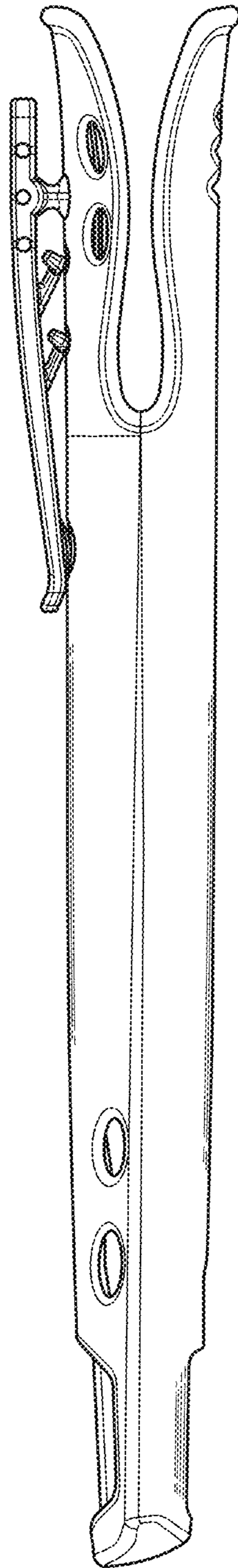


FIG. 2

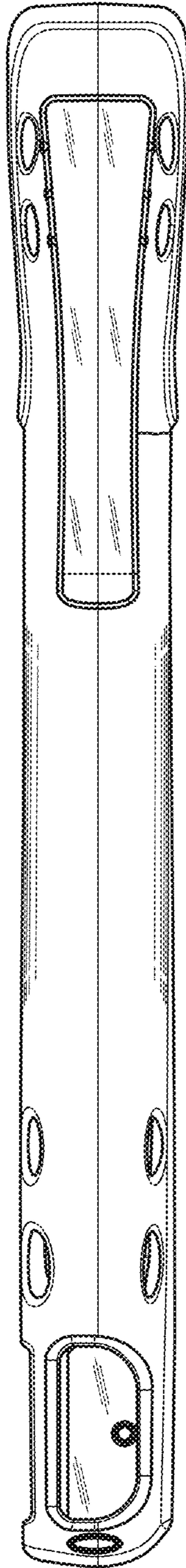


FIG. 3

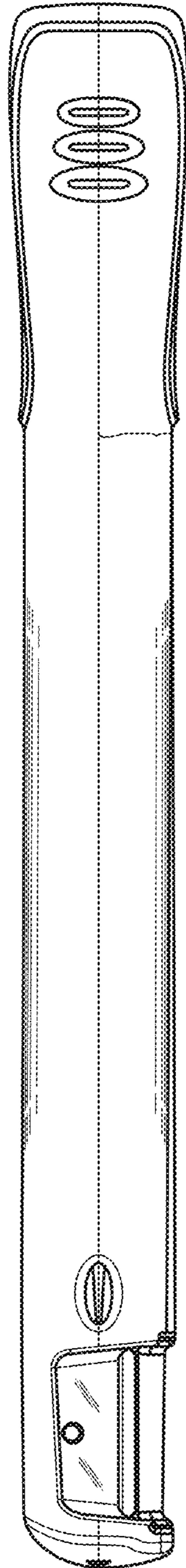


FIG. 4