



US00D769366S

(12) **United States Design Patent**
Hiraguchi

(10) **Patent No.:** **US D769,366 S**

(45) **Date of Patent:** **** Oct. 18, 2016**

(54) **CASH DRAWER WITH PRINTER**

(71) Applicant: **STAR MICRONICS CO., LTD.**,
Shizuoka (JP)

(72) Inventor: **Katsunori Hiraguchi**, Shizuoka (JP)

(73) Assignee: **STAR MICRONICS CO., LTD.**,
Shizuoka-Shi (JP)

(**) Term: **14 Years**

(21) Appl. No.: **29/516,472**

(22) Filed: **Feb. 3, 2015**

(30) **Foreign Application Priority Data**

Nov. 4, 2014 (JP) 2014-024531

(51) **LOC (10) Cl.** **18-01**

(52) **U.S. Cl.**
USPC **D18/12.1; D18/54.1**

(58) **Field of Classification Search**
USPC D18/12, 12.1, 12.3, 4.1, 4.3, 4.5, 50,
D18/54.1, 55, 56; D14/300, 371, 374-377,
D14/332, 336, 337, 341, 356, 358, 385, 386,
D14/420, 448, 451, 452; D20/10, 41, 99;
D3/297, 294; D99/28, 34, 35, 36, 37,
D99/43, 99
CPC G07G 1/00; G07G 1/0018; G07G 1/0027
See application file for complete search history.

(56) **References Cited**

U.S. PATENT DOCUMENTS

- D261,004 S * 9/1981 Jinbo D18/4.1
- 4,312,037 A * 1/1982 Yamakita G06Q 20/209
705/24
- D269,441 S * 6/1983 Matsuda D18/4.3
- D294,711 S * 3/1988 Williams D18/12.1
- D296,210 S * 6/1988 Nishibori D14/369
- D303,536 S * 9/1989 Miyaji D18/4.3
- D319,458 S * 8/1991 Ave-Lallemant D18/4.3

- D374,028 S * 9/1996 Sato D18/12.1
- D460,104 S * 7/2002 Wada D18/12.1
- D526,648 S * 8/2006 Andre D14/314
- D596,626 S * 7/2009 Andre D14/240

(Continued)

OTHER PUBLICATIONS

mPOP Star Micronics POP10-B1. kmart.com. [online PDF] 2 pages. Sep. 2015 [retrieved on Jul. 20, 2016] <http://www.kmart.com/star-micronics-mpop-pop10-b1-blk-us-cash/p-SPM7981812923> PDF URL: http://i.sears.com/s/d/pdf/mp-tc/10000001/prod_ec_1906567602.*

Primary Examiner — Susan Bennett Hattan

Assistant Examiner — Marie Fast Horse

(74) *Attorney, Agent, or Firm* — Lex IP Meister, PLLC

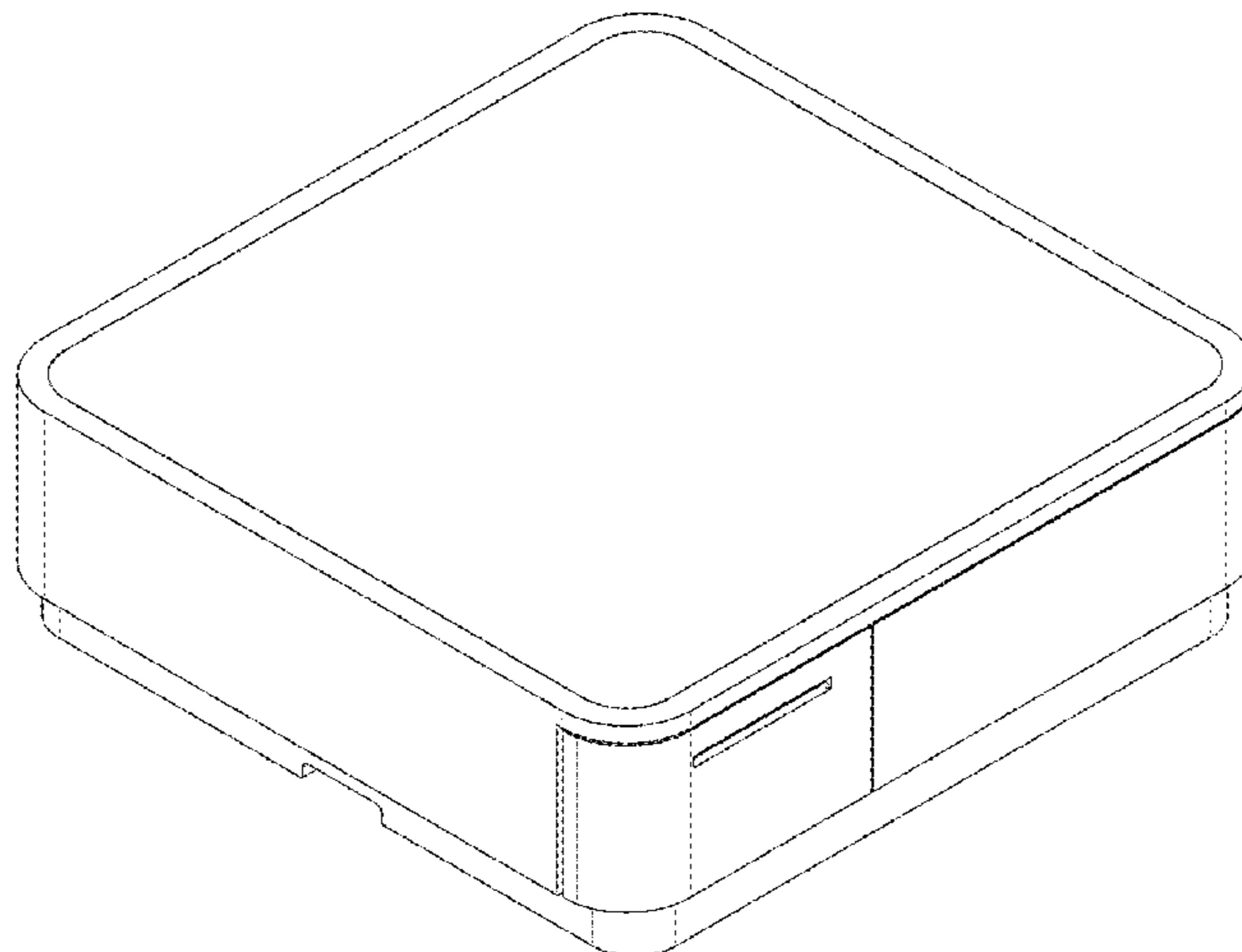
(57) **CLAIM**

The ornamental design for a cash drawer with printer, as shown and described.

DESCRIPTION

FIG. 1 is a perspective view of cash drawer with printer according to my new design;
FIG. 2 is an elevated front view thereof;
FIG. 3 is an elevated rear view thereof;
FIG. 4 is an elevated left-side view thereof;
FIG. 5 is an elevated right-side view thereof;
FIG. 6 is a top plan view thereof; and,
FIG. 7 is a bottom plan view thereof.
The broken lines in FIG. 4 and FIG. 7 depict parts of the cash drawer with printer that form no part of the claim.
The small rectangular surface immediately adjacent to the wedge shaped switch in FIG. 4 forms no part of the claim; and all surfaces shown between the broken and solid lines in FIG. 7 form no part of the claim.
The cash drawer with printer is comprised of a drawer unit on the right and a printer unit on the left.

1 Claim, 7 Drawing Sheets



(56)

References Cited

U.S. PATENT DOCUMENTS

D601,583 S *	10/2009	Andre	D14/496	D732,010 S *	6/2015	Hsiau	D14/240
D618,273 S *	6/2010	Sato	D18/4.4	D735,805 S *	8/2015	Haller	D18/46
D620,953 S *	8/2010	Andre	D14/203.3	D740,881 S *	10/2015	So	D18/50
D648,270 S *	11/2011	Jiang	D13/103	9,159,204 B2 *	10/2015	Yonemaru	G07G 1/0027
D649,541 S *	11/2011	Morenstein	D14/314	D744,483 S *	12/2015	Barbu	D14/358
D677,855 S *	3/2013	Eick	D99/35	D745,480 S *	12/2015	Mathews	D14/125
D686,065 S *	7/2013	Kuo	D9/432	D751,142 S *	3/2016	So	D18/50
D689,860 S *	9/2013	Chong	D14/368	2007/0095885 A1 *	5/2007	Liang	G07G 1/0018
D695,520 S *	12/2013	Edwards	D3/294					235/7 R
D697,964 S *	1/2014	Fukasawa	D18/55	2010/0171627 A1 *	7/2010	Takizawa	G07G 1/0027
D720,394 S *	12/2014	Heckler	D18/12.1					340/665
D722,109 S *	2/2015	Nanno	D18/50	2013/0020445 A1 *	1/2013	O'Kasick	F16M 11/24
D730,328 S *	5/2015	Chun	D14/230					248/49
					2015/0348376 A1 *	12/2015	Ting	G07G 1/0027
									235/7 R

* cited by examiner

FIG. 1

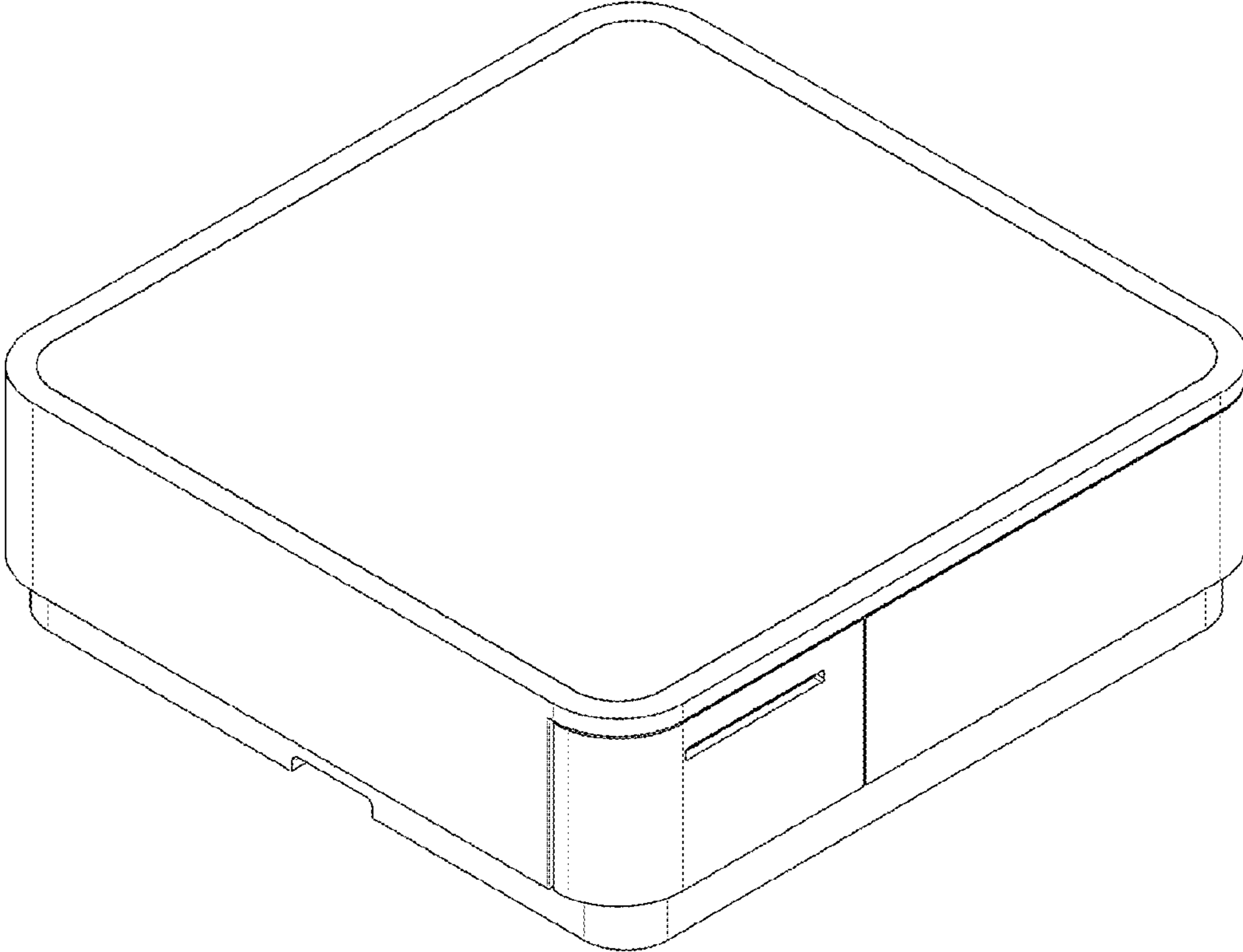


FIG. 2

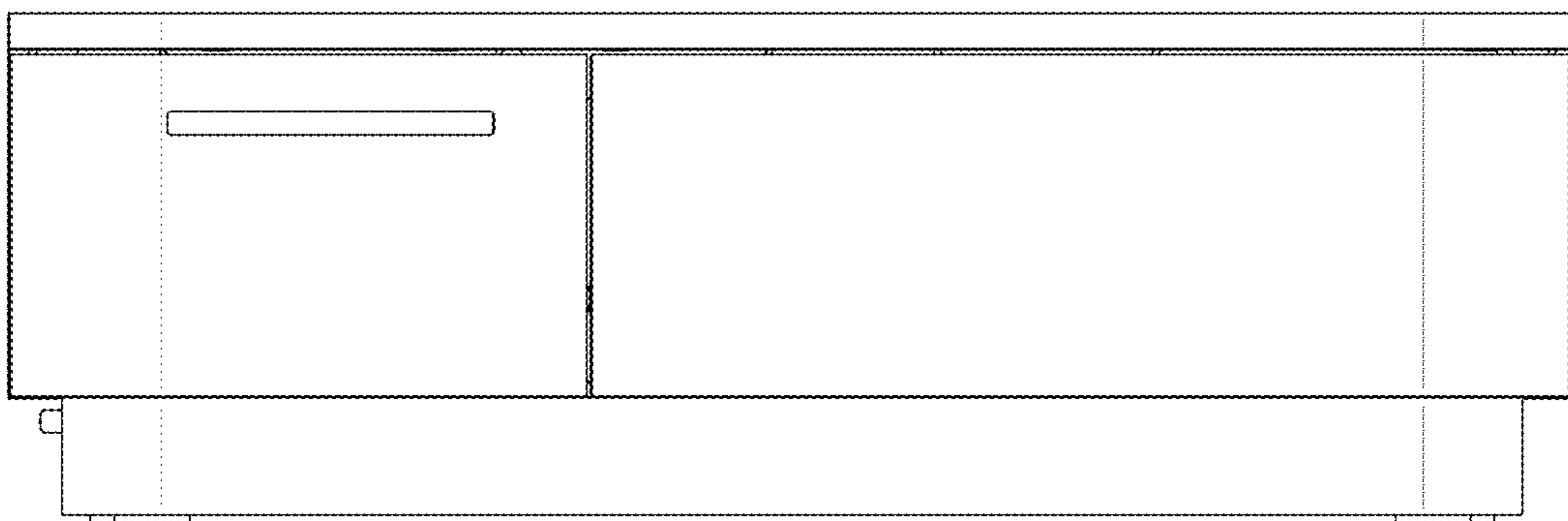


FIG. 3

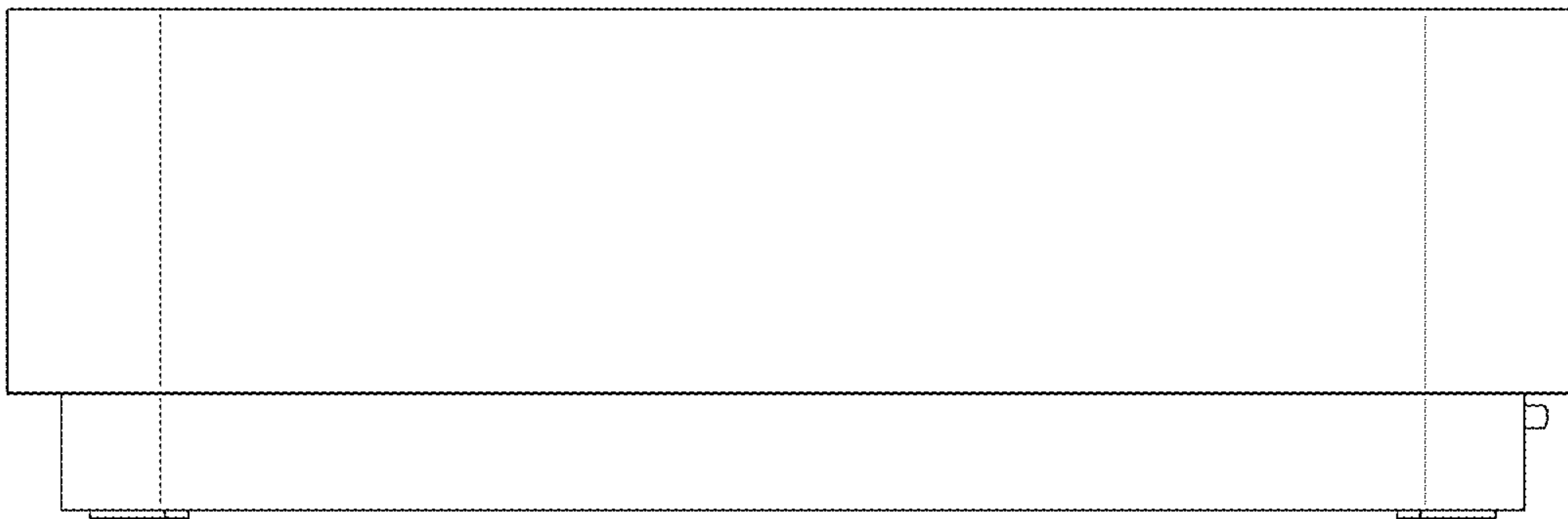


FIG. 4

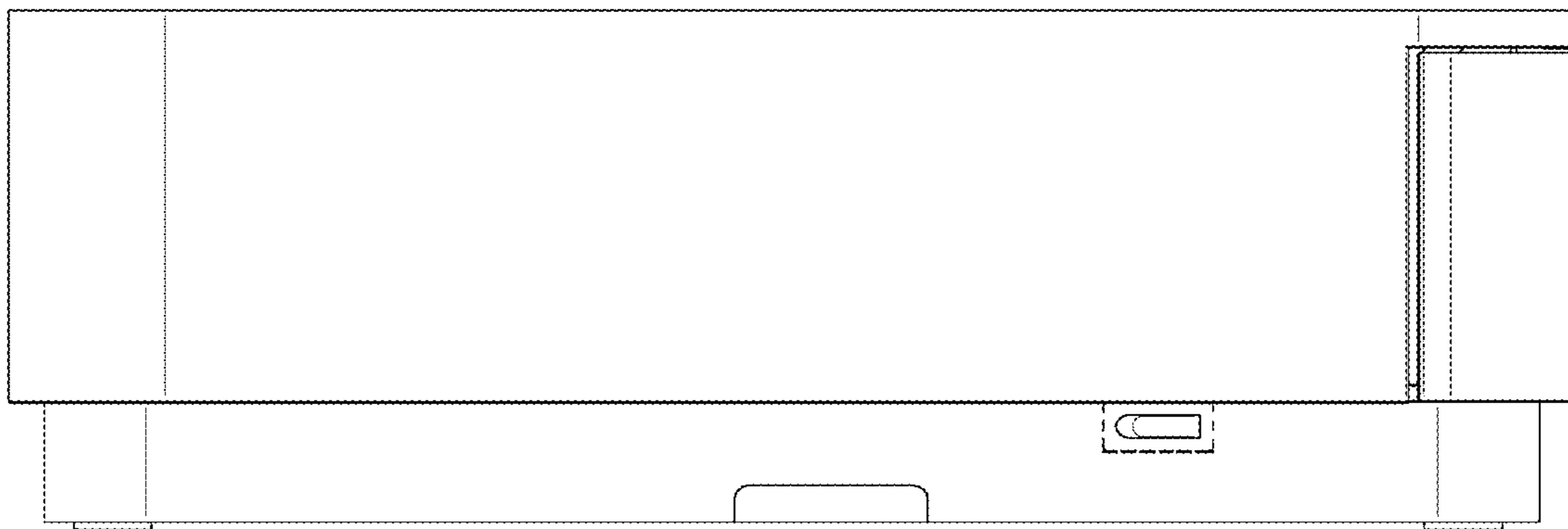


FIG. 5

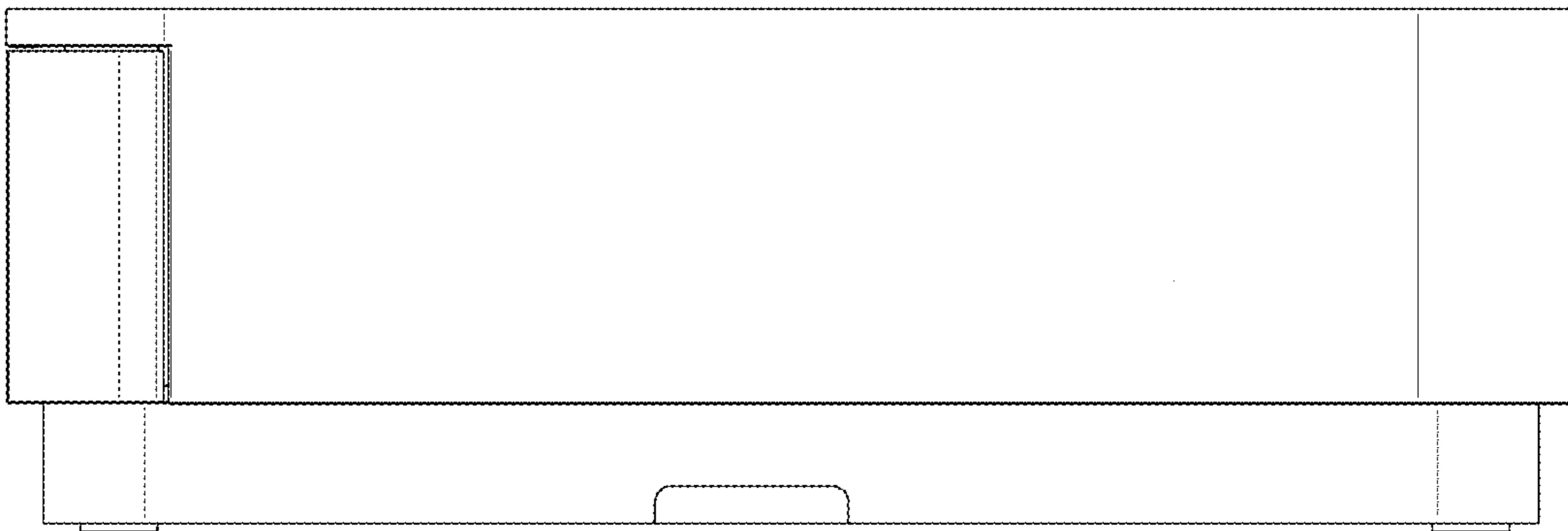


FIG. 6

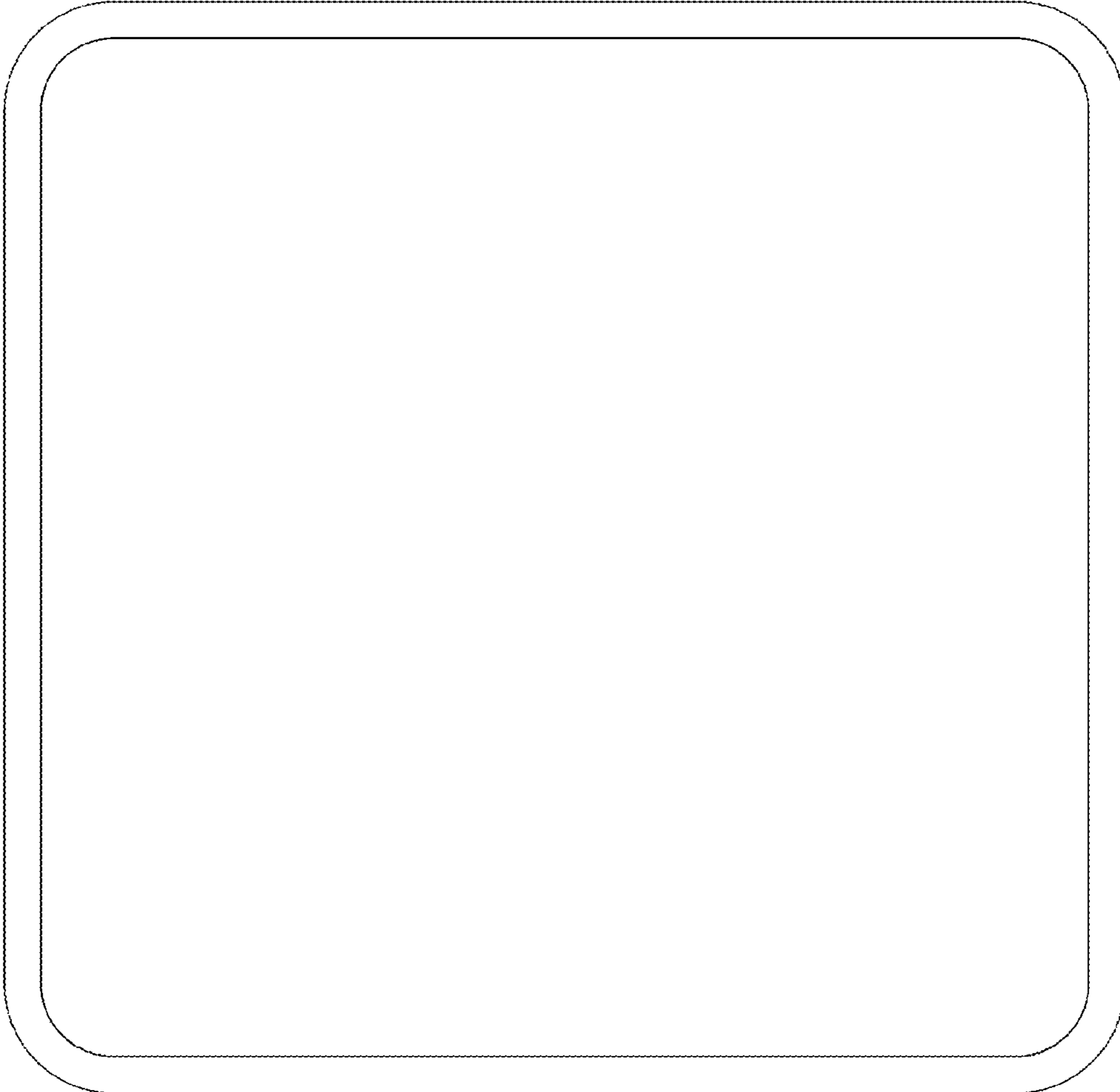


FIG. 7

