



US00D769363S

(12) **United States Design Patent** (10) **Patent No.:** **US D769,363 S**  
**Chou** (45) **Date of Patent:** **\*\* Oct. 18, 2016**

(54) **ROSIN BOX FOR STRINGED INSTRUMENTS**

D718,148 S \* 11/2014 Marret ..... D9/717  
D732,956 S \* 6/2015 Brown ..... D9/447  
2011/0132784 A1\* 6/2011 Da'Quisto, II ..... B65D 85/04  
206/314

(71) Applicant: **Tse-Ching Chou**, Taipei (TW)

(72) Inventor: **Tse-Ching Chou**, Taipei (TW)

(\*\*) Term: **15 Years**

(21) Appl. No.: **29/534,267**

(22) Filed: **Jul. 28, 2015**

(51) **LOC (10) Cl.** ..... **17-03**

(52) **U.S. Cl.**  
USPC ..... **D17/20**

(58) **Field of Classification Search**  
USPC ..... D3/20, 204, 304, 314; D6/532; D9/440,  
D9/444, 447, 452, 715, 717; D17/13, 24,  
D17/99; D23/266; 206/314; 220/212, 713  
CPC ..... G10G 7/00  
See application file for complete search history.

(56) **References Cited**

**U.S. PATENT DOCUMENTS**

1,578,484 A \* 3/1926 Thomas ..... G01N 1/04  
73/863.81  
1,632,247 A \* 6/1927 Smith ..... A01G 23/14  
16/429  
2,259,035 A \* 10/1941 Gillican ..... B65D 5/563  
206/447  
2,585,187 A \* 2/1952 Taylor ..... G10D 3/16  
401/88  
D247,196 S \* 2/1978 Mikosz ..... D3/204  
D270,896 S \* 10/1983 Bailod ..... D3/304  
4,448,560 A \* 5/1984 Monaco, Jr. .... A63B 71/00  
206/205  
4,515,272 A \* 5/1985 Newhouse ..... B65D 81/022  
206/591

**OTHER PUBLICATIONS**

Artland. Violin Viola Cello Golden Power Rosin Violin Shape  
Wooden Box. 2016 [online], [site visited Apr. 1, 2016]. Available  
from Internet, <URL:http://artlandgroup.en.made-in-china.com/  
productimage/QKcmaByEgHhb-2f1j00lKfECPQagybO/China-  
Violin-Viola-Cello-Golden-Power-Rosin-Violin-Shape-Wooden-  
Box.html>.\*

\* cited by examiner

*Primary Examiner* — Robert M Spear  
*Assistant Examiner* — Darcey E Heflin

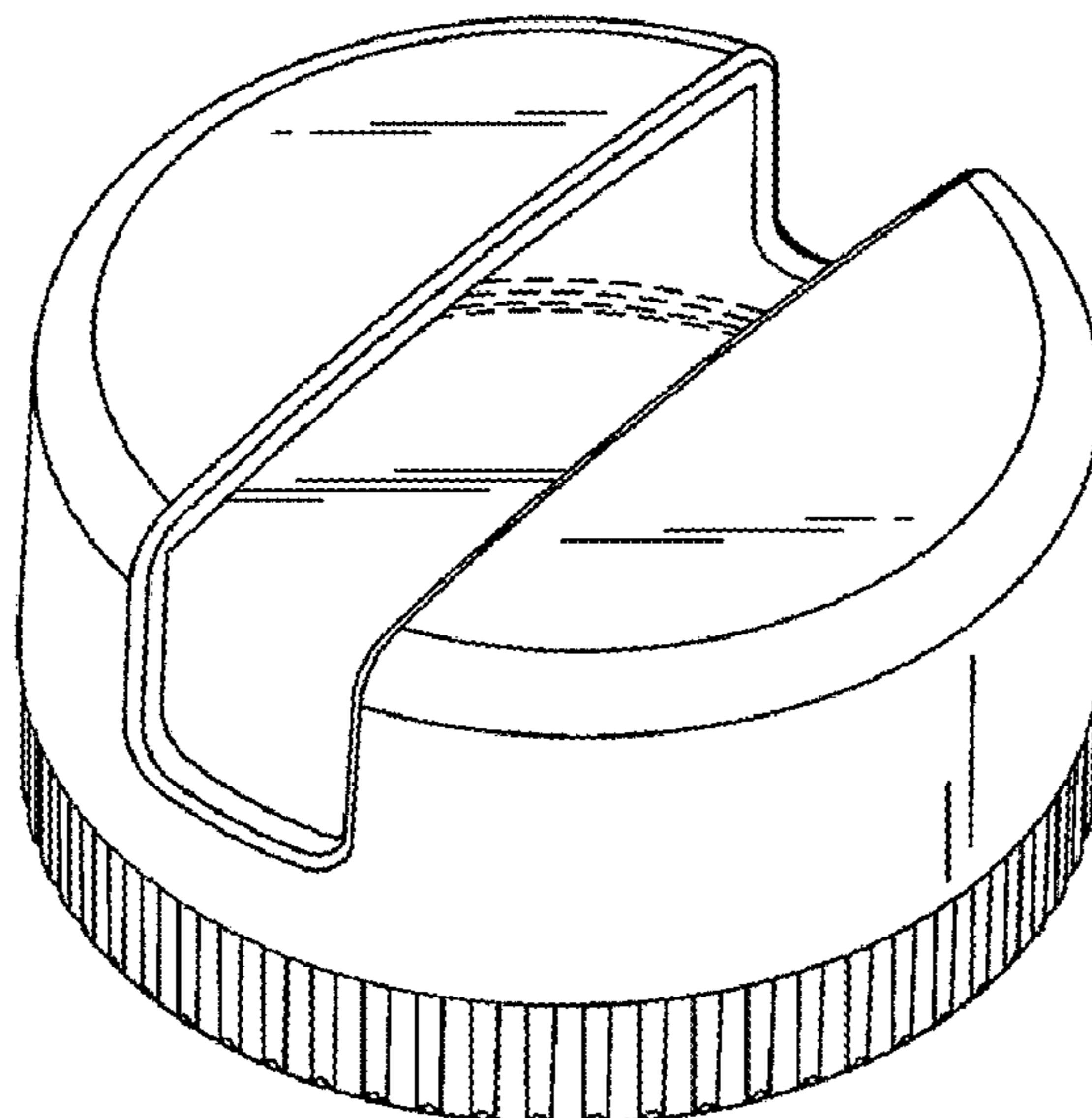
(57) **CLAIM**

The ornamental design for a rosin box for stringed instru-  
ments, as show and described.

**DESCRIPTION**

FIG. 1 is a perspective view of a rosin box for stringed  
instruments showing my new design;  
FIG. 2 is a front elevation view thereof;  
FIG. 3 is a rear elevation view thereof;  
FIG. 4 is a left side elevation view thereof;  
FIG. 5 is a right side elevation view thereof;  
FIG. 6 is a top plan view thereof; and,  
FIG. 7 is a bottom plan view thereof.  
The broken line portion of the figure drawings is included to  
show unclaimed subject matter only and forms no part of the  
claimed design.

**1 Claim, 4 Drawing Sheets**



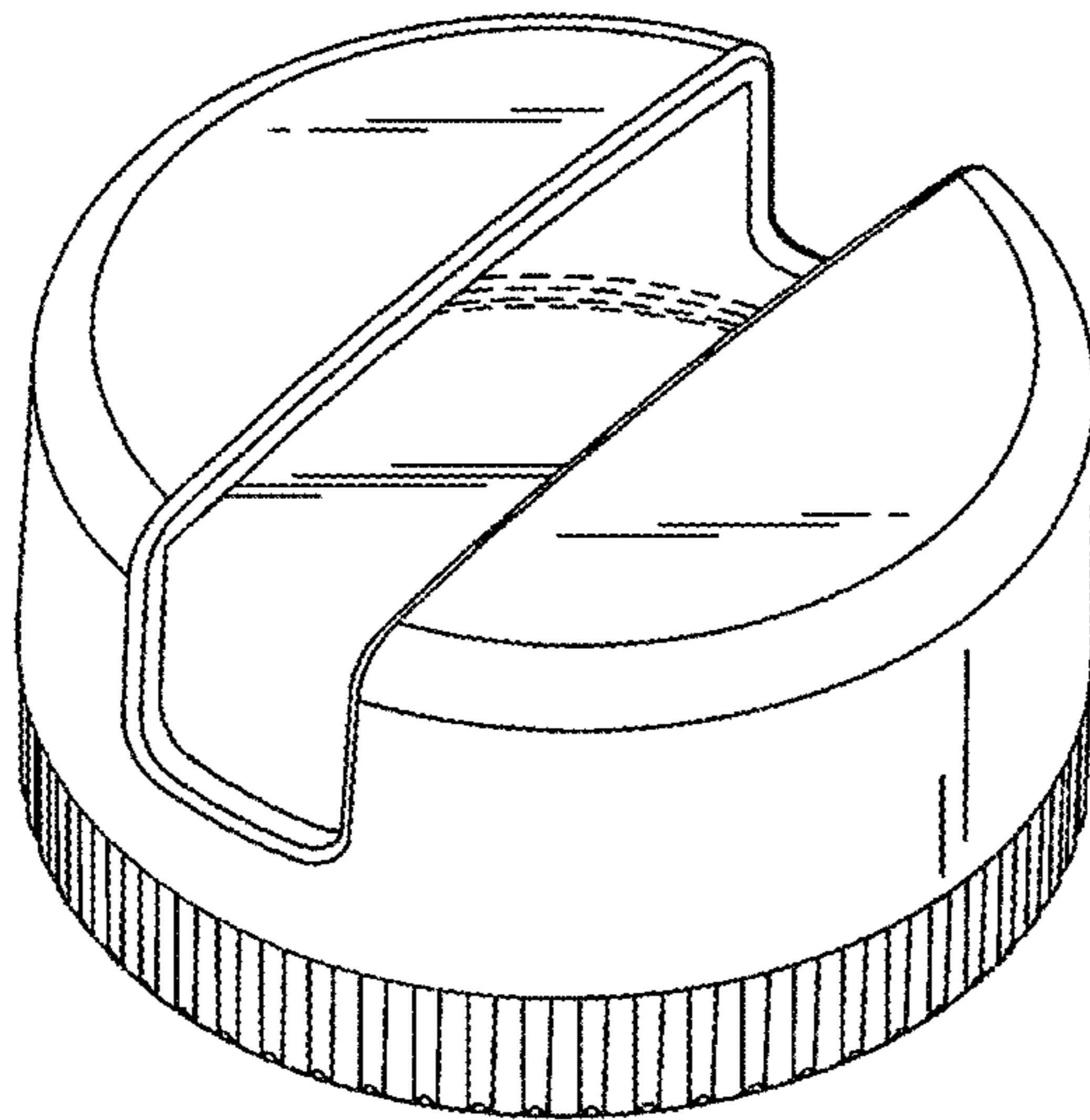


FIG. 1

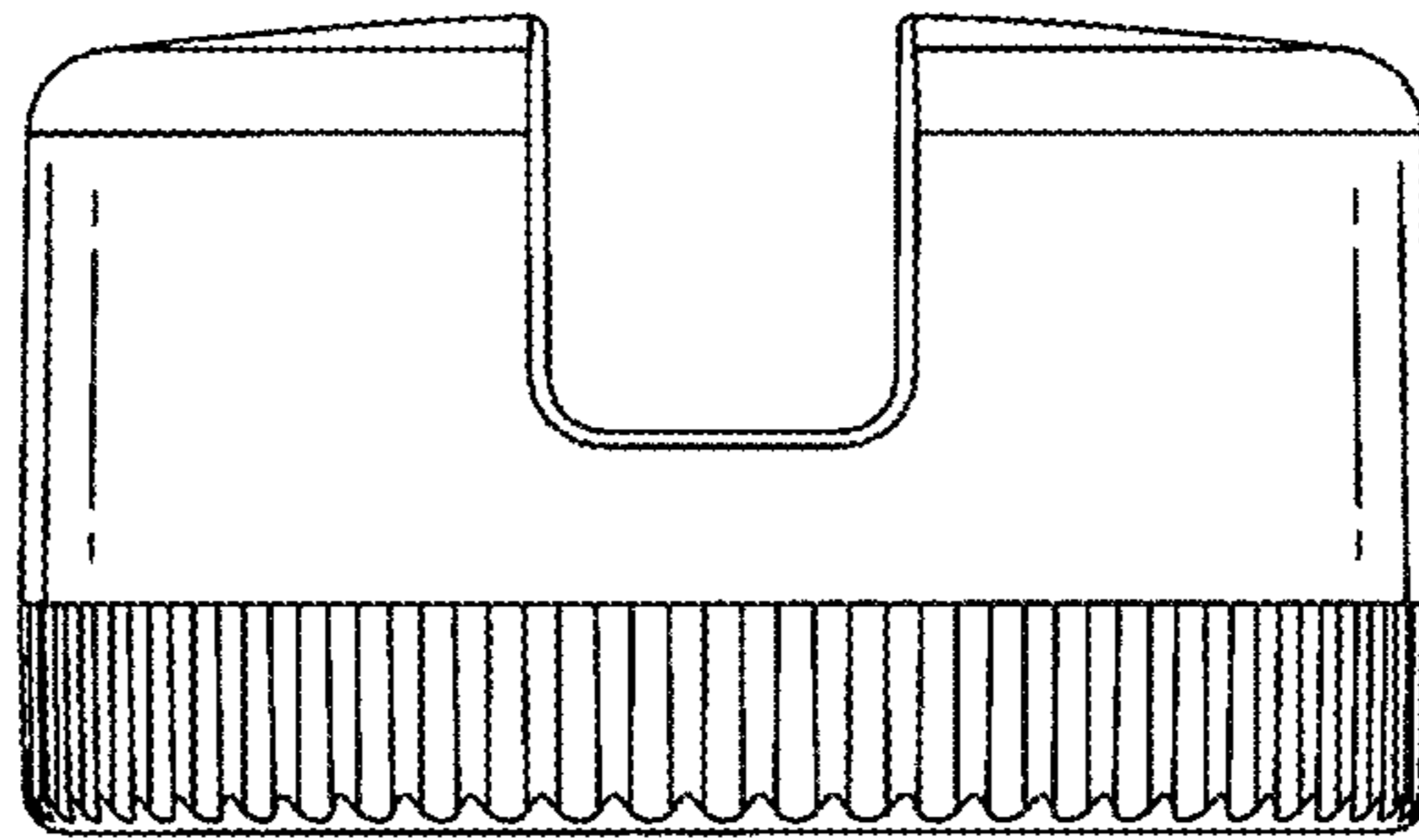


FIG. 2

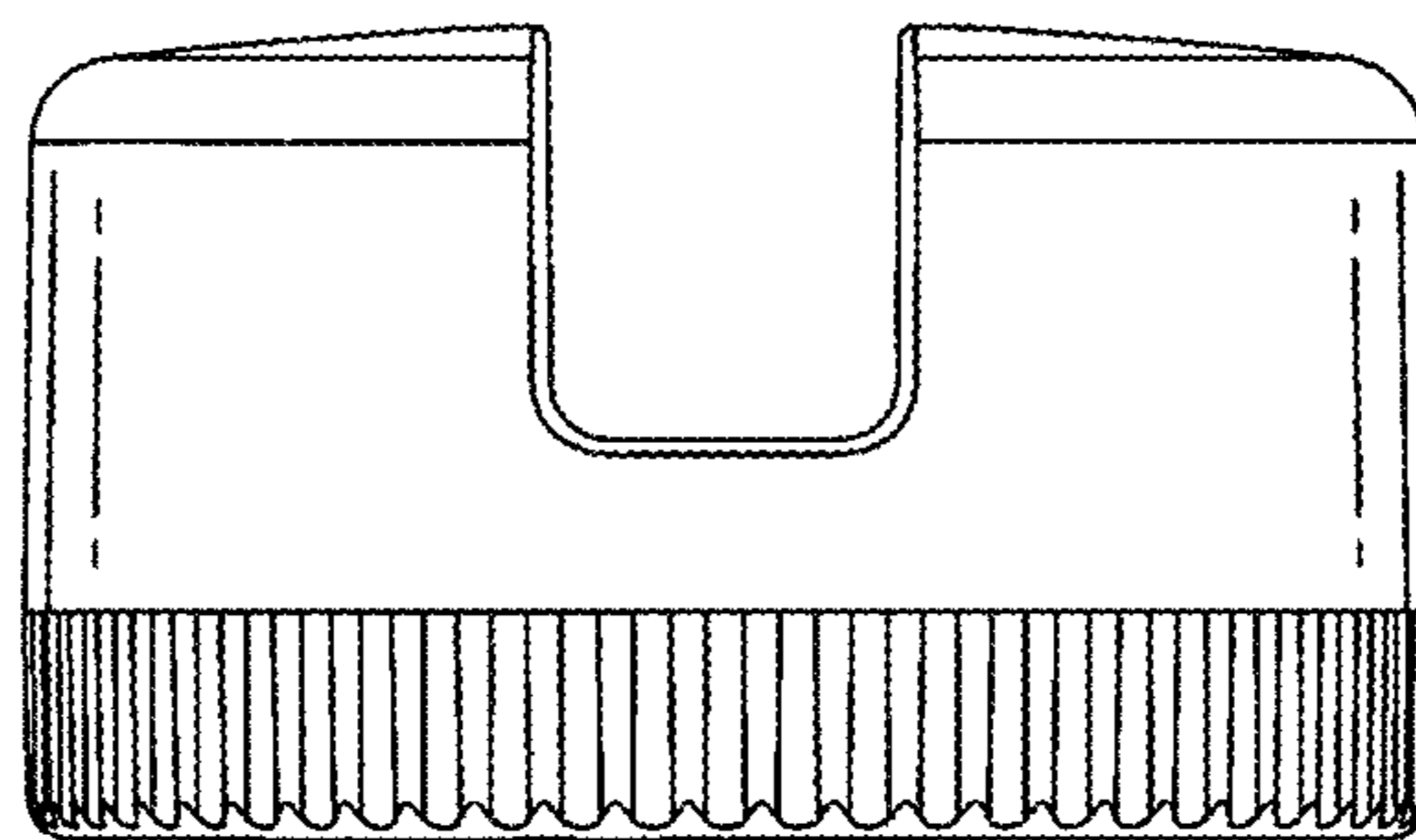


FIG. 3

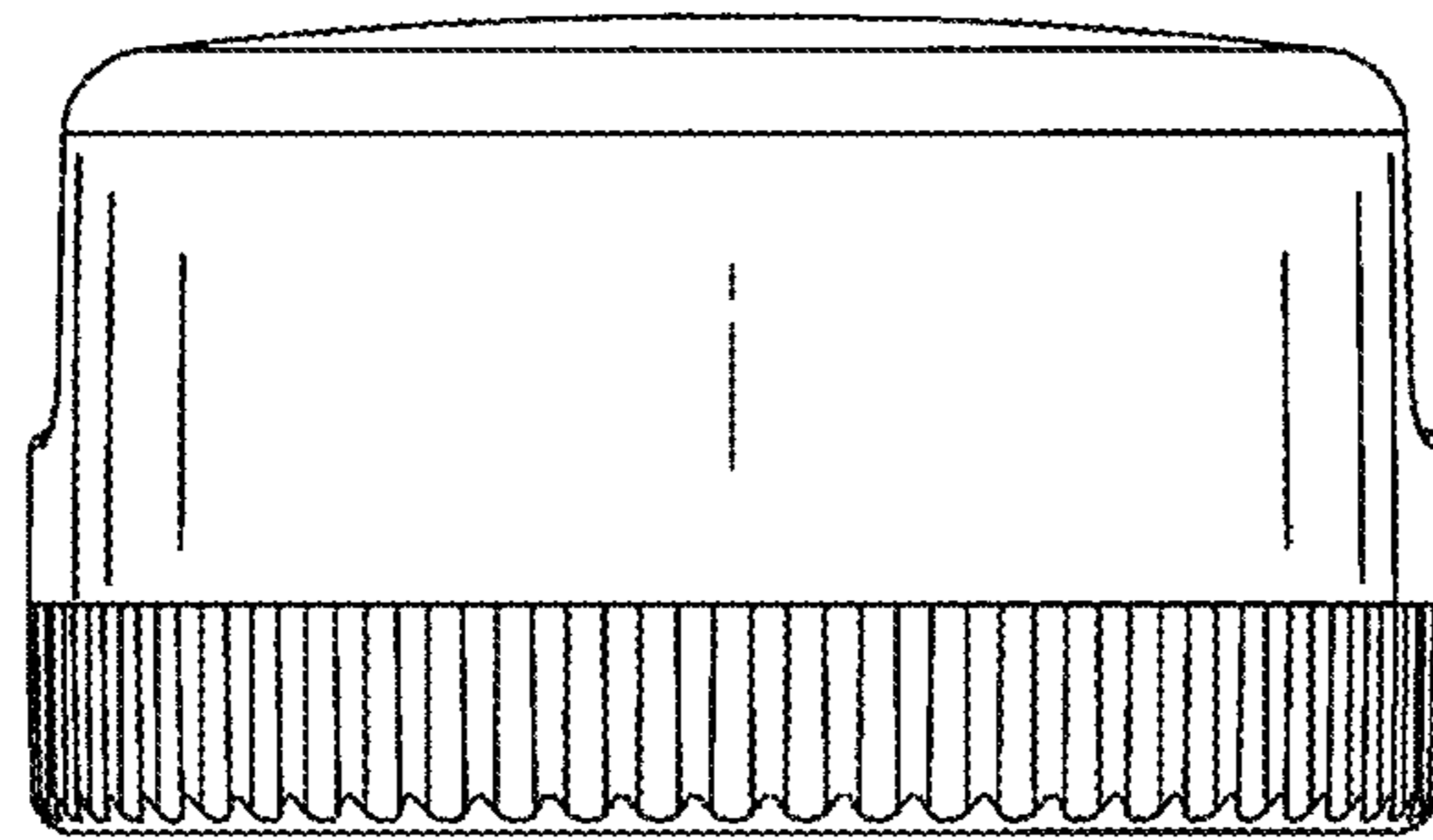


FIG. 4

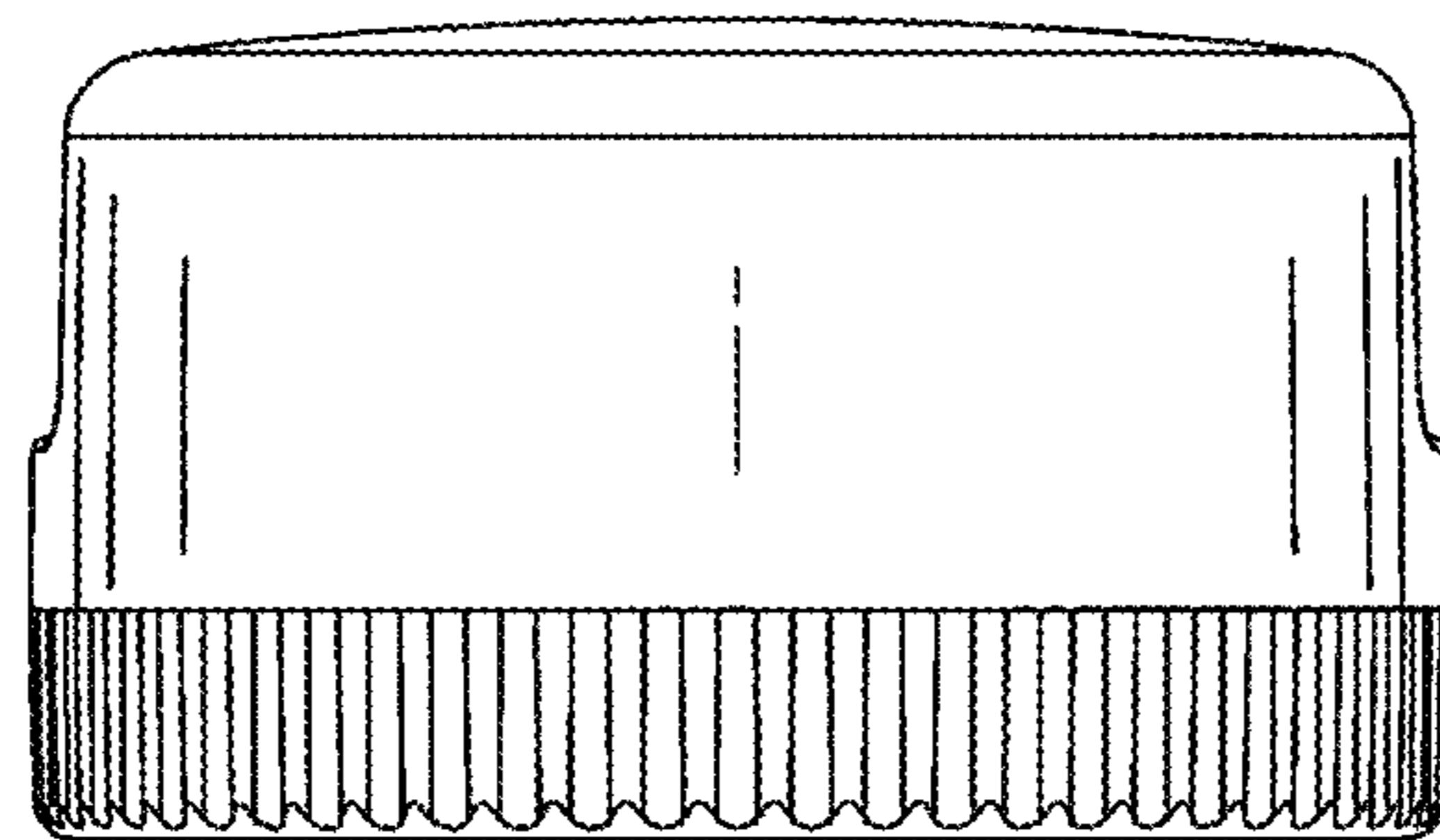


FIG. 5

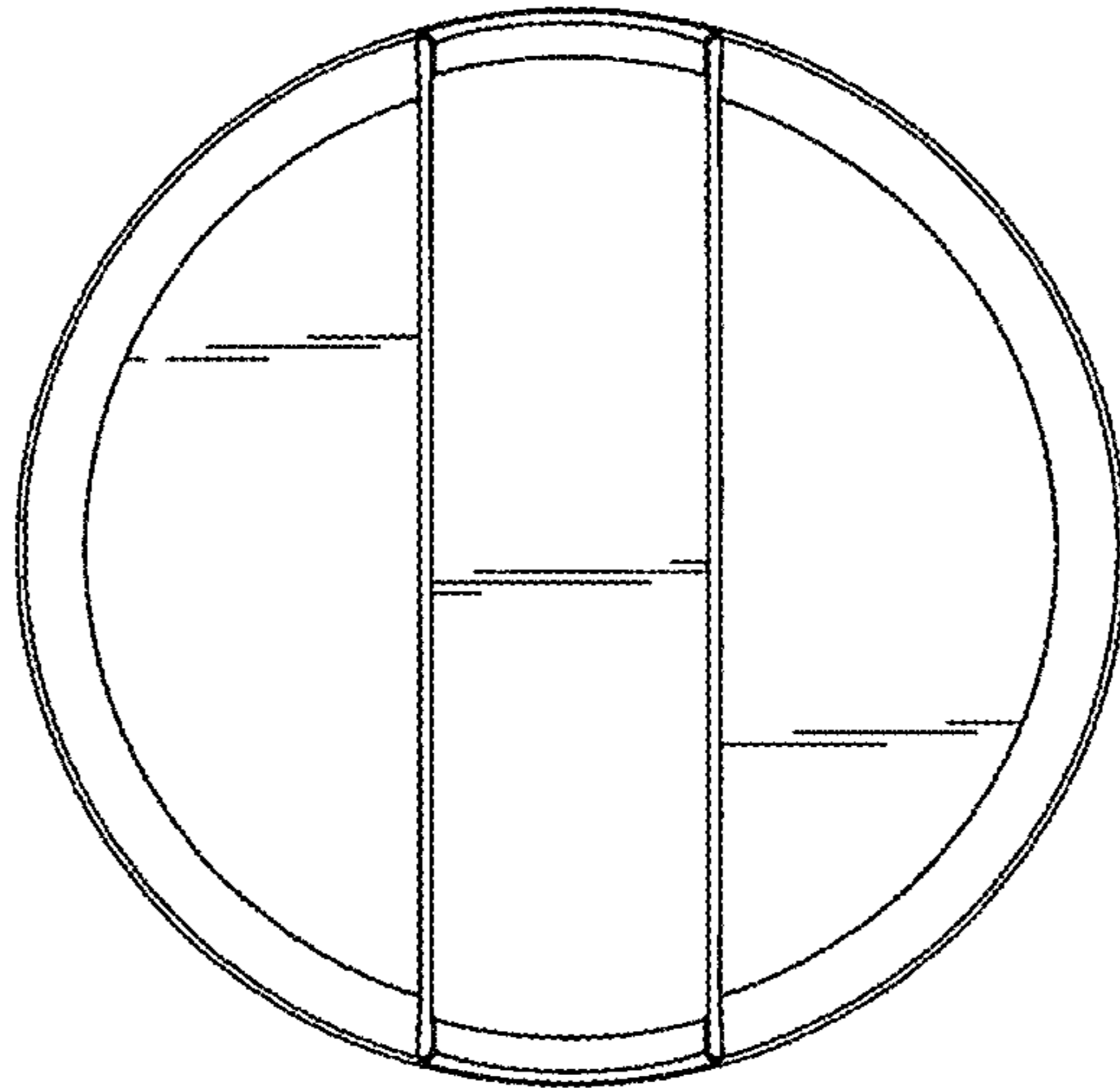


FIG. 6

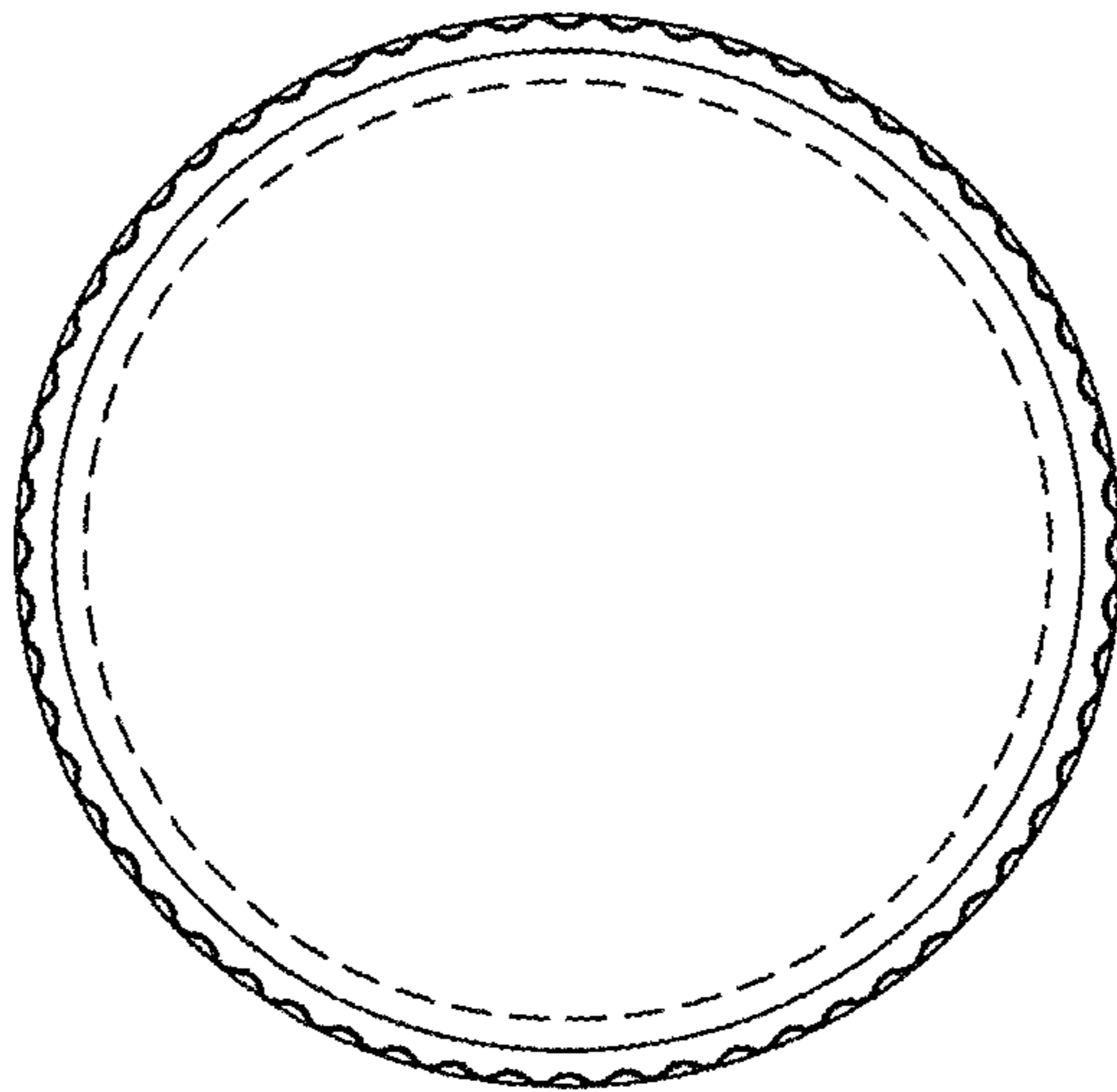


FIG. 7