



US00D769350S

(12) **United States Design Patent** (10) **Patent No.:** **US D769,350 S**
Orzeck et al. (45) **Date of Patent:** **** Oct. 18, 2016**

(54) **SPORT GOGGLE**
(71) Applicant: **ABOMINABLE LABS, LLC**, Lake Oswego, OR (US)
(72) Inventors: **Toren P. B. Orzeck**, Portland, OR (US); **Eric D. Groner**, Portland, OR (US); **Tanner G. Alberts**, Beaverton, OR (US)
(73) Assignee: **ABOMINABLE LABS, LLC**, Lake Oswego, OR (US)
(**) Term: **15 Years**
(21) Appl. No.: **29/539,997**
(22) Filed: **Sep. 18, 2015**
(51) **LOC (10) Cl.** **16-06**
(52) **U.S. Cl.**
USPC **D16/312**
(58) **Field of Classification Search**
USPC D16/101, 300-342, 900; D29/109-110; D21/483, 659-661; D14/372; 351/41, 351/44, 45-48, 51-52, 62, 158, 92, 351/103-123, 140-153, 63, 59; 2/13, 15, 2/426-432, 447-449, 441, 434-437
CPC G02C 2200/08; G02C 1/06; G02C 5/14; G02C 11/02; G02C 11/04; G02C 5/16; G02C 2200/22; G02C 5/146; G02C 5/2254; G02C 5/008; G01C 5/16; A61M 2021/0044; A63B 33/002
See application file for complete search history.

(56) **References Cited**

U.S. PATENT DOCUMENTS

D327,490 S * 6/1992 Wilson D16/312
D335,365 S * 5/1993 Sato D24/110.2
D367,875 S * 3/1996 Lutz D16/311
D368,107 S * 3/1996 Lutz D16/311
6,047,410 A * 4/2000 Dondero A61F 9/027
2/426
D427,225 S * 6/2000 Arnette D16/312

D484,171 S * 12/2003 Urabe D16/312
D484,524 S * 12/2003 Wiedner D16/312
D488,182 S * 4/2004 Sheldon D16/312
D503,422 S * 3/2005 Canavan D16/101
D505,444 S * 5/2005 Borlet D16/312
D510,378 S * 10/2005 Dondero D16/312
D536,021 S * 1/2007 Chou D16/312
D538,834 S * 3/2007 Mangum D16/312

(Continued)

OTHER PUBLICATIONS

F-Bom Goggles. Retrieved from the internet on Aug. 30, 2016 at [http://www.abom.com/], 11 Pages.*

(Continued)

Primary Examiner — Rosemary K Tarcza
Assistant Examiner — Sanjeev Paul
(74) *Attorney, Agent, or Firm* — Howard Russell

(57) **CLAIM**

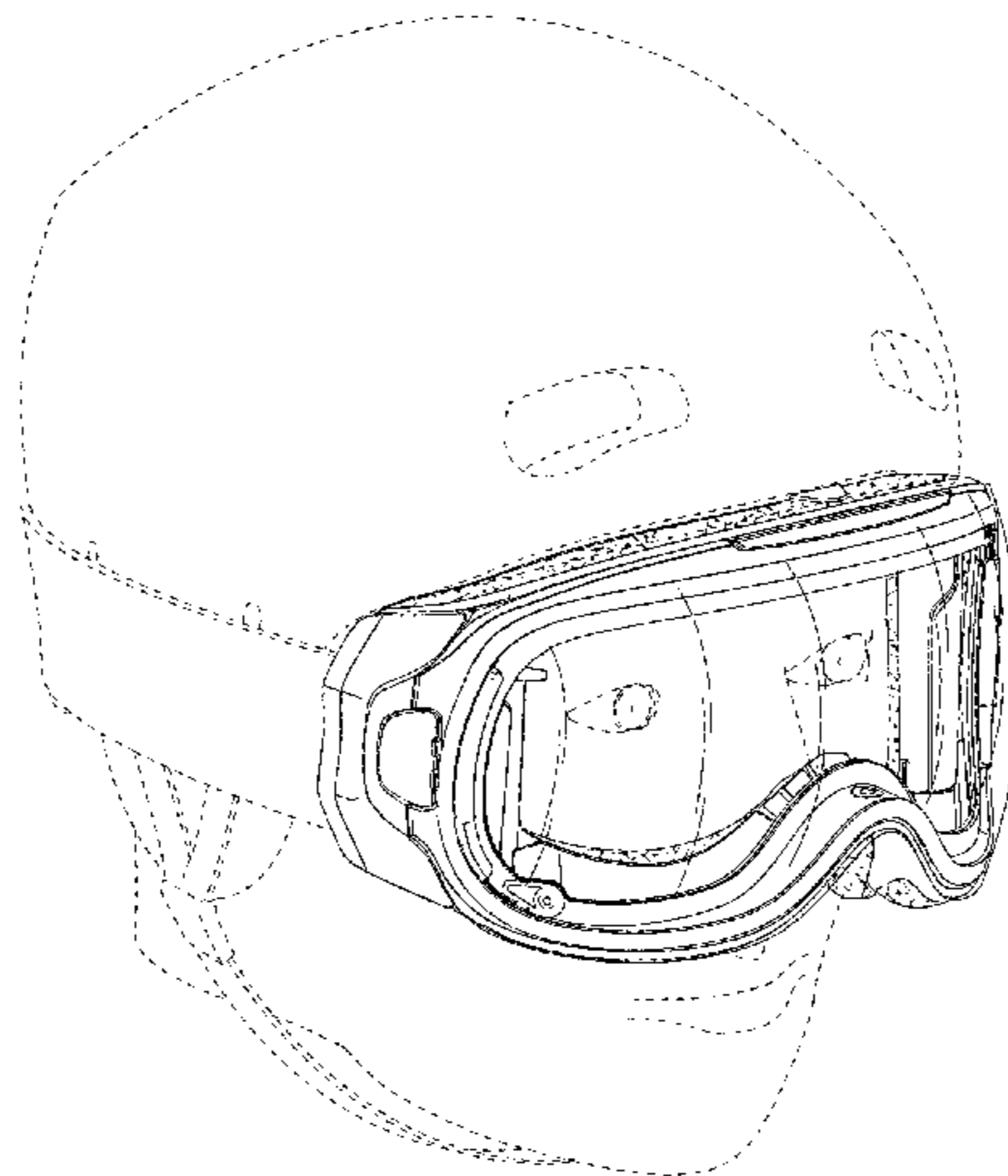
The ornamental design for a sport goggle, as shown and described.

DESCRIPTION

FIG. 1 is a front perspective view of a sport goggle showing our design in a position of use.
FIG. 2 is a front perspective view thereof;
FIG. 3 is a rear perspective view thereof;
FIG. 4 is a front elevation view thereof;
FIG. 5 is a left-side elevation view thereof;
FIG. 6 is a right-side elevation view thereof;
FIG. 7 is a top plan view thereof;
FIG. 8 is a bottom plan view thereof; and,
FIG. 9 a back elevation view thereof.

The broken lines showing the head and helmet in FIG. 1 are included for the purpose of illustrating environmental structure and form no part of the claimed design. The broken lines showing the sport goggle strap in FIGS. 1-8 are included for the purpose of illustrating unclaimed portions of the sport goggle and form no part of the claimed design.

1 Claim, 9 Drawing Sheets



(56)

References Cited

U.S. PATENT DOCUMENTS

D541,328 S * 4/2007 Saderholm D16/312
 D542,327 S * 5/2007 Hsu D16/312
 D542,829 S * 5/2007 Hsu D16/312
 D542,830 S * 5/2007 Hsu D16/312
 D544,900 S * 6/2007 Li D16/312
 D547,354 S * 7/2007 Fuchs D16/312
 D547,788 S * 7/2007 Cheng D16/311
 D549,267 S * 8/2007 Chen D16/312
 D551,278 S * 9/2007 Moritz D16/312
 D551,280 S * 9/2007 Li D16/312
 D552,662 S * 10/2007 Woxing D16/312
 D556,238 S * 11/2007 Yang D16/312
 D556,812 S * 12/2007 Wang-Lee D16/312
 D581,964 S * 12/2008 Hooper D16/311
 D592,694 S * 5/2009 Fuchs D16/312
 D608,816 S * 1/2010 Wang-Lee D16/312
 D609,265 S * 2/2010 Wang-Lee D16/312
 D610,602 S * 2/2010 Yun D16/312
 D620,039 S * 7/2010 Cyr D16/311
 D620,969 S * 8/2010 Cyr D16/312
 D626,166 S * 10/2010 Yang D16/312
 D626,987 S * 11/2010 Yang D16/312
 D629,442 S * 12/2010 Tominaga D16/312
 D633,937 S * 3/2011 Yasuhara D16/312
 D640,724 S * 6/2011 Goodman D16/312
 D649,178 S * 11/2011 Moritz D16/312
 D669,113 S * 10/2012 Sandor D16/309
 D670,753 S * 11/2012 Chen D16/312
 8,316,470 B2 11/2012 McNeal et al.
 8,356,895 B2 1/2013 Jackson et al.
 D678,932 S * 3/2013 Moritz D16/312
 D687,479 S * 8/2013 Moritz D16/312
 D695,335 S * 12/2013 Goodman D16/312
 D704,249 S * 5/2014 Orzeck D16/309
 D711,961 S * 8/2014 Arnette D16/312
 D714,378 S * 9/2014 Sandor D16/313

D715,350 S * 10/2014 Moritz D16/312
 D718,369 S * 11/2014 Janavicius D16/312
 D723,094 S * 2/2015 Chen D16/312
 D727,398 S * 4/2015 Blanchard D16/312
 D747,758 S * 1/2016 Lee D16/312
 D761,344 S * 7/2016 Chen D16/312
 2003/0110552 A1 * 6/2003 Youmans A61F 9/028
 2/426
 2003/0233702 A1 * 12/2003 Chen A61F 9/027
 2/428
 2007/0169252 A1 * 7/2007 Rayl A61F 9/028
 2/435
 2008/0316421 A1 * 12/2008 Wang A61F 9/025
 351/62
 2009/0100577 A1 * 4/2009 Kobayashi A61F 9/02
 2/436
 2011/0296596 A1 * 12/2011 Chen A61F 9/028
 2/436
 2012/0236250 A1 * 9/2012 Yang G02C 7/02
 351/62
 2012/0324638 A1 12/2012 Tobia
 2013/0185849 A1 * 7/2013 Laughlin A61F 9/025
 2/431
 2015/0202087 A1 * 7/2015 Chen A61F 9/026
 2/431
 2015/0290036 A1 * 10/2015 Wang-Lee A61F 9/026
 2/428
 2015/0320600 A1 * 11/2015 Blanchard A61F 9/025
 2/431

OTHER PUBLICATIONS

F-Bom Goggles. Retrieved from the internet on Aug. 8, 2016 at [http://www.abom.com/], 11 Pages. Internet Archive, dated Oct. 1, 2014. [https://web.archive.org/web/20141001024017/http://www.abom.com/].*

* cited by examiner

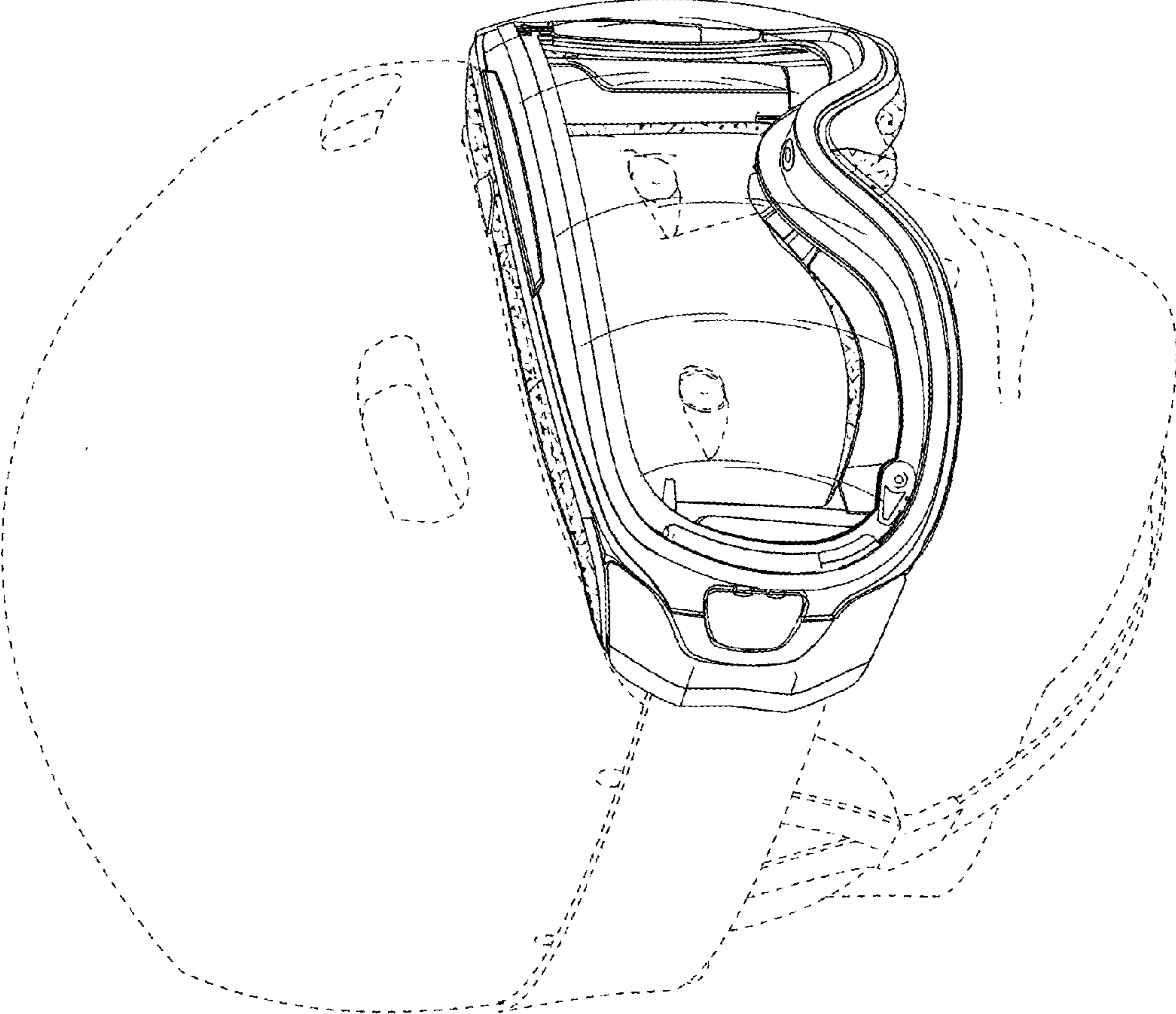


FIG. 1

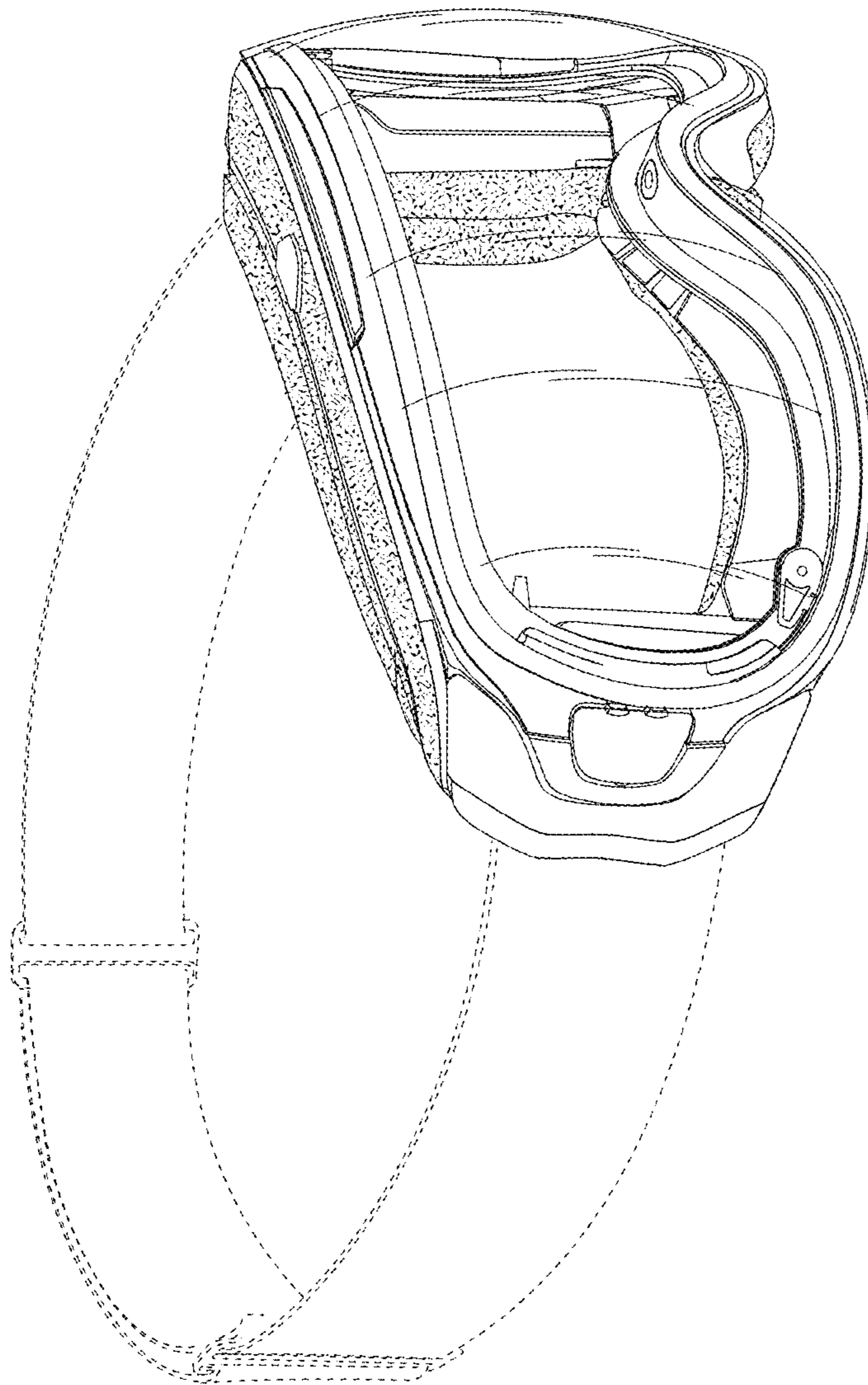


FIG. 2

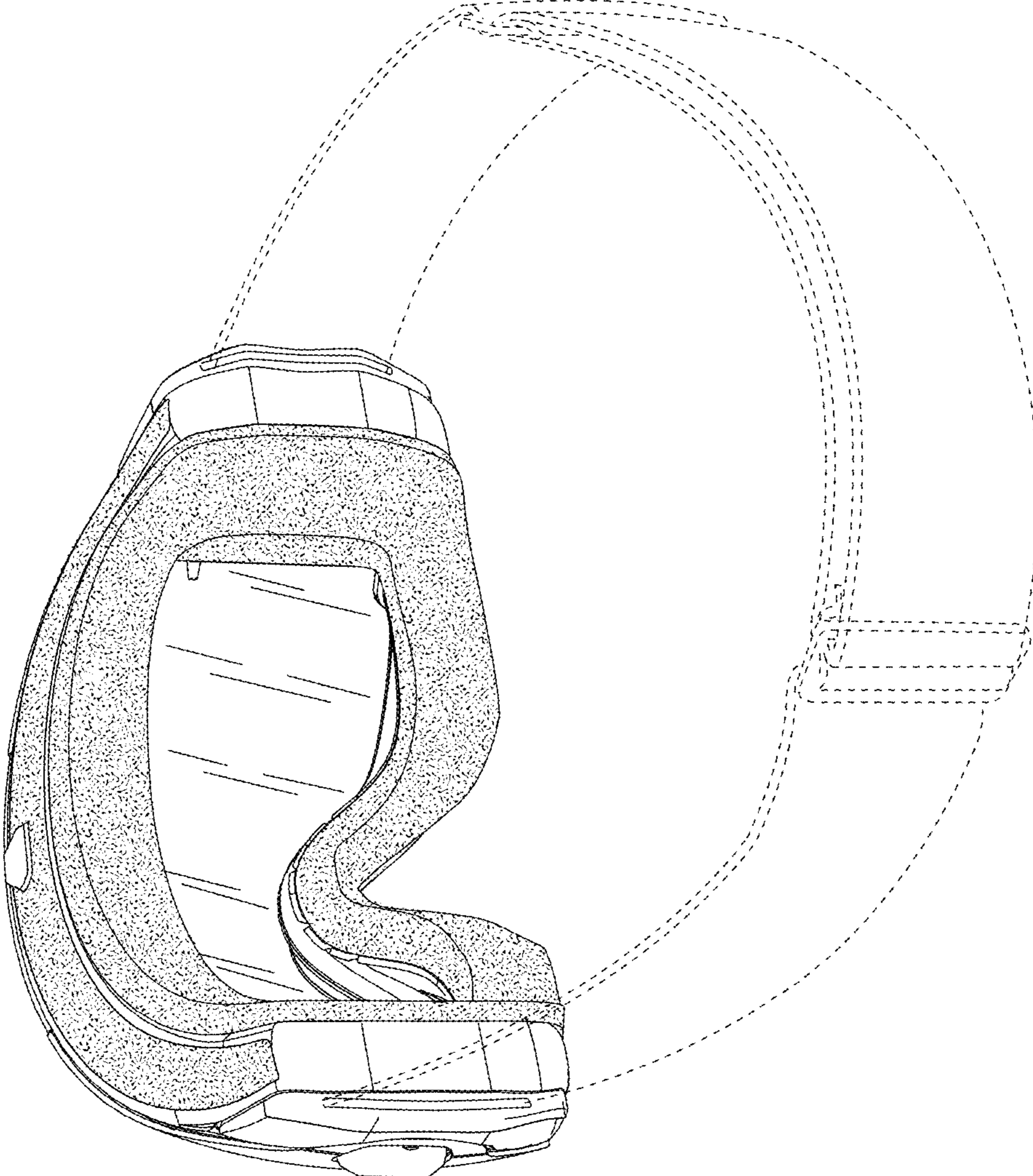


FIG. 3

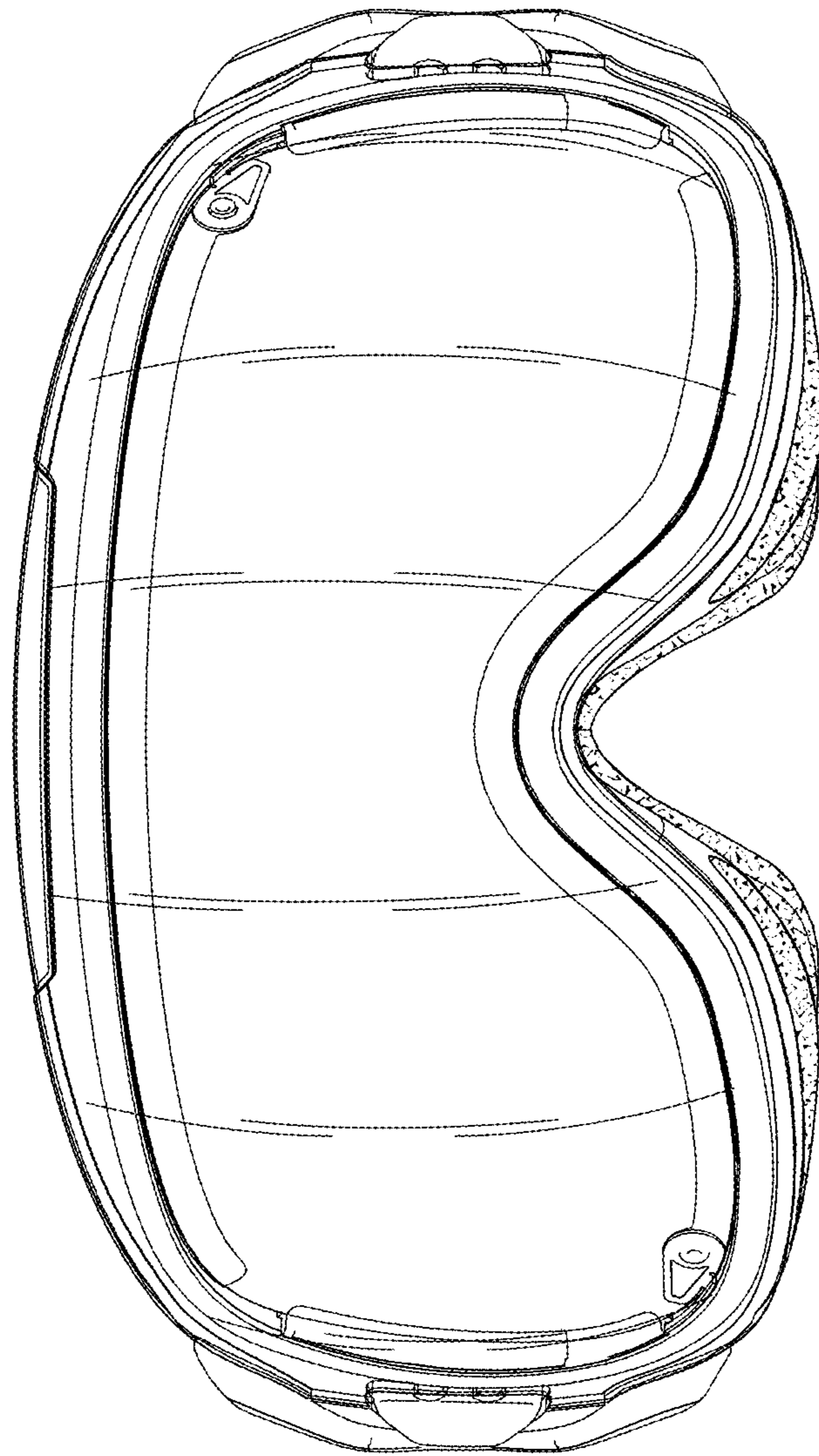


FIG. 4

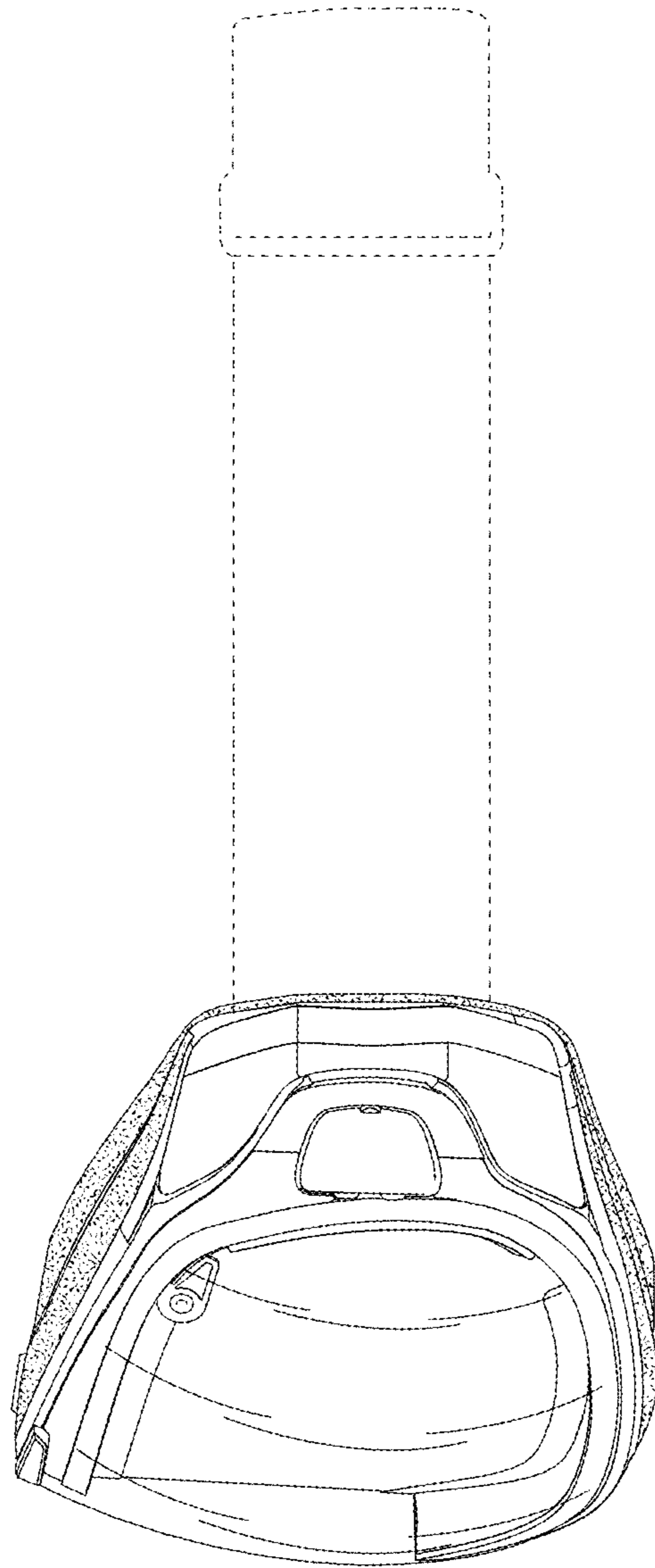


FIG. 5

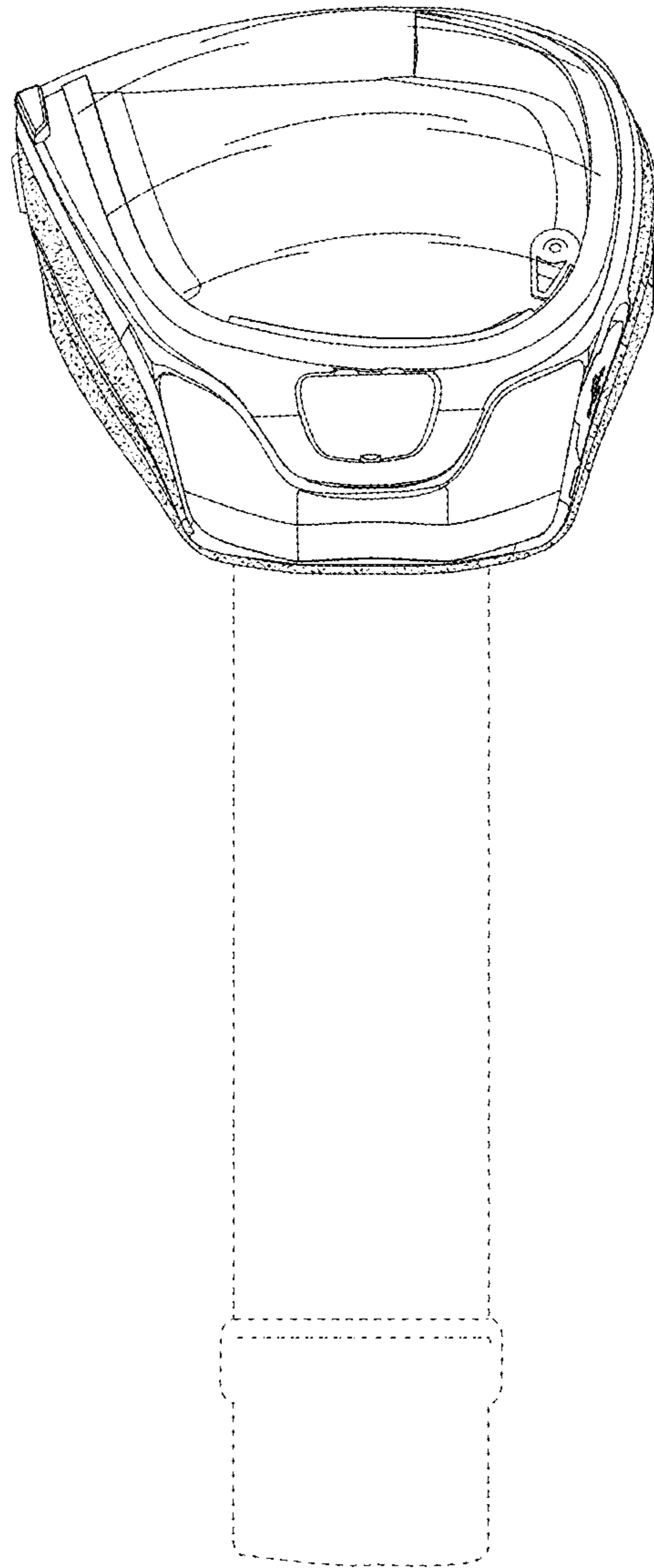


FIG. 6

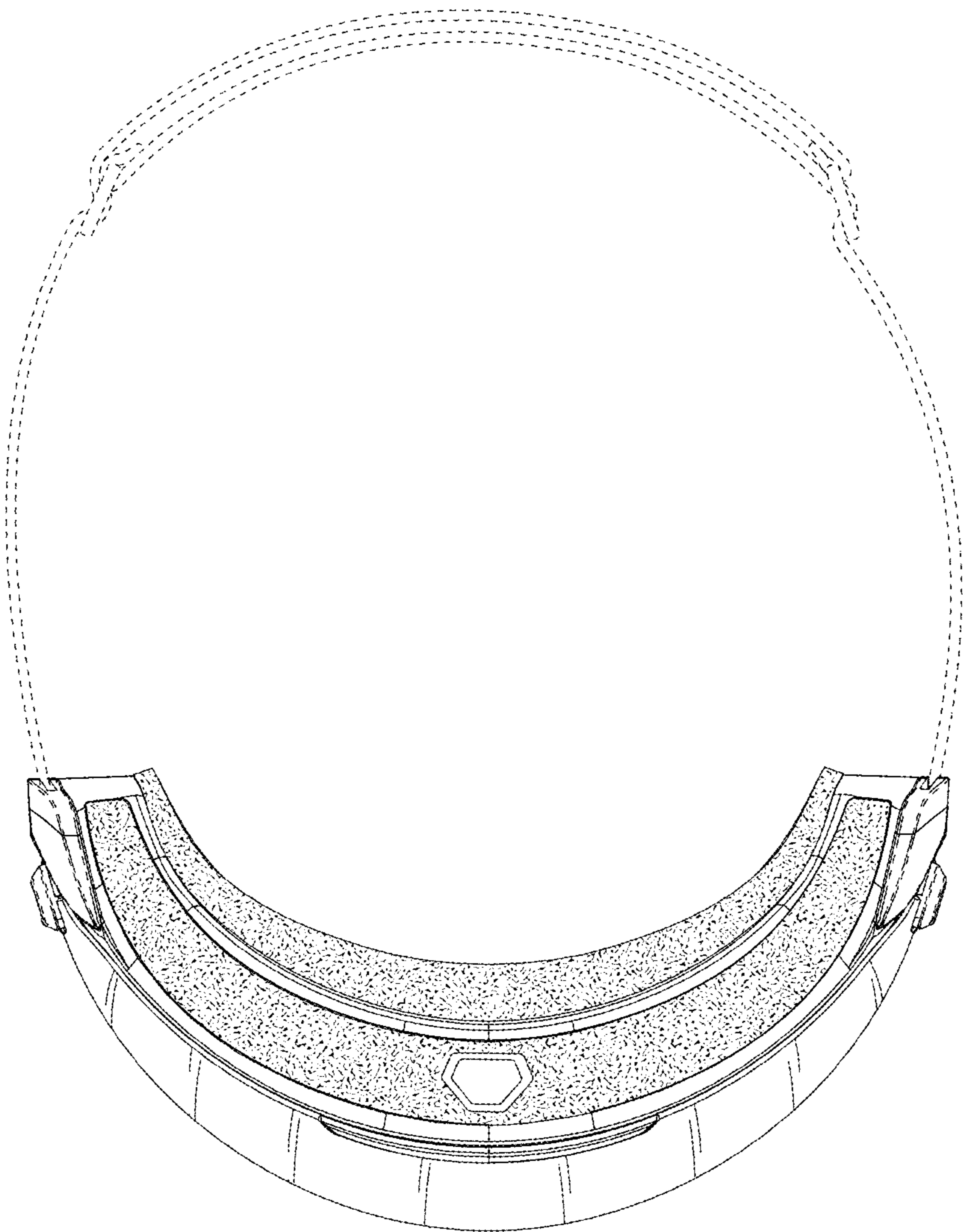


FIG. 7

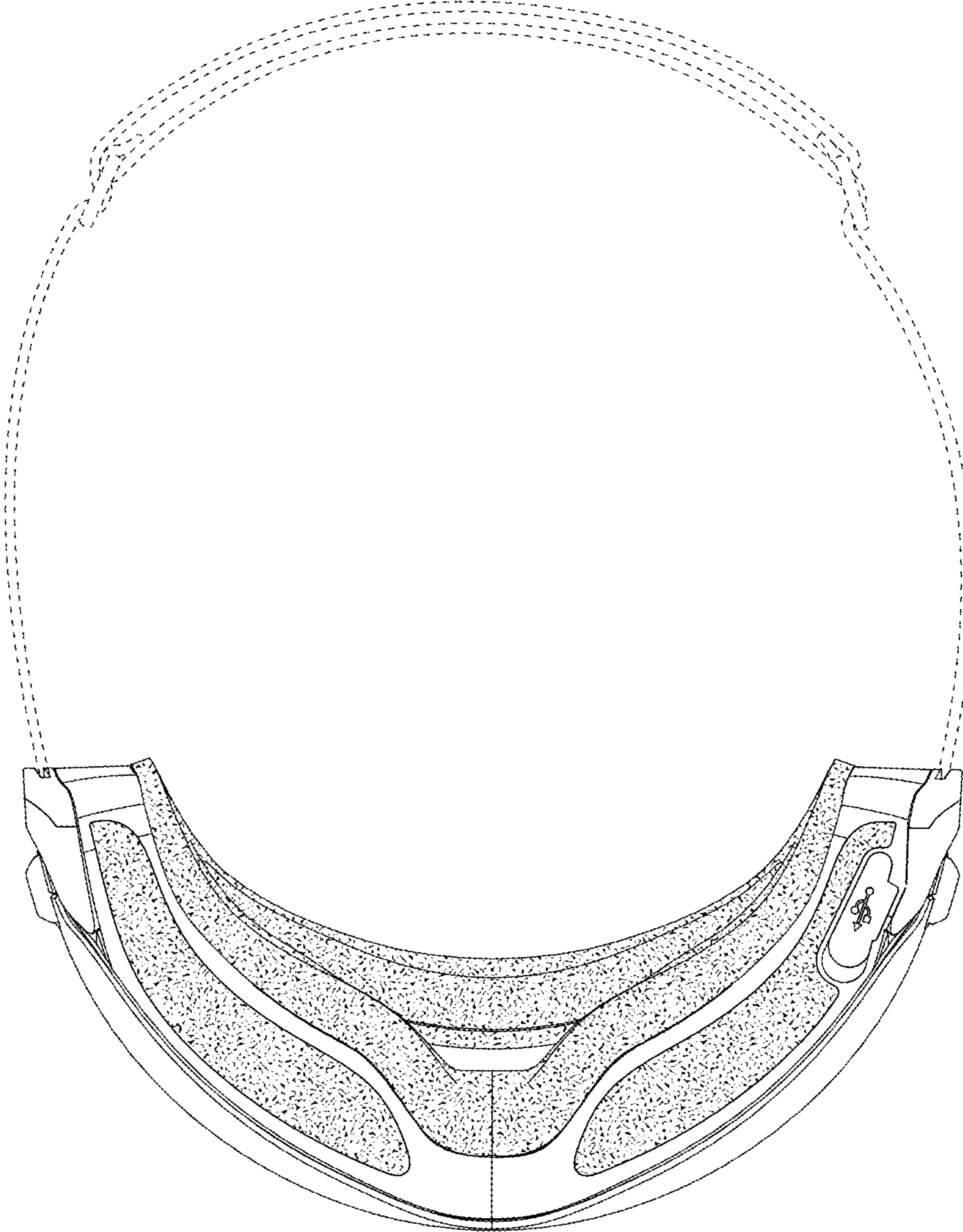


FIG. 8

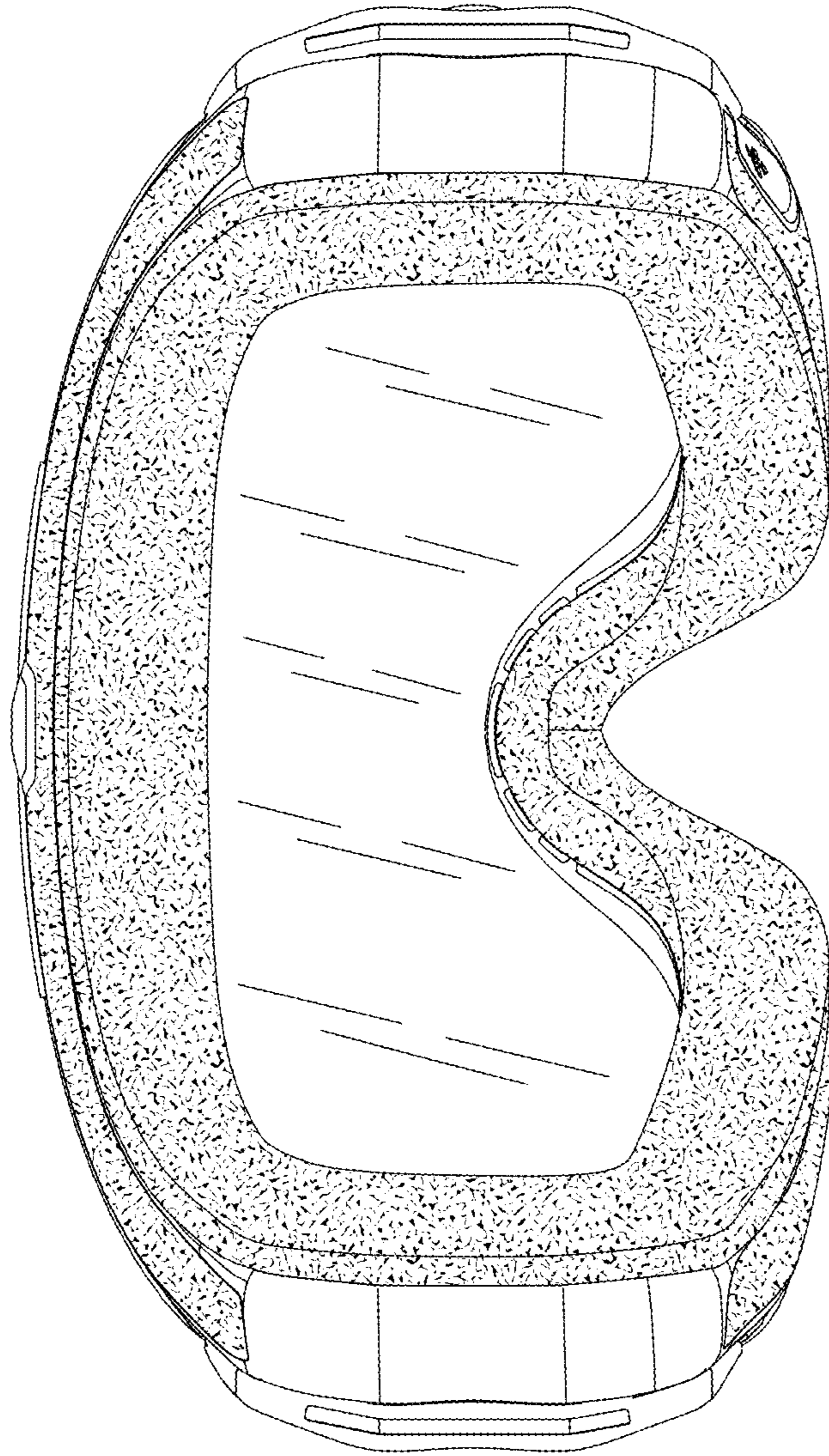


FIG. 9