



US00D769348S

(12) **United States Design Patent** (10) **Patent No.:** **US D769,348 S**  
**Li** (45) **Date of Patent:** **\*\* Oct. 18, 2016**

(54) **MOBILE TERMINAL**

(71) Applicant: **ZTE Corporation**, Shenzhen, Guangdong (CN)

(72) Inventor: **Yan Li**, Shenzhen (CN)

(73) Assignee: **ZTE Corporation**, Shenzhen, Guangdong (CN)

(\*\*) Term: **14 Years**

(21) Appl. No.: **29/523,621**

(22) Filed: **Apr. 12, 2015**

(51) **LOC (10) Cl.** ..... **16-02**

(52) **U.S. Cl.**  
USPC ..... **D16/230**

(58) **Field of Classification Search**  
USPC ..... D16/221, 225, 230-231, 234; D21/514; D14/341, 128  
CPC .. G03B 21/00; G03B 21/001; G03B 21/003; G03B 21/12; G03B 21/14; G03B 21/145  
See application file for complete search history.

(56) **References Cited**

**U.S. PATENT DOCUMENTS**

D600,735 S *	9/2009	Chigira	.....	D16/225
D633,125 S *	2/2011	Han	.....	D16/225
D637,642 S *	5/2011	Lim	.....	D16/225
D691,189 S *	10/2013	Zhao	.....	D16/225
D754,773 S *	4/2016	Zhou	.....	D16/230

**FOREIGN PATENT DOCUMENTS**

CN 201430205423.8 12/2014

**OTHER PUBLICATIONS**

It's a projector, it's a hot spot, but do you need it? USA Today Jul. 30, 2014.

Sprint LivePro Rating PC Mag Jul. 24, 2014.  
Sprint's LivePro Mobile Projector Wants to Do It All Tech We Like Jul. 9, 2014.  
Sprint LivePro Projector Review Booredatwork Aug. 11, 2014.  
Sprint LivePro Projector Review 9to5Toys Jul. 18, 2014.  
New Product Grab Bag: Multipurpose Projector Yahoo Tech Jul. 22, 2014.  
Sprint's LivePro is the most ambitious mobile hotspot ever made Verge Jul. 9, 2014.  
Reviewed: The ZTE Projector Scout Jul. 11, 2014.  
ZTE's projector/hotspot hybrid lands in the US with Sprint's help Engaget Jul. 9, 2014.  
Sprint asks if two useless things can become useful one with the LivePro Projector Hotspot 2014 TechCrunch Jul. 9, 2014.  
Sprint LivePro Offer Combined Hotspot, Projector PCMag Jul. 9, 2014.  
Sprint to carry ZTE's all-in-on LivePro projector hotspot CNET Jul. 9, 2014.  
ZTE USA Introduction Jul. 2014.  
ZTE USA News Jul. 9, 2014.

\* cited by examiner

*Primary Examiner* — Wan Laymon

(74) *Attorney, Agent, or Firm* — Oppedahl Patent Law Firm LLC

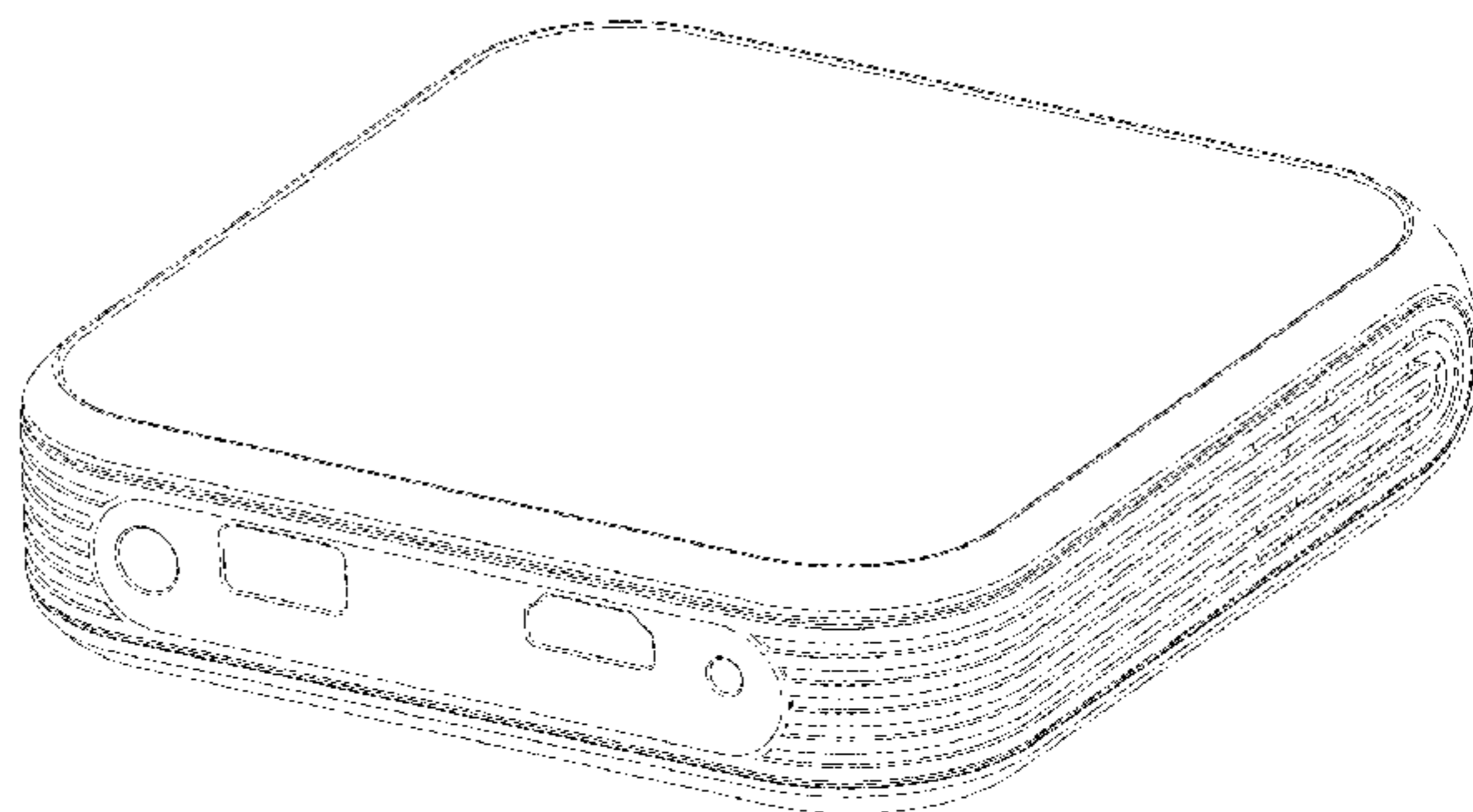
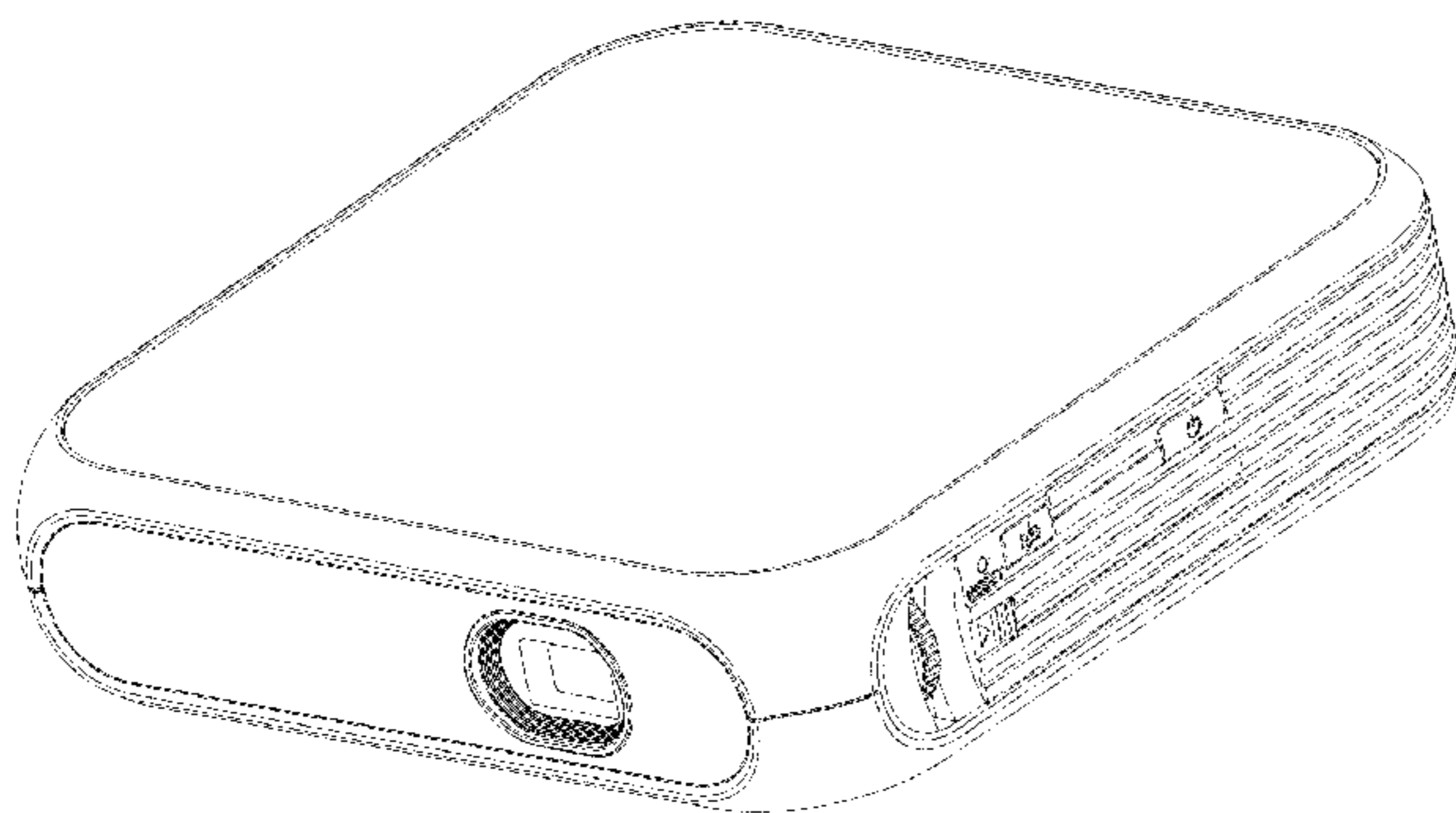
(57) **CLAIM**

The ornamental design for a mobile terminal, as shown and described.

**DESCRIPTION**

FIG. 1 is a front view of a mobile terminal;  
FIG. 2 is a bottom view thereof;  
FIG. 3 is a top view thereof;  
FIG. 4 is a rear view thereof;  
FIG. 5 is a right side view thereof;  
FIG. 6 is a left side view thereof;  
FIG. 7 is a top front right perspective view thereof;  
FIG. 8 is a top left rear perspective view thereof; and,  
FIG. 9 is a bottom front left perspective view thereof.

**1 Claim, 6 Drawing Sheets**



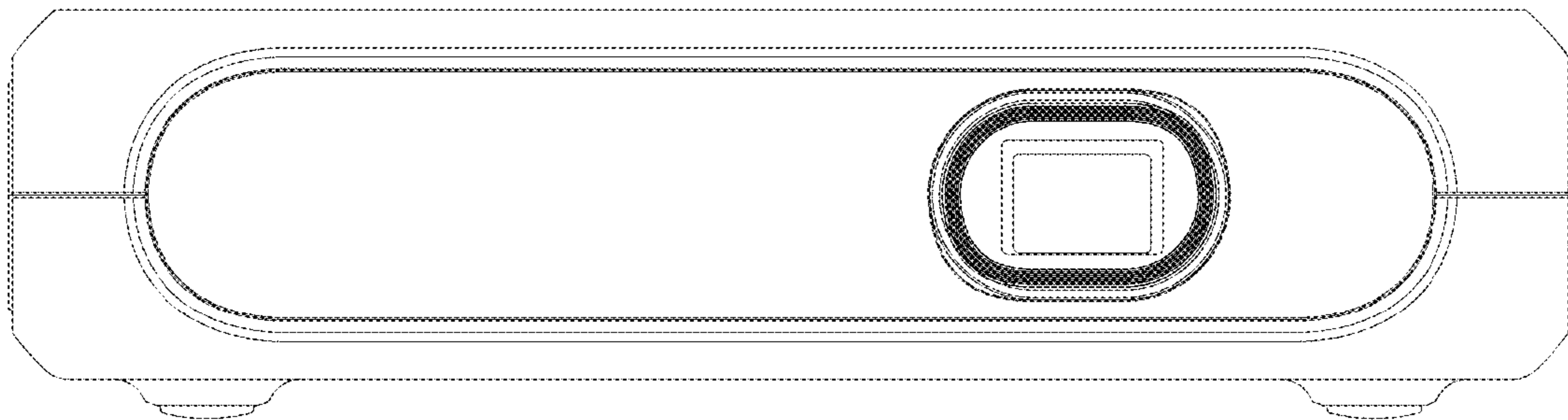


Figure 1

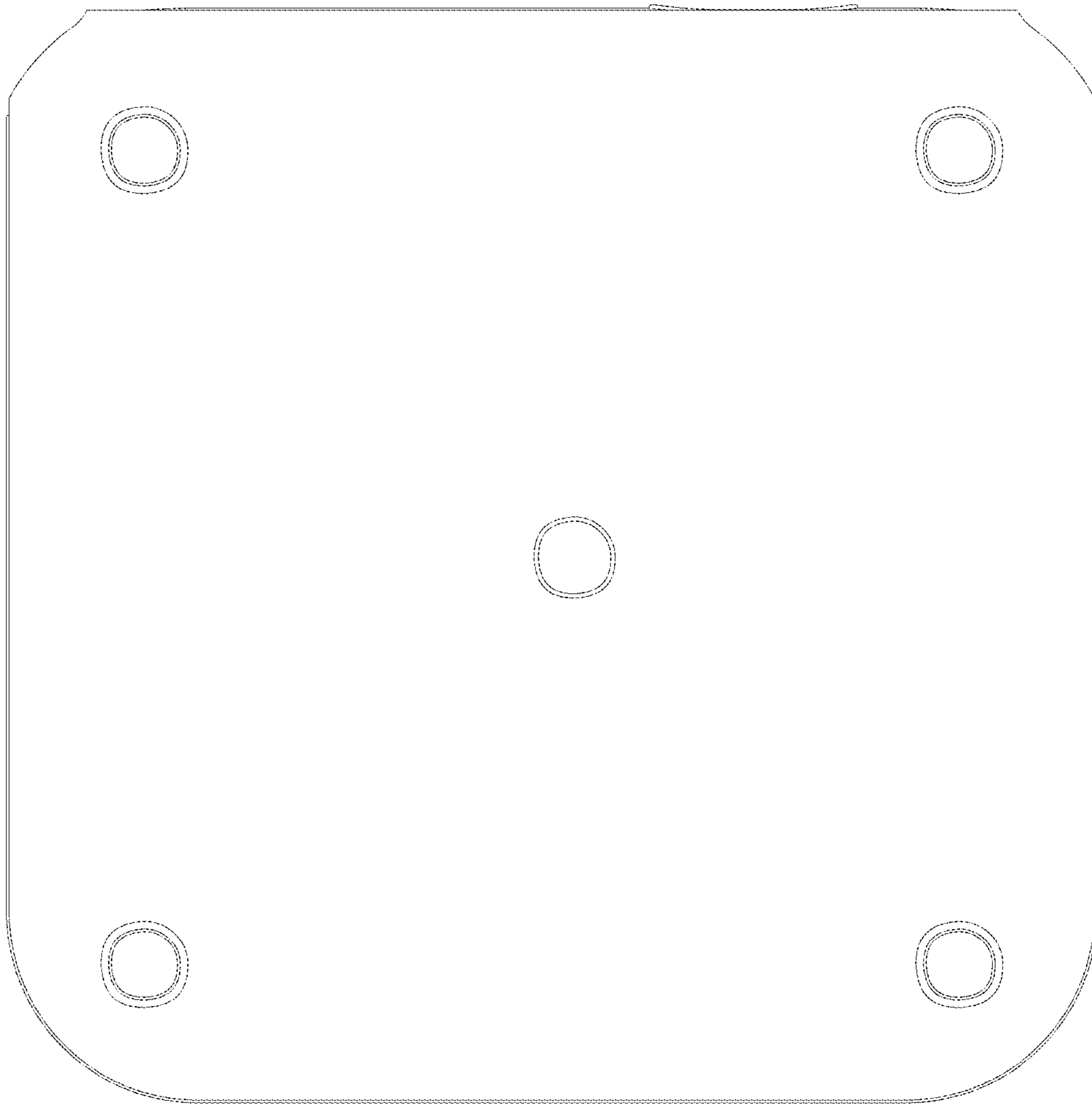


Figure 2

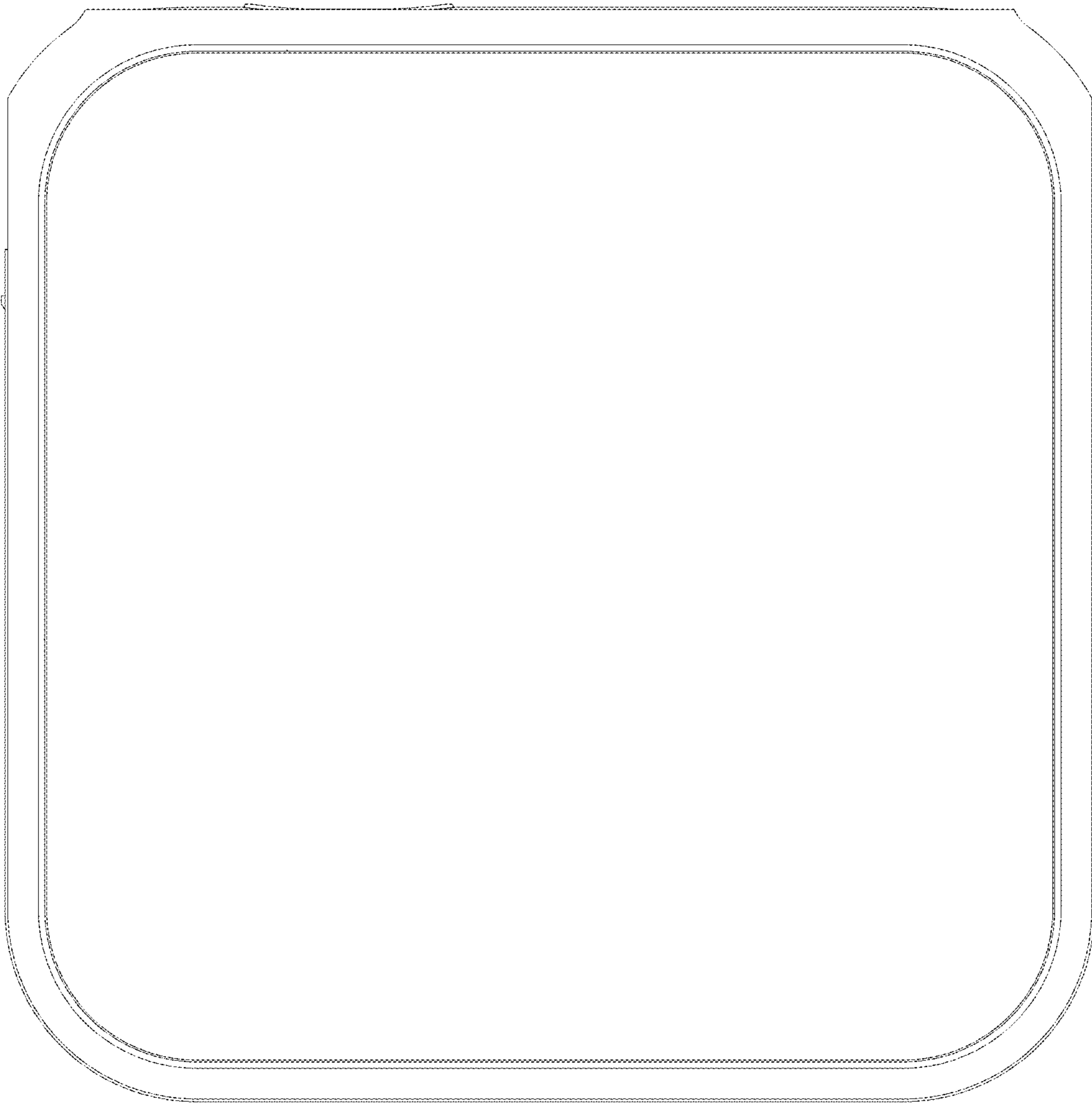


Figure 3

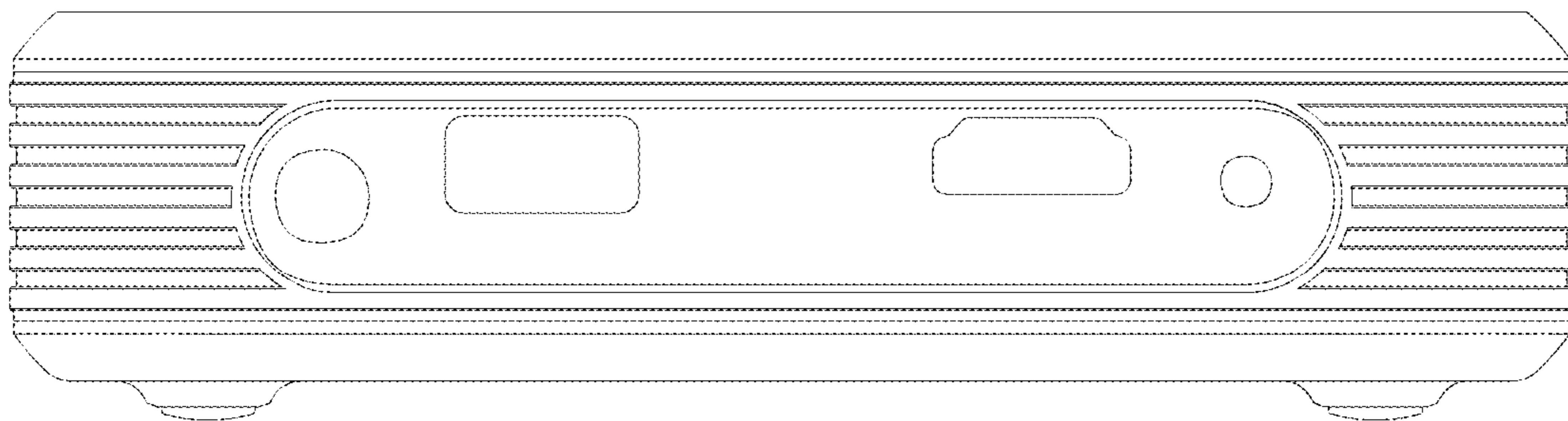


Figure 4

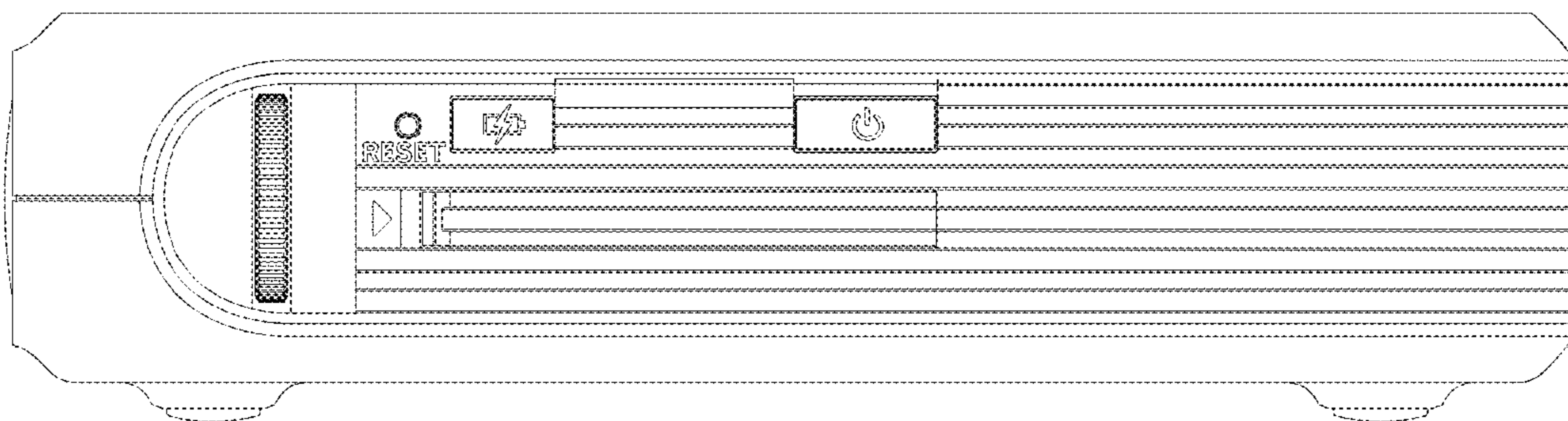


Figure 5



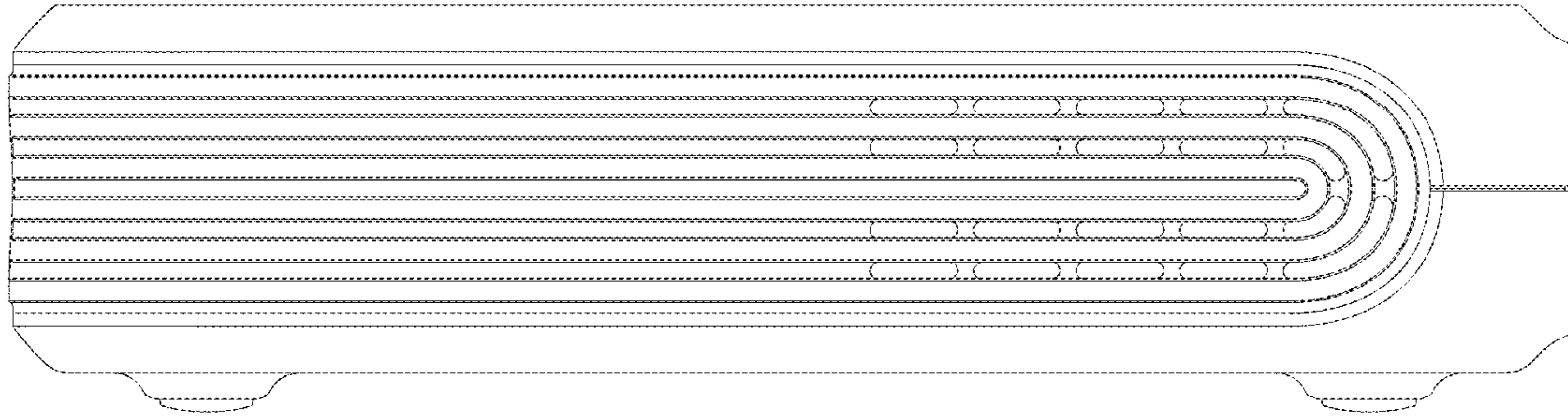


Figure 6

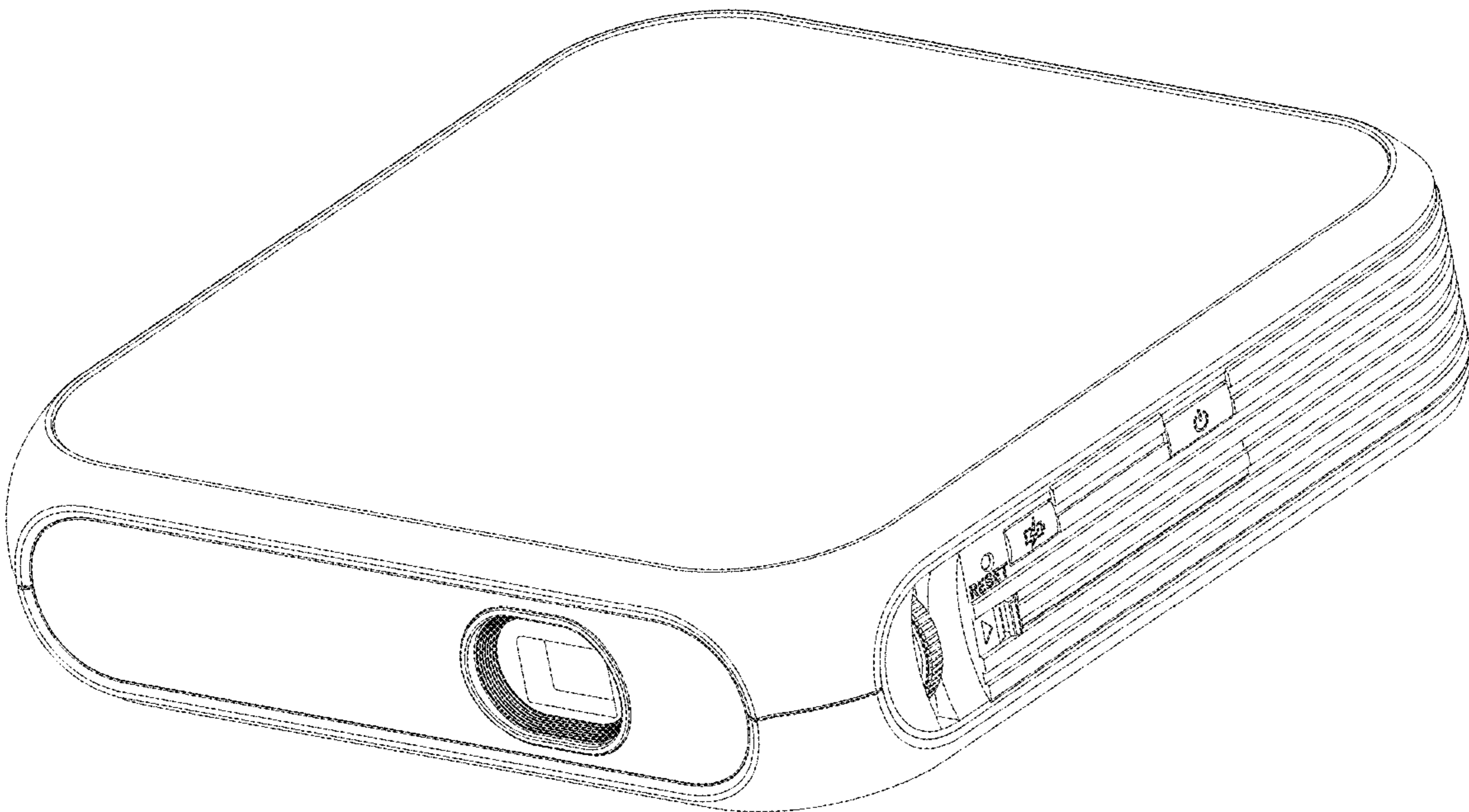


Figure 7

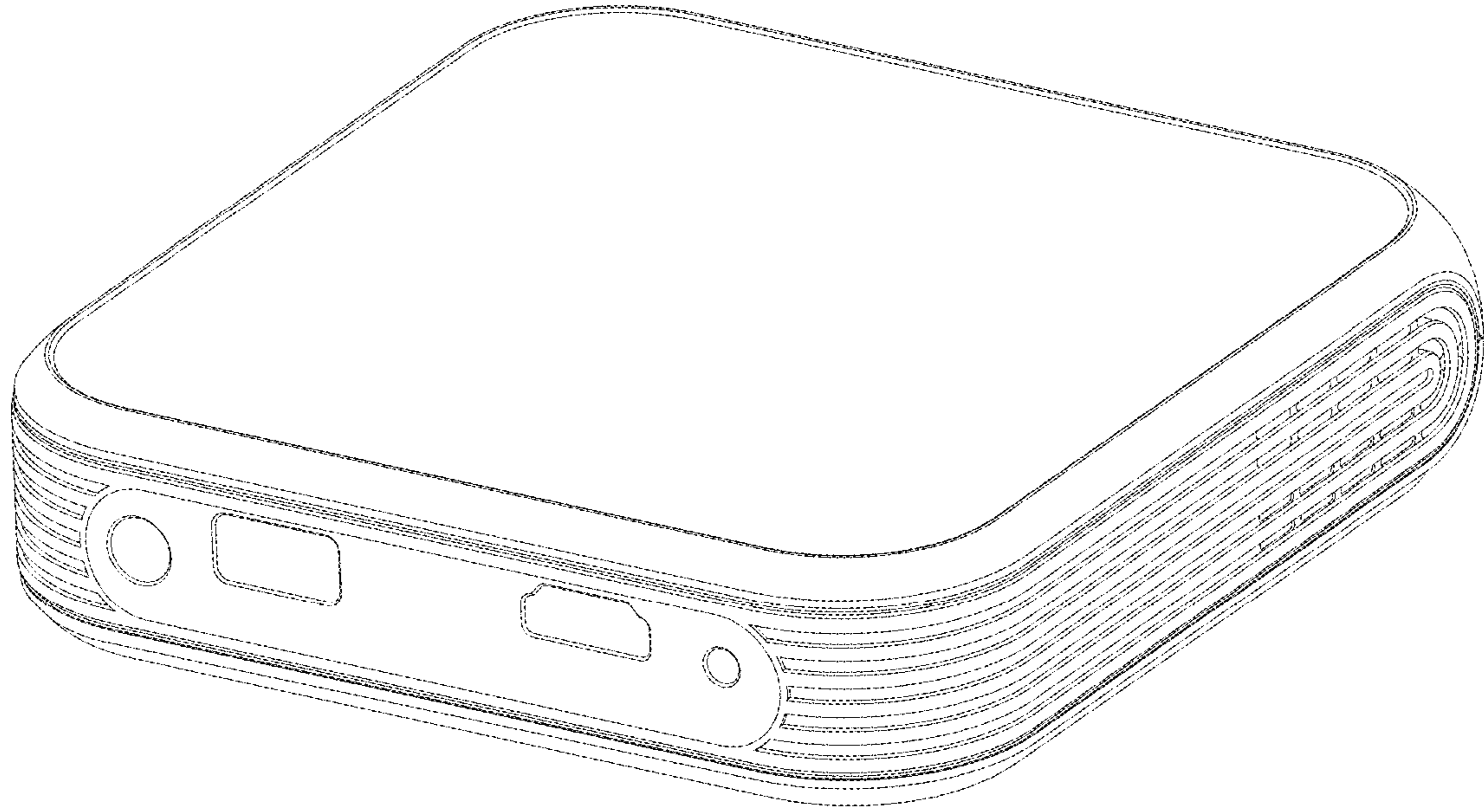


Figure 8

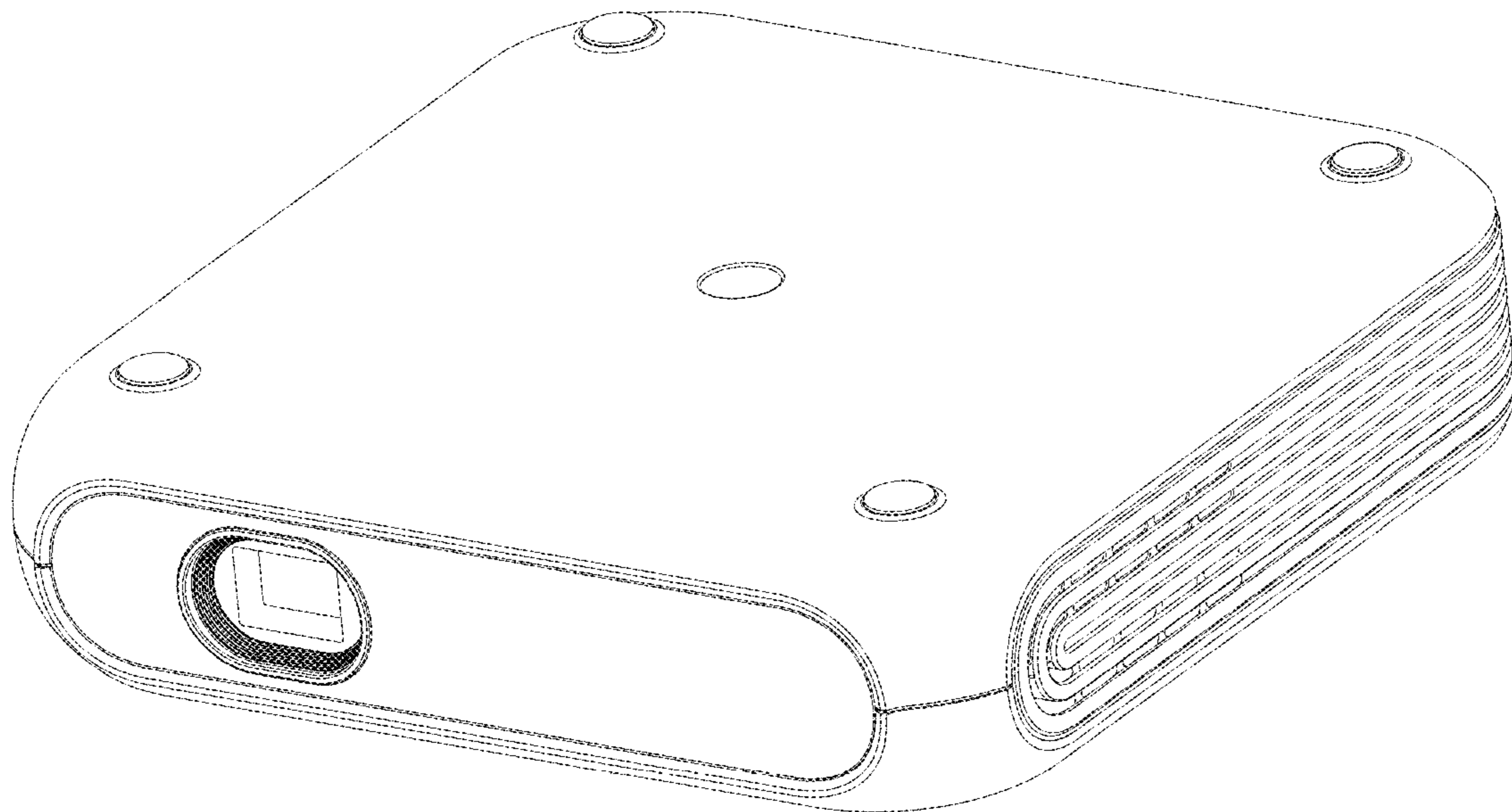


Figure 9