



US00D769345S

(12) **United States Design Patent**
Hinkel

(10) **Patent No.:** **US D769,345 S**
(45) **Date of Patent:** **** Oct. 18, 2016**

- (54) **SURVEILLANCE CAMERA**
- (71) Applicant: **Ralf Hinkel**, Horingen (DE)
- (72) Inventor: **Ralf Hinkel**, Horingen (DE)
- (73) Assignee: **MOBOTIX AG**, Winnweiler (DE)
- (**) Term: **15 Years**
- (21) Appl. No.: **29/548,060**
- (22) Filed: **Dec. 10, 2015**

Related U.S. Application Data

- (62) Division of application No. 29/450,614, filed on Mar. 20, 2013, now Pat. No. Des. 759,142.

Foreign Application Priority Data

- Sep. 21, 2012 (DE) 40 2012 004 445

- (51) **LOC (10) Cl.** **16-01**
- (52) **U.S. Cl.**

USPC **D16/203**

- (58) **Field of Classification Search**
- USPC D16/200, 202–204, 207, 208, 210, 218, D16/219, 222; D12/400; 340/937; 348/143, 348/148, 151, 360, 373–376; 396/427, 429, 396/529, 535, 539–541
- CPC G03B 15/03; G03B 17/02; G03B 17/04; G03B 17/48; G03B 17/56; G03B 19/04; G08G 1/0175; H04N 5/2251; H04N 5/2252; H04N 5/2253; H04N 5/2254; H04N 2101/00; B60R 1/00

See application file for complete search history.

- (56) **References Cited**

U.S. PATENT DOCUMENTS

| | | |
|--------------|--------|-------------|
| 6,115,197 A | 9/2000 | Funahashi |
| D455,166 S | 4/2002 | Raad et al. |
| 6,860,654 B1 | 3/2005 | Ching-Wen |
| D523,057 S | 6/2006 | Watanabe |

| | | | |
|-------------------|---------|----------------|---------------------------|
| D554,168 S | 10/2007 | Shi et al. | |
| 7,520,686 B2 * | 4/2009 | Droege | G03B 17/02 348/143 |
| D598,039 S | 8/2009 | Owada | |
| 7,604,423 B2 * | 10/2009 | Nagata | G03B 19/07 348/375 |
| D610,186 S | 2/2010 | Jannard et al. | |
| D664,580 S | 7/2012 | Sigward | |
| D686,267 S * | 7/2013 | Mihara | D16/202 |
| 8,587,715 B2 * | 11/2013 | Takeda | H04N 13/0239 348/231.4 |
| D702,750 S | 4/2014 | Yoon | |
| D704,759 S | 5/2014 | Park et al. | |
| D711,451 S * | 8/2014 | Katsuyama | D16/208 |
| D730,967 S | 6/2015 | O'Neill et al. | |
| D730,968 S | 6/2015 | O'Neill et al. | |
| D750,681 S * | 3/2016 | Takami | D16/202 |
| D751,129 S * | 3/2016 | Lellky | D16/203 |
| 2010/0123819 A1 * | 5/2010 | Yu | H04N 5/2254 348/360 |
| 2011/0199485 A1 * | 8/2011 | Nakamura | G02B 13/001 348/148 |
| 2013/0335568 A1 * | 12/2013 | Tang | H04N 5/772 348/148 |

* cited by examiner

Primary Examiner — Susan E Krakower

Assistant Examiner — Ramzi Almatrahi

(74) *Attorney, Agent, or Firm* — Salter & Michaelson

(57) **CLAIM**

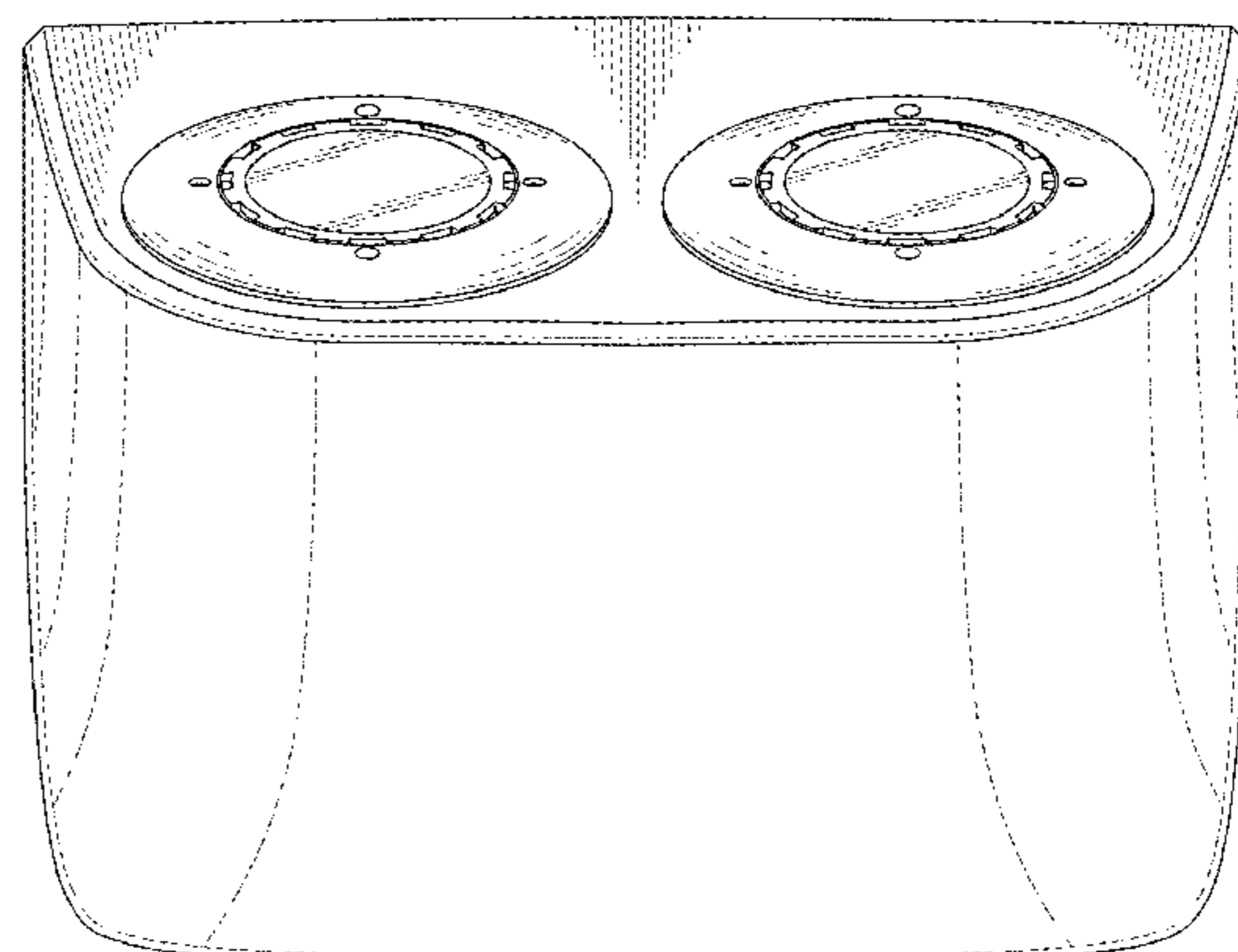
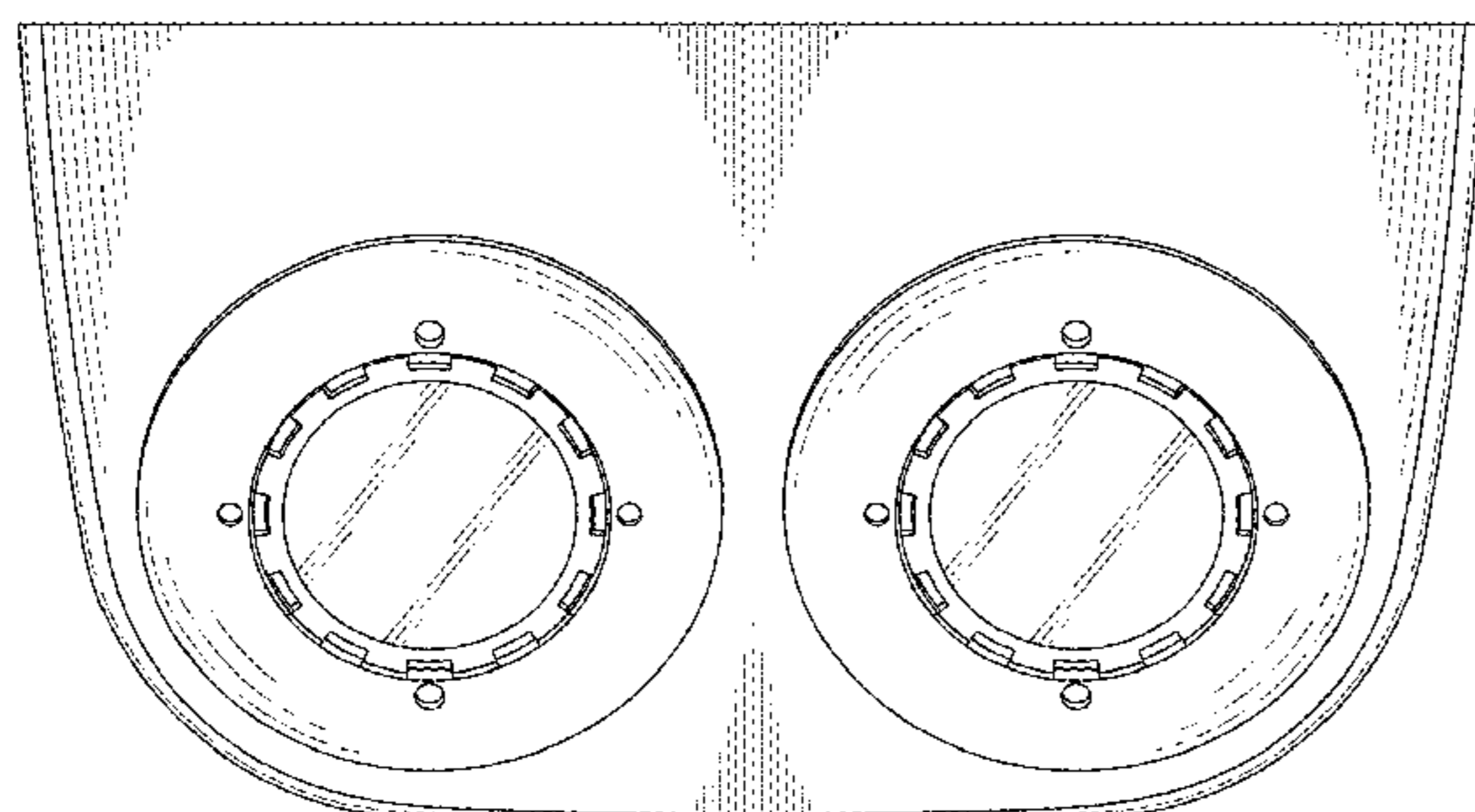
The ornamental design for a surveillance camera, as shown and described.

DESCRIPTION

FIG. 1 is a front elevational view of a surveillance camera; FIG. 2 is a rear elevational view thereof; FIG. 3 is a left side elevational view thereof; FIG. 4 is a right side elevational view thereof; FIG. 5 is a top plan view thereof; and, FIG. 6 is a bottom plan view thereof.

The broken lines depict portions of a surveillance camera in which the design is embodied and form no part of the claimed design.

1 Claim, 6 Drawing Sheets



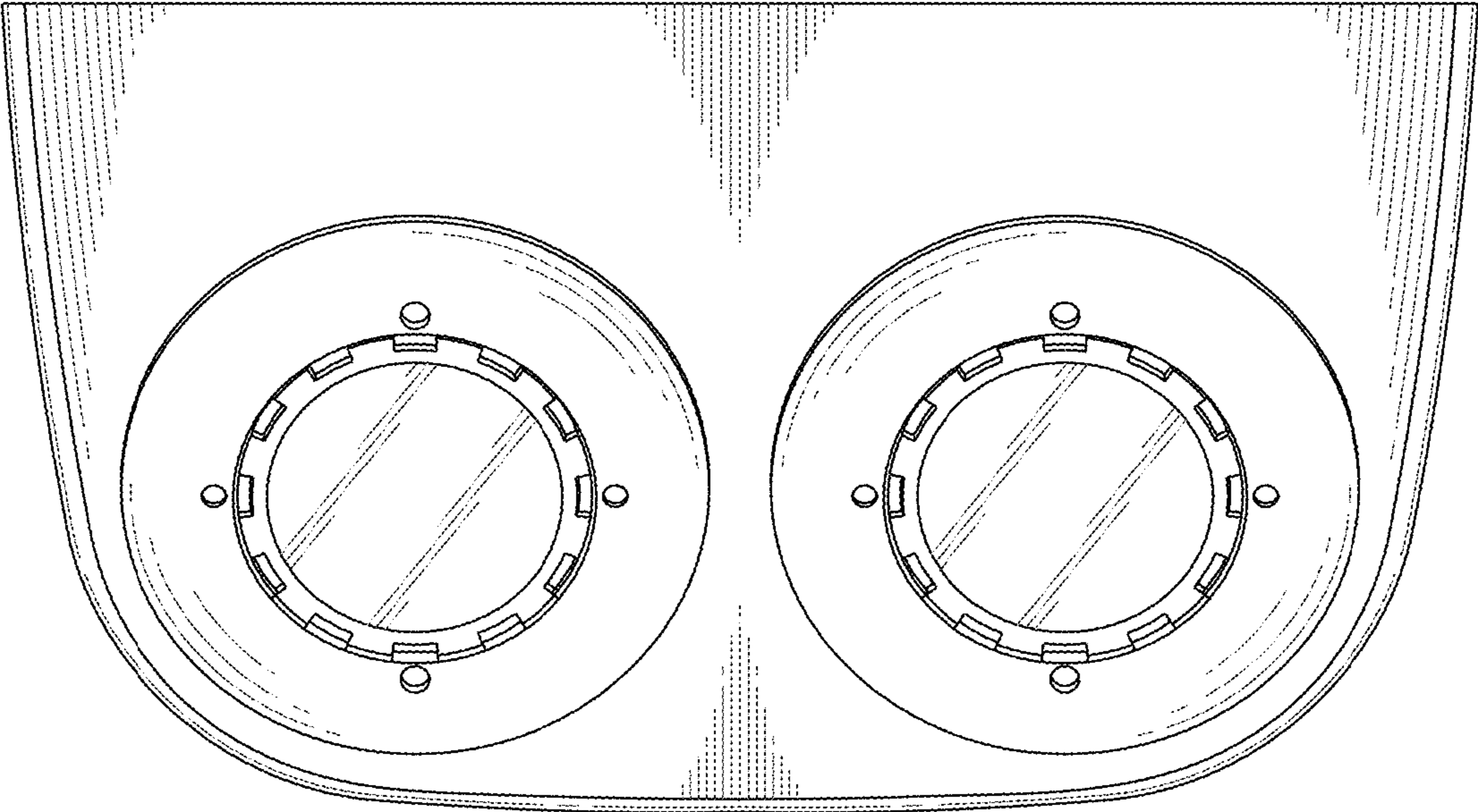


FIG. 1

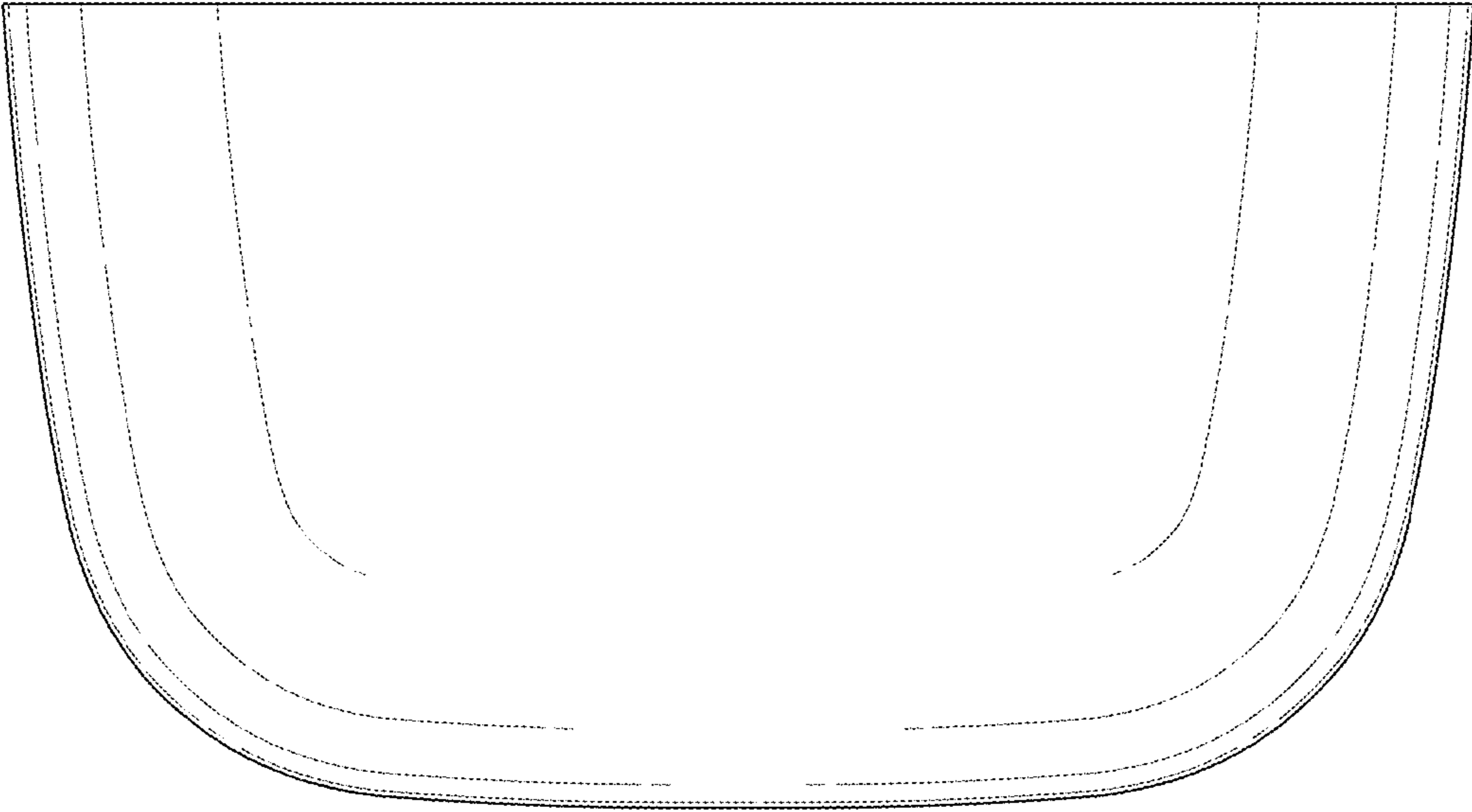


FIG. 2

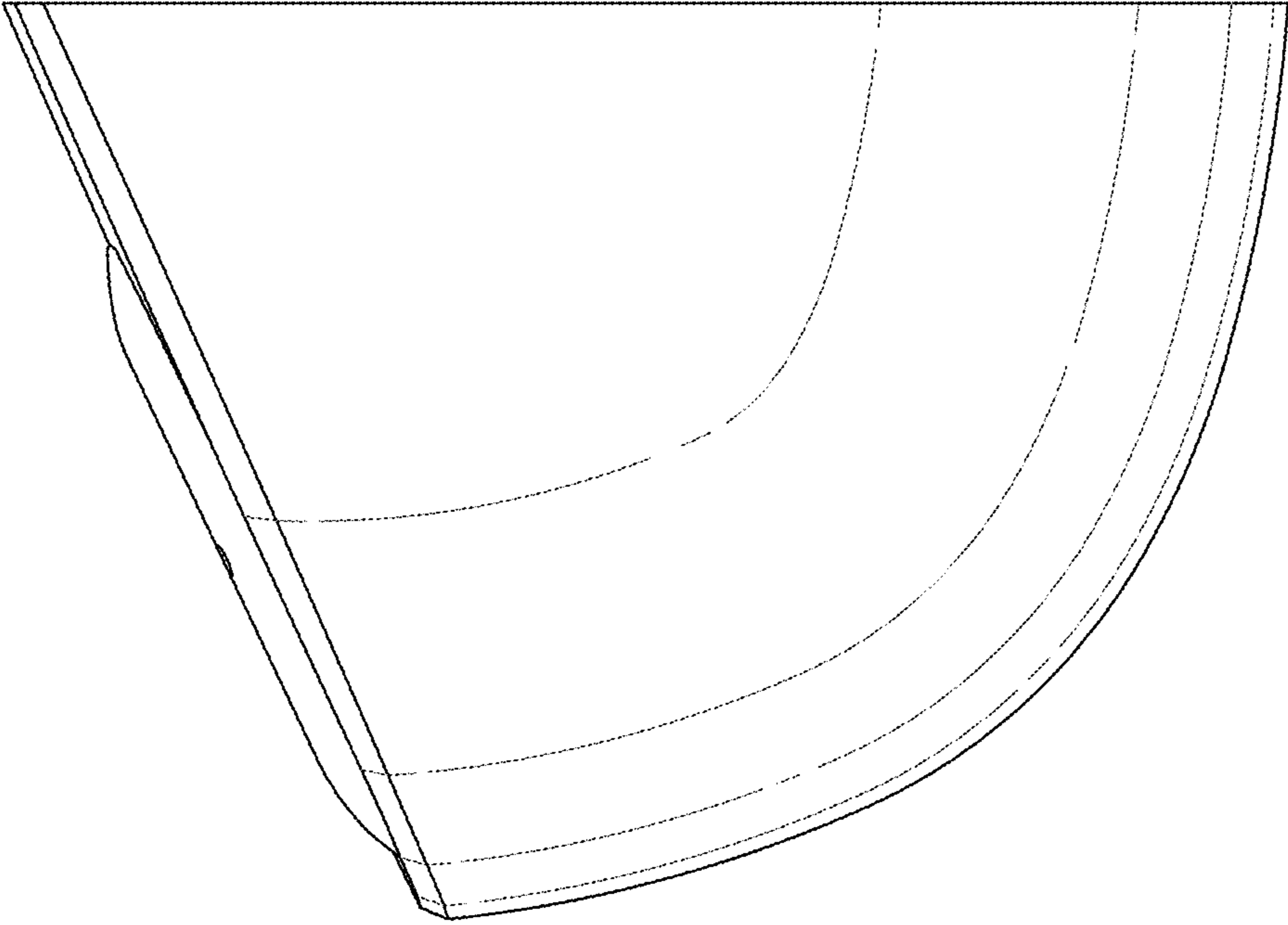


FIG. 3

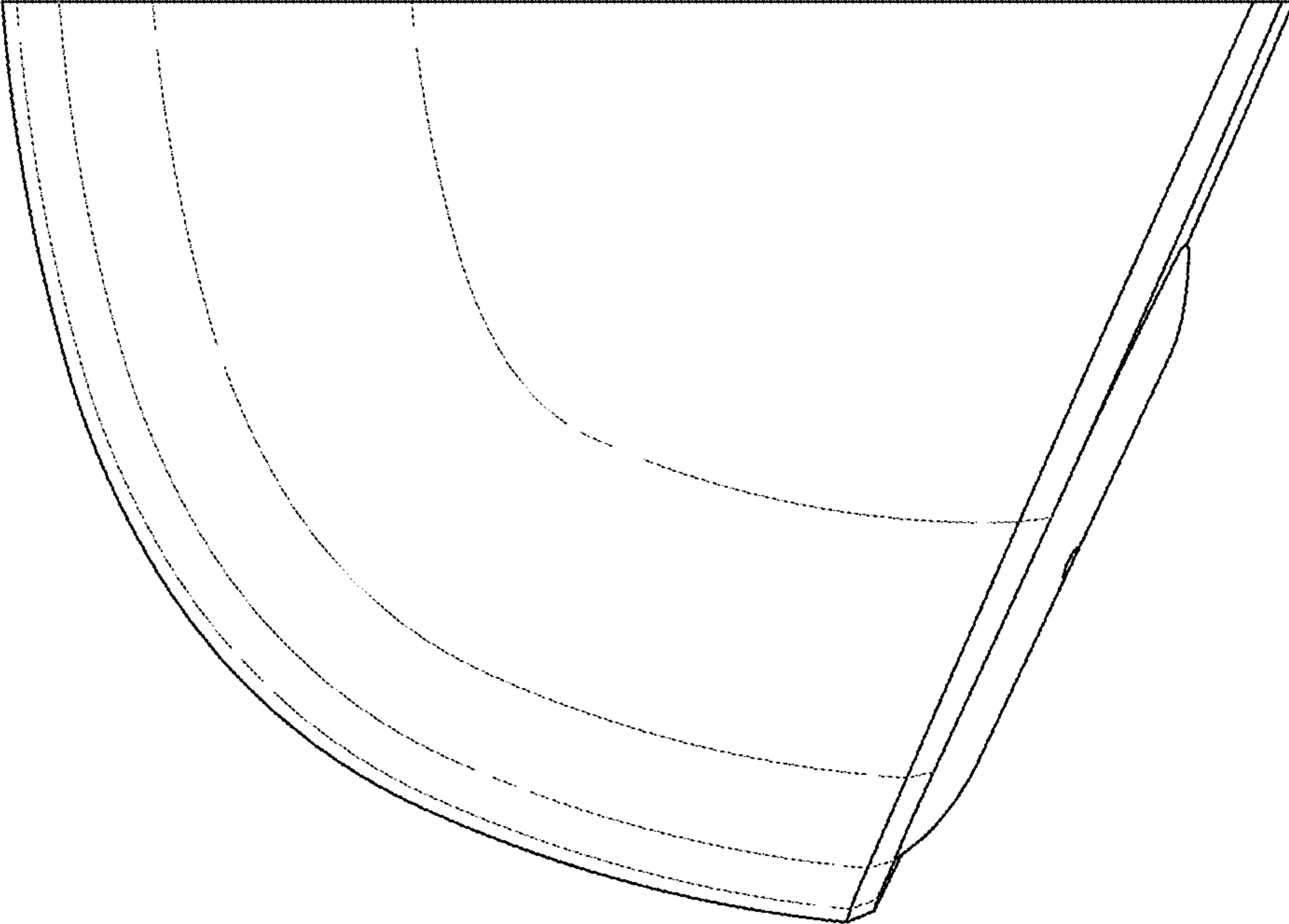


FIG. 4

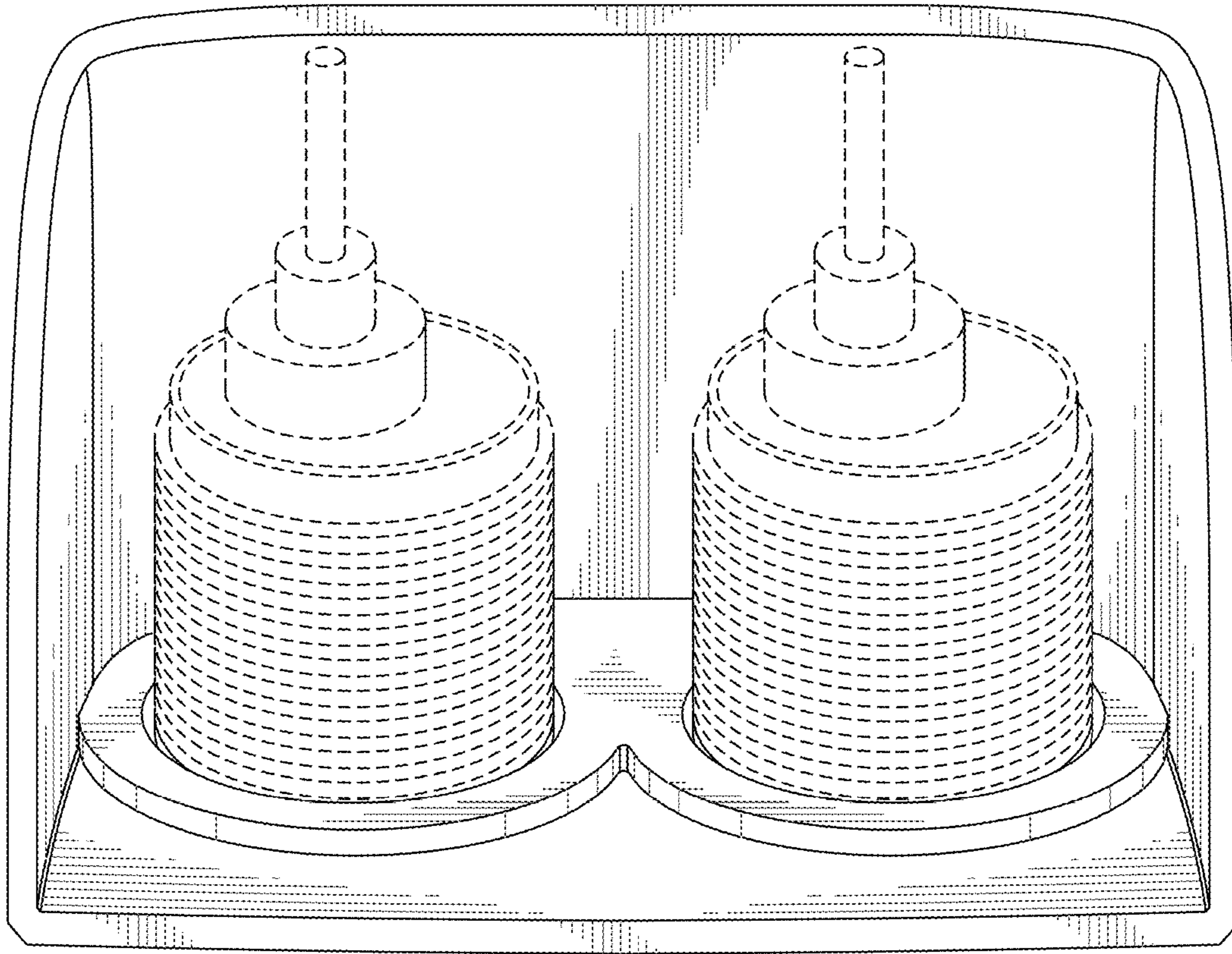


FIG. 5

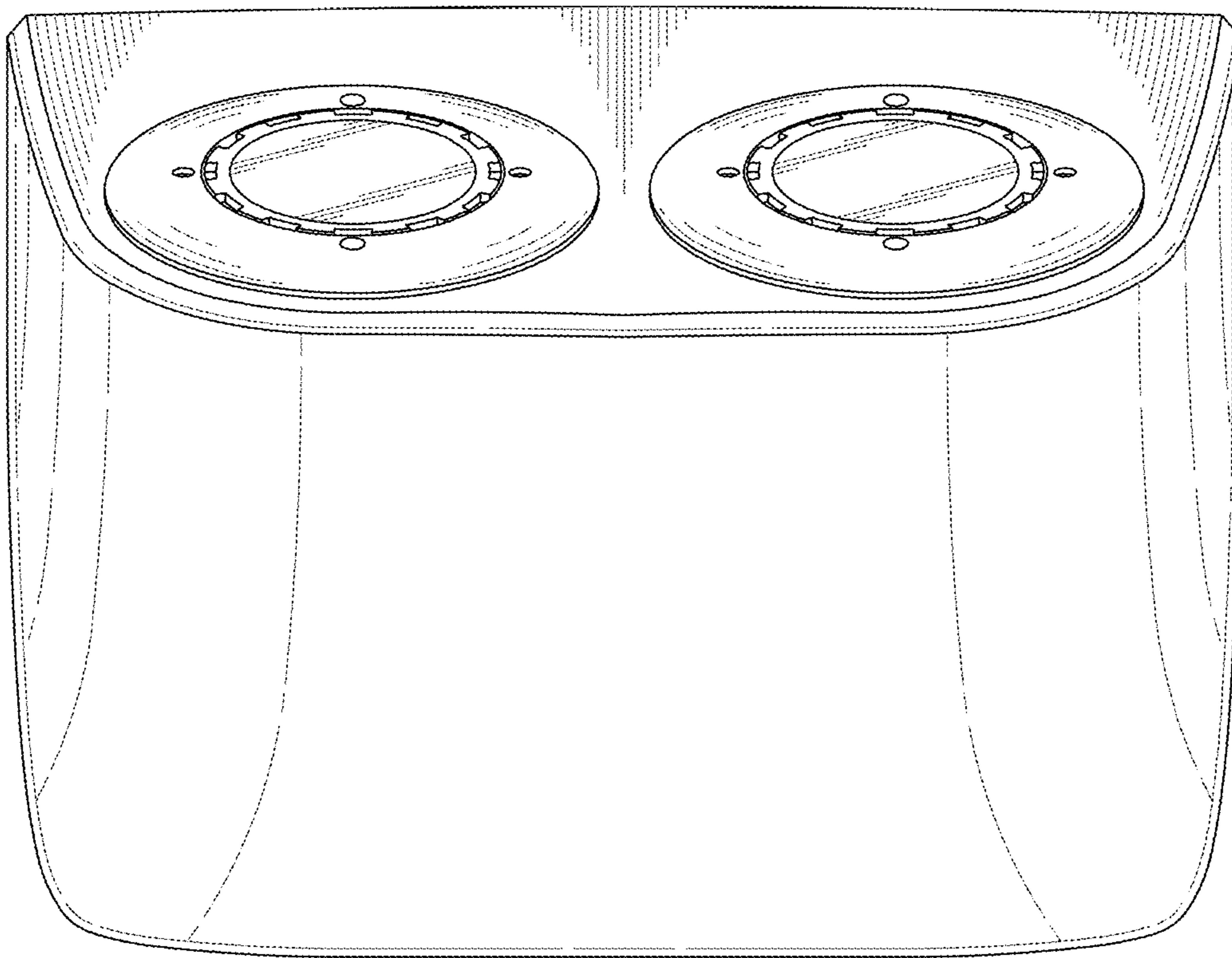


FIG. 6