



US00D769343S

(12) **United States Design Patent**
Bordegnoni et al.

(10) **Patent No.:** **US D769,343 S**

(45) **Date of Patent:** **** Oct. 18, 2016**

(54) **ROBOT**

(71) Applicant: **Comau S.p.A.**, Grugliasco (Turin) (IT)

(72) Inventors: **Stefano Bordegnoni**, Grugliasco (IT);
Francesco Ciniello, Grugliasco (IT)

(**) Term: **15 Years**

(21) Appl. No.: **29/544,389**

(22) Filed: **Nov. 3, 2015**

(30) **Foreign Application Priority Data**

May 5, 2015 (EM) 002694661

(51) **LOC (10) Cl.** **15-99**

(52) **U.S. Cl.**
USPC **D15/199**

(58) **Field of Classification Search**
USPC D15/122, 199; D21/578-583, 621, 622
See application file for complete search history.

(56) **References Cited**

U.S. PATENT DOCUMENTS

D440,241 S * 4/2001 Kawahara D15/199
D443,287 S * 6/2001 Kawahara D15/199
D615,574 S * 5/2010 Liu D15/199
D616,477 S * 5/2010 Long D15/199

D624,104 S * 9/2010 Miyake 15/99
D629,030 S * 12/2010 Long D15/199
D638,043 S * 5/2011 Tsuchiya D15/199
D638,044 S * 5/2011 Ikoma D15/199
D650,820 S * 12/2011 Long D15/199
D670,319 S * 11/2012 Liu D15/199
D681,708 S * 5/2013 Miyake D15/199
D713,436 S * 9/2014 Liu D15/199

* cited by examiner

Primary Examiner — Patricia Palasik

(74) *Attorney, Agent, or Firm* — Young Basile Hanlon & MacFarlane, P.C.

(57) **CLAIM**

The ornamental design for a robot, as shown and described.

DESCRIPTION

FIG. 1 is a front perspective view of a robot;
FIG. 2 is a rear perspective view of the robot of FIG. 1;
FIG. 3 is a front plan view of the robot of FIG. 1;
FIG. 4 is a right side plan view of the robot of FIG. 1;
FIG. 5 is a left side plan view of the robot of FIG. 1;
FIG. 6 is a rear plan view of the robot of FIG. 1;
FIG. 7 is a top plan view of the robot of FIG. 1; and,
FIG. 8 is a bottom plan view of the robot of FIG. 1.
The shade lines show contour and not surface ornamentation. The broken lines are environmental and form no part of the claimed design.

1 Claim, 7 Drawing Sheets

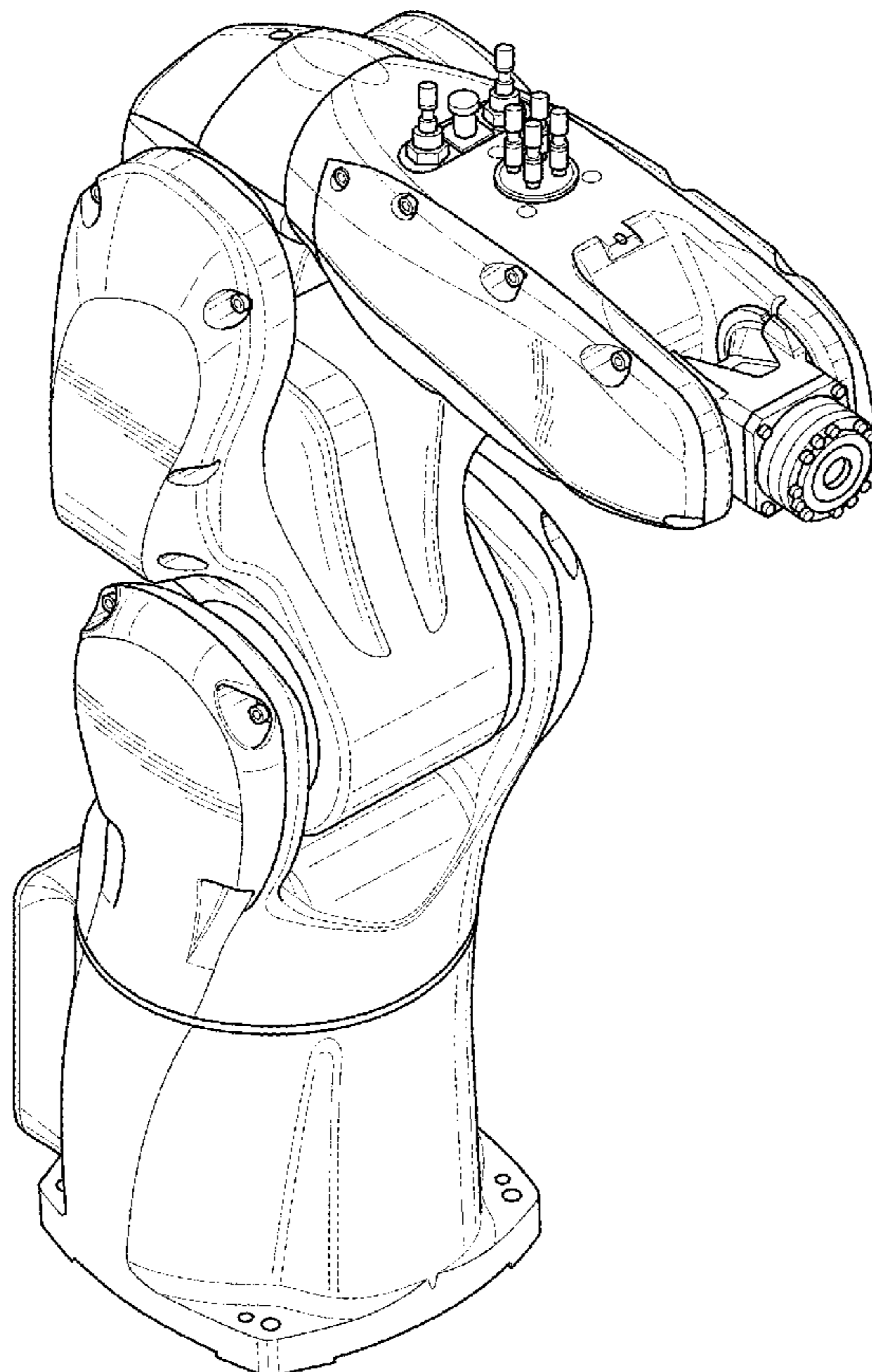


FIG. 1

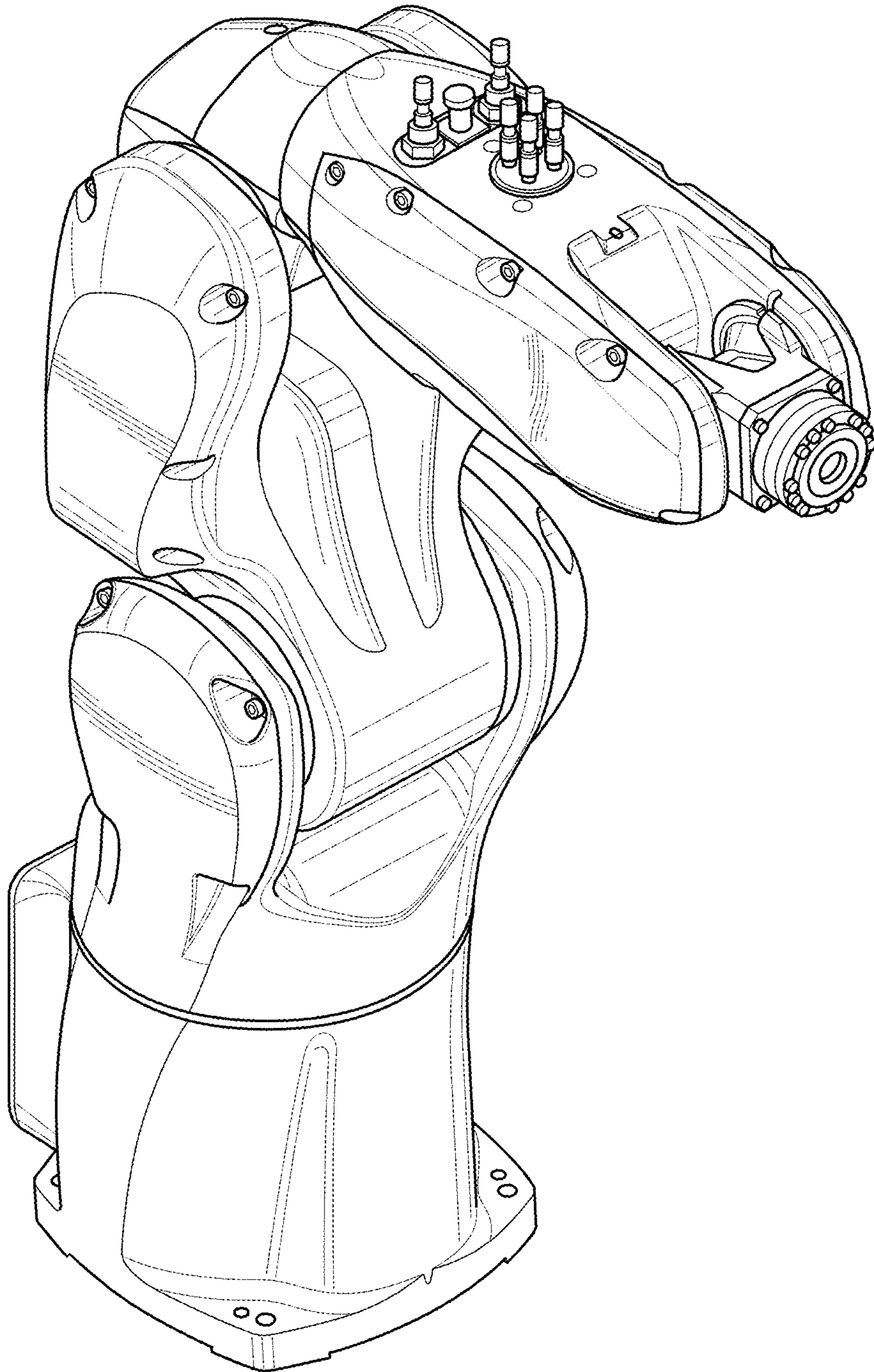


FIG. 2

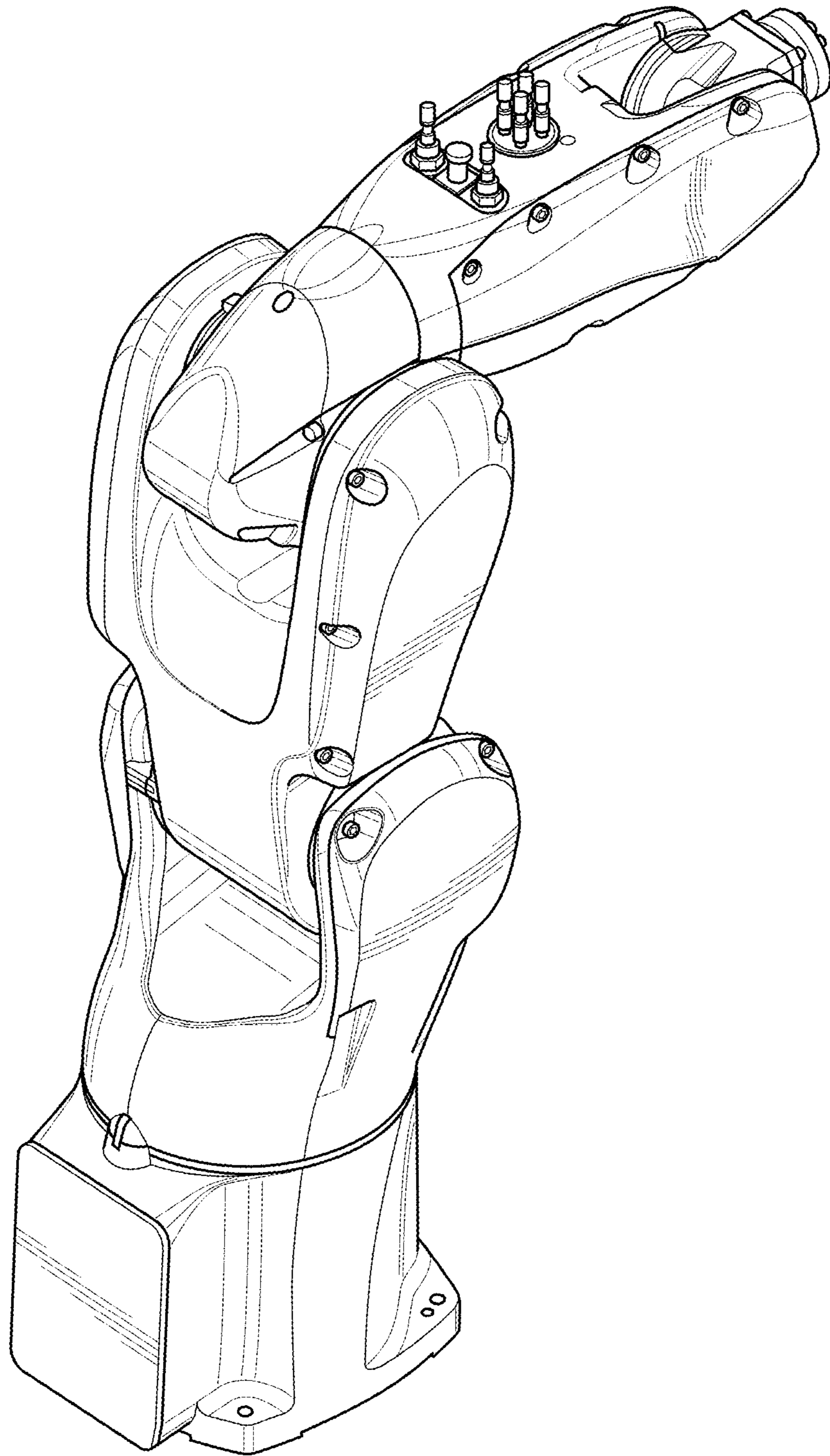


FIG. 3

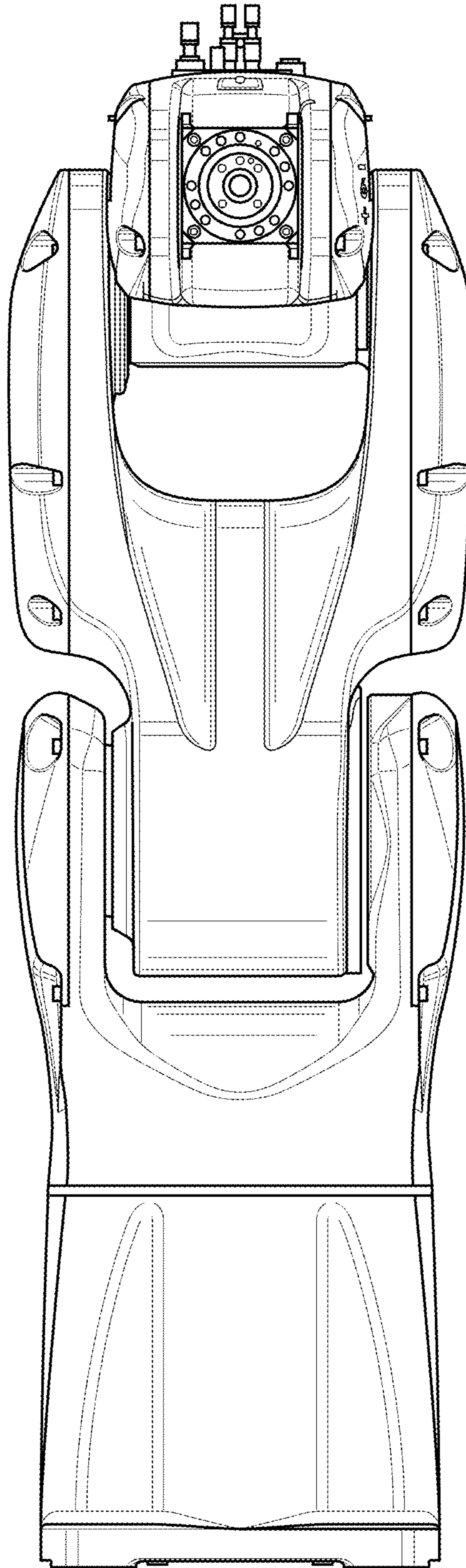


FIG. 4

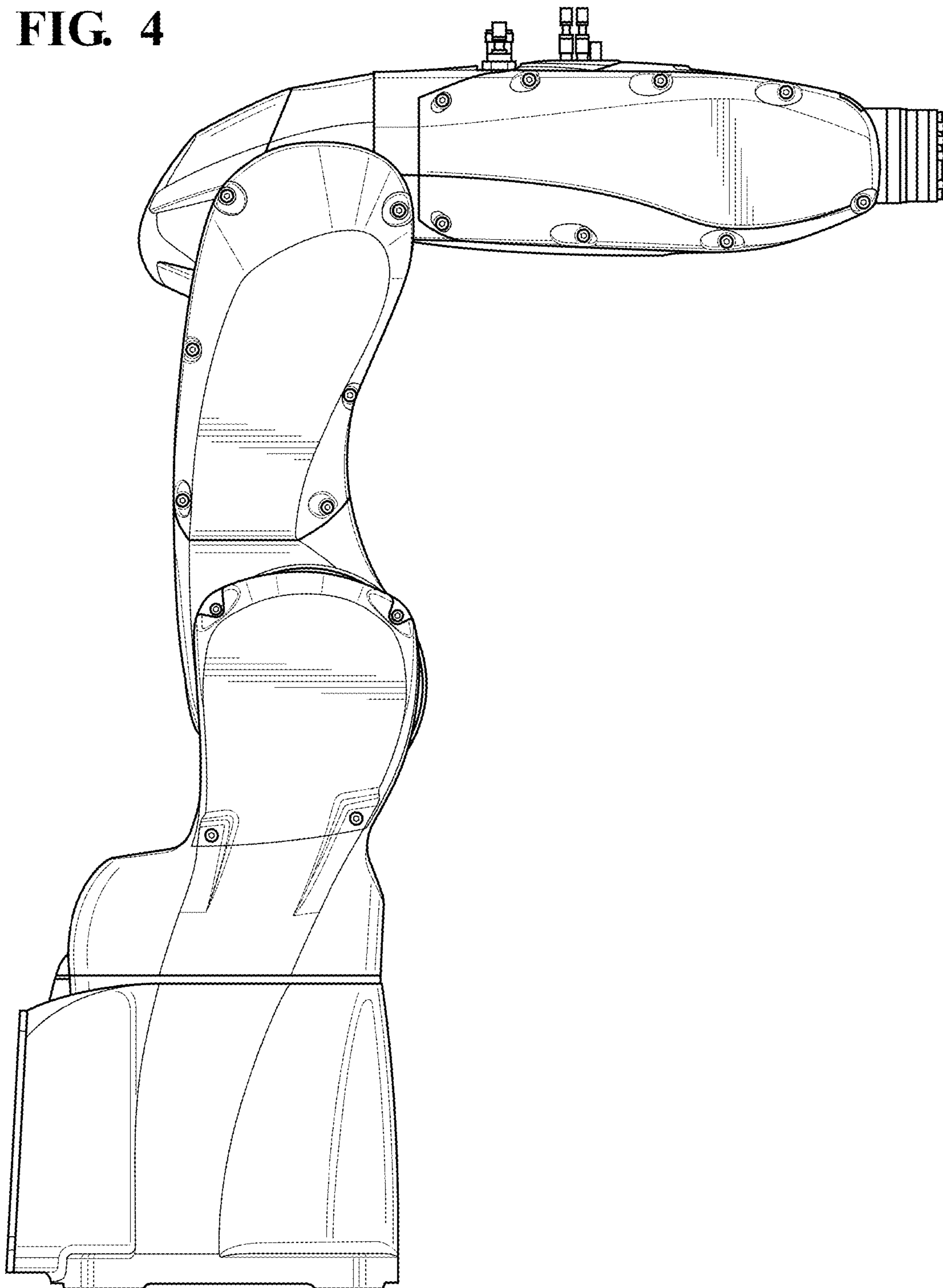


FIG. 5

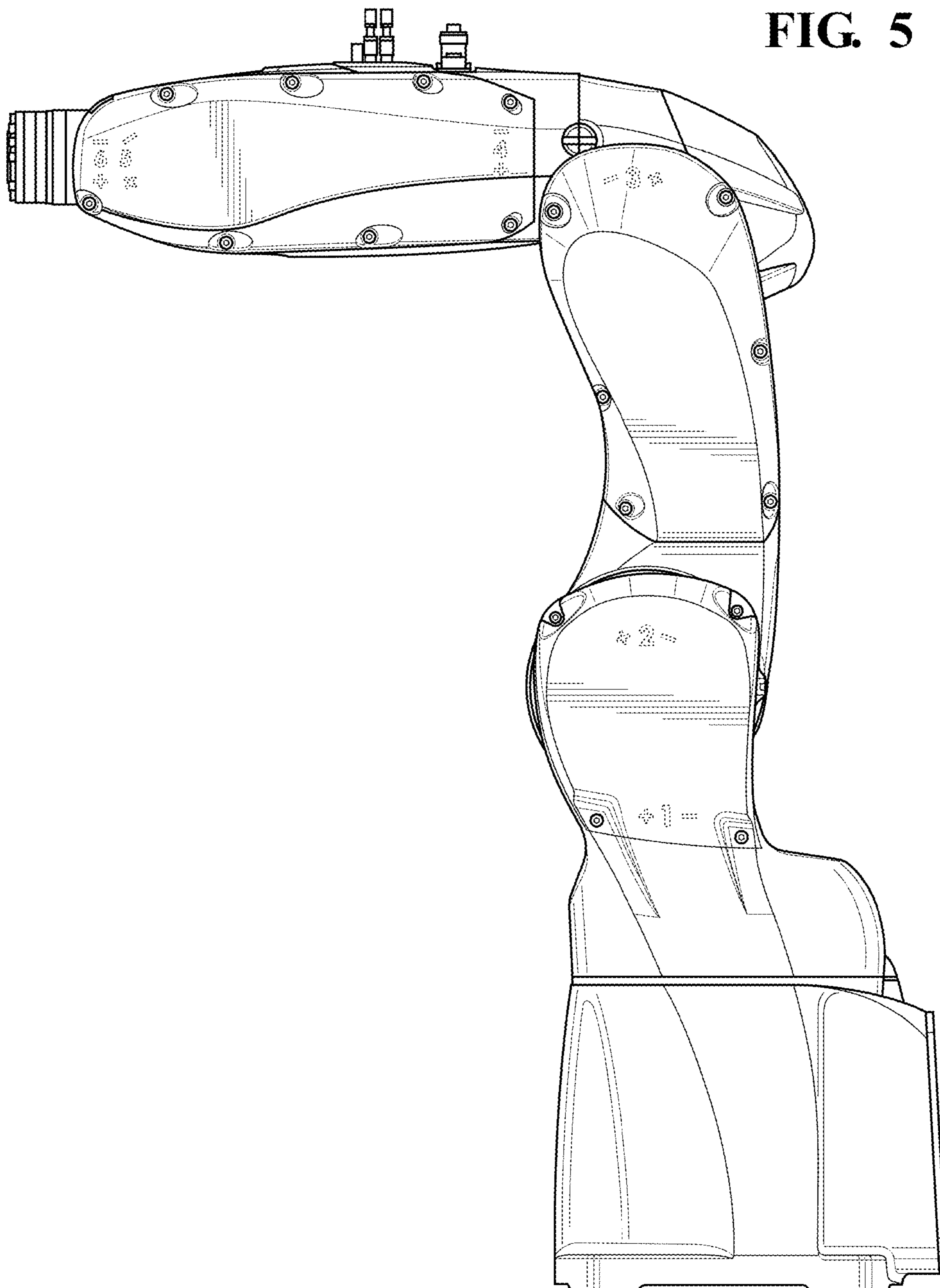


FIG. 6

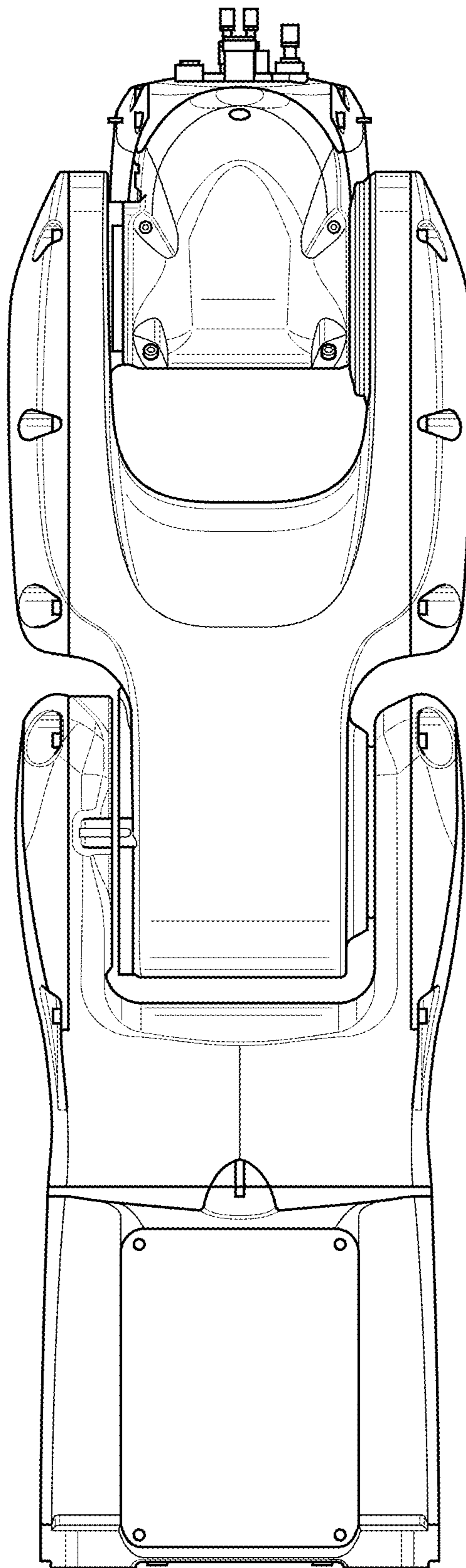


FIG. 7

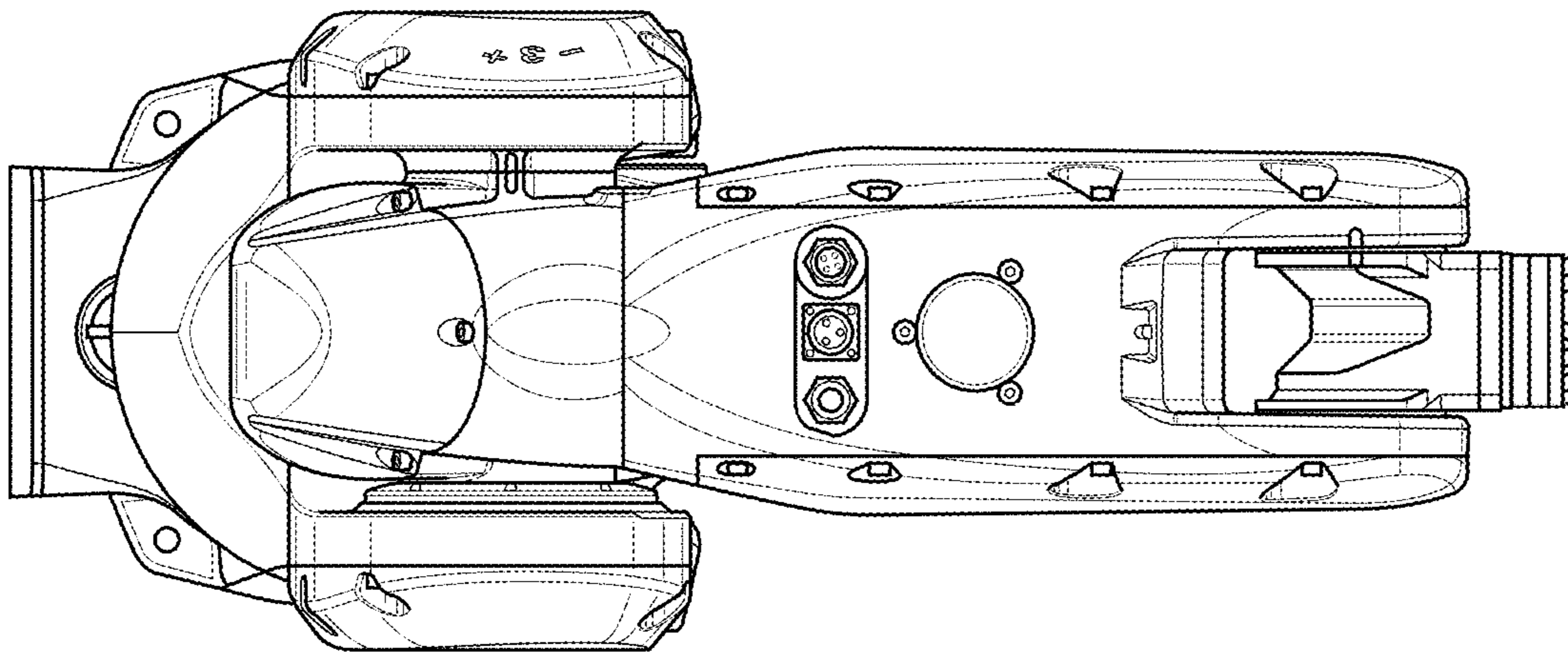


FIG. 8

