



US00D769341S

(12) **United States Design Patent**  
**Lee et al.**

(10) **Patent No.:** **US D769,341 S**  
(45) **Date of Patent:** **\*\* Oct. 18, 2016**

(54) **MACHINE CASING**

(71) Applicant: **HIWIN TECHNOLOGIES CORP.**,  
Taichung (TW)

(72) Inventors: **Chien-Hua Lee**, Taichung (TW);  
**Kun-Hung Chi**, Taichung (TW)

(73) Assignee: **Hiwin Technologies Corp.**, Taichung  
(TW)

(\*\*) Term: **15 Years**

(21) Appl. No.: **29/536,482**

(22) Filed: **Aug. 17, 2015**

(51) **LOC (10) Cl.** ..... **15-09**

(52) **U.S. Cl.**  
USPC ..... **D15/141**

(58) **Field of Classification Search**  
USPC ..... D15/122, 129, 130, 135  
See application file for complete search history.

(56) **References Cited**

**U.S. PATENT DOCUMENTS**

D91,694 S \* 3/1934 Vogel ..... 177/241  
D96,041 S \* 6/1935 Jackson ..... D15/122  
2,329,135 A \* 9/1943 Peterson ..... B23Q 1/5443

409/168  
D167,628 S \* 9/1952 Herbert ..... 425/472  
D528,981 S \* 9/2006 Bennett ..... D13/113

\* cited by examiner

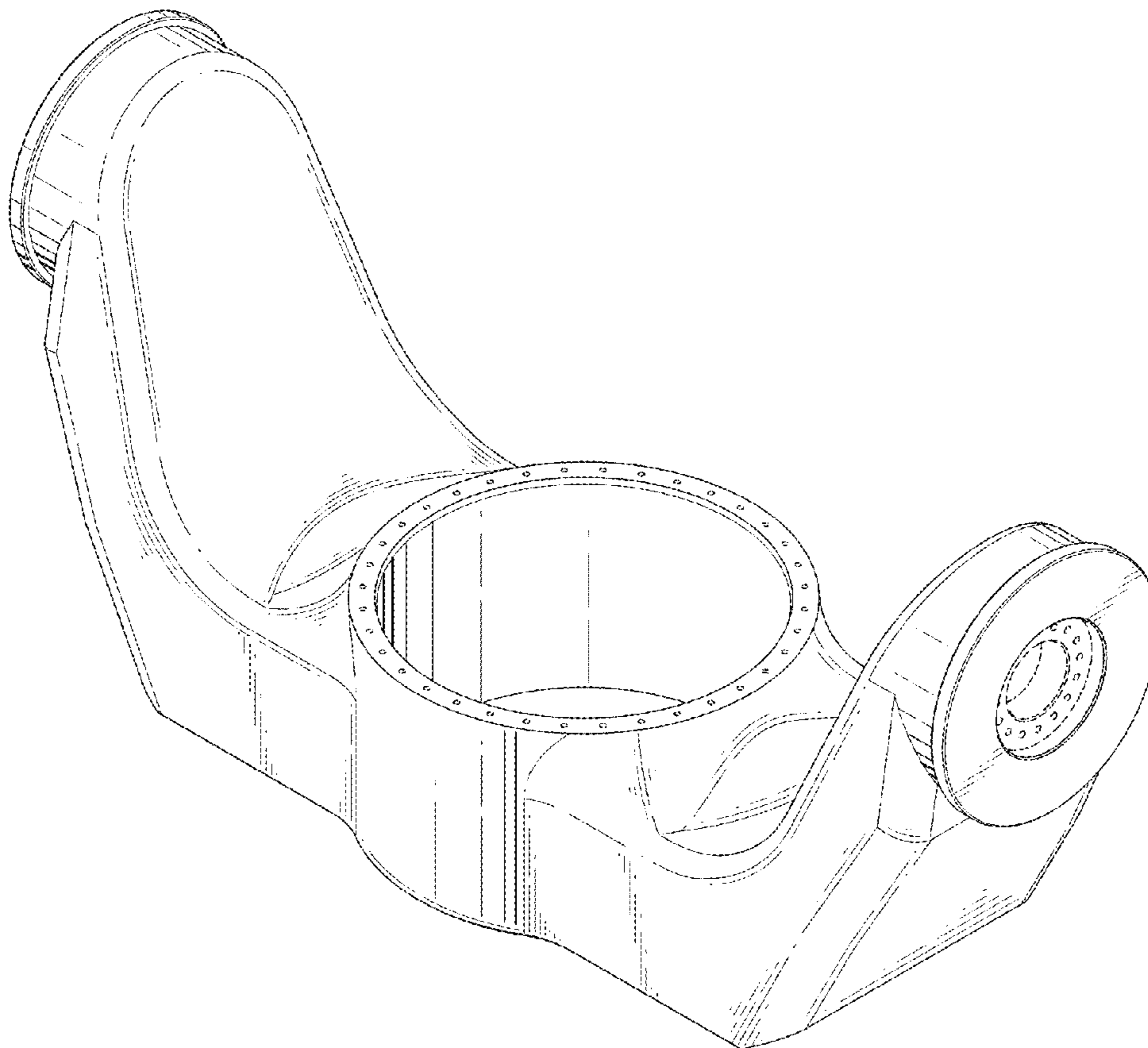
*Primary Examiner* — Patricia Palasik  
(74) *Attorney, Agent, or Firm* — Wang Law Firm, Inc.

(57) **CLAIM**  
The ornamental design for a machine casing, as shown and described.

**DESCRIPTION**

FIG. 1 is a perspective view of a machine casing showing my new design;  
FIG. 2 is a front view thereof, a rear view being a mirror image thereof;  
FIG. 3 is a right side view thereof, a left side view being a mirror image thereof;  
FIG. 4 is a top plan view thereof;  
FIG. 5 is a bottom plan view thereof;  
FIG. 6 is another perspective view from the bottom thereof; and,  
FIG. 7 is the other perspective view thereof shown in use.  
The broken lines in the drawings depict unclaimed environmental subject matter.

**1 Claim, 7 Drawing Sheets**



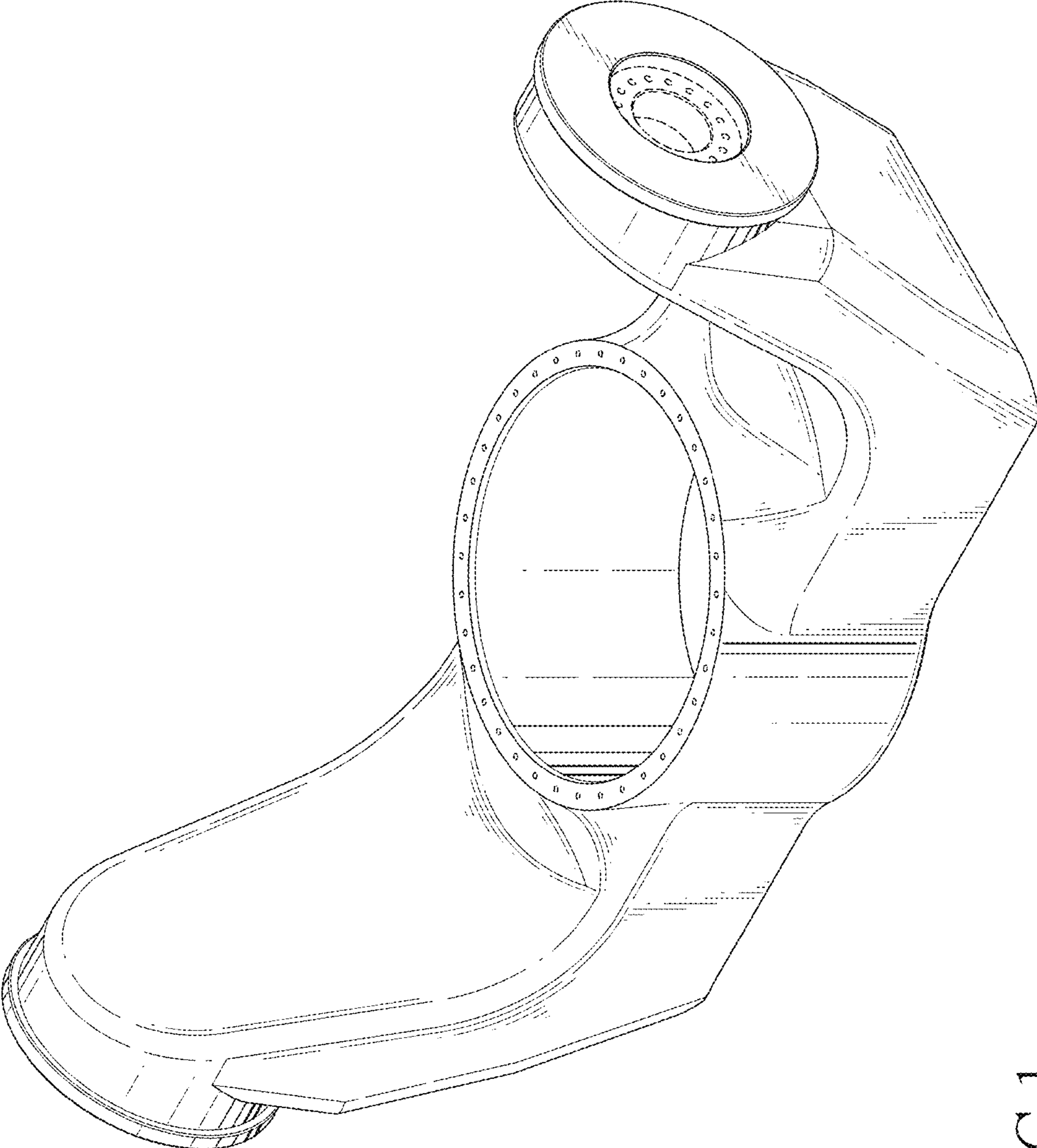


FIG.1

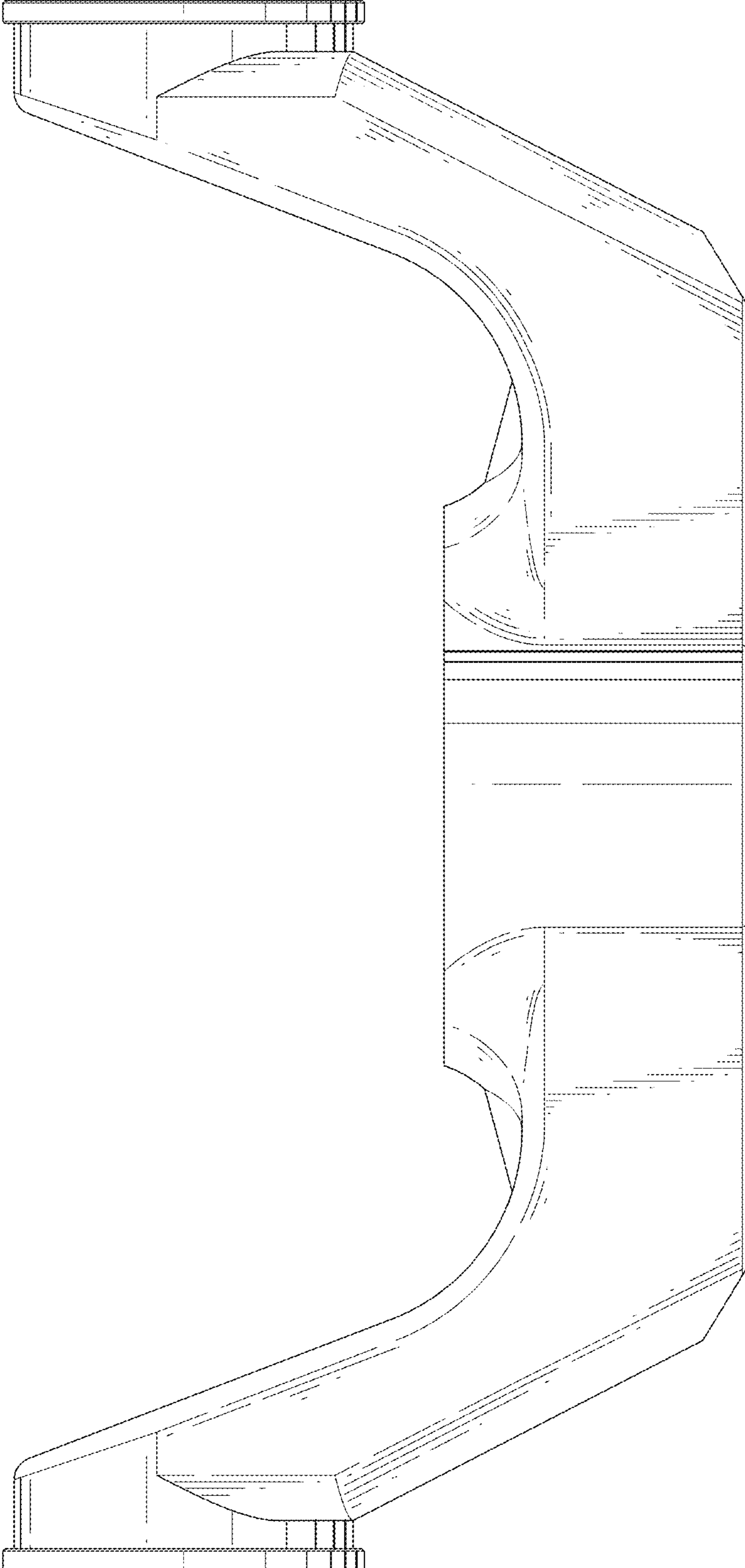


FIG.2

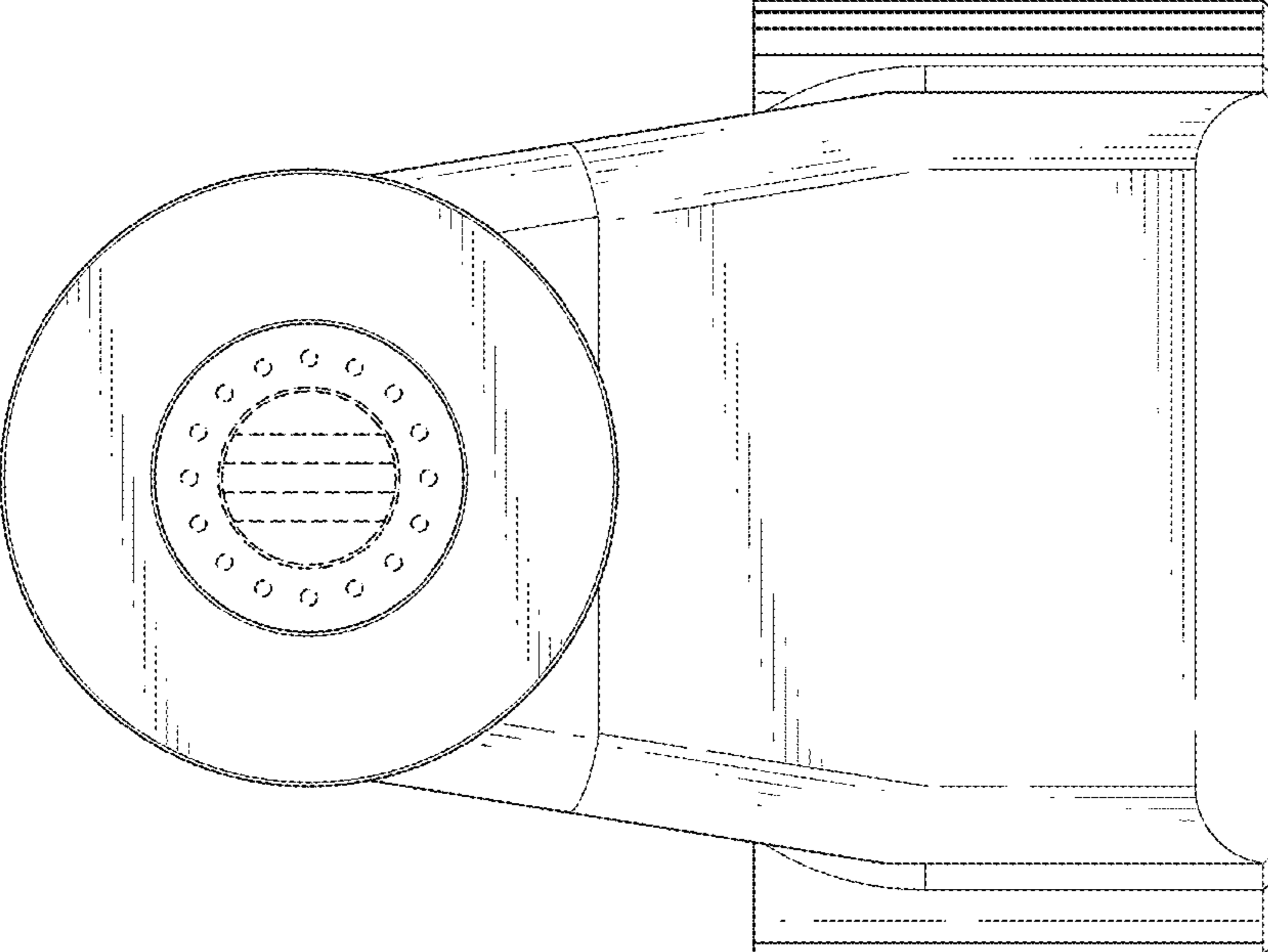


FIG.3

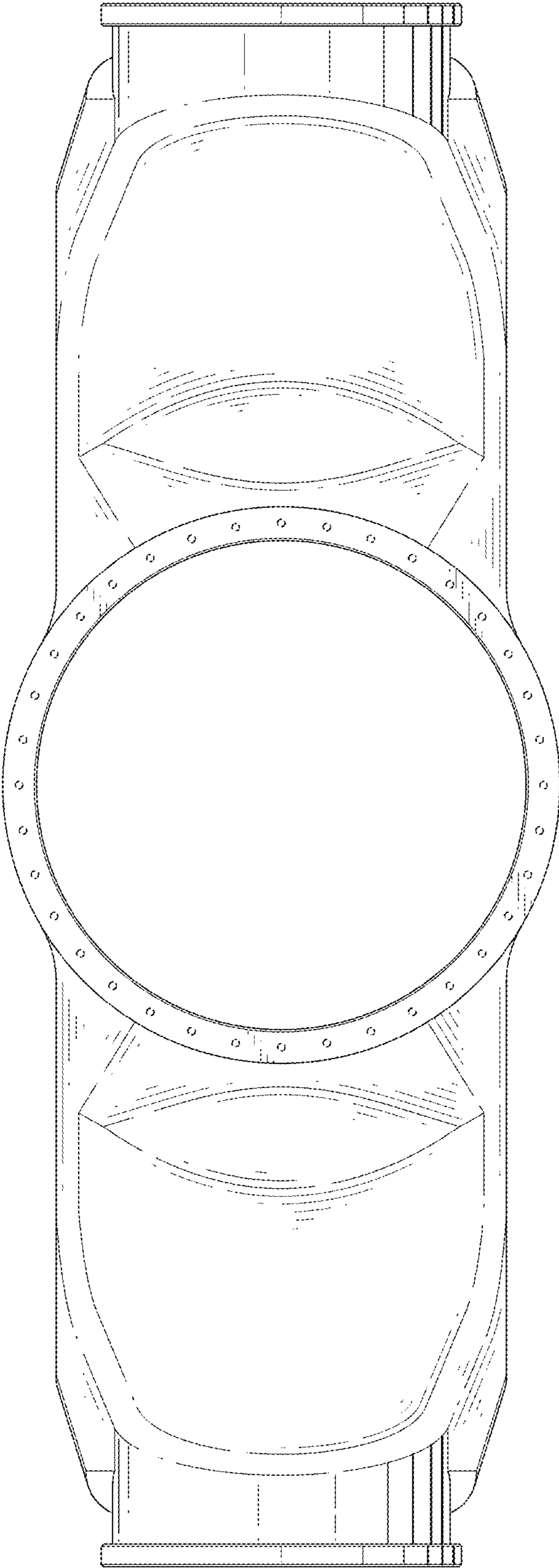


FIG.4

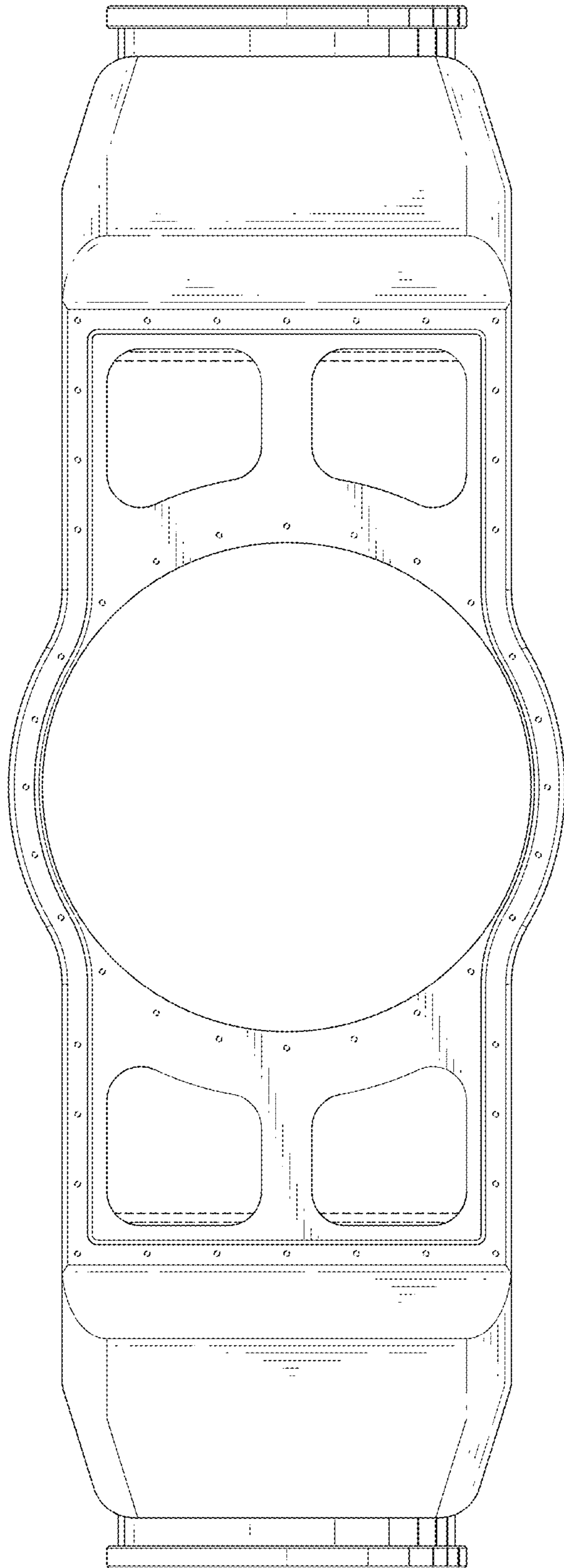


FIG. 5

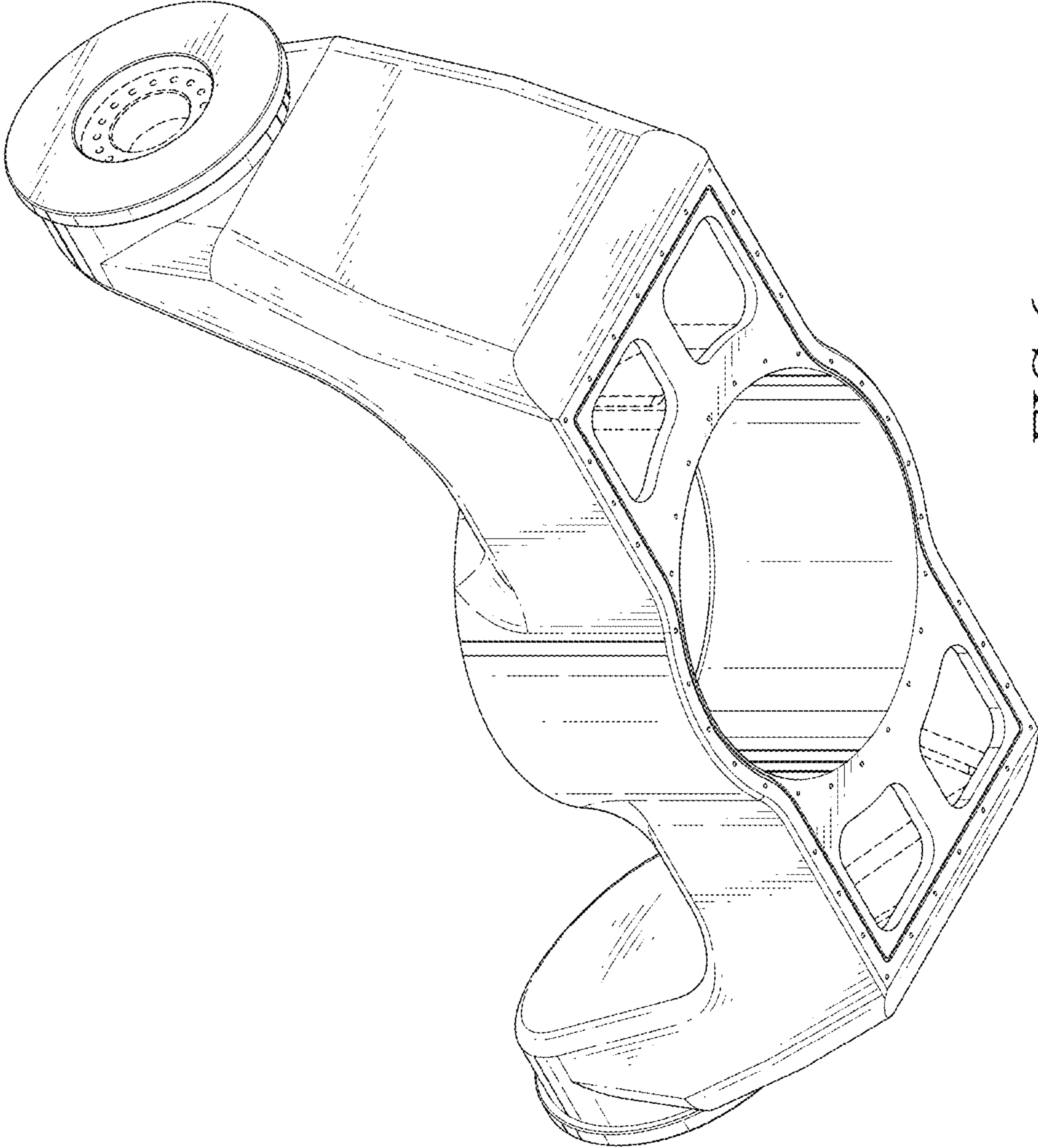


FIG.6

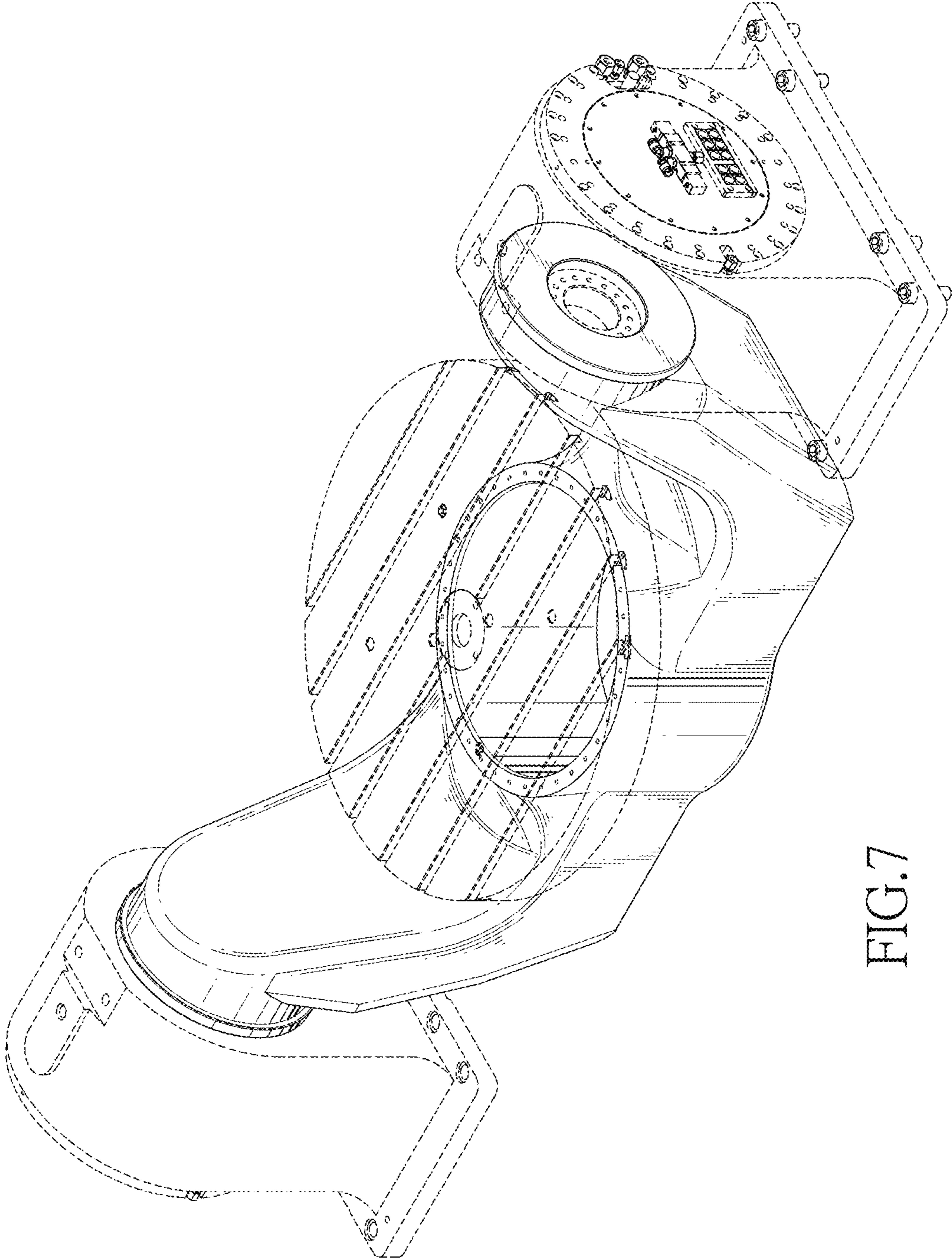


FIG. 7