

US00D769337S

(12) **United States Design Patent**
Asano

(10) **Patent No.:** **US D769,337 S**
(45) **Date of Patent:** **** Oct. 18, 2016**

(54) **SEWING MACHINE**

(71) Applicant: **BROTHER INDUSTRIES, LTD.**,
Nagoya-shi, Aichi-ken (JP)

(72) Inventor: **Masahide Asano**, Nagoya (JP)

(73) Assignee: **BROTHER INDUSTRIES, LTD.**,
Nagoya (JP)

(**) Term: **15 Years**

(21) Appl. No.: **29/528,617**

(22) Filed: **May 29, 2015**

(51) **LOC (10) Cl.** **15-06**

(52) **U.S. Cl.**
USPC **D15/69**

(58) **Field of Classification Search**
USPC D15/66-76
CPC D05B 1/00-25/00
See application file for complete search history.

(56) **References Cited**

U.S. PATENT DOCUMENTS

D450,720 S * 11/2001 Kuroki D15/69
D520,027 S * 5/2006 Kuroki D15/69

D578,552 S * 10/2008 Inada D15/69
D594,481 S * 6/2009 Inada D15/69
D628,605 S * 12/2010 Mutoh D15/69
D671,567 S * 11/2012 Muto D15/69
D724,110 S * 3/2015 Asano D15/69
D724,111 S * 3/2015 Asano D15/69

* cited by examiner

Primary Examiner — Mitchell Siegel

(74) *Attorney, Agent, or Firm* — Oliff PLC

(57) **CLAIM**

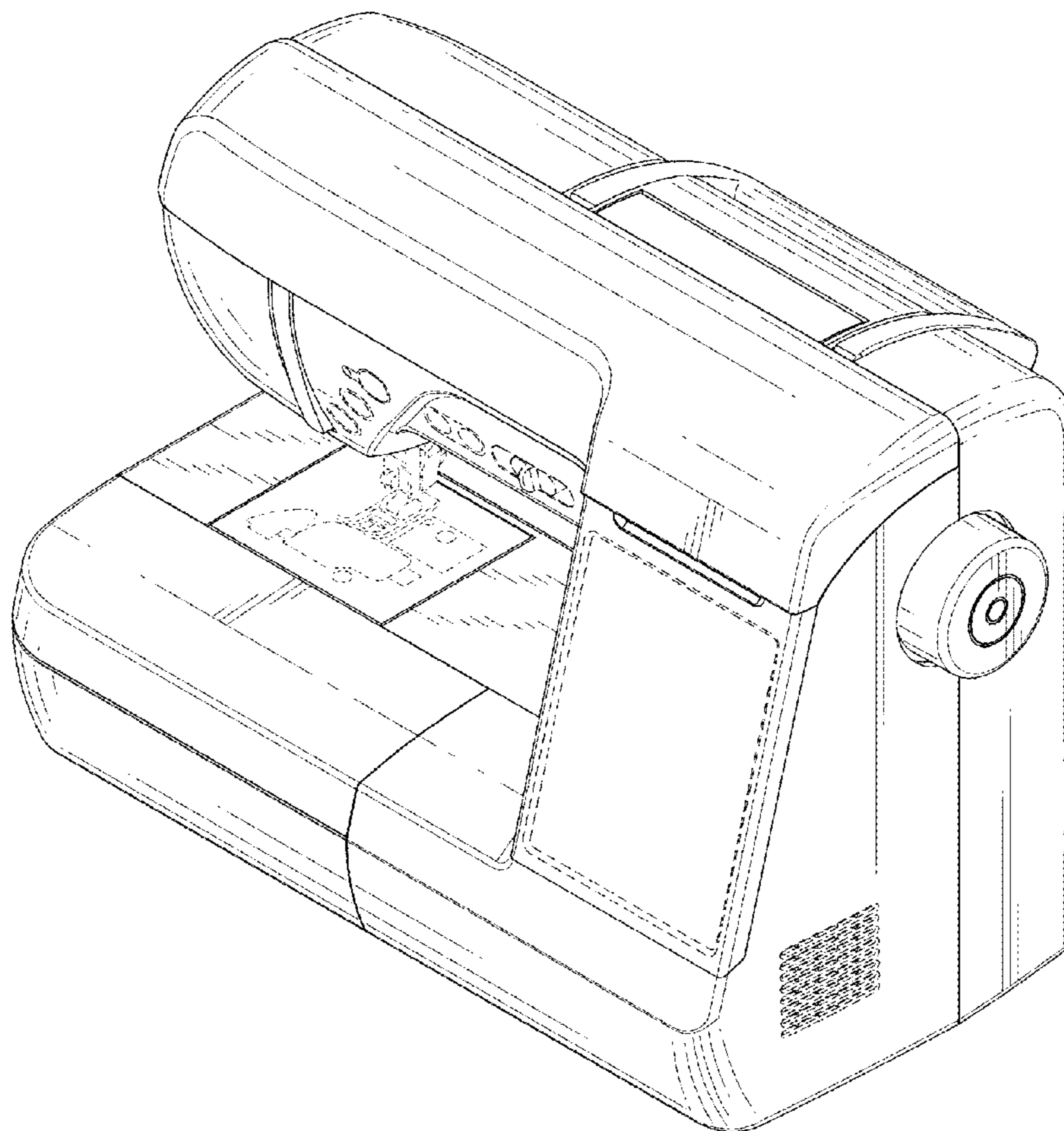
The ornamental design for a sewing machine, as shown and described.

DESCRIPTION

FIG. 1 is a perspective view of a sewing machine;
FIG. 2 is a front view thereof;
FIG. 3 is a top view thereof;
FIG. 4 is a right-side view thereof;
FIG. 5 is a left-side view thereof;
FIG. 6 is a rear view thereof; and,
FIG. 7 is a bottom view thereof.

The broken lines depict environmental subject matter only and form no part of the claimed design.

1 Claim, 7 Drawing Sheets



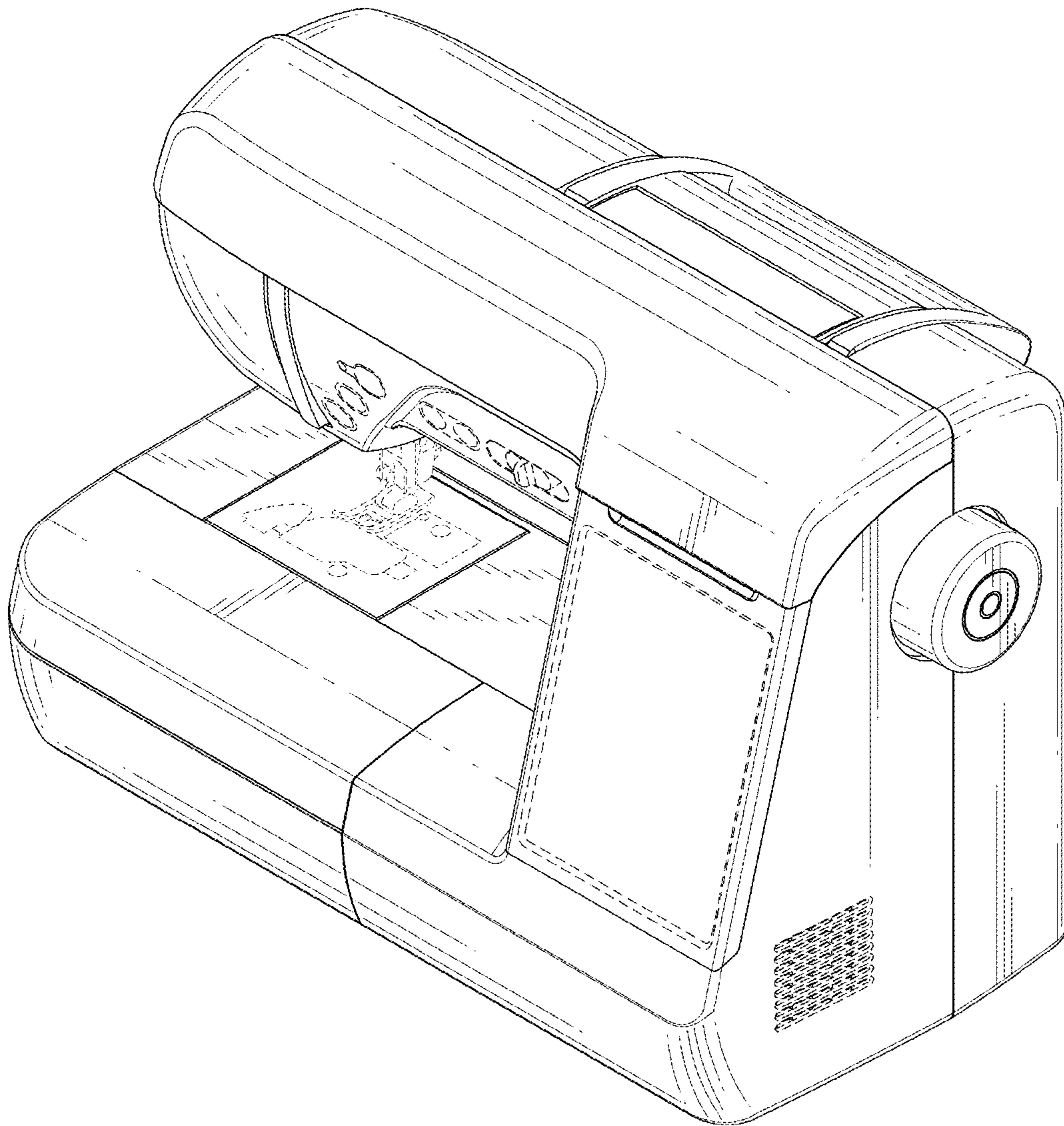


FIG. 1

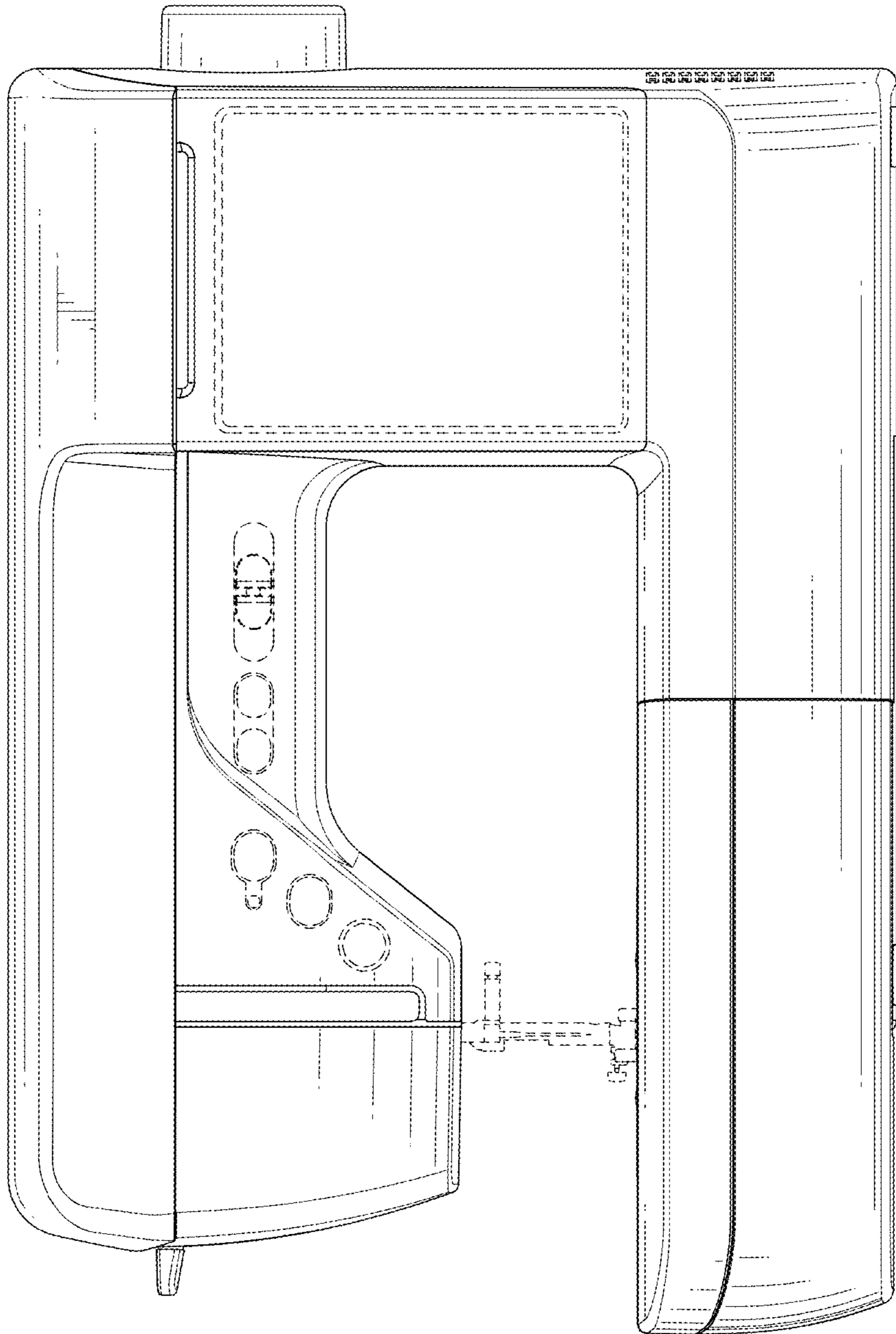


FIG. 2

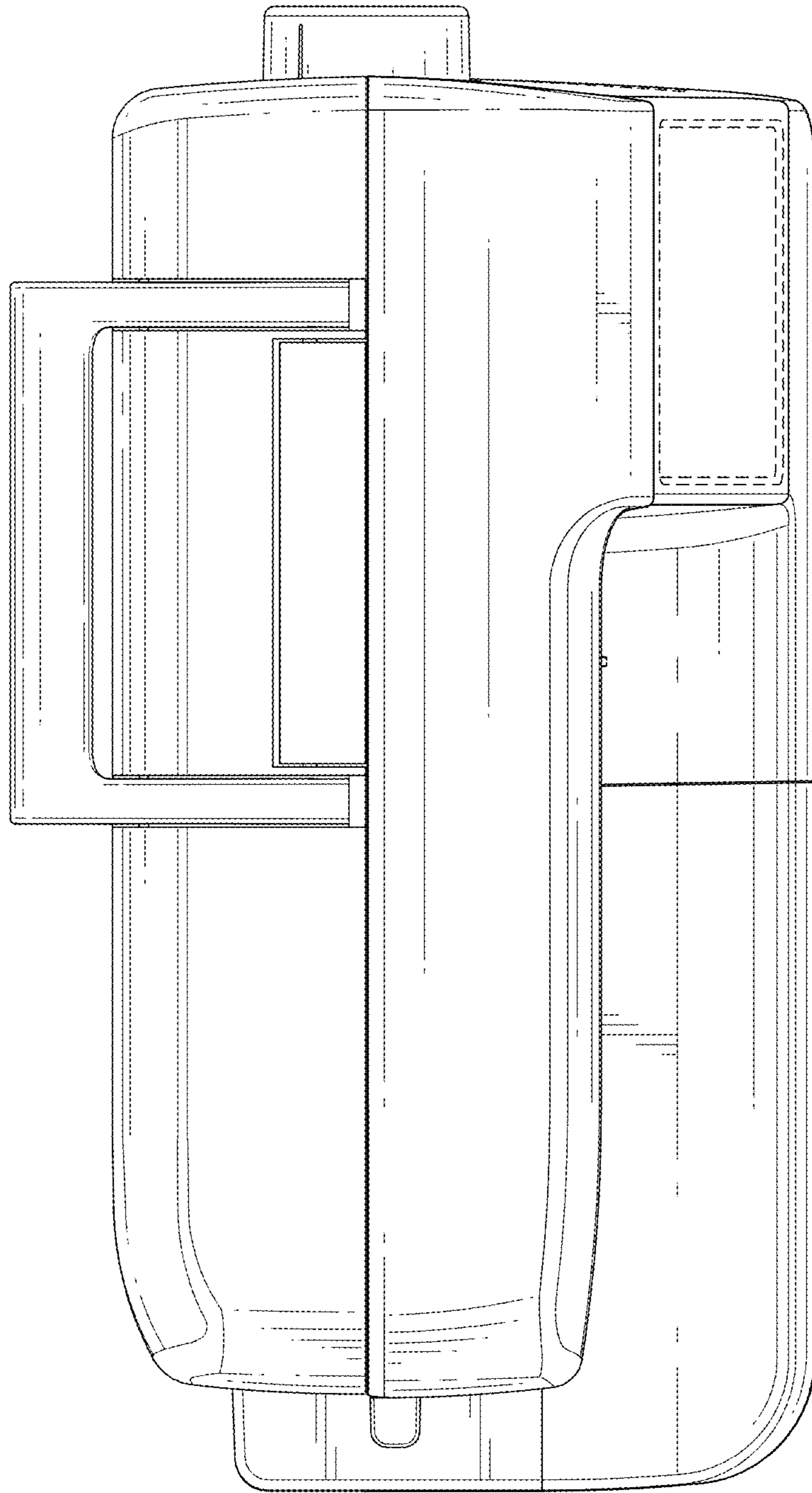


FIG. 3

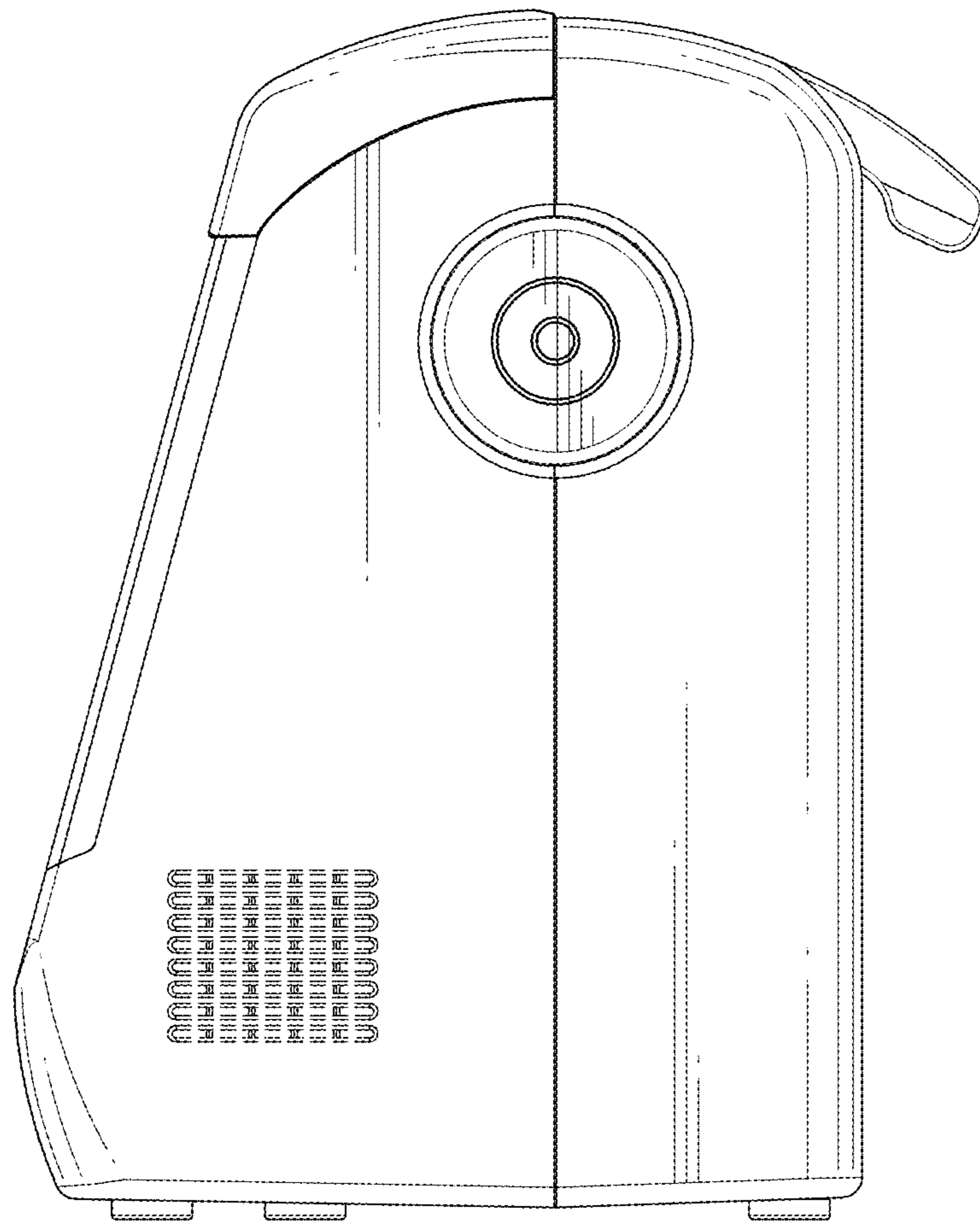


FIG. 4

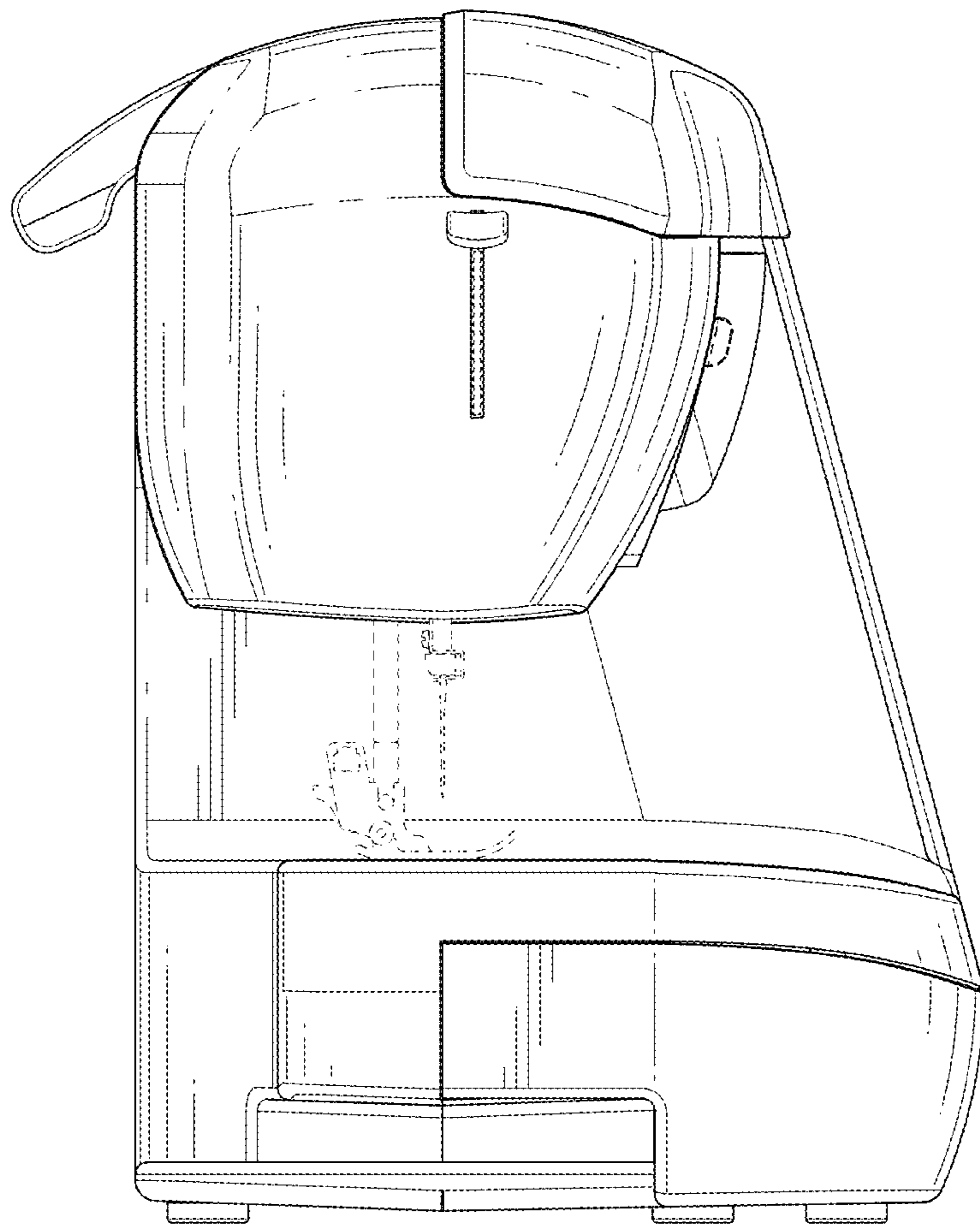


FIG. 5

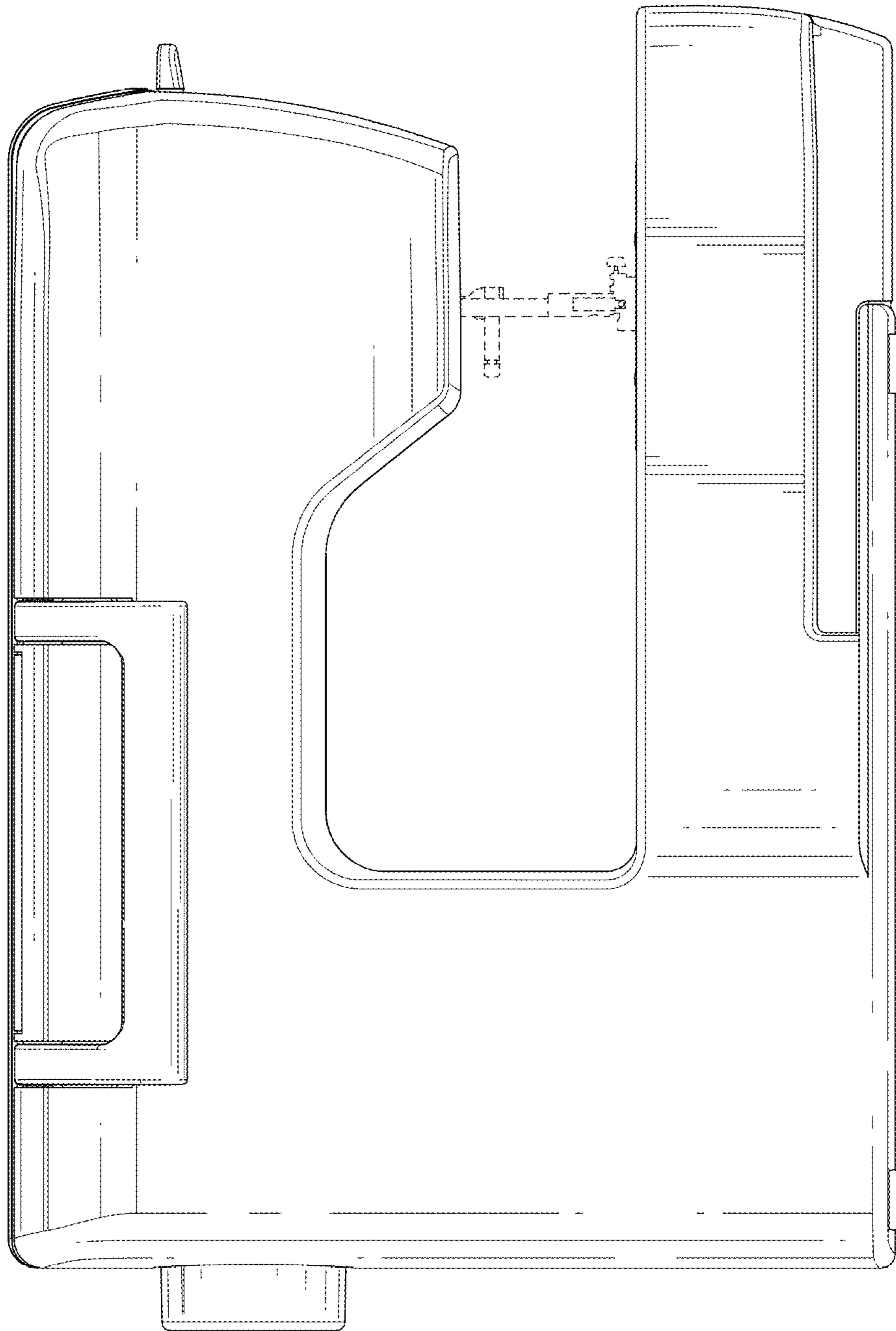


FIG. 6

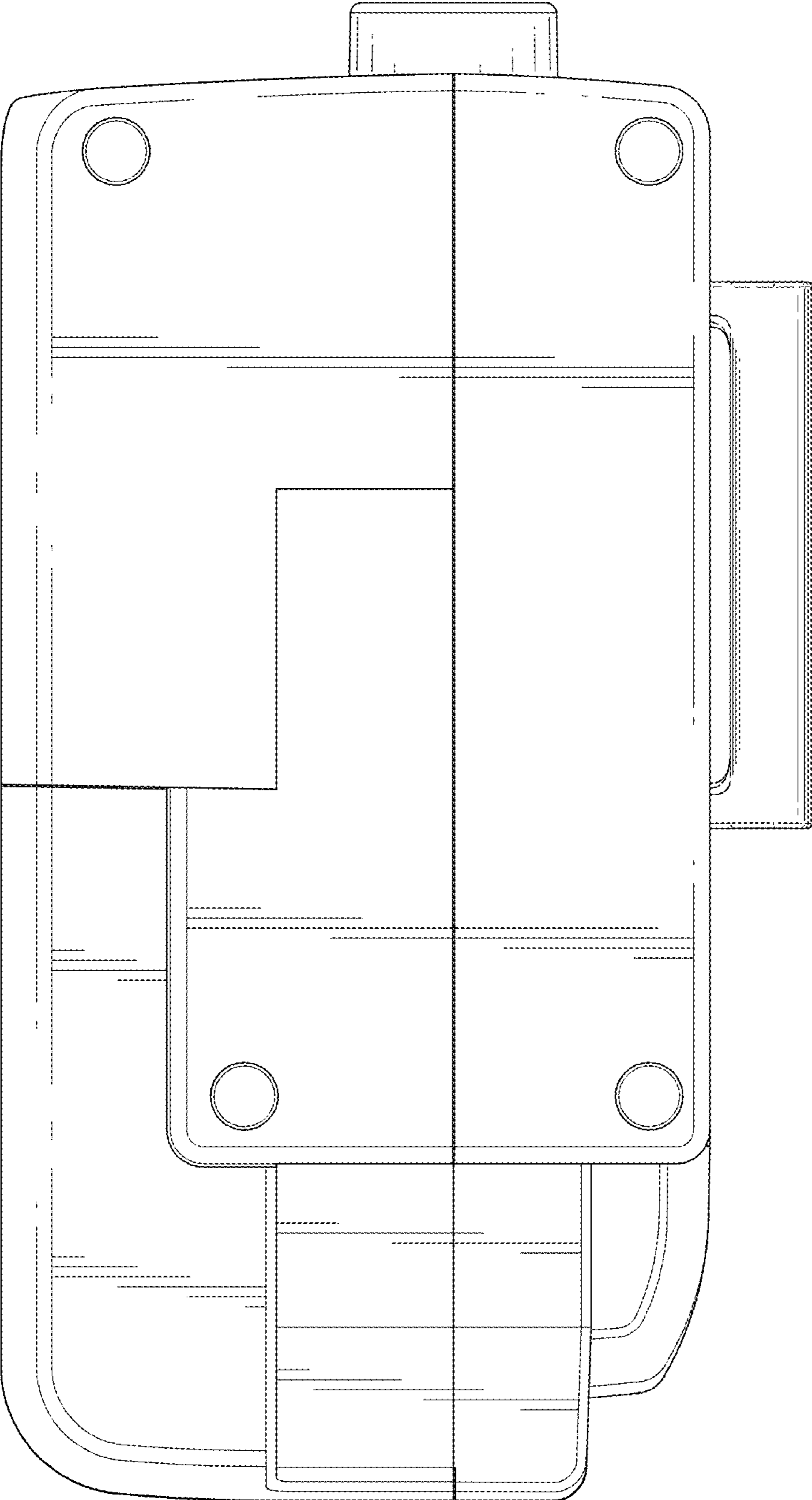


FIG. 7