



US00D769336S

(12) **United States Design Patent** (10) **Patent No.:** **US D769,336 S**
Nanno (45) **Date of Patent:** **** Oct. 18, 2016**

(54) **SEWING MACHINE**

(71) Applicant: **BROTHER INDUSTRIES, LTD.**,
Nagoya-shi, Aichi-ken (JP)

(72) Inventor: **Ai Nanno**, Nagoya (JP)

(73) Assignee: **BROTHER INDUSTRIES, LTD.**,
Nagoya (JP)

(**) Term: **14 Years**

(21) Appl. No.: **29/522,524**

(22) Filed: **Mar. 31, 2015**

(51) **LOC (10) Cl.** **15-06**

(52) **U.S. Cl.**
USPC **D15/69**

(58) **Field of Classification Search**
USPC D15/66-76
CPC D05B 1/00-25/00
See application file for complete search history.

(56) **References Cited**

U.S. PATENT DOCUMENTS

D267,881 S *	2/1983	Current	D15/68
4,407,211 A *	10/1983	Kiyoshima	D05B 1/20 112/260
D307,024 S *	4/1990	Itoh	D15/69
D309,739 S *	8/1990	Itoh	D15/69
D321,518 S *	11/1991	Uchida	D15/69
D338,021 S *	8/1993	Uchida	D15/69
D338,022 S *	8/1993	Takada	D15/69
5,471,941 A *	12/1995	Sakuma	D05B 47/04 112/255

D372,720 S *	8/1996	Hattori	D15/69
D392,294 S *	3/1998	Kato	D15/69
D450,721 S *	11/2001	Kawaguchi	D15/69
D462,368 S *	9/2002	Kuroki	D15/69
D465,793 S *	11/2002	Takada	D15/69
D478,337 S *	8/2003	Kuroki	D15/69
D478,916 S *	8/2003	Kuroki	D15/69
D482,702 S *	11/2003	Kawaguchi	D15/69
D553,650 S *	10/2007	Muto	D15/69
D555,176 S *	11/2007	Ogawa	D15/69
D601,594 S *	10/2009	Gustafsson	D15/69
D632,706 S *	2/2011	Hattori	D15/69
D648,757 S *	11/2011	Muto	D15/69
D700,634 S *	3/2014	Saitou	D15/69
D719,985 S *	12/2014	Tseng	D15/69
D730,411 S *	5/2015	Kudo	D15/69

* cited by examiner

Primary Examiner — Mitchell Siegel

(74) *Attorney, Agent, or Firm* — Oliff PLC

(57) **CLAIM**

The ornamental design for a sewing machine, as shown and described.

DESCRIPTION

FIG. 1 is a perspective view of a sewing machine;

FIG. 2 is a front view thereof;

FIG. 3 is a top view thereof;

FIG. 4 is a right-side view thereof;

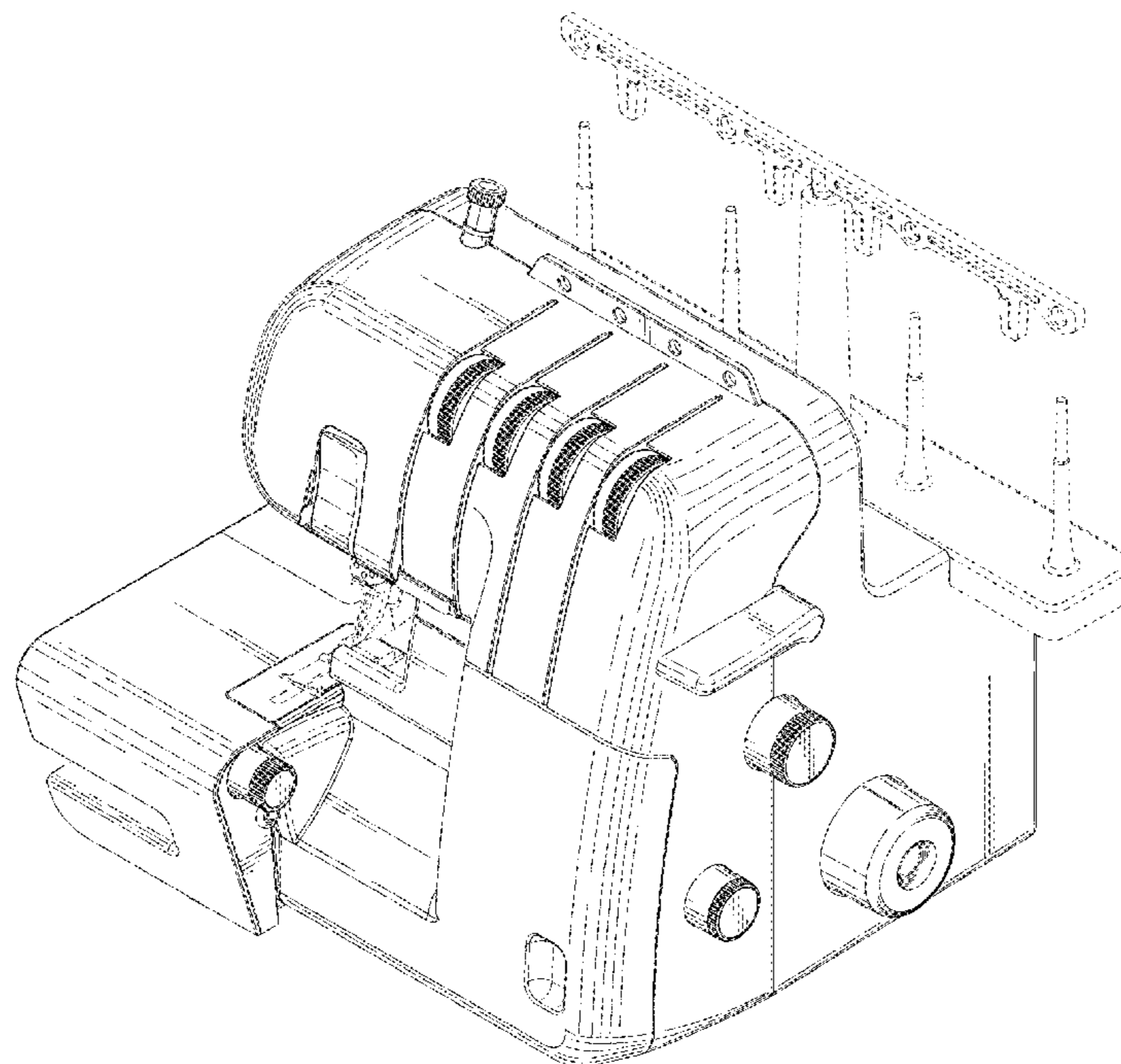
FIG. 5 is a left-side view thereof;

FIG. 6 is a rear view thereof; and,

FIG. 7 is a bottom view thereof.

The broken lines depict environmental subject matter only and form no part of the claimed design.

1 Claim, 7 Drawing Sheets



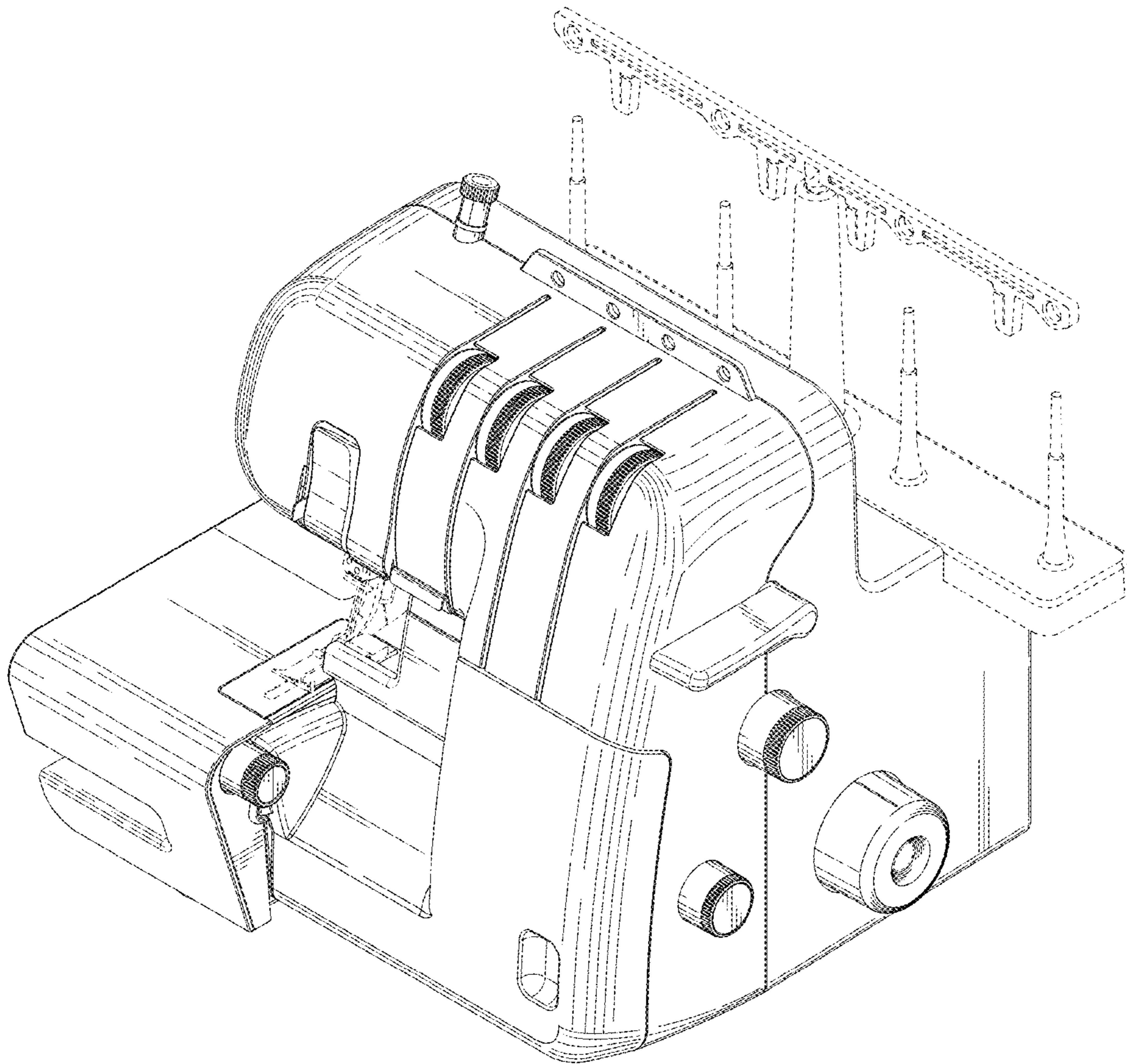


FIG. 1

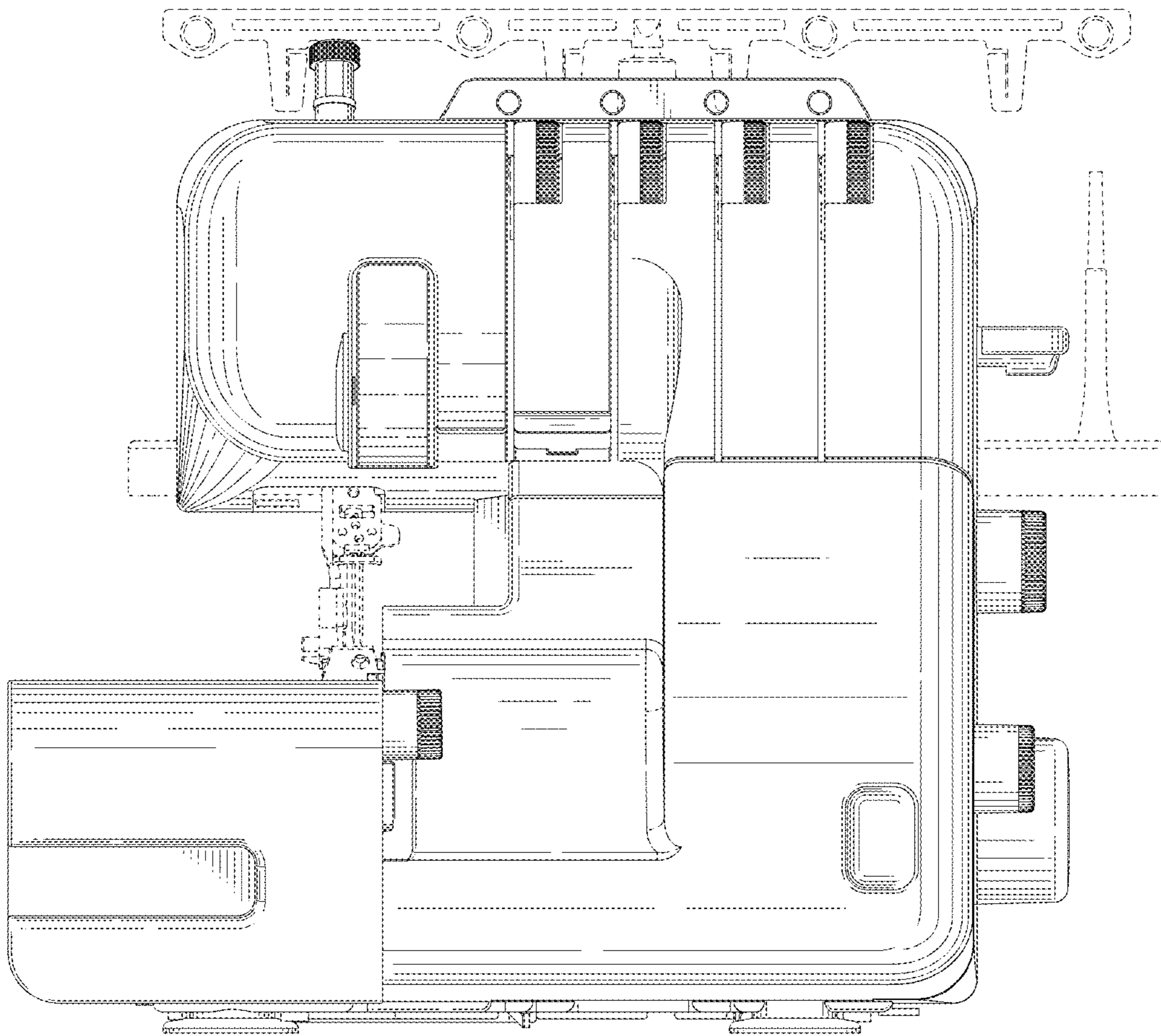


FIG. 2

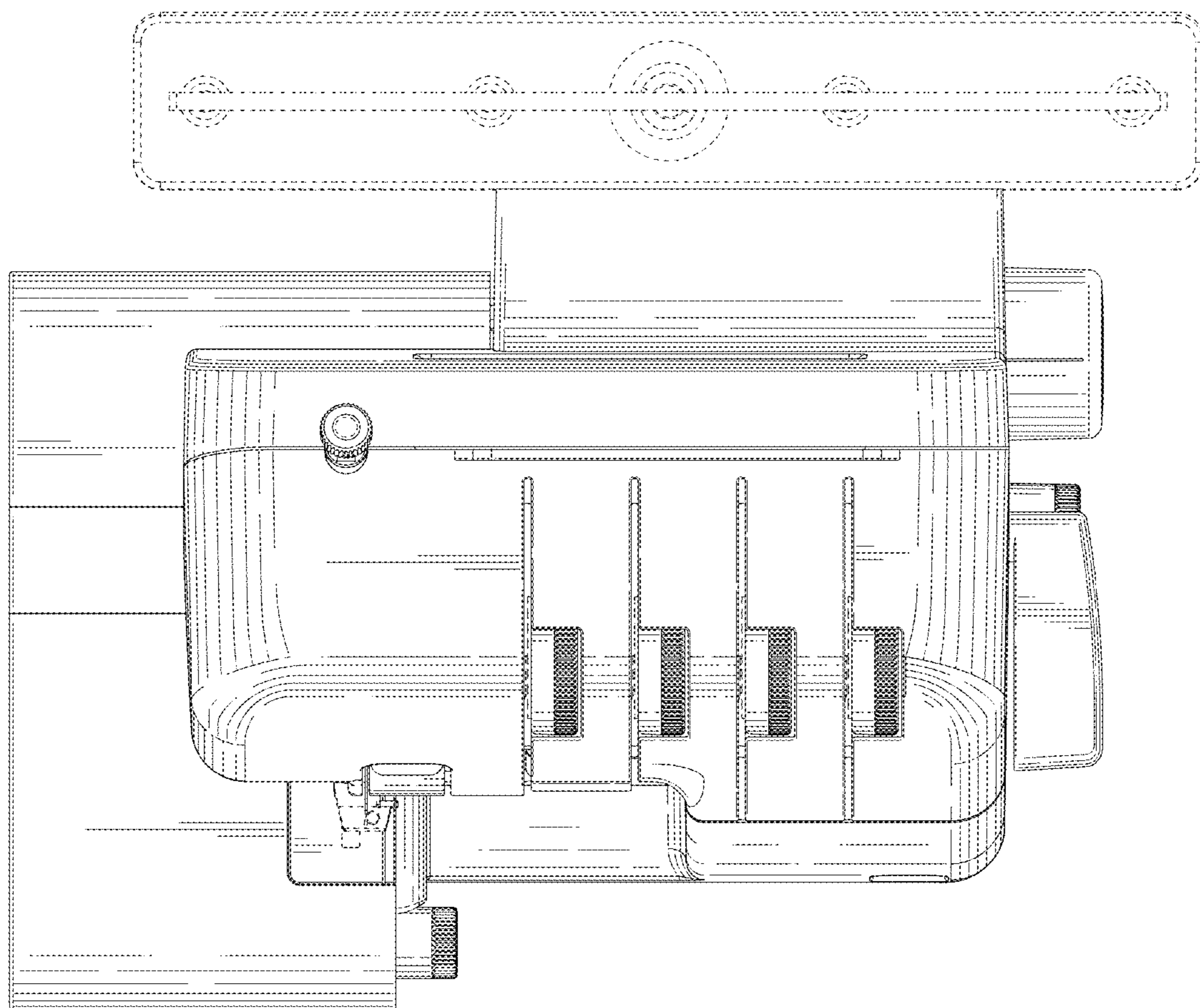


FIG. 3

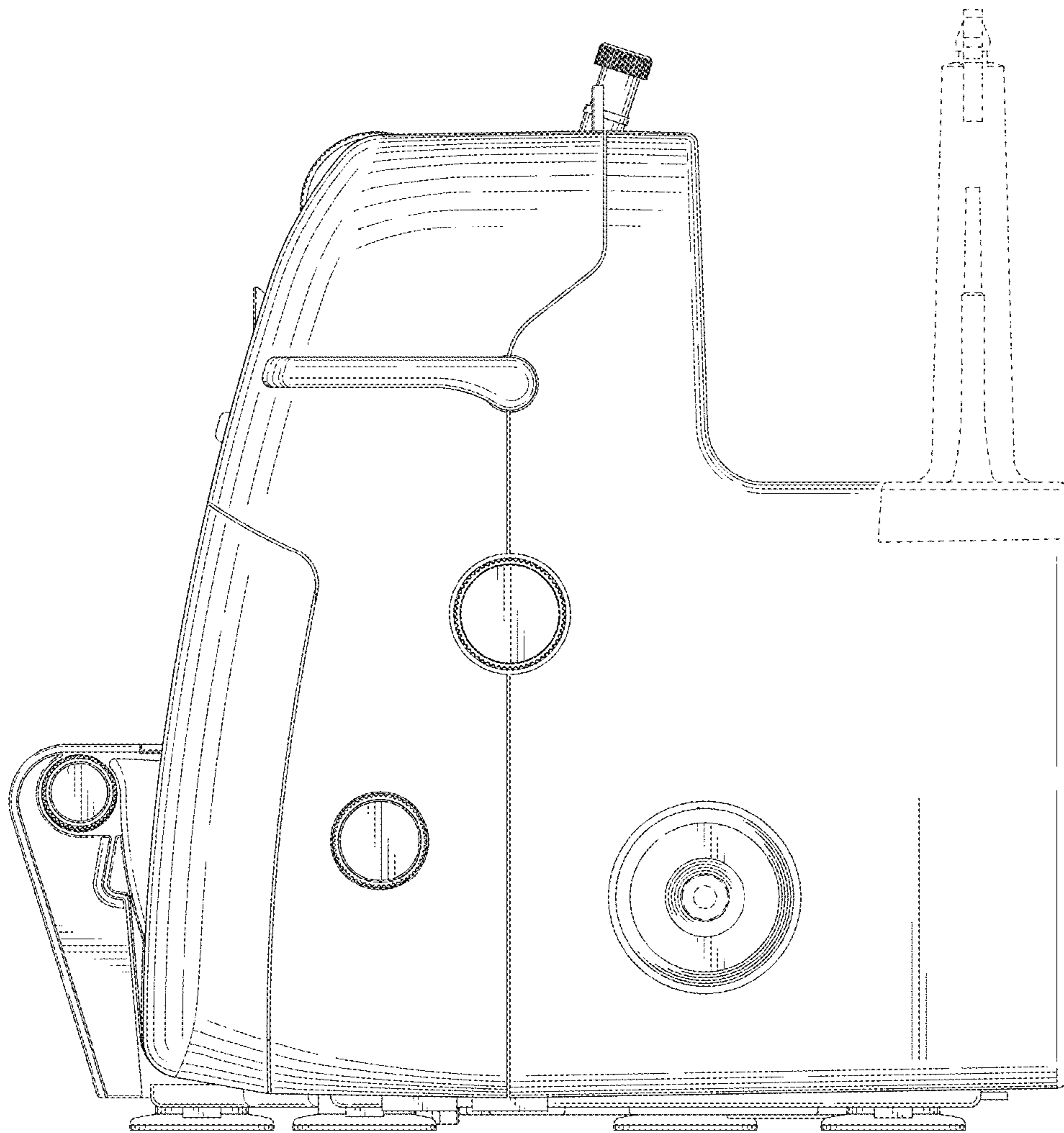


FIG. 4

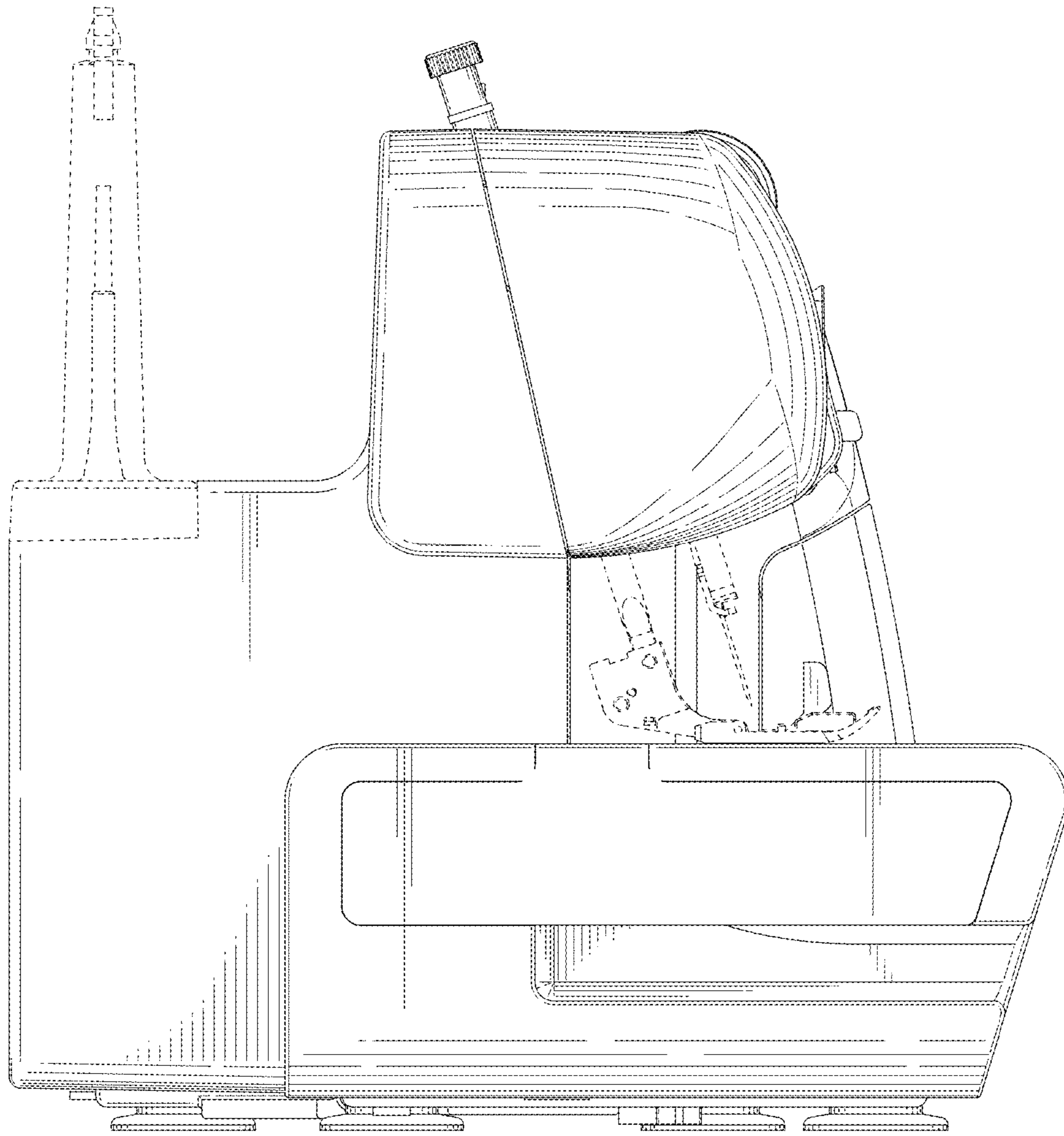


FIG. 5

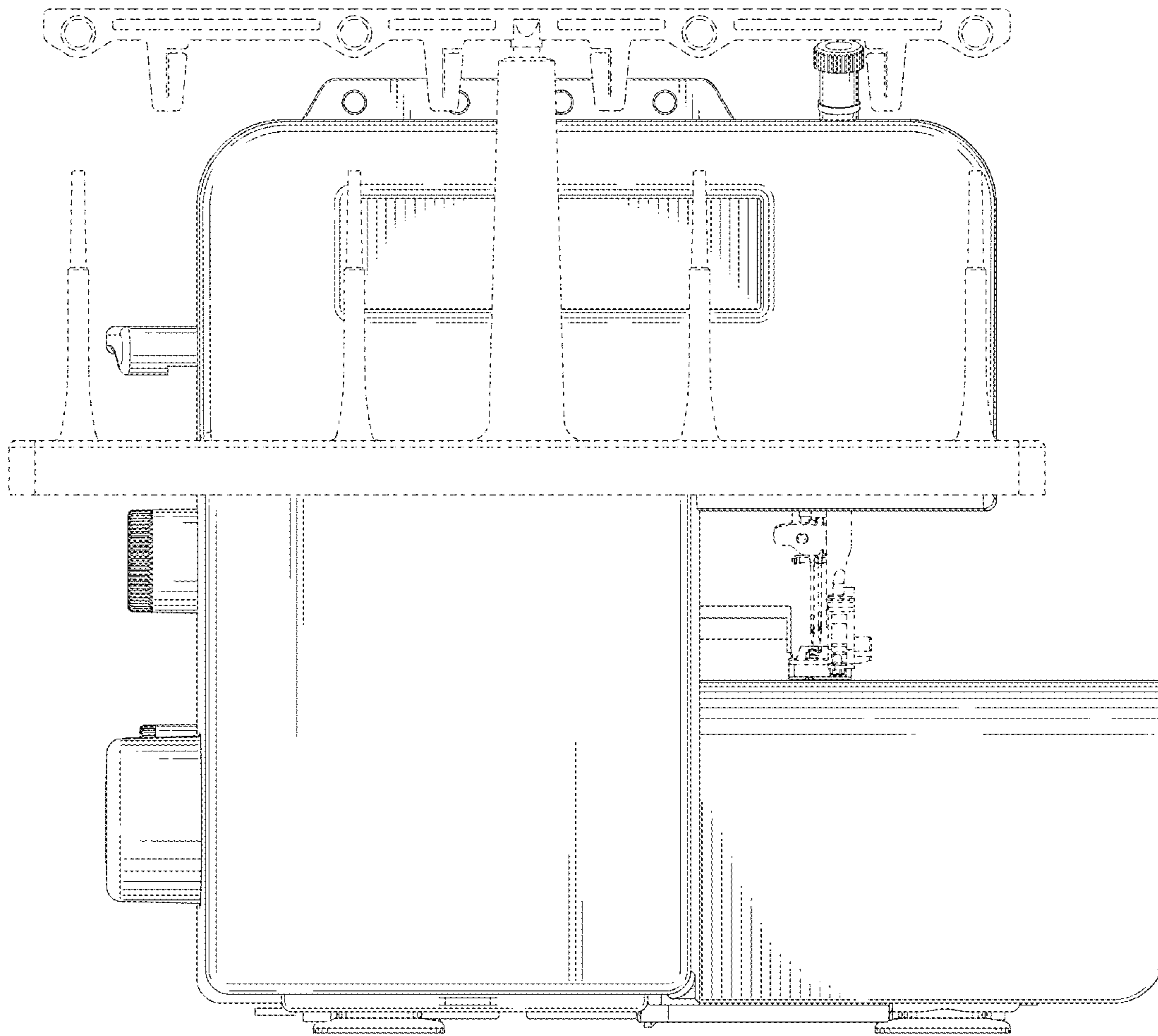


FIG. 6

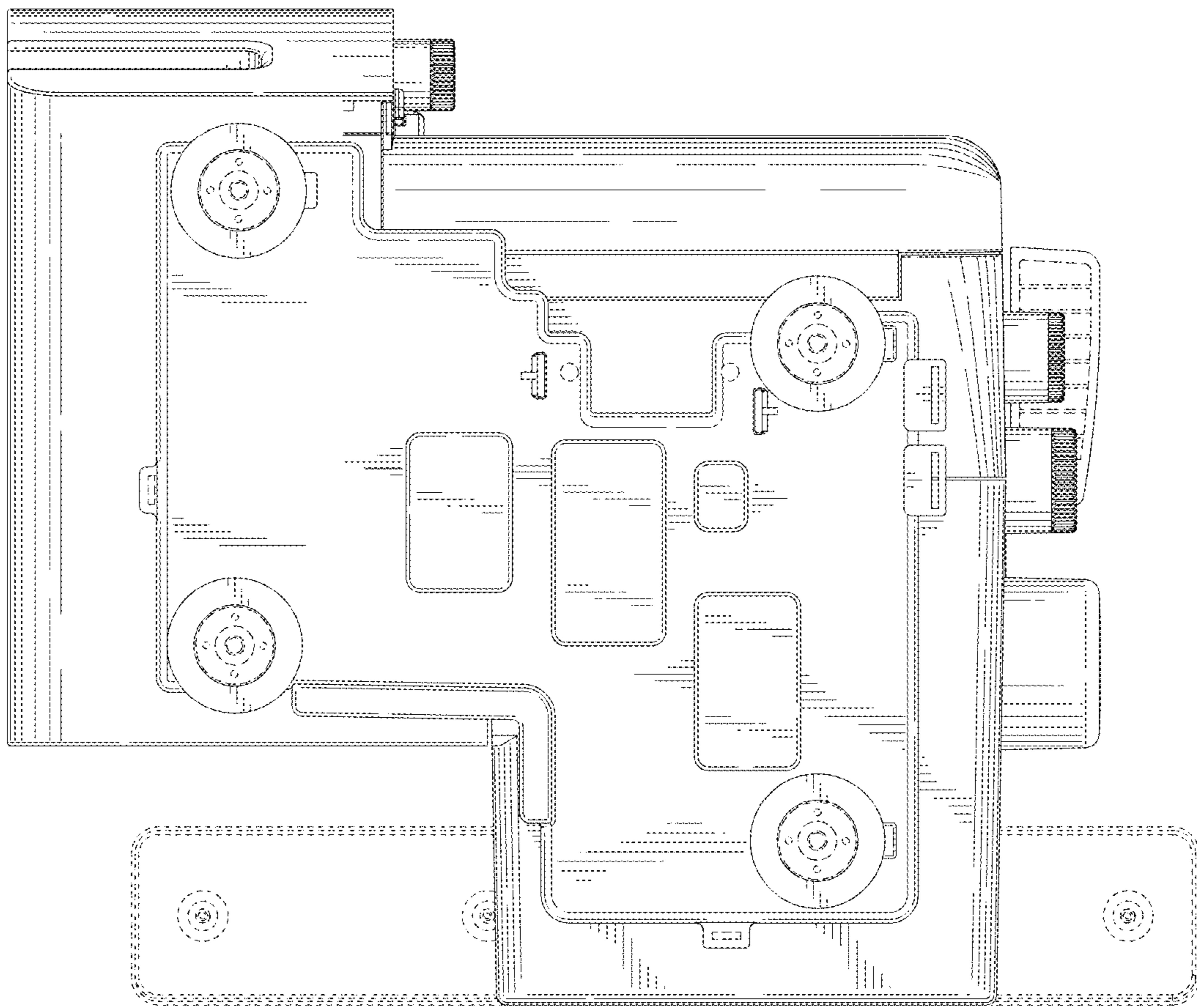


FIG. 7