



US00D769335S

(12) **United States Design Patent** (10) **Patent No.:** **US D769,335 S**
Esqueda et al. (45) **Date of Patent:** **** *Oct. 18, 2016**

- (54) **FRONTLOADER**
- (71) Applicant: **Deere & Company**, Moline, IL (US)
- (72) Inventors: **Daniel Esqueda**, Monterrey (MX);
Israel Priego, Monterrey (MX)
- (73) Assignee: **DEERE & COMPANY**, Moline, IL (US)
- (*) Notice: This patent is subject to a terminal disclaimer.
- (**) Term: **14 Years**
- (21) Appl. No.: **29/506,413**
- (22) Filed: **Oct. 15, 2014**
- (30) **Foreign Application Priority Data**
Apr. 16, 2014 (DE) 001409205
- (51) **LOC (10) Cl.** **15-03**
- (52) **U.S. Cl.**
USPC **D15/32**
- (58) **Field of Classification Search**
USPC D15/10, 22-26, 28, 29, 32
CPC E02F 9/2275; E02F 3/34; E02F 3/28;
E02F 3/36; E02F 3/6273; E02F 3/627;
E02F 3/432; E02F 3/422; E02F 3/3408;
E02F 3/382
See application file for complete search history.

- (56) **References Cited**
U.S. PATENT DOCUMENTS
2,989,199 A * 6/1961 Hough et al. 414/706
4,161,369 A * 7/1979 Moreno 414/722
4,162,872 A * 7/1979 Grooss et al. 414/713
4,576,543 A * 3/1986 Kuchyt et al. 414/722
D339,813 S * 9/1993 Houkom D15/32
5,611,657 A * 3/1997 Peterson 414/722

- D405,098 S * 2/1999 Andrews et al. D15/28
- D410,240 S * 5/1999 Sasaki D15/32
- D412,913 S * 8/1999 Sasaki D15/32
- D451,105 S * 11/2001 Masumoto et al. D15/28
- D459,368 S * 6/2002 Westendorf et al. D15/32
- D469,448 S * 1/2003 Bares et al. D15/32
- D507,004 S * 7/2005 Westendorf et al. D15/32
- D518,075 S * 3/2006 Westendorf et al. D15/32
- D528,569 S * 9/2006 Nilsson D15/32
- D529,053 S * 9/2006 Stender et al. D15/32
- D533,883 S * 12/2006 Higashikawa et al. D15/32
- 7,281,890 B2 * 10/2007 Friesen et al. 414/686
- D562,351 S * 2/2008 Higashikawa D15/28
- 7,451,587 B2 * 11/2008 Komiya et al. 56/17.1
- D584,749 S * 1/2009 Smith et al. D15/28
- D595,746 S * 7/2009 Iida et al. D15/32
- D598,031 S * 8/2009 Smith et al. D15/28
- D602,508 S * 10/2009 Shimomura et al. D15/32
- D610,172 S * 2/2010 Yukino et al. D15/32
- D628,604 S * 12/2010 Major D15/32
- D646,306 S * 10/2011 Bradley et al. D15/32
- D649,170 S * 11/2011 Barba D15/32
- D649,171 S * 11/2011 Barba D15/32
- D656,164 S * 3/2012 Nilsson D15/32
- D656,523 S * 3/2012 Nilsson D15/32
- D672,372 S * 12/2012 Nilsson D15/32
- D739,446 S * 9/2015 Nilsson D15/32

(Continued)

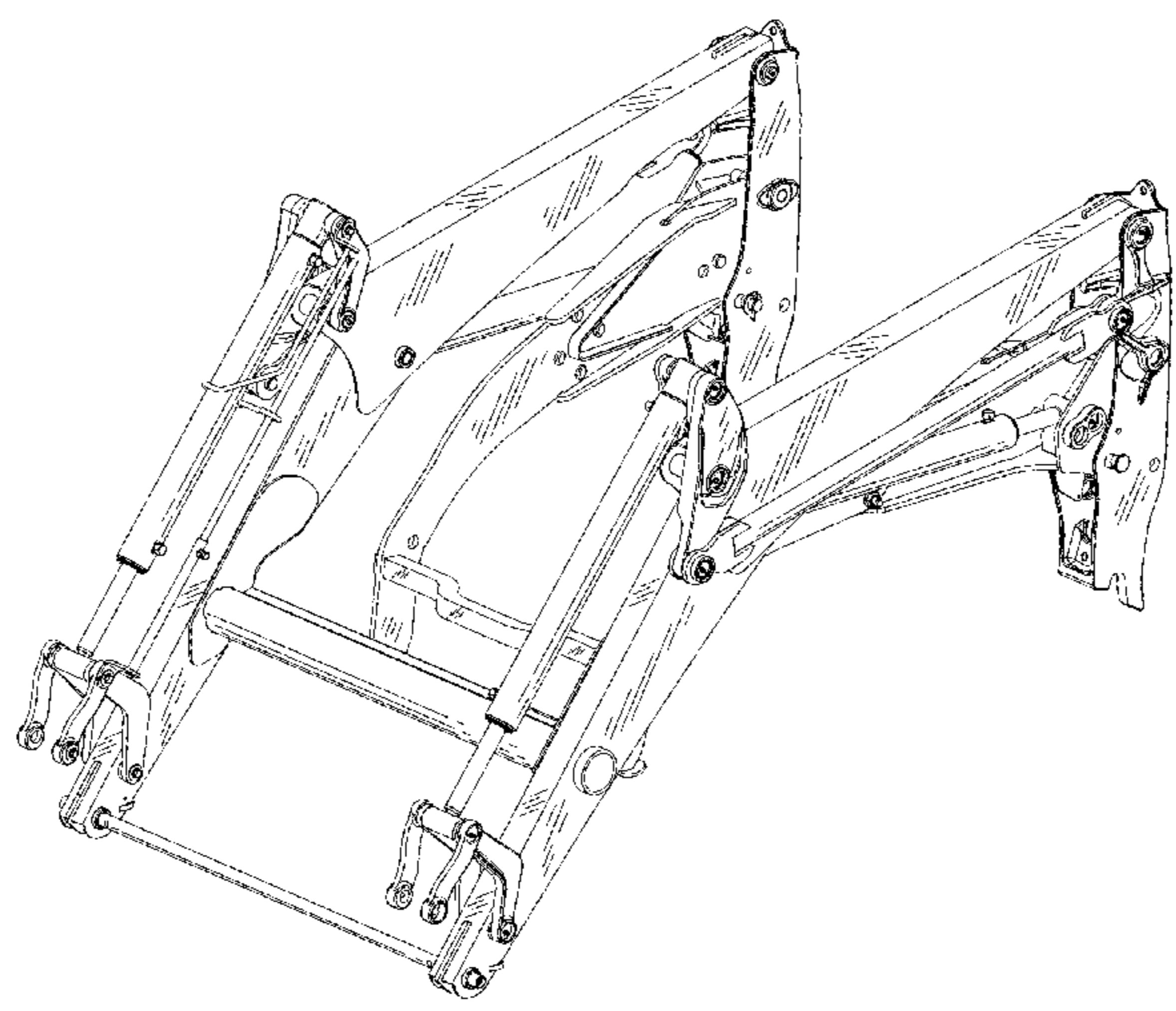
Primary Examiner — Mitchell Siegel

(57) **CLAIM**
The ornamental design for a frontloader, design as shown and described.

DESCRIPTION

FIG. 1 is the perspective view of the frontloader.
FIG. 2 is the left side view of the frontloader.
FIG. 3 is the right side view of the frontloader.
FIG. 4 is the front view of the frontloader.
FIG. 5 is the rear view of the frontloader.
FIG. 6 is the top view of the frontloader; and,
FIG. 7 is the bottom view of the frontloader.

1 Claim, 7 Drawing Sheets



(56)

References Cited

U.S. PATENT DOCUMENTS

2003/0118432	A1 *	6/2003	Lee	414/722	2006/0245899	A1 *	11/2006	Lyons et al.	414/686
2004/0161325	A1 *	8/2004	Yoshii et al.	414/686	2007/0020078	A1 *	1/2007	Frey	414/686
2004/0228717	A1 *	11/2004	Perrin et al.	414/723	2007/0031233	A1 *	2/2007	Frey	414/685
2006/0073003	A1 *	4/2006	Fukudome et al.	414/686	2007/0217899	A1 *	9/2007	Sakada	414/722
2006/0182592	A1 *	8/2006	Stender et al.	414/686	2007/0243052	A1 *	10/2007	Fukudome et al.	414/723
						2007/0292255	A1 *	12/2007	Nilsson	414/686
						2008/0063502	A1 *	3/2008	Nilsson	414/685
						2008/0193269	A1 *	8/2008	Sakada et al.	414/722

* cited by examiner

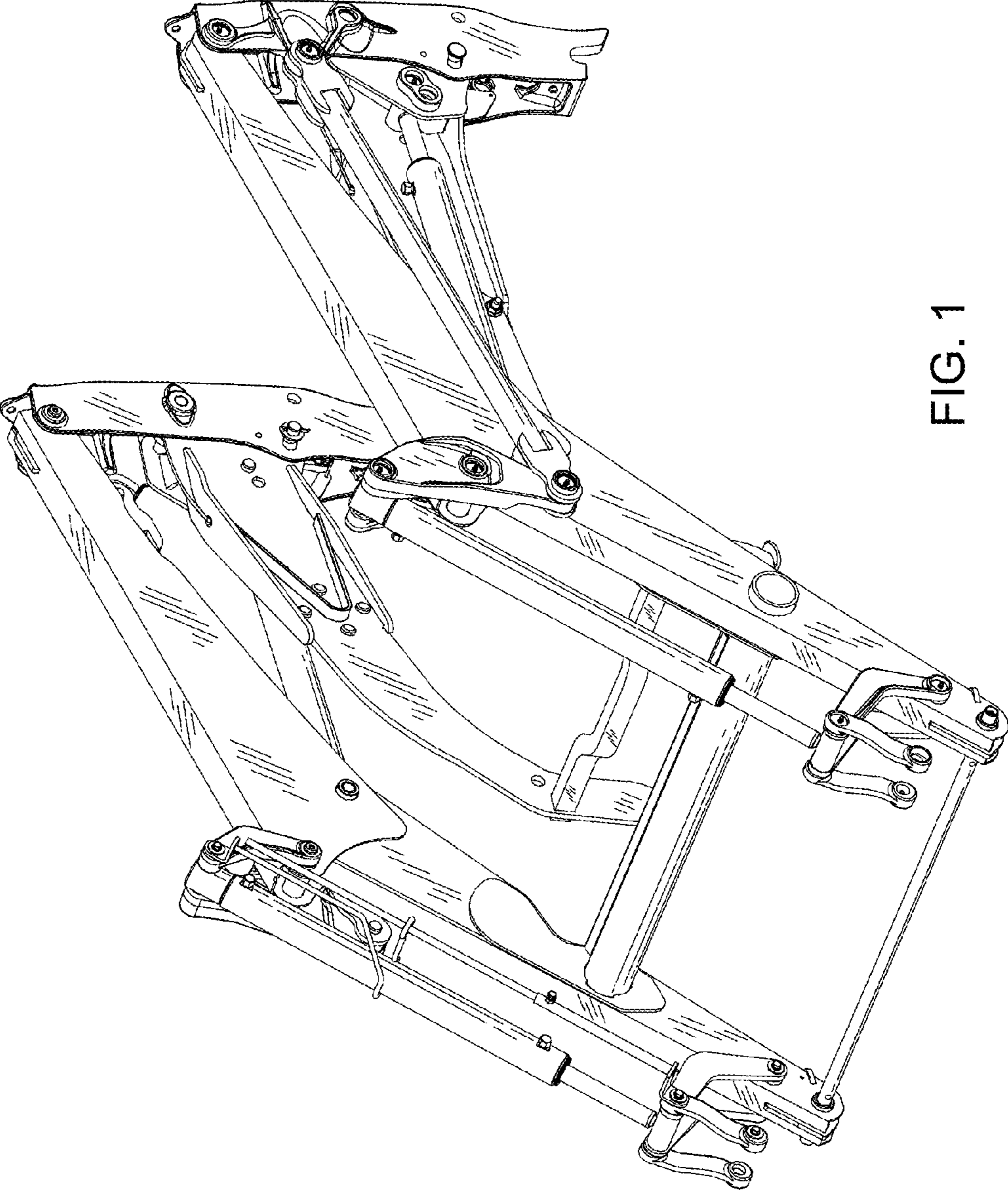


FIG. 1

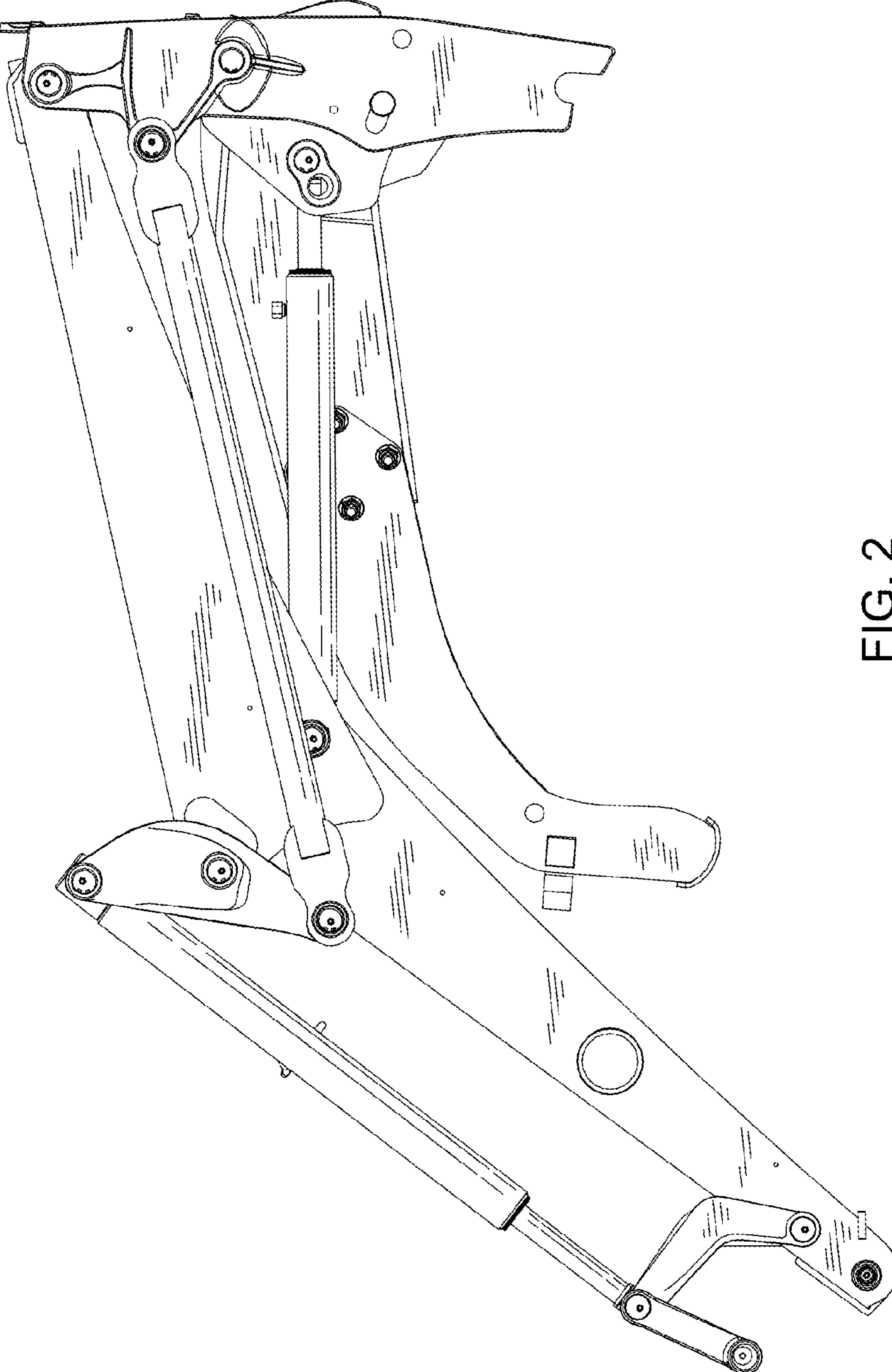


FIG. 2

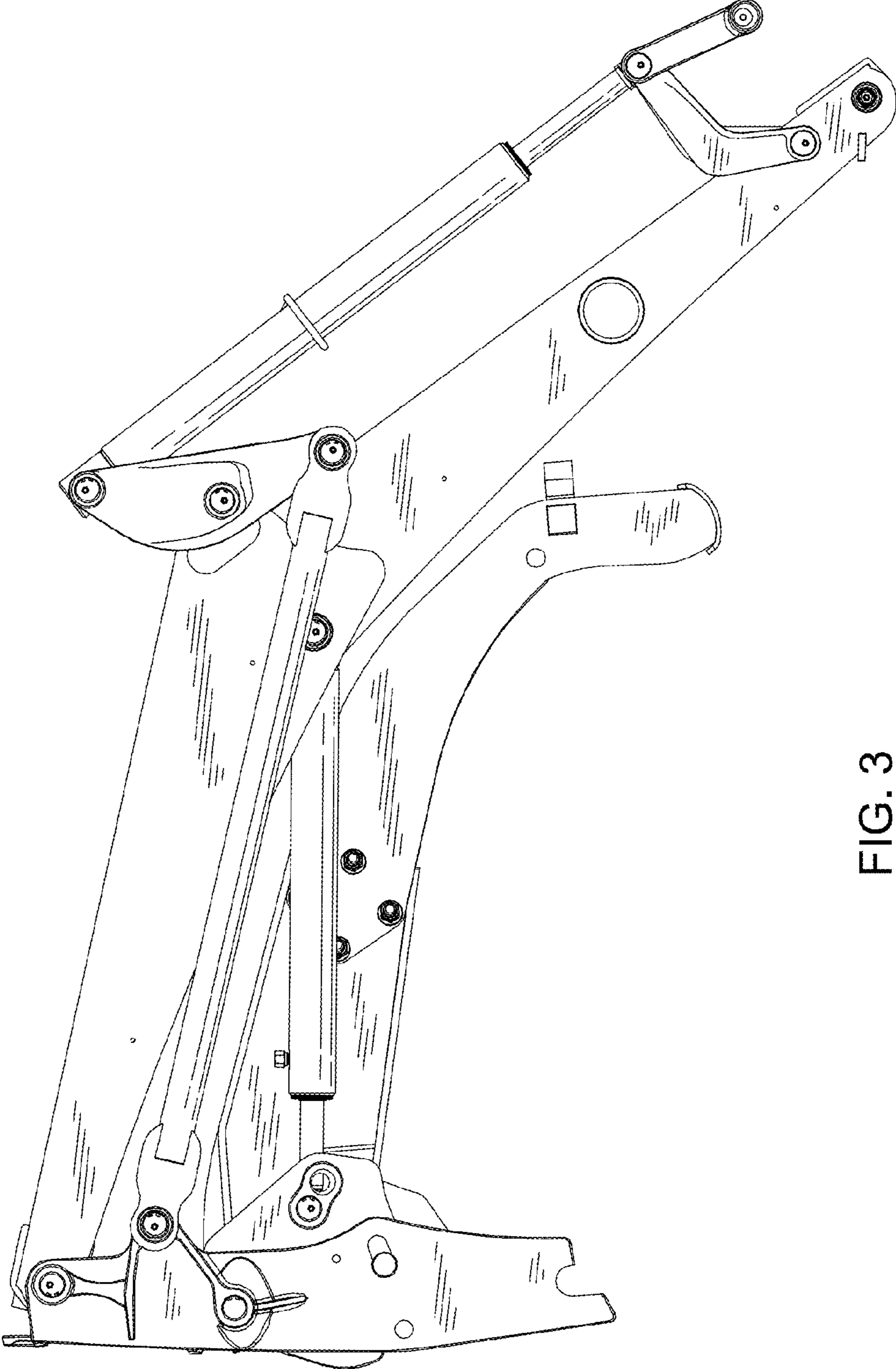


FIG. 3

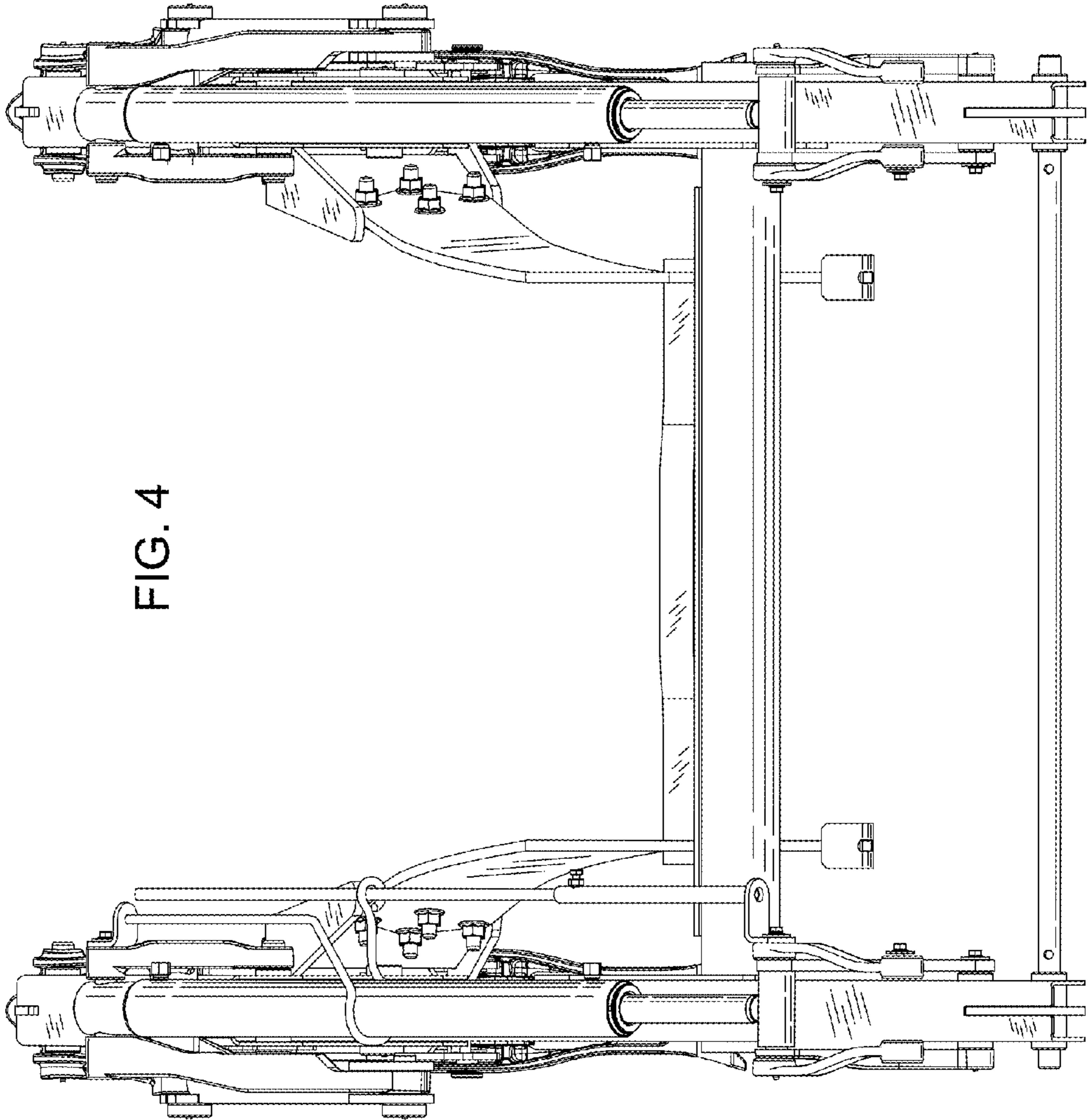
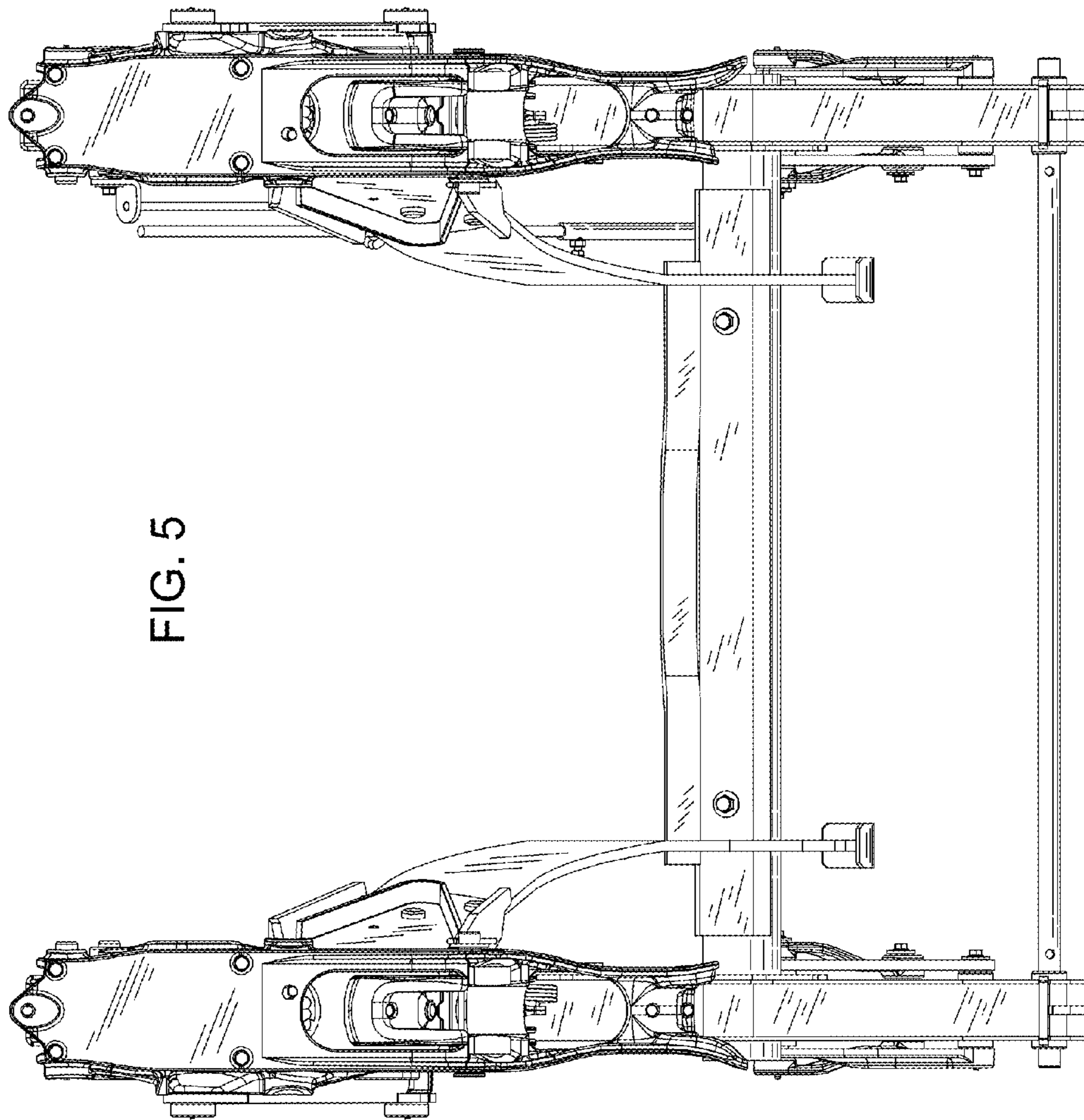


FIG. 4



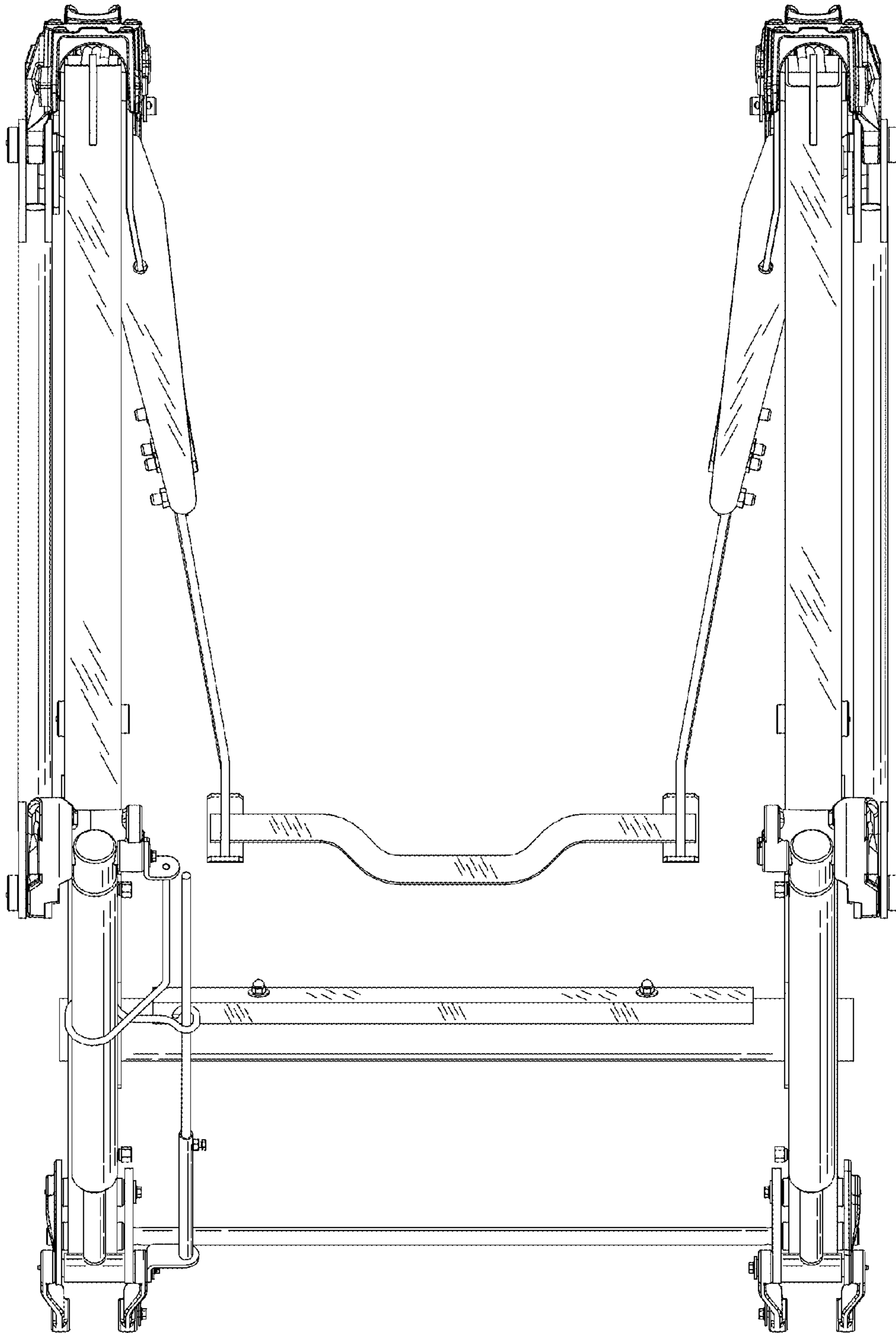


FIG. 6

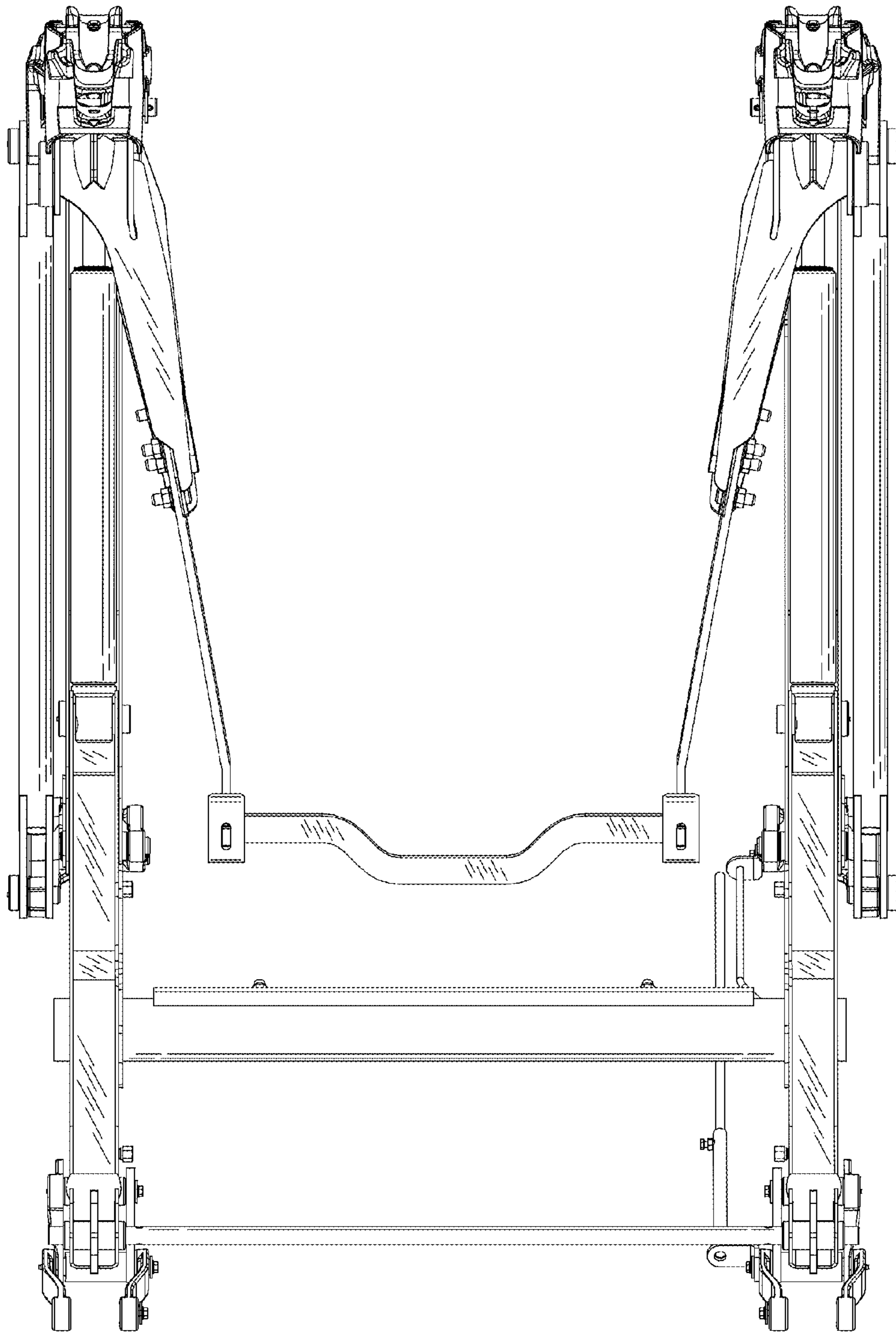


FIG. 7