



US00D769333S

(12) **United States Design Patent**  
**Knobloch et al.**

(10) **Patent No.:** **US D769,333 S**  
(45) **Date of Patent:** **\*\* Oct. 18, 2016**

(54) **TRACK LINK**

(71) Applicant: **Caterpillar Inc.**, Peoria, IL (US)  
(72) Inventors: **Daniel Knobloch**, Peoria, IL (US);  
**Mark Diekevers**, Peoria, IL (US);  
**Timothy Thorson**, Peoria, IL (US);  
**Caroline Brewer**, Peoria, IL (US);  
**Gregory Kaufmann**, Metamora, IL (US);  
**Kevin Steiner**, Peoria, IL (US);  
**Temitope Akinlua**, Peoria, IL (US);  
**Martin Tagore Joseph Xavier**, Chennai (IN)

(73) Assignee: **Caterpillar Inc.**, Peoria, IL (US)

(\*\*) Term: **14 Years**

(21) Appl. No.: **29/522,677**

(22) Filed: **Apr. 1, 2015**

(51) **LOC (10) Cl.** ..... **15-03**

(52) **U.S. Cl.**  
USPC ..... **D15/28**

(58) **Field of Classification Search**  
USPC ..... D15/10, 22-26, 28; 305/185-187, 199,  
305/201, 200, 204, 198, 190, 193, 194, 195,  
305/196; 59/80, 78, 82, 35.1  
CPC ..... B62D 55/211; B62D 55/213; B62D  
55/2128; B62D 55/205; B62D 55/26; B62D  
55/32; F16G 13/00; F16G 13/02; F16G  
13/06; F16G 13/07; F16G 13/08  
See application file for complete search history.

(56) **References Cited**

**U.S. PATENT DOCUMENTS**

800,575 A \* 9/1905 Hickey ..... F16G 13/06  
245/4  
2,566,678 A \* 9/1951 Riegel ..... C21D 9/0087  
266/125

(Continued)

**FOREIGN PATENT DOCUMENTS**

AU 139354 12/1999  
AU 140881 6/2000

(Continued)

**OTHER PUBLICATIONS**

U.S. Appl. No. 29/426,091 titled "Undercarriage Track Link for Mobile Earthmoving Machine" filed Jun. 29, 2012.

(Continued)

*Primary Examiner* — Mark Goodwin

(74) *Attorney, Agent, or Firm* — Saidman DesignLaw Group, LLC

(57) **CLAIM**

The ornamental design for a track link, as shown and described.

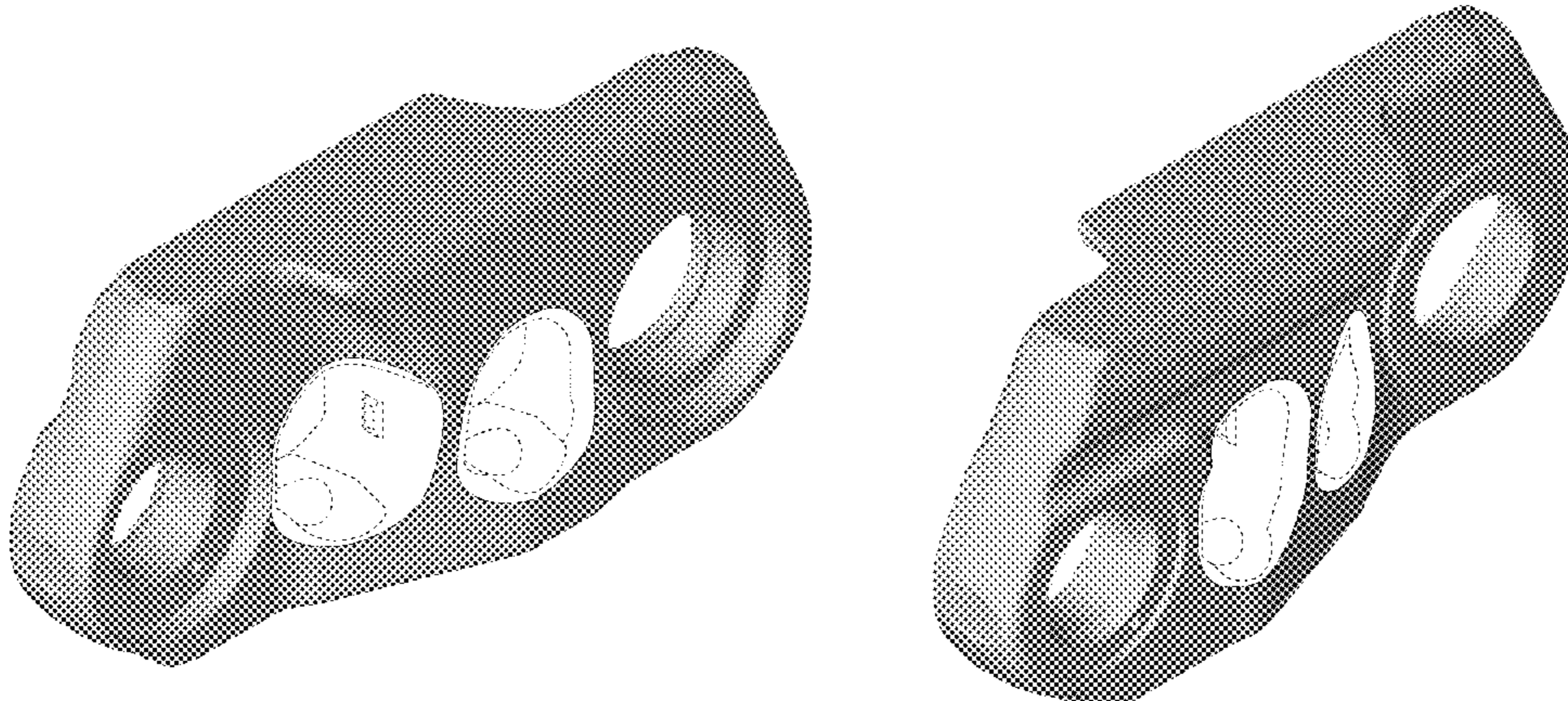
**DESCRIPTION**

FIG. 1 is a perspective view of a track link showing our new design;  
FIG. 2 is another perspective view thereof;  
FIG. 3 is a left side view thereof;  
FIG. 4 is a right side view thereof;  
FIG. 5 is a front view thereof;  
FIG. 6 is a rear view thereof;  
FIG. 7 is a top view thereof;  
FIG. 8 is a bottom view thereof;  
FIG. 9 is a perspective view of a second embodiment thereof;  
FIG. 10 is another perspective view thereof;  
FIG. 11 is a left side view thereof;  
FIG. 12 is a right side view thereof;  
FIG. 13 is a front view thereof;  
FIG. 14 is a rear view thereof;  
FIG. 15 is a top view thereof; and,  
FIG. 16 is a bottom view thereof.

The gray shading represents surface contour of the claimed design, not surface ornamentation or any particular color. The dot-dash broken lines illustrate boundaries of the claimed design; the boundaries themselves form no part of the claimed design.

The uniform dashed broken lines illustrate structure or features that form no part of the claimed design.

**1 Claim, 8 Drawing Sheets**



(56)

References Cited

U.S. PATENT DOCUMENTS

3,035,872 A 5/1962 Rich  
 3,372,959 A 3/1968 Watts, Jr.  
 3,937,530 A 2/1976 Sturges  
 3,947,074 A 3/1976 Nelson  
 3,955,855 A 5/1976 Massieon et al.  
 4,003,608 A 1/1977 Carter  
 4,036,538 A 7/1977 Haslett et al.  
 4,081,202 A 3/1978 Kozuki  
 4,082,372 A 4/1978 Kozuki  
 4,098,543 A 7/1978 Sturges  
 4,099,795 A 7/1978 Roley  
 RE29,723 E 8/1978 Haslett et al.  
 4,105,260 A 8/1978 Blunier et al.  
 4,116,497 A 9/1978 Schimpf et al.  
 4,123,120 A 10/1978 Kohriyama  
 4,128,277 A 12/1978 Meisel, Jr.  
 4,129,045 A 12/1978 Kishitani  
 4,141,601 A 2/1979 Stedman  
 4,149,758 A \* 4/1979 Livesay ..... B62D 55/0887  
 305/100  
 4,176,887 A 12/1979 Alpers et al.  
 4,265,084 A 5/1981 Livesay  
 4,306,753 A 12/1981 Livesay et al.  
 4,423,910 A 1/1984 Narang  
 4,444,441 A 4/1984 Parker  
 4,449,357 A 5/1984 Balitch  
 4,459,124 A 7/1984 Newton  
 4,530,546 A 7/1985 Meisel, Jr.  
 4,553,791 A 11/1985 Blair  
 4,602,825 A 7/1986 Meisel, Jr.  
 4,636,014 A 1/1987 Dennison et al.  
 4,763,961 A 8/1988 Parrott  
 4,880,283 A 11/1989 Savage et al.  
 4,890,892 A 1/1990 Haslett  
 5,172,965 A 12/1992 Taft  
 5,183,318 A 2/1993 Taft et al.  
 5,201,171 A 4/1993 Anderton et al.  
 D338,020 S 8/1993 Taft  
 5,482,364 A 1/1996 Edwards et al.  
 5,692,985 A 12/1997 Hirata et al.  
 5,704,697 A \* 1/1998 Ketting ..... B62D 55/12  
 305/193  
 5,759,309 A 6/1998 Watts et al.  
 5,887,958 A 3/1999 Bissi et al.  
 5,927,665 A 7/1999 Grabnic  
 6,109,706 A 8/2000 Oertley  
 6,120,405 A 9/2000 Oertley et al.  
 6,142,588 A \* 11/2000 Ketting ..... B62D 55/211  
 305/100  
 D435,565 S 12/2000 Barani  
 RE37,254 E 7/2001 Ketting et al.  
 6,322,173 B1 11/2001 Maguire et al.  
 6,354,679 B1 \* 3/2002 Maguire ..... B62D 55/0887  
 305/198  
 6,364,438 B1 4/2002 Hasselbusch et al.  
 6,386,651 B1 \* 5/2002 Gerardin ..... B62D 55/205  
 305/100  
 6,416,142 B1 7/2002 Oertley  
 6,422,667 B2 7/2002 Miyaura  
 6,431,665 B1 8/2002 Banerjee et al.  
 6,474,754 B1 11/2002 Hasselbusch  
 6,565,161 B2 5/2003 Anderton  
 6,783,196 B2 8/2004 Maguire et al.  
 6,951,096 B2 10/2005 Maguire et al.  
 7,007,360 B2 3/2006 Huenefeld et al.  
 7,040,080 B2 5/2006 Okawa et al.  
 7,100,353 B1 9/2006 Maguire  
 7,345,255 B2 3/2008 Jiang et al.  
 7,614,709 B2 11/2009 Oertley  
 7,661,774 B2 2/2010 Yamamoto et al.  
 7,776,451 B2 8/2010 Jiang et al.  
 7,806,209 B2 10/2010 Standish et al.

7,877,977 B2 2/2011 Johannsen et al.  
 7,896,766 B2 3/2011 Mitzschke et al.  
 8,070,241 B2 \* 12/2011 Mulligan ..... B62D 55/092  
 305/195  
 8,075,069 B2 12/2011 Pech et al.  
 8,172,342 B2 5/2012 Diekevers et al.  
 D665,826 S 8/2012 Clarke et al.  
 8,336,970 B2 \* 12/2012 Johannsen ..... B62D 55/21  
 305/198  
 D719,588 S 12/2014 Meyer et al.  
 D751,609 S \* 3/2016 Meyer ..... D15/28  
 2003/0090151 A1 5/2003 Takeno et al.  
 2003/0122425 A1 7/2003 Banerjee  
 2005/0040708 A1 2/2005 Yamamoto et al.  
 2006/0017323 A1 1/2006 Wodrich et al.  
 2008/0217994 A1 9/2008 McRae et al.  
 2009/0026836 A1 1/2009 Maeda  
 2009/0102281 A1 4/2009 Diekevers et al.  
 2010/0007206 A1 1/2010 Wodrich  
 2010/0133898 A1 6/2010 Johannsen et al.  
 2010/0139993 A1 6/2010 Sebright et al.  
 2010/0141005 A1 6/2010 Mackert  
 2010/0141027 A1 6/2010 Fischer et al.  
 2014/0001822 A1 1/2014 Thorson et al.  
 2014/0001827 A1 1/2014 Kaufmann et al.  
 2014/0001828 A1 1/2014 Meyer et al.  
 2014/0001830 A1 1/2014 Meyer et al.  
 2014/0001831 A1 1/2014 Thorson et al.  
 2014/0070603 A1 3/2014 Wodrich et al.

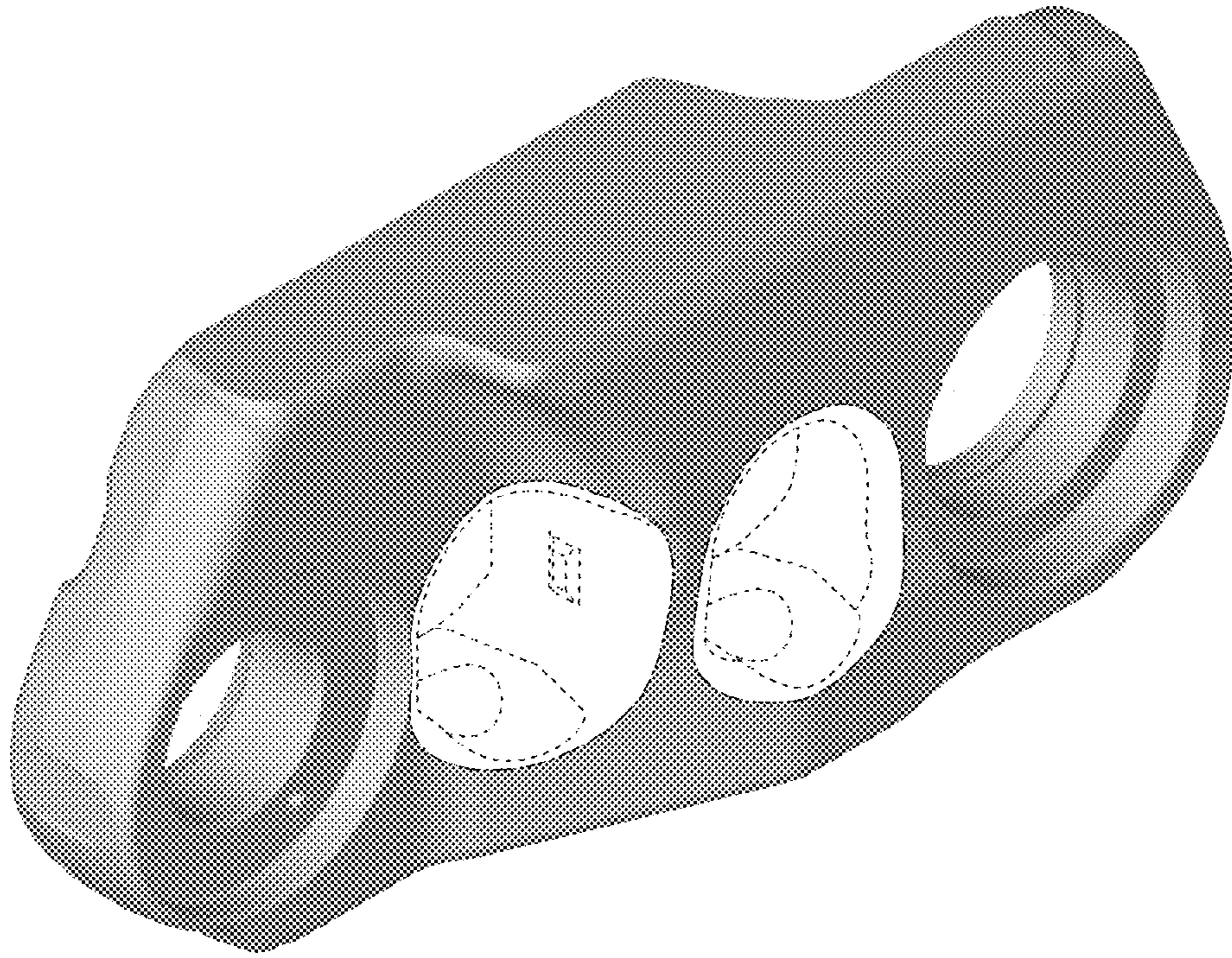
FOREIGN PATENT DOCUMENTS

AU 143748 5/2001  
 AU 149531 10/2002  
 AU 304403 11/2005  
 AU 310269 9/2006  
 AU 324833 2/2009  
 CL 145-1939 7/1939  
 CL 75-1943 3/1943  
 CL 92-1990 5/1990  
 CL 1488-2002 9/2002  
 CL 2980-2001 8/2003  
 EM 000302823-0001 2/2005  
 EM 000450028-0003 12/2005  
 EM 000450028-0006 12/2005  
 EM 000472956-0001 1/2006  
 EM 000528807-0001 5/2006  
 EM 000528807-0002 5/2006  
 EM 000528807-0003 5/2006  
 GB 2087930 11/1999  
 WO 2012/116674 A1 9/2012

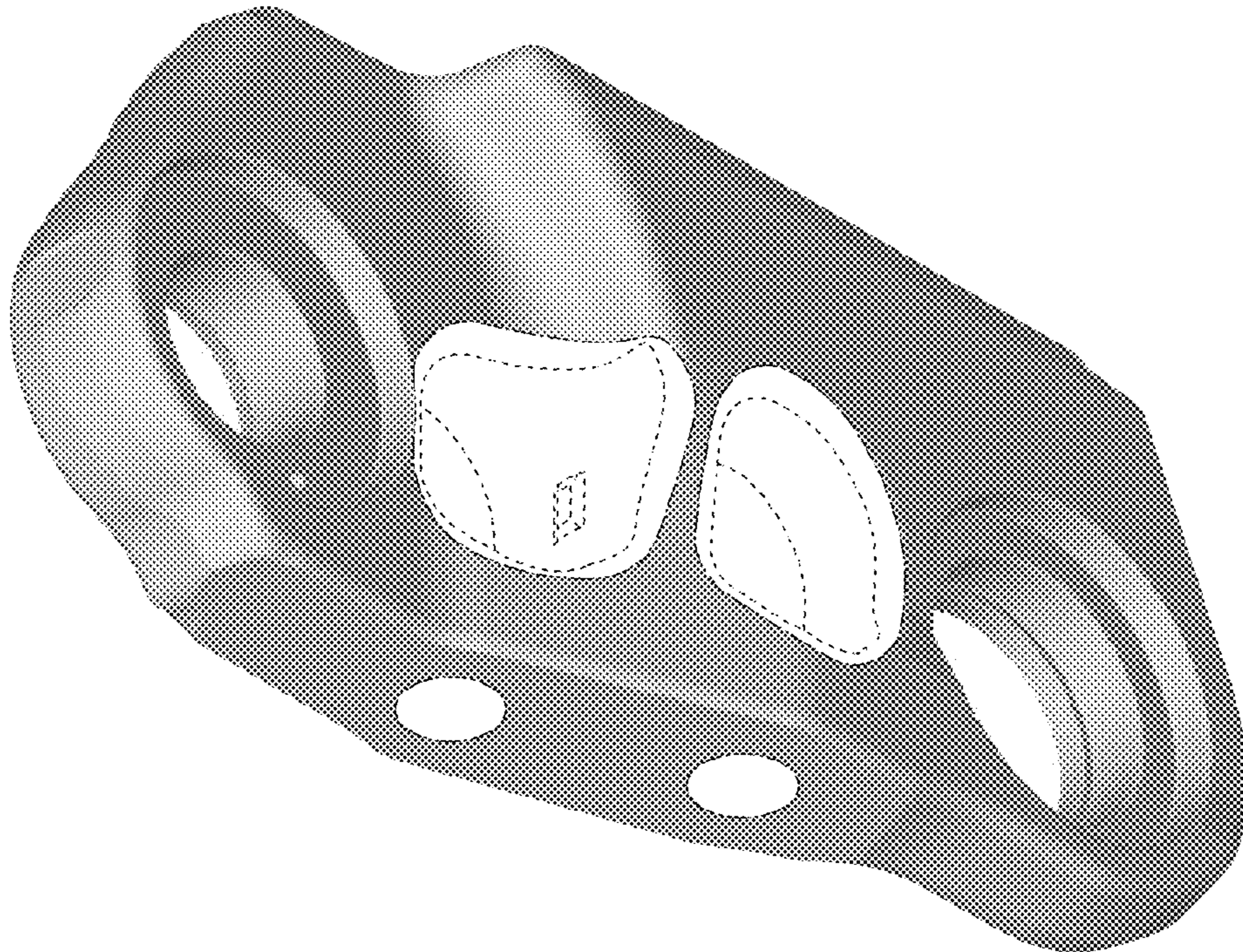
OTHER PUBLICATIONS

Caterpillar, "Cat® Tri- and Quad-Link Tracks," © 2010.  
 U.S. Appl. No. 13/627,063, filed Sep. 26, 2012, titled "Ground-Engaging Track System, Link For a Track Chain, and Method."  
 U.S. Appl. No. 14/461,328, filed Aug. 15, 2014, titled "Joint Bushings for Track Joint Assemblies."  
 U.S. Appl. No. 14/461,321, filed Aug. 15, 2014, titled "Track Joint Assemblies."  
 U.S. Appl. No. 14/461,304, filed Aug. 15, 2014, titled "Track Joint Assemblies."  
 U.S. Appl. No. 14/461,249, filed Aug. 15, 2014, titled "Track Joint Assemblies."  
 U.S. Appl. No. 14/461,289, filed Aug. 15, 2014, titled "Track Joint Assemblies."  
 U.S. Appl. No. 14/461,269, filed Aug. 15, 2014.  
 U.S. Appl. No. 29/522,680 titled "Track Link Assembly" filed Apr. 1, 2015.  
 U.S. Appl. No. 29/536,151 titled "Rail Guide" filed Aug. 13, 2015.

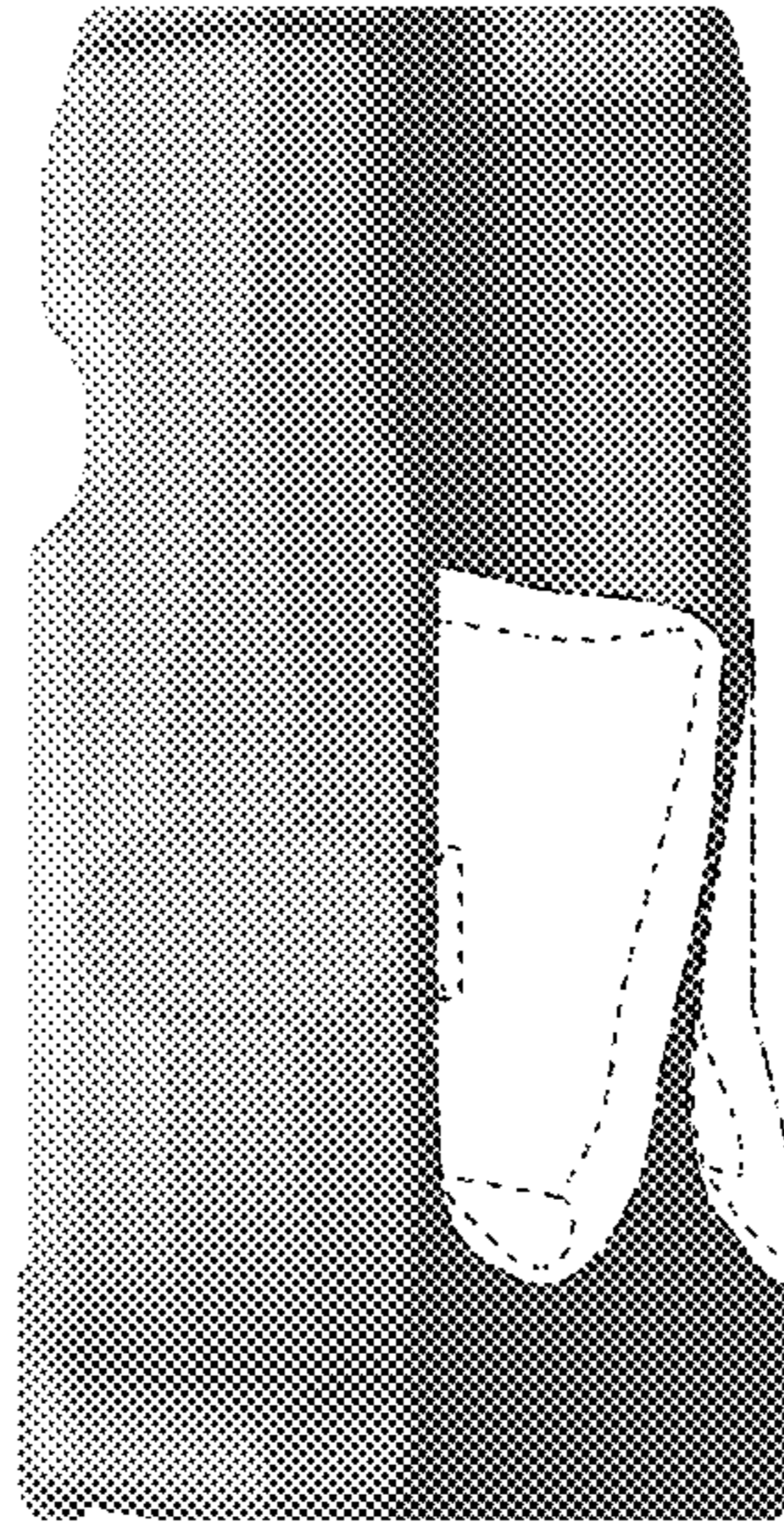
\* cited by examiner



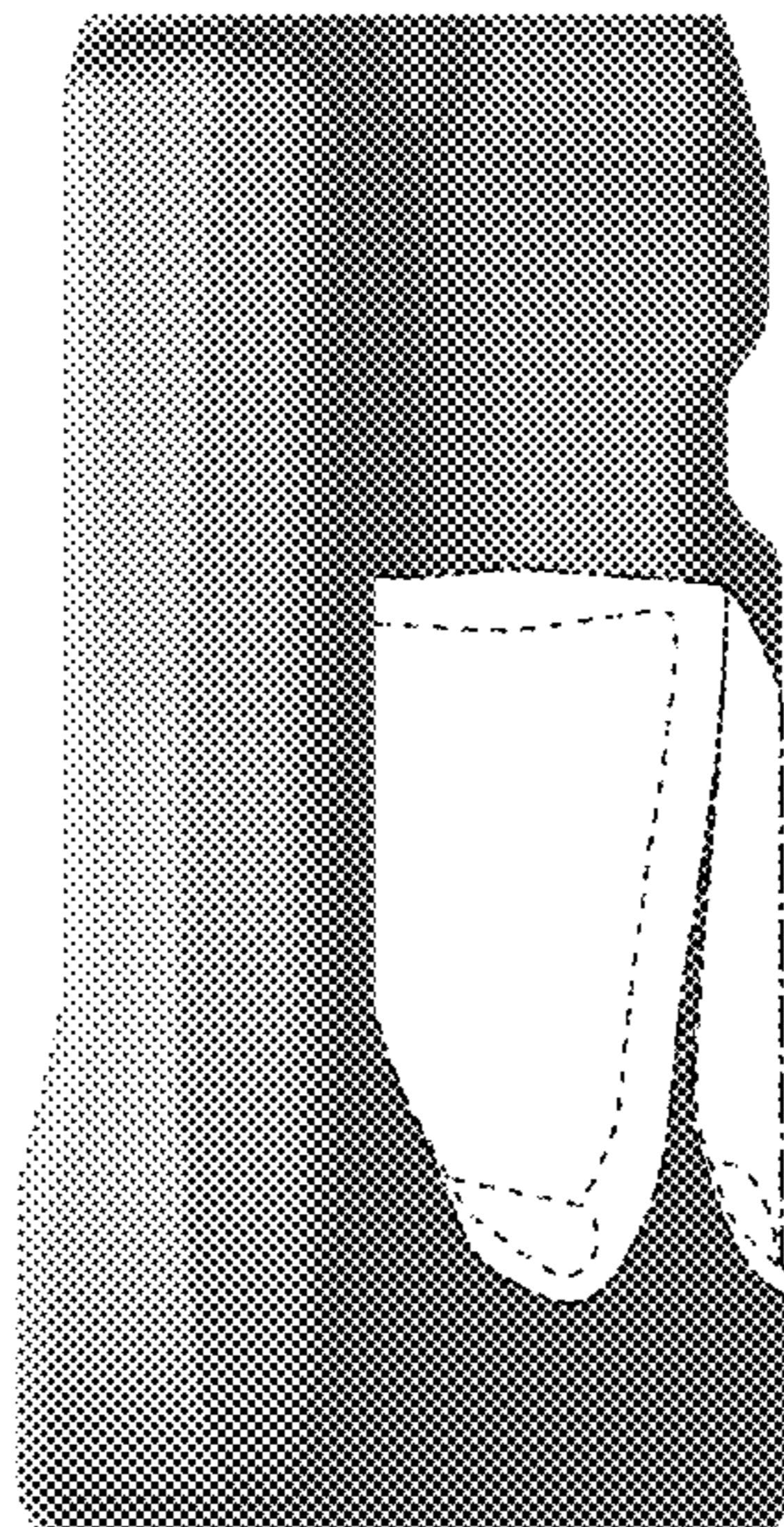
*Fig. 1*



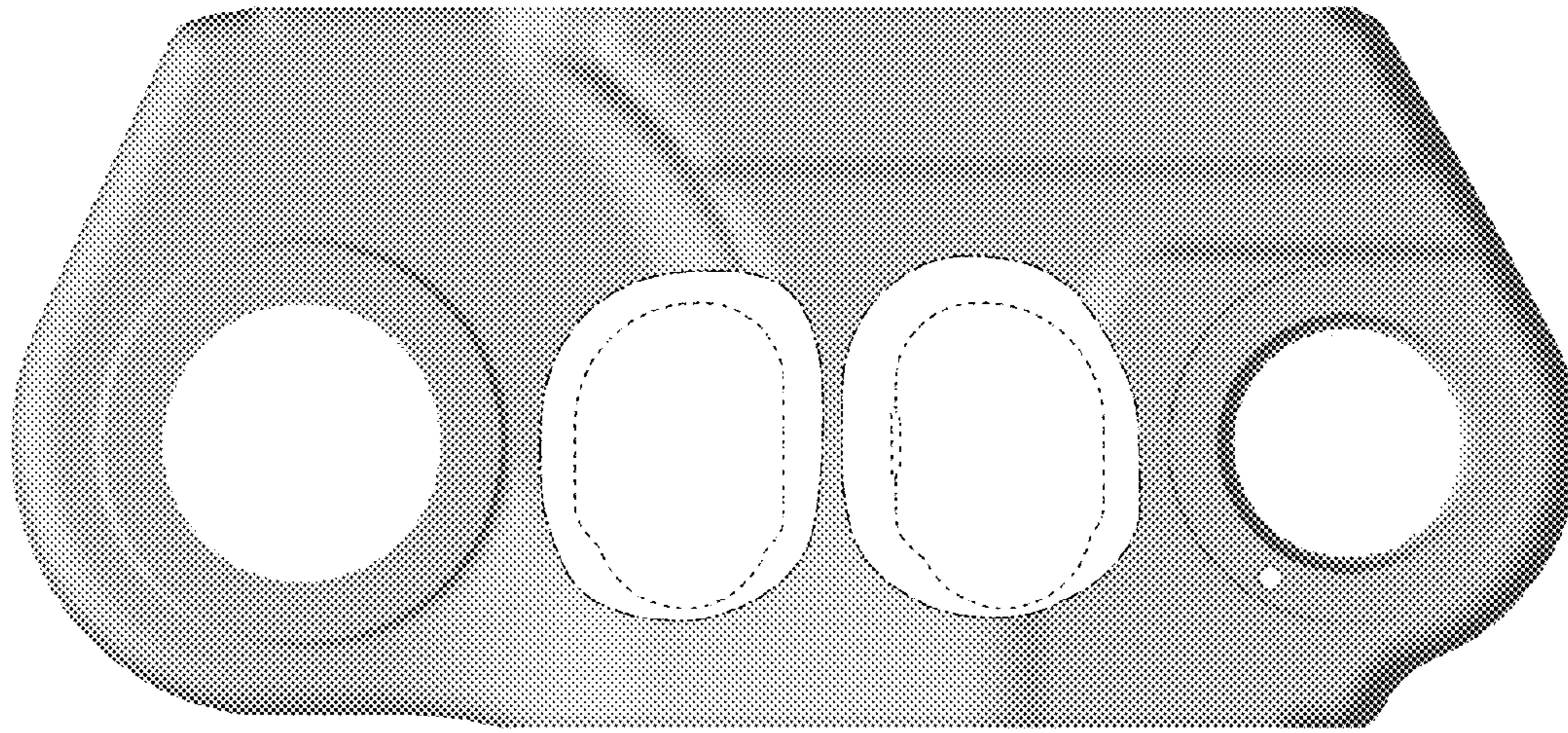
*Fig. 2*



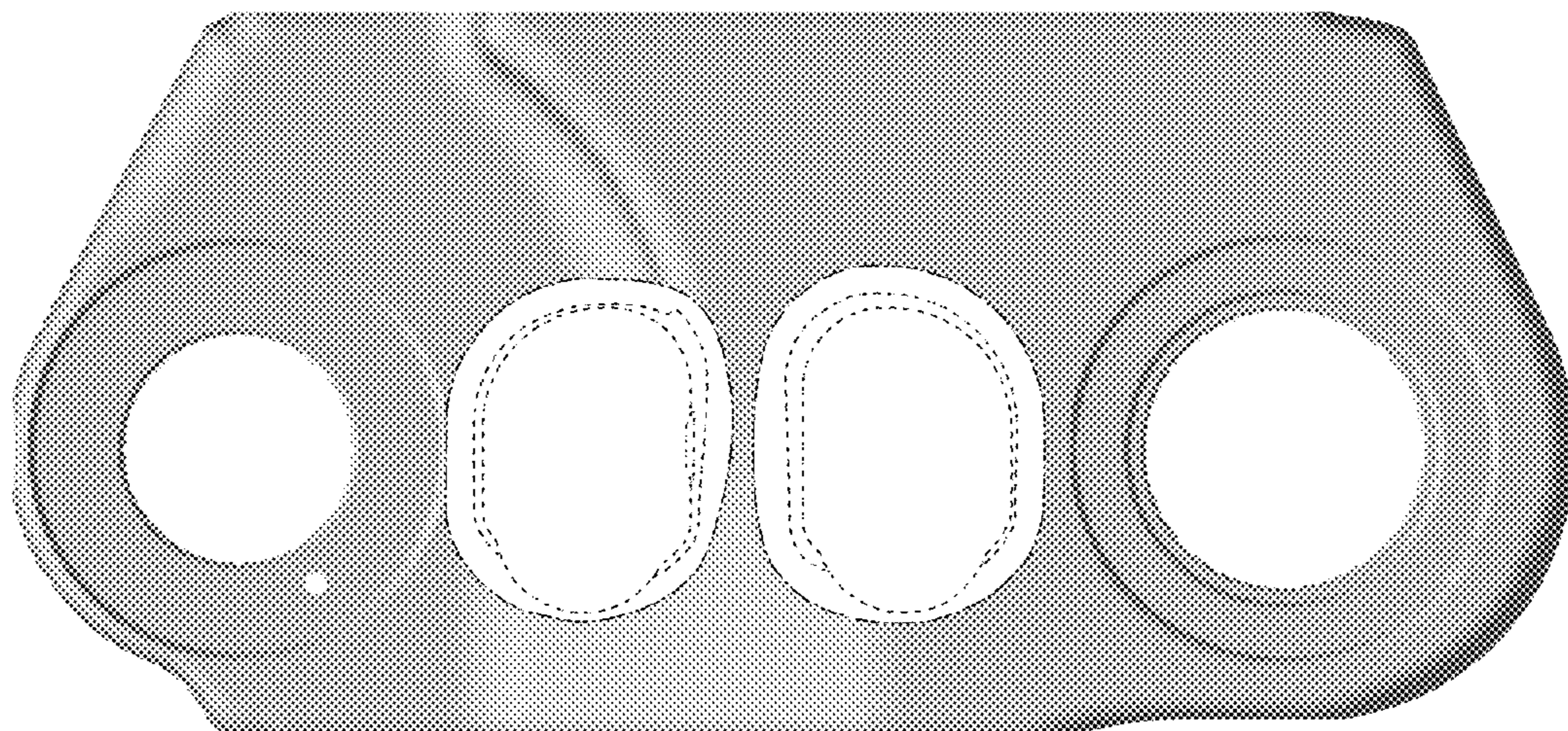
*Fig. 3*



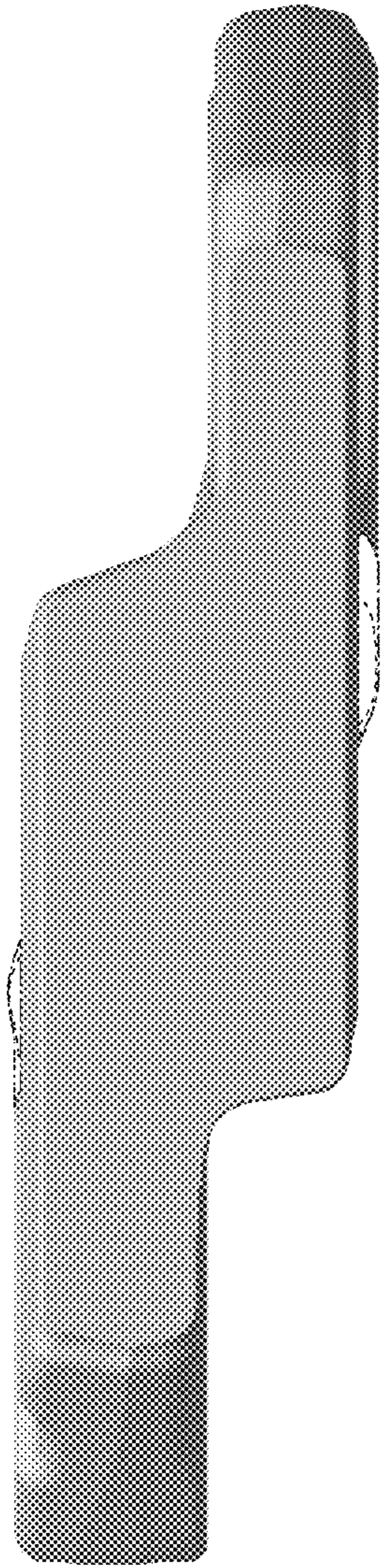
*Fig. 4*



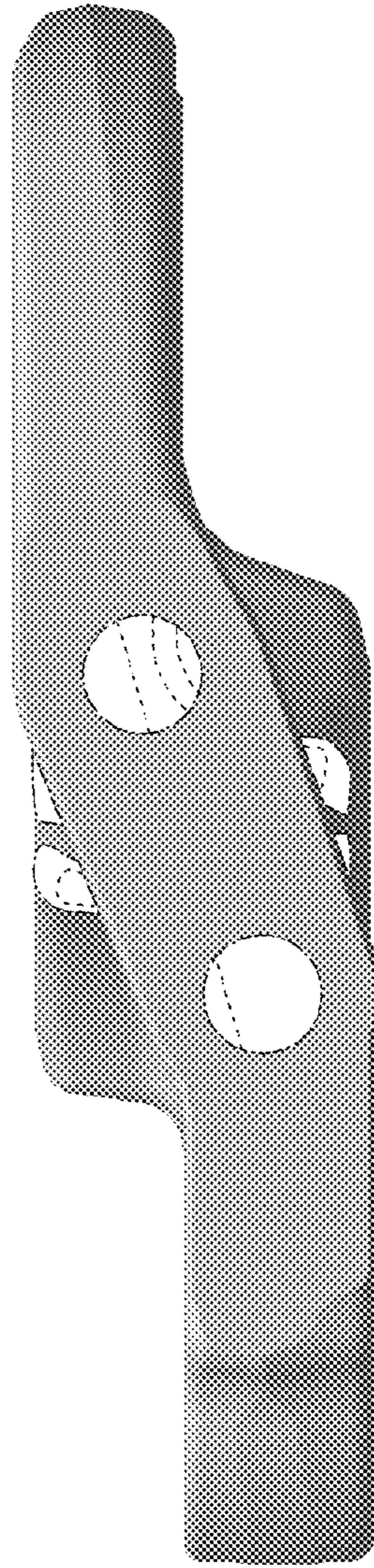
*Fig. 5*



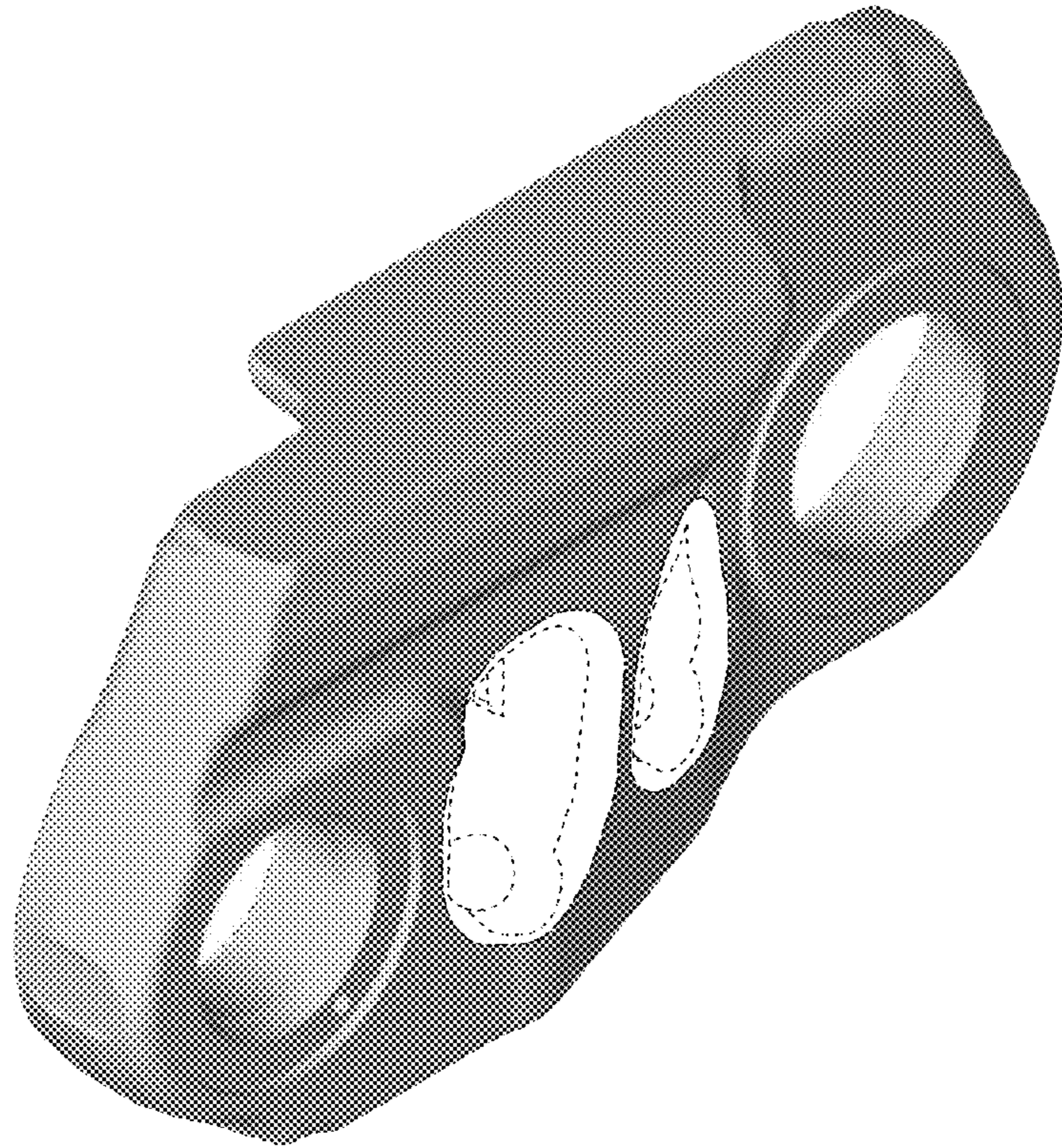
*Fig. 6*



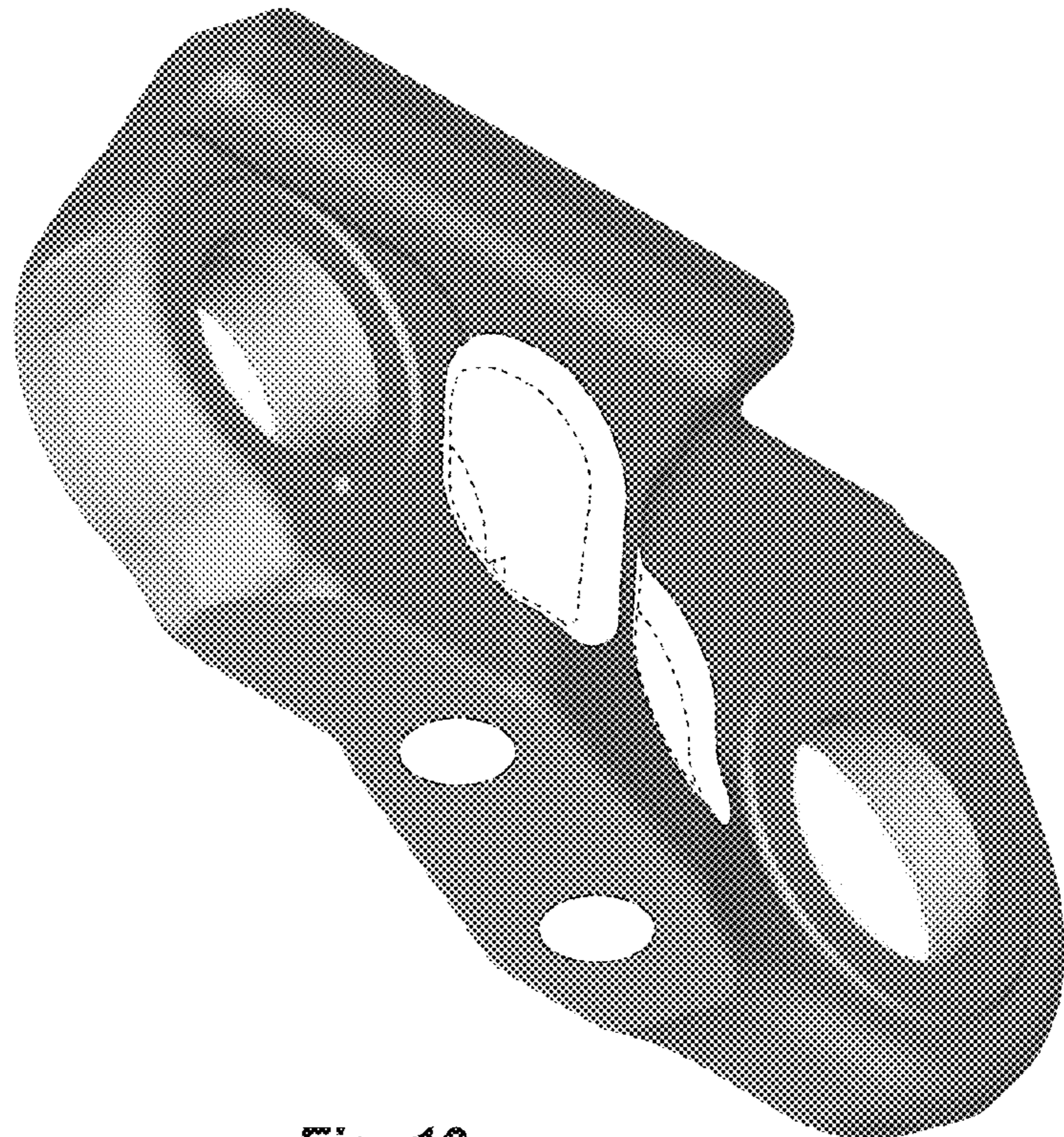
*Fig. 7*



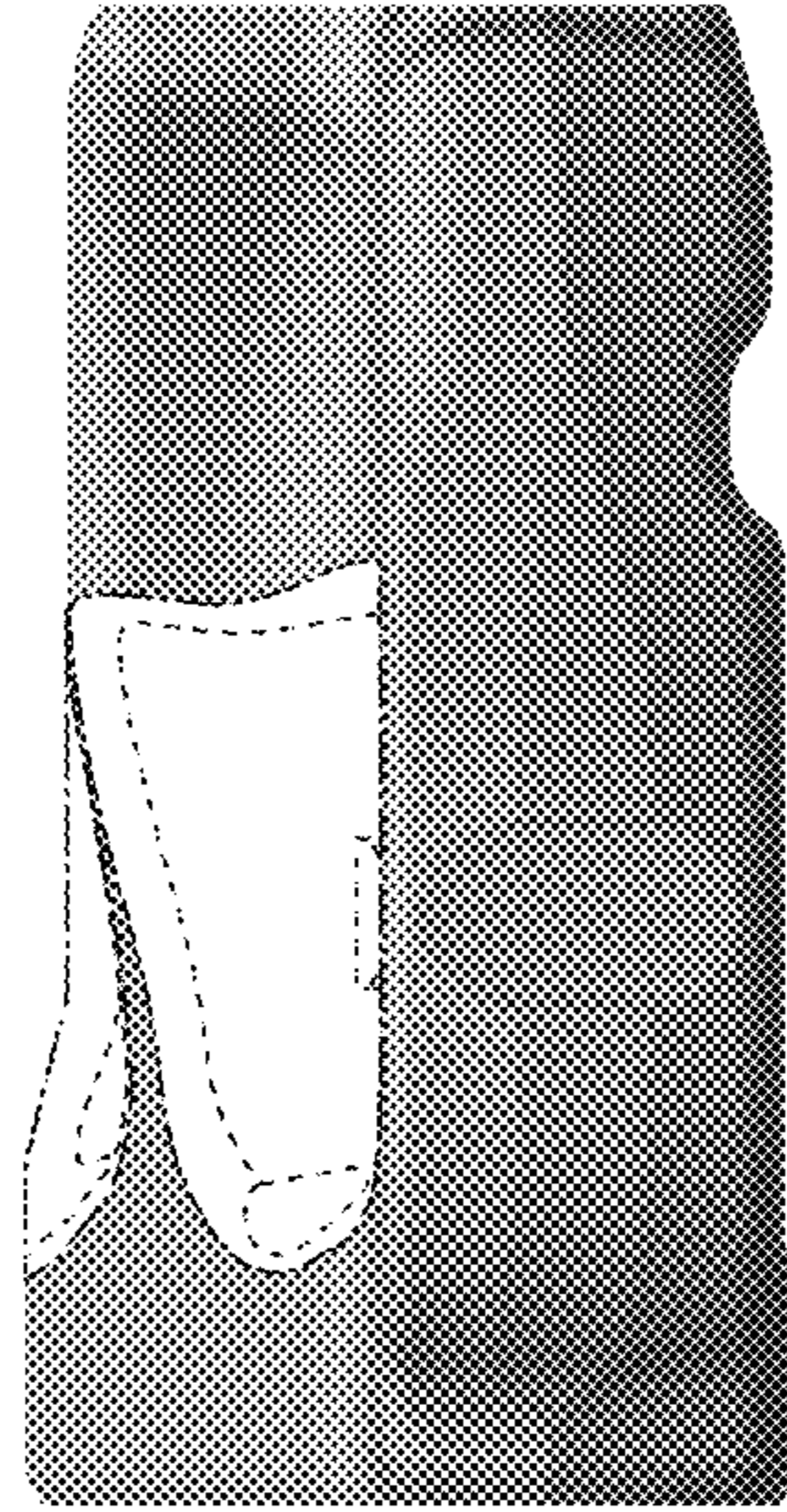
*Fig. 8*



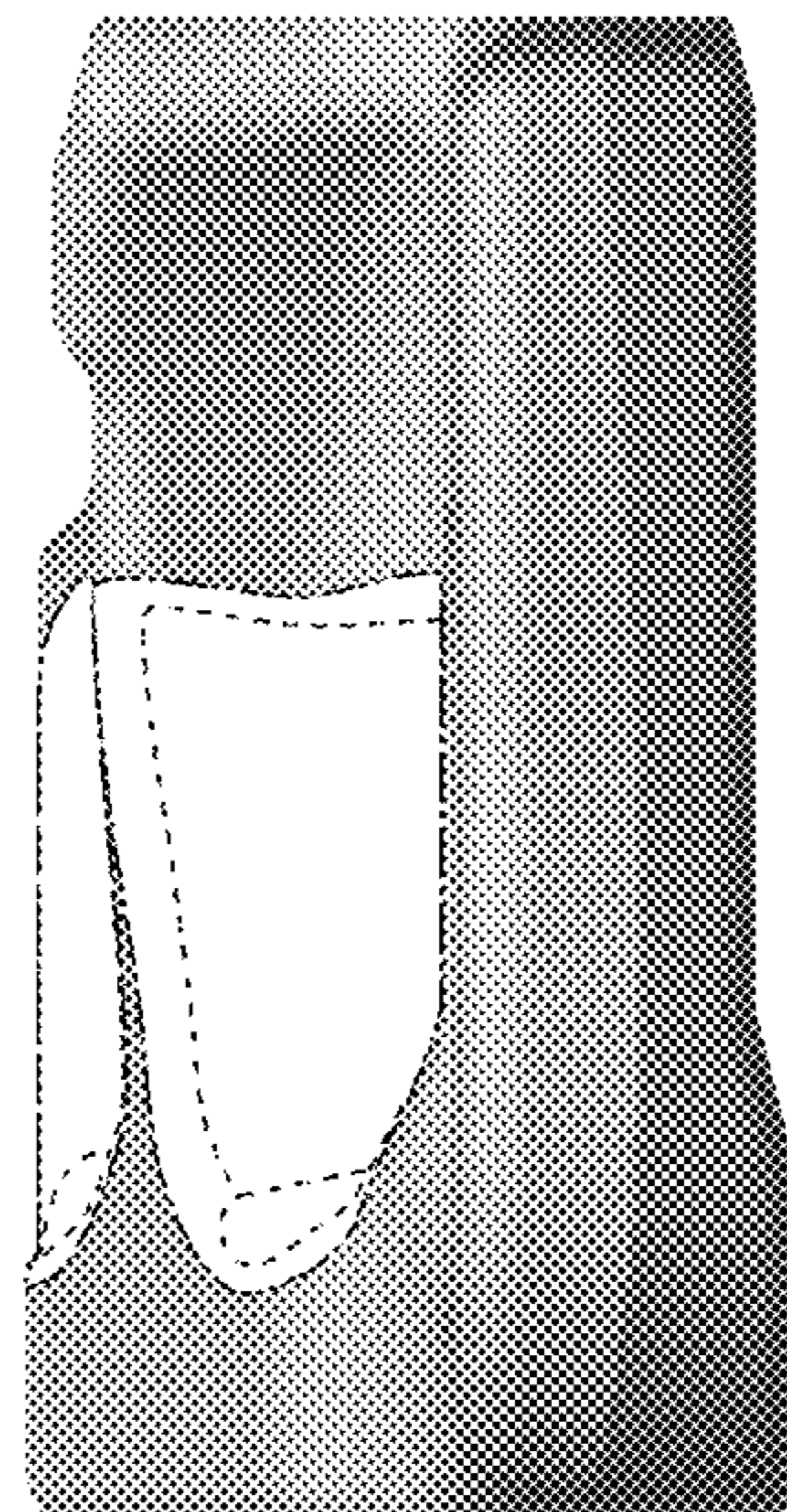
*Fig. 9*



*Fig. 10*

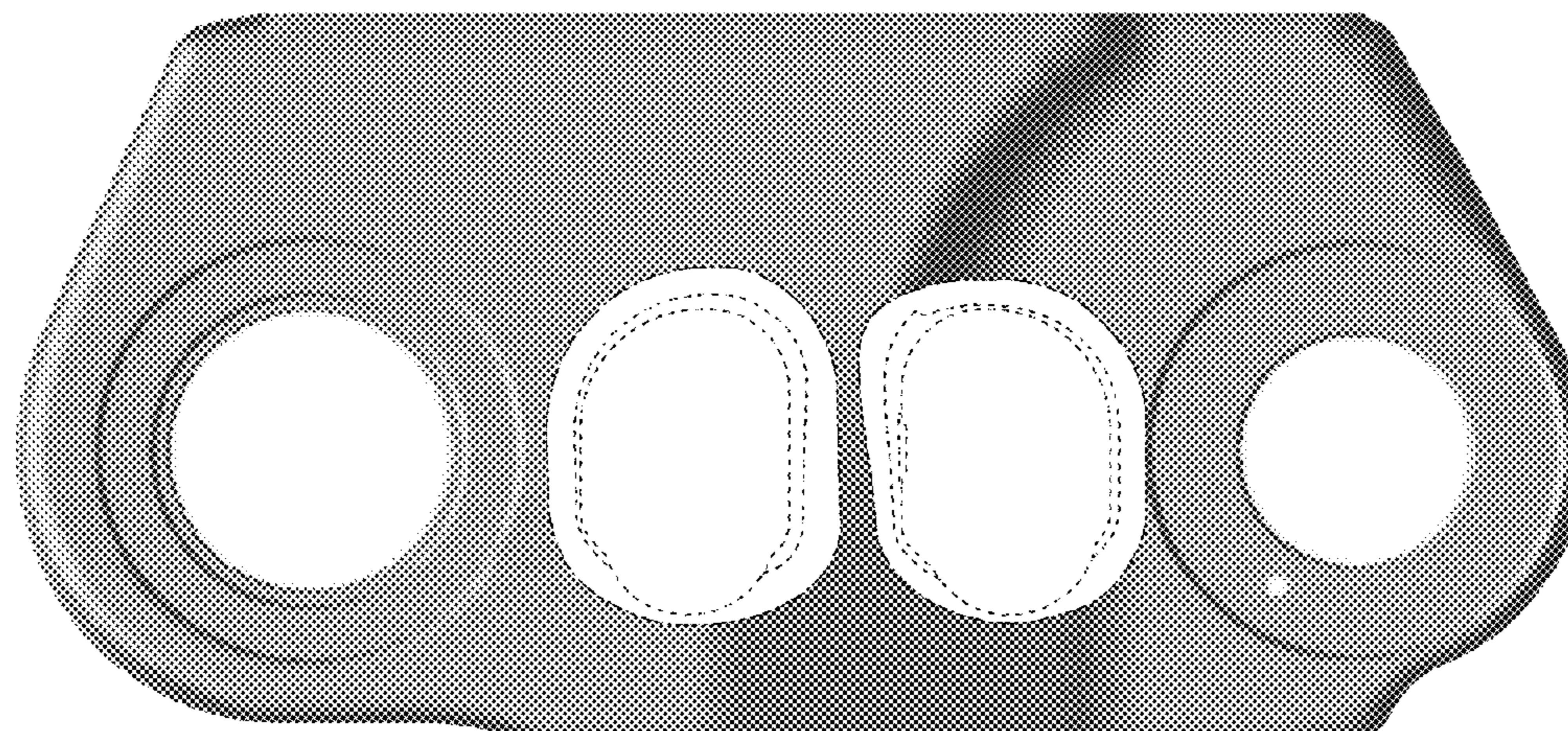


*Fig. 11*

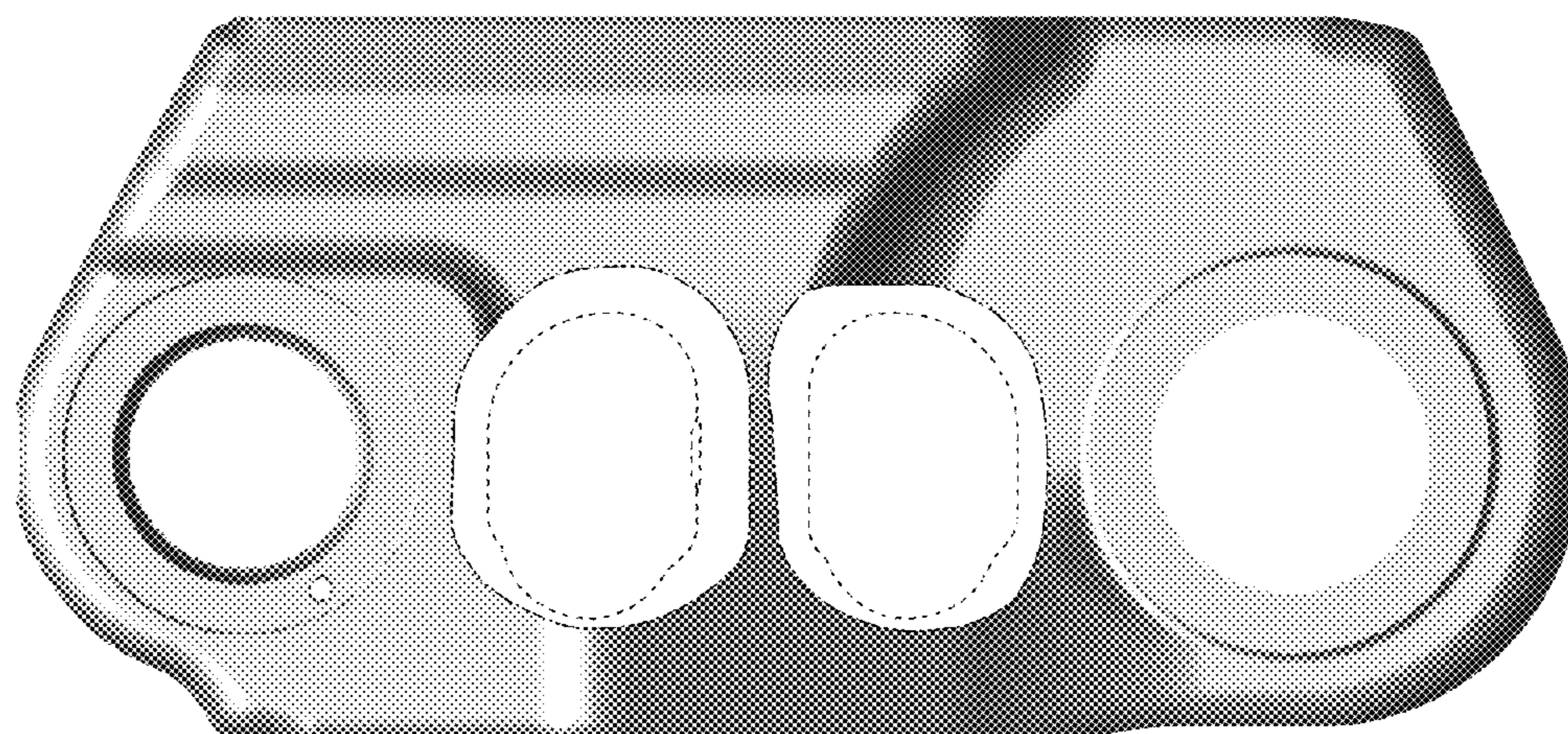


*Fig. 12*

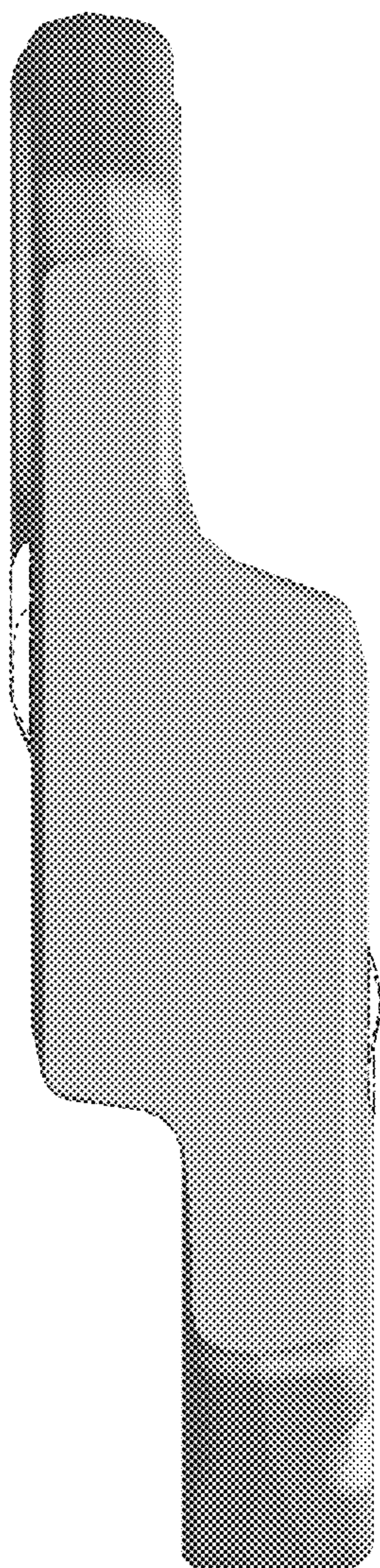




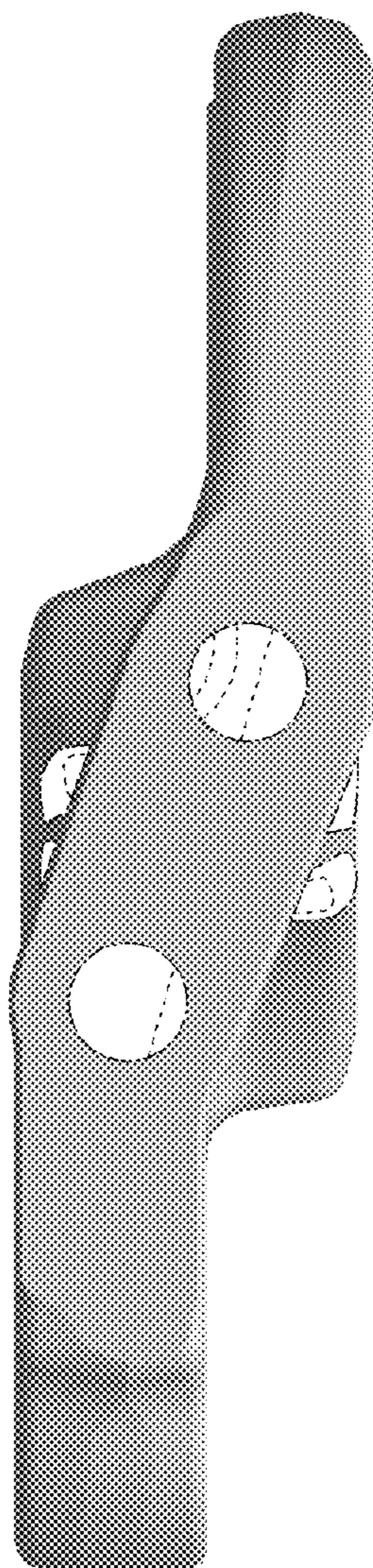
*Fig. 13*



*Fig. 14*



*Fig. 15*



*Fig. 16*