



US00D769332S

(12) **United States Design Patent** (10) **Patent No.:** **US D769,332 S**
Varini (45) **Date of Patent:** **** Oct. 18, 2016**

(54) **ROTARY HAND PUMP DRUM CONNECTOR**

Primary Examiner — Ralf Seifert

(71) Applicant: **Otto Varini**, Suzzara (IT)

(74) *Attorney, Agent, or Firm* — Smith Gambrell & Russell LLP

(72) Inventor: **Otto Varini**, Suzzara (IT)

(57) **CLAIM**

The ornamental design for a rotary hand pump drum connector, as shown and described.

(73) Assignee: **PIUSI S.P.A.**, Suzzara (Mantova) (IT)

DESCRIPTION

(**) Term: **15 Years**

(21) Appl. No.: **29/538,171**

FIG. 1 is a perspective view of the rotary hand pump drum connector for a rotary hand pump shown in phantom.

(22) Filed: **Sep. 1, 2015**

FIG. 2 is a front elevation view of the rotary hand pump drum connector.

(51) **LOC (10) Cl.** **15-02**

FIG. 3 is a first side elevation view of the rotary hand pump drum connector.

(52) **U.S. Cl.**

USPC **D15/7**

FIG. 4 is a second side elevation view of the rotary hand pump drum connector.

(58) **Field of Classification Search**

USPC D15/7-9; D23/231, 232, 225; 417/60, 417/235, 265, 321, 355, 358, 363, 359, 417/410.1, 415-416, 405, 900; 60/408, 60/412; 184/26-37; 415/140-147; 123/495, 509; 137/565.34

FIG. 5 is a rear elevation view of the rotary hand pump drum connector.

CPC F02M 37/04; F02M 37/14

FIG. 6 is a bottom view of the rotary hand pump drum connector.

See application file for complete search history.

FIG. 7 is a top plan view of the rotary hand pump drum connector.

FIG. 8 is a perspective view of the rotary hand pump drum connector, with a rotary hand pump shown in phantom.

(56) **References Cited**

U.S. PATENT DOCUMENTS

D196,464 S *	10/1963	Kilbourn	D15/7
D221,258 S *	7/1971	Saddler	D15/7
D271,493 S *	11/1983	McMullen	D15/7
D295,522 S *	5/1988	Martin	D15/7
D299,720 S *	2/1989	Yoo	D15/7
D308,385 S *	6/1990	Russold	D15/7
D319,245 S *	8/1991	Larson	D15/7
D555,669 S *	11/2007	Preston	D15/7
D557,709 S *	12/2007	Preston	D15/7
D753,188 S *	4/2016	Kopel	D15/7

FIG. 9 is a front elevation view of the rotary hand pump drum connector.

FIG. 10 is a first side elevation view of the rotary hand pump drum connector.

FIG. 11 is a second side elevation view of the rotary hand pump drum connector.

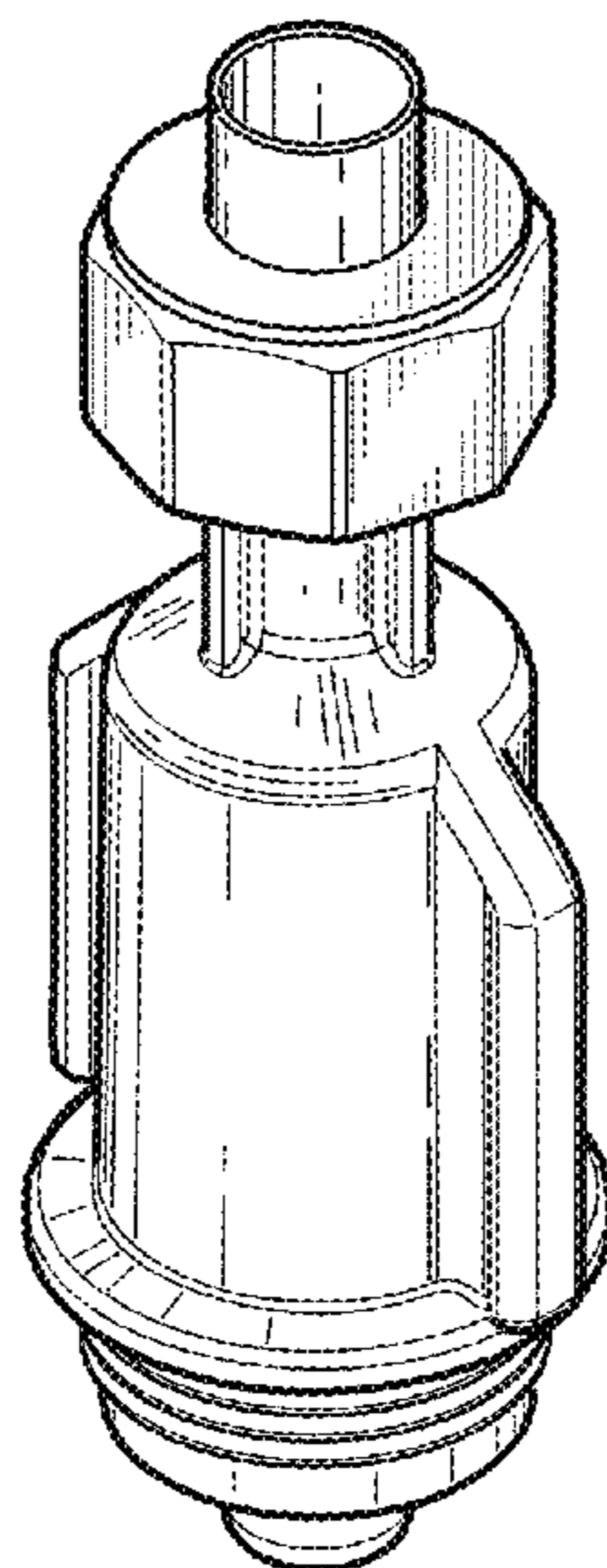
FIG. 12 is a rear elevation view of the rotary hand pump drum connector.

FIG. 13 is a bottom view of the rotary hand pump drum connector; and,

FIG. 14 is a top plan view of the rotary hand pump drum connector.

* cited by examiner

1 Claim, 8 Drawing Sheets



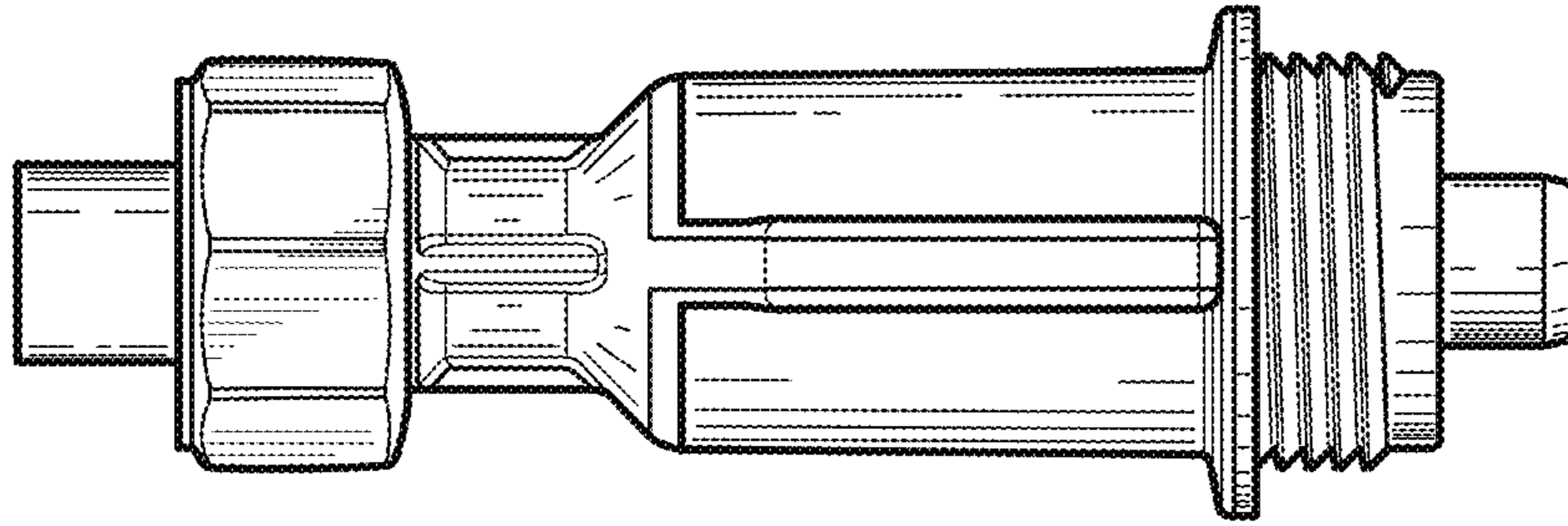


FIG. 3

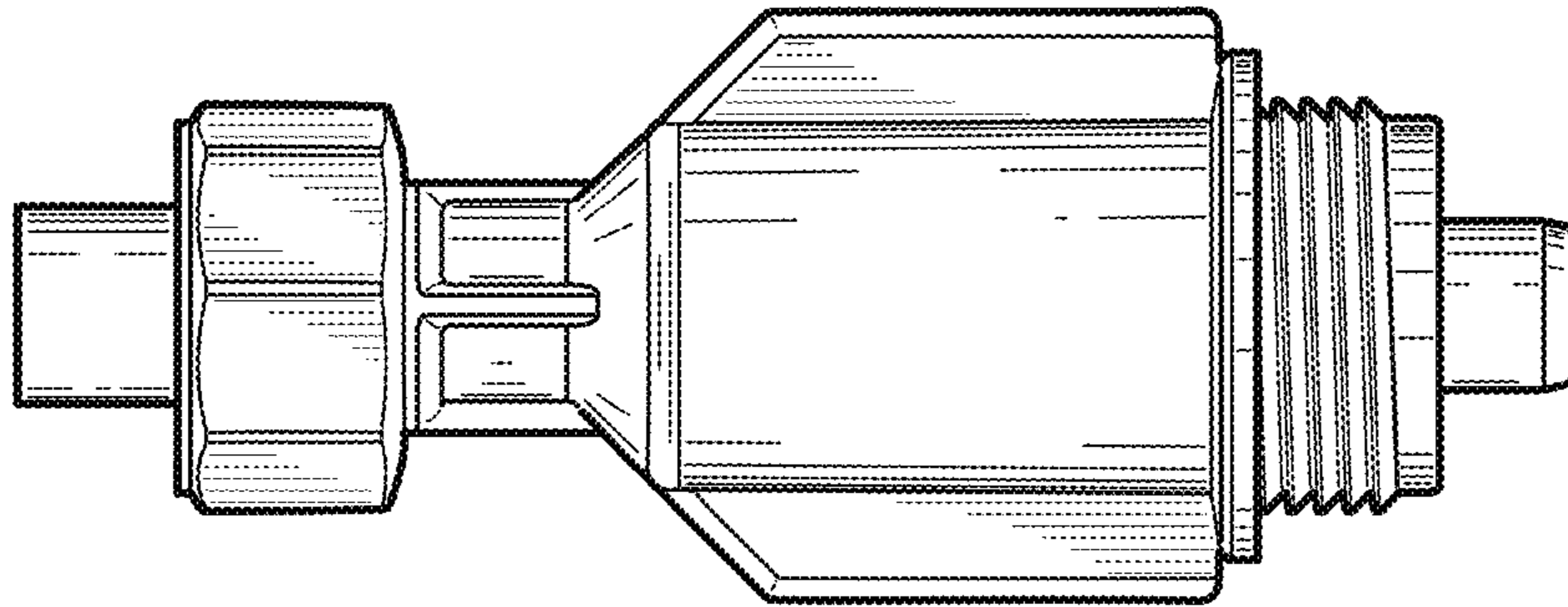


FIG. 2

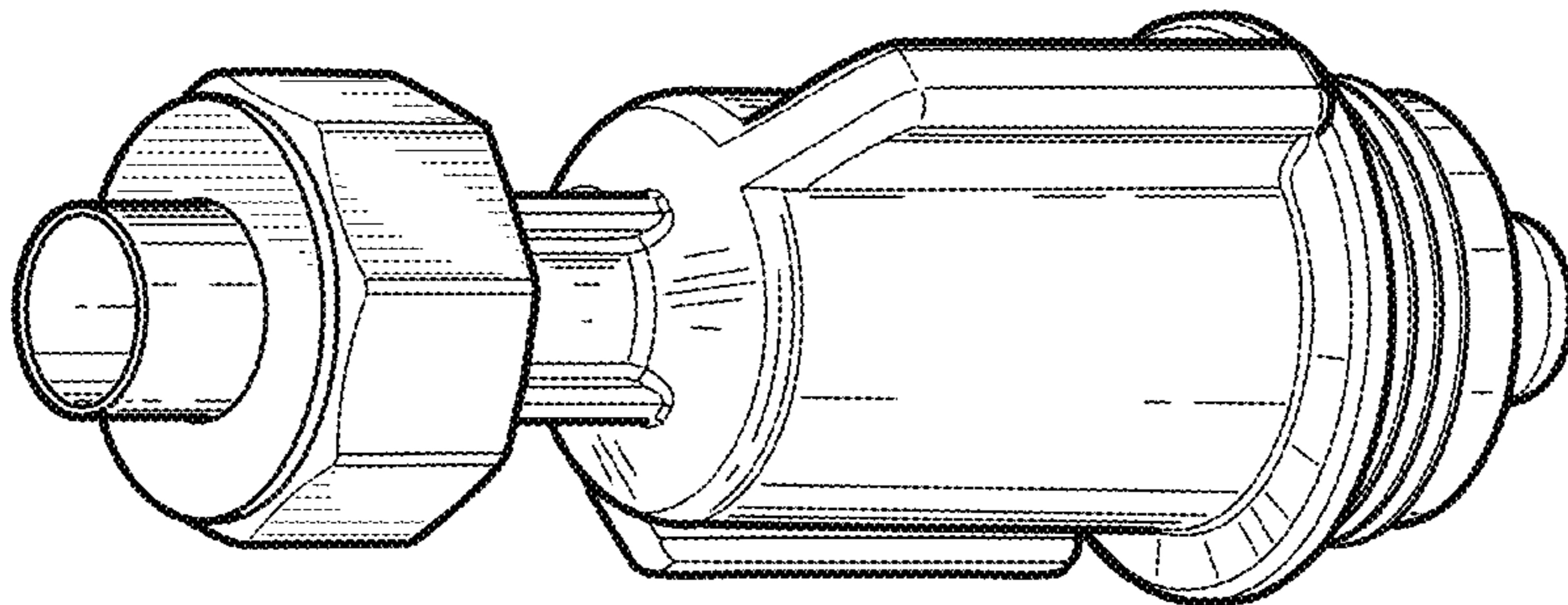


FIG. 1

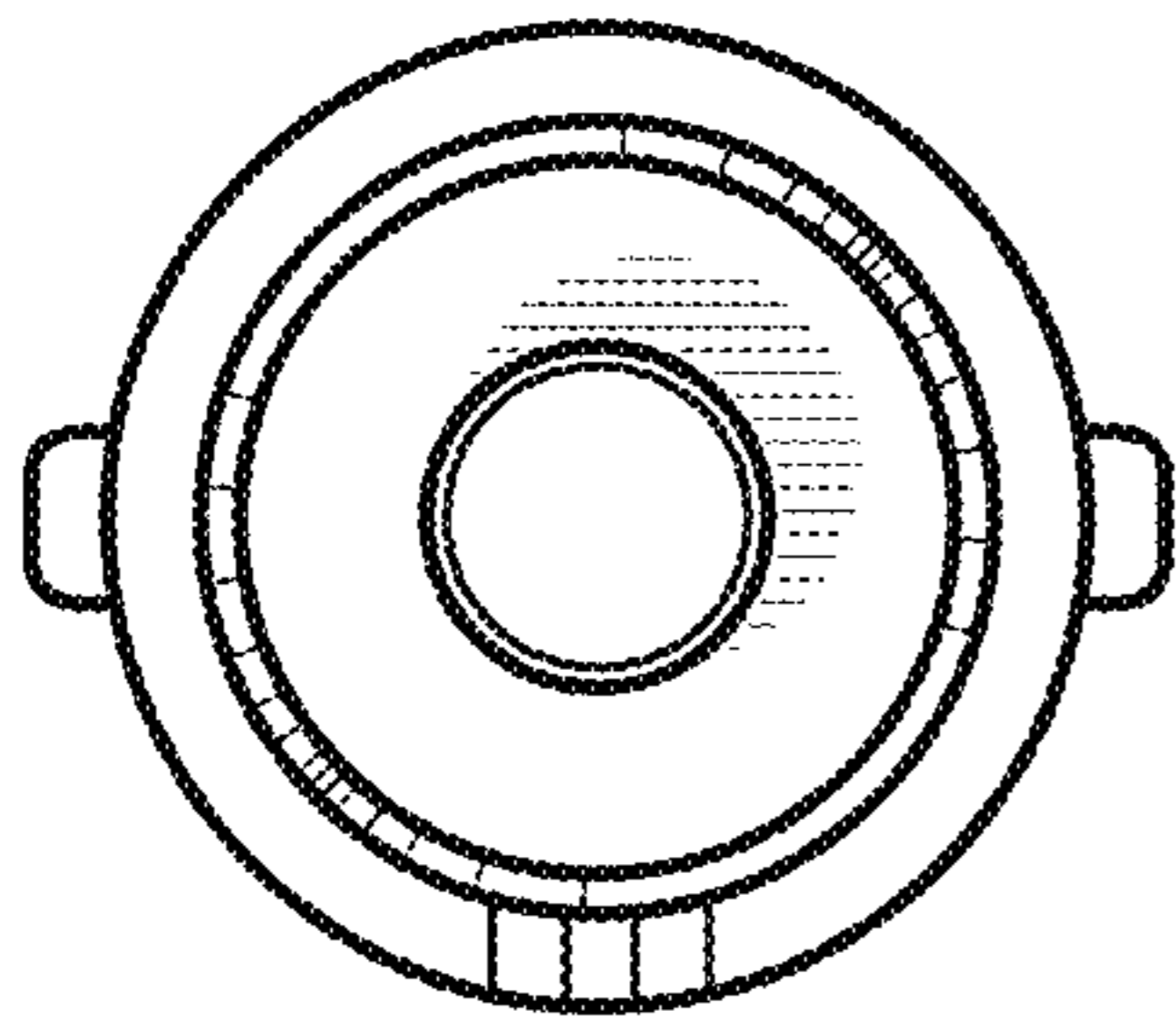


FIG. 6

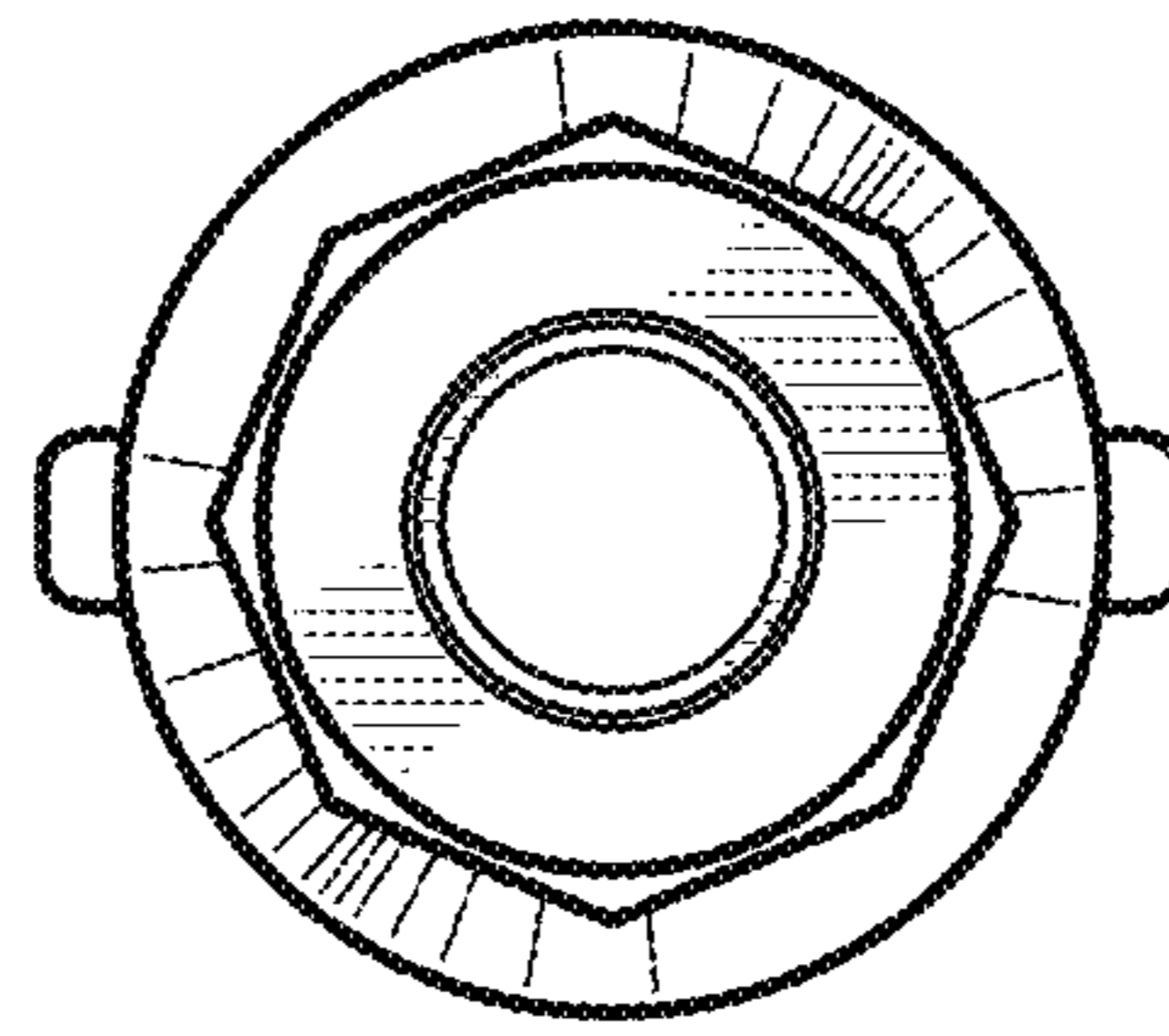


FIG. 7

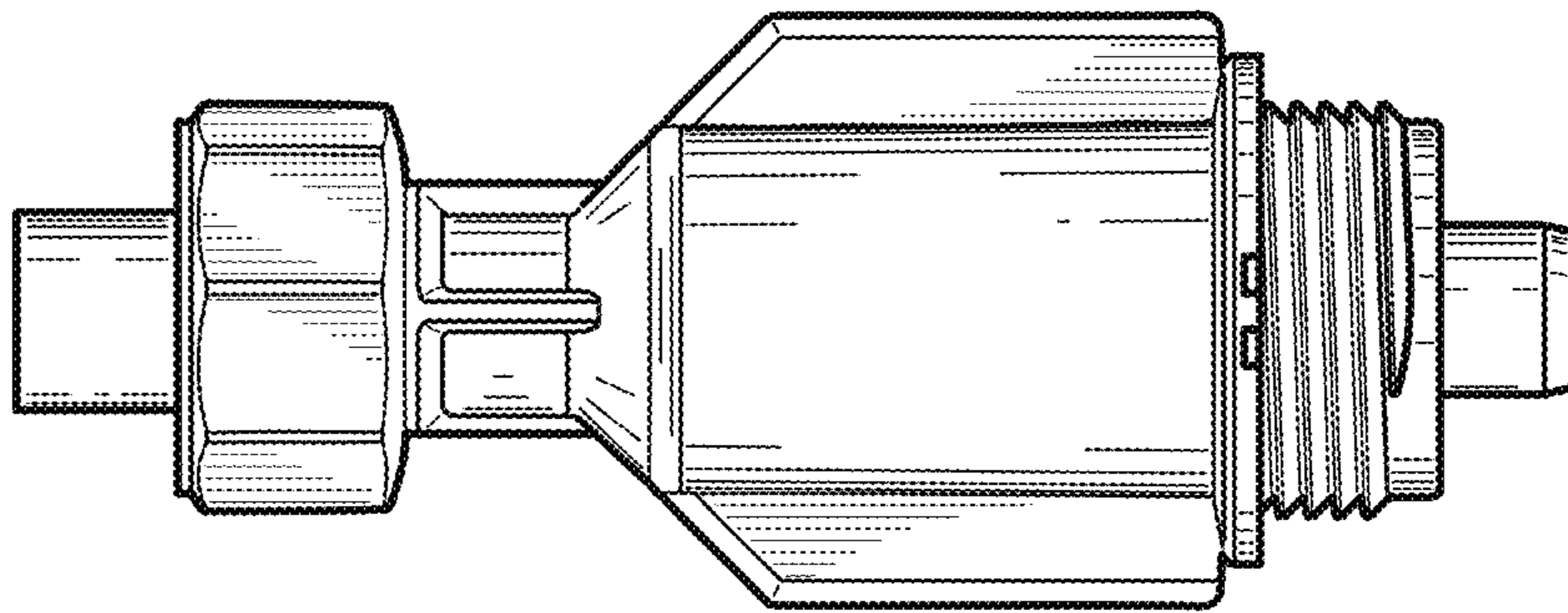


FIG. 5

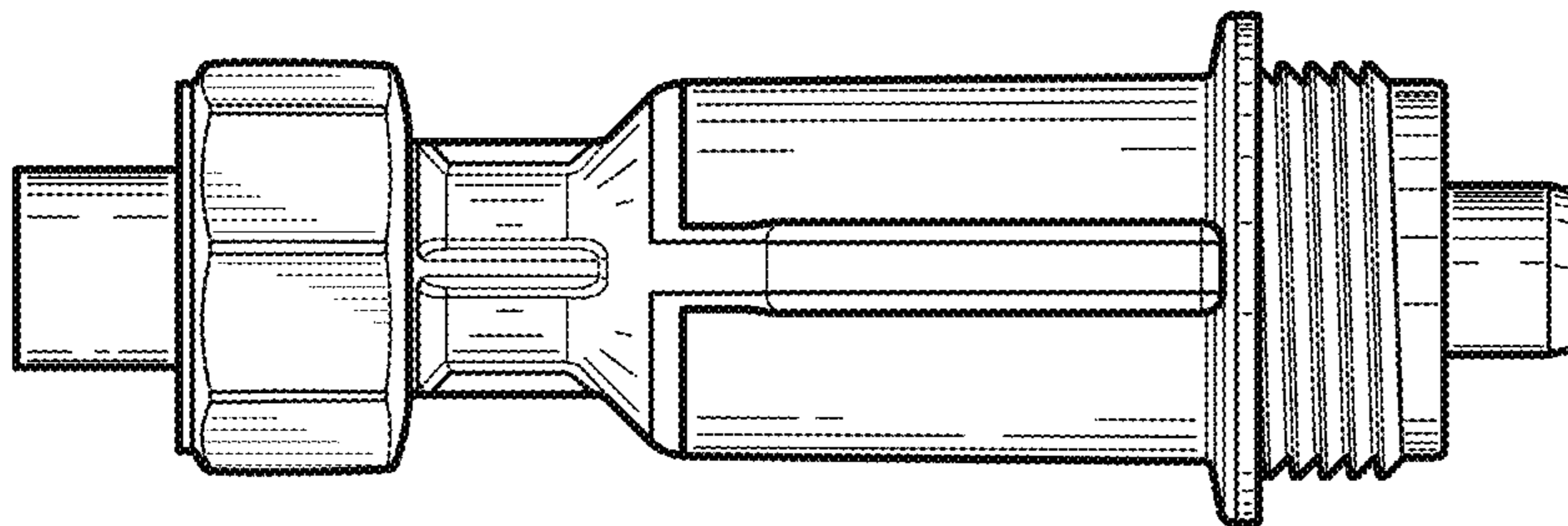


FIG. 4

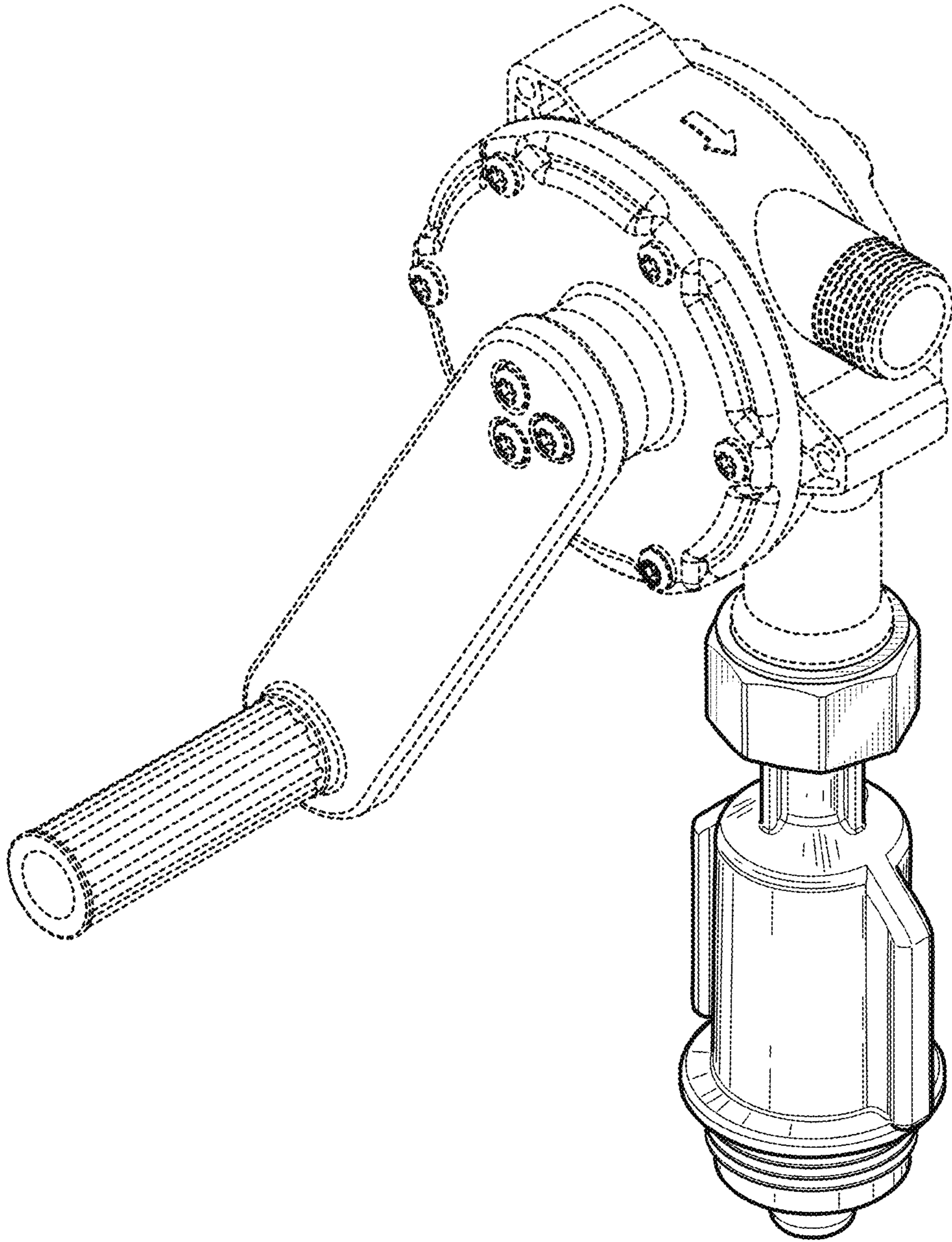


FIG. 8

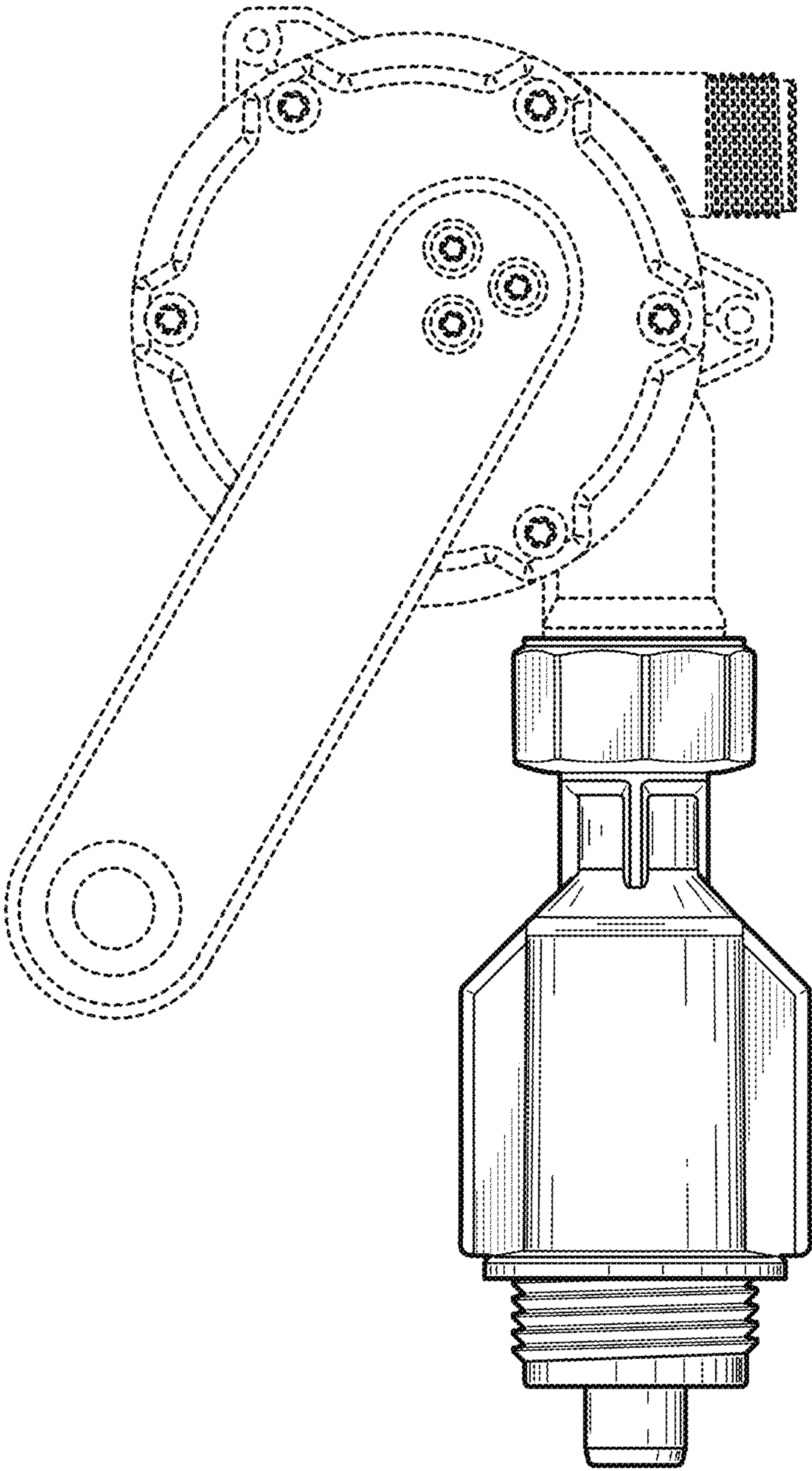


FIG. 9

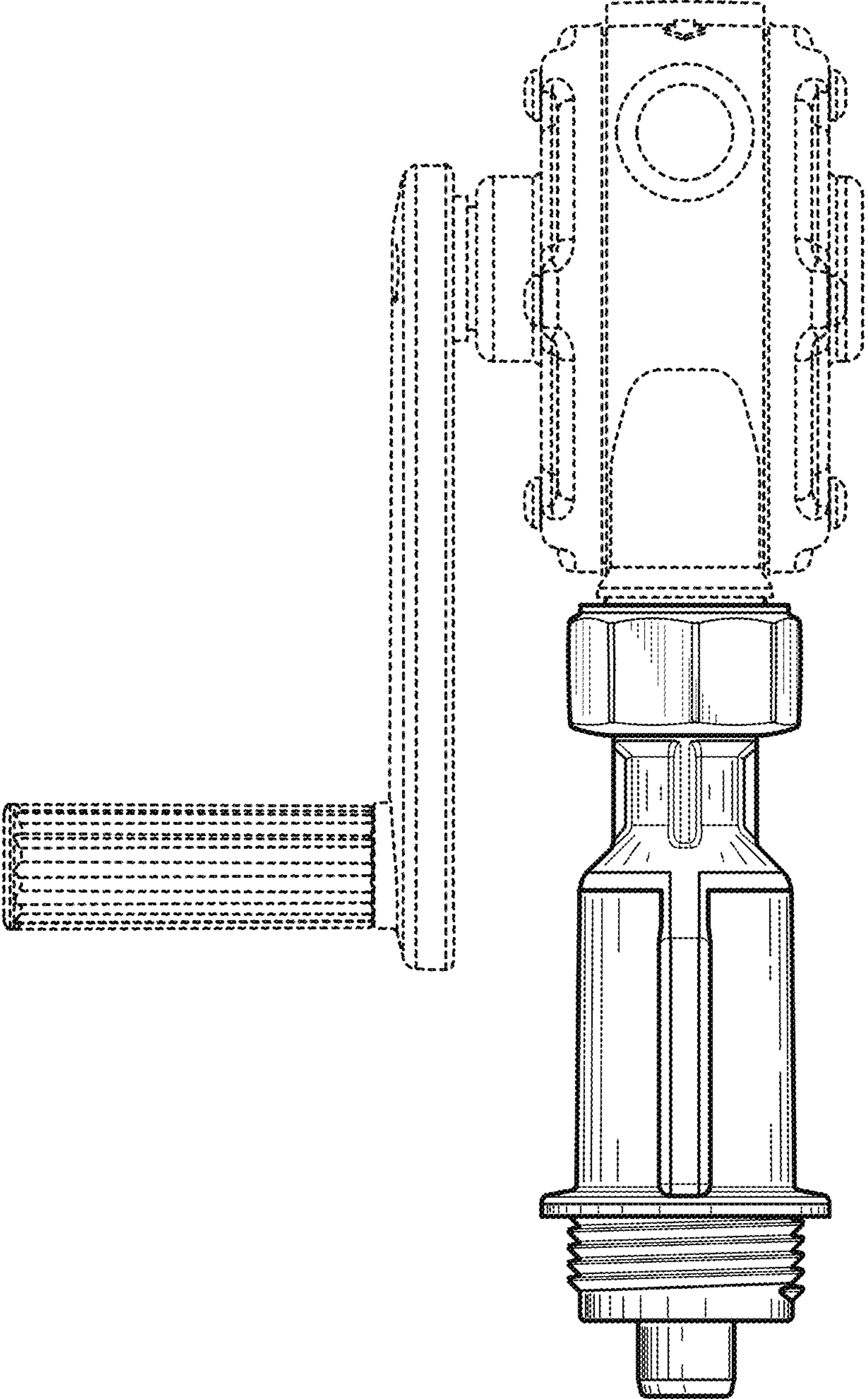


FIG. 10

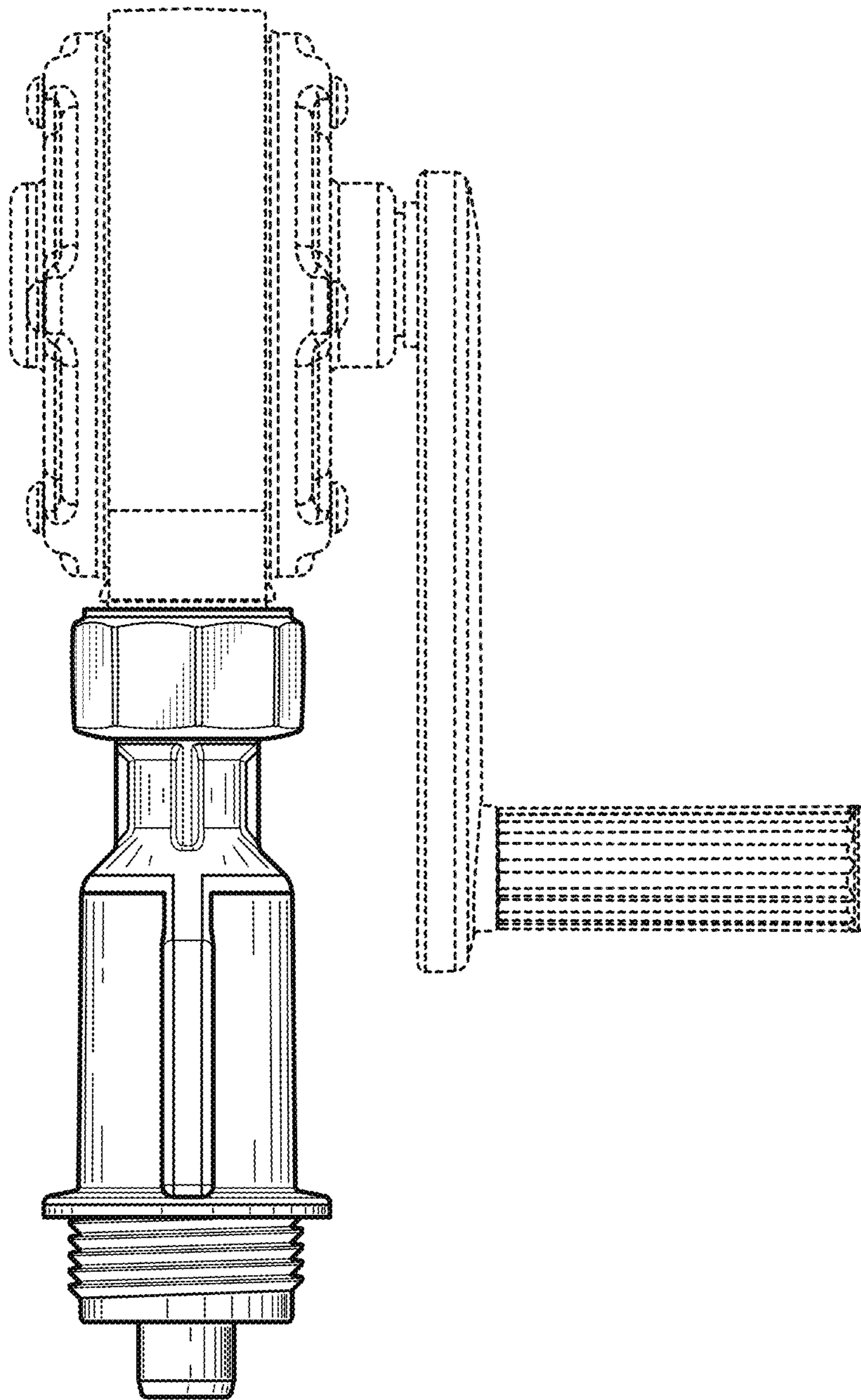


FIG. 11

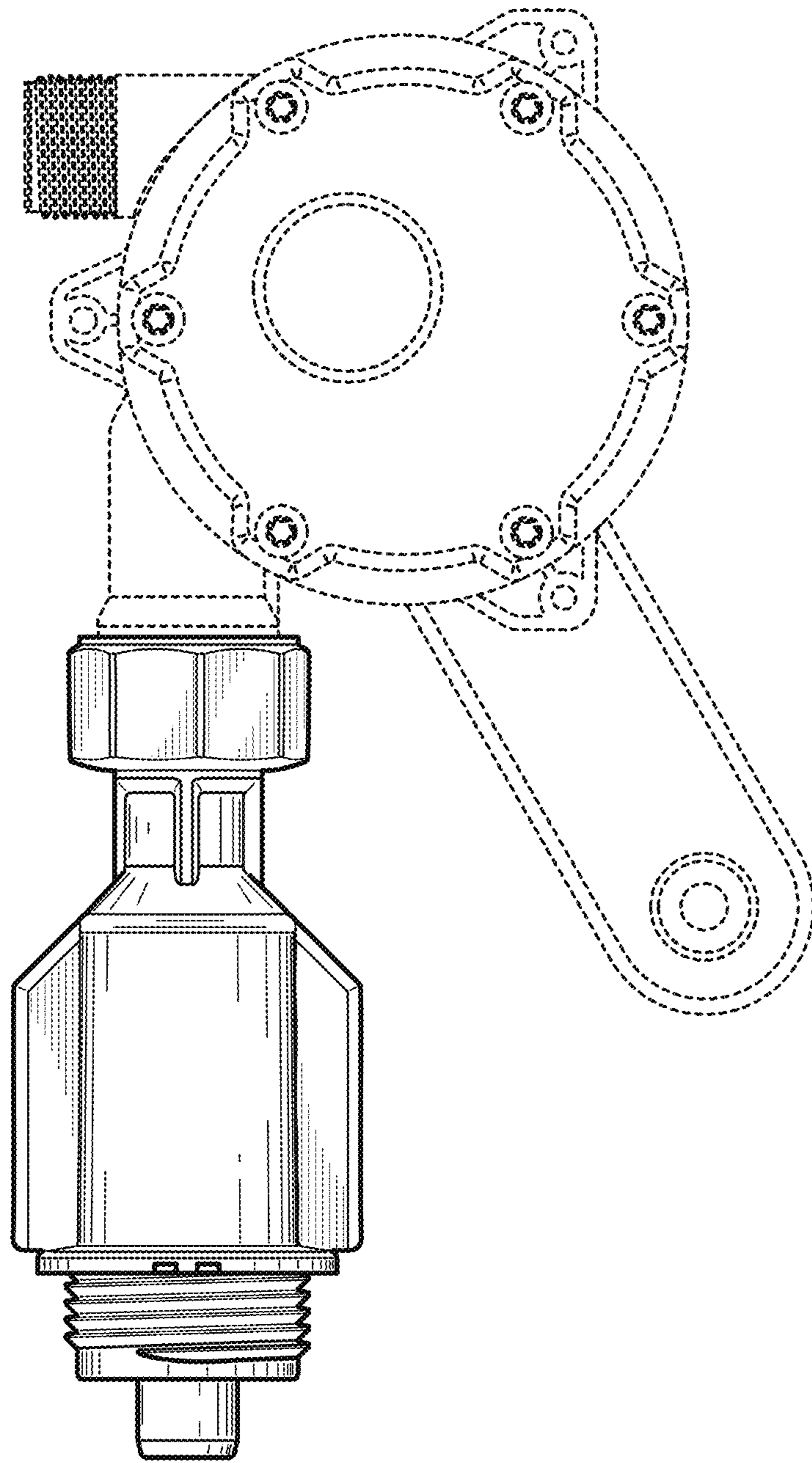


FIG. 12

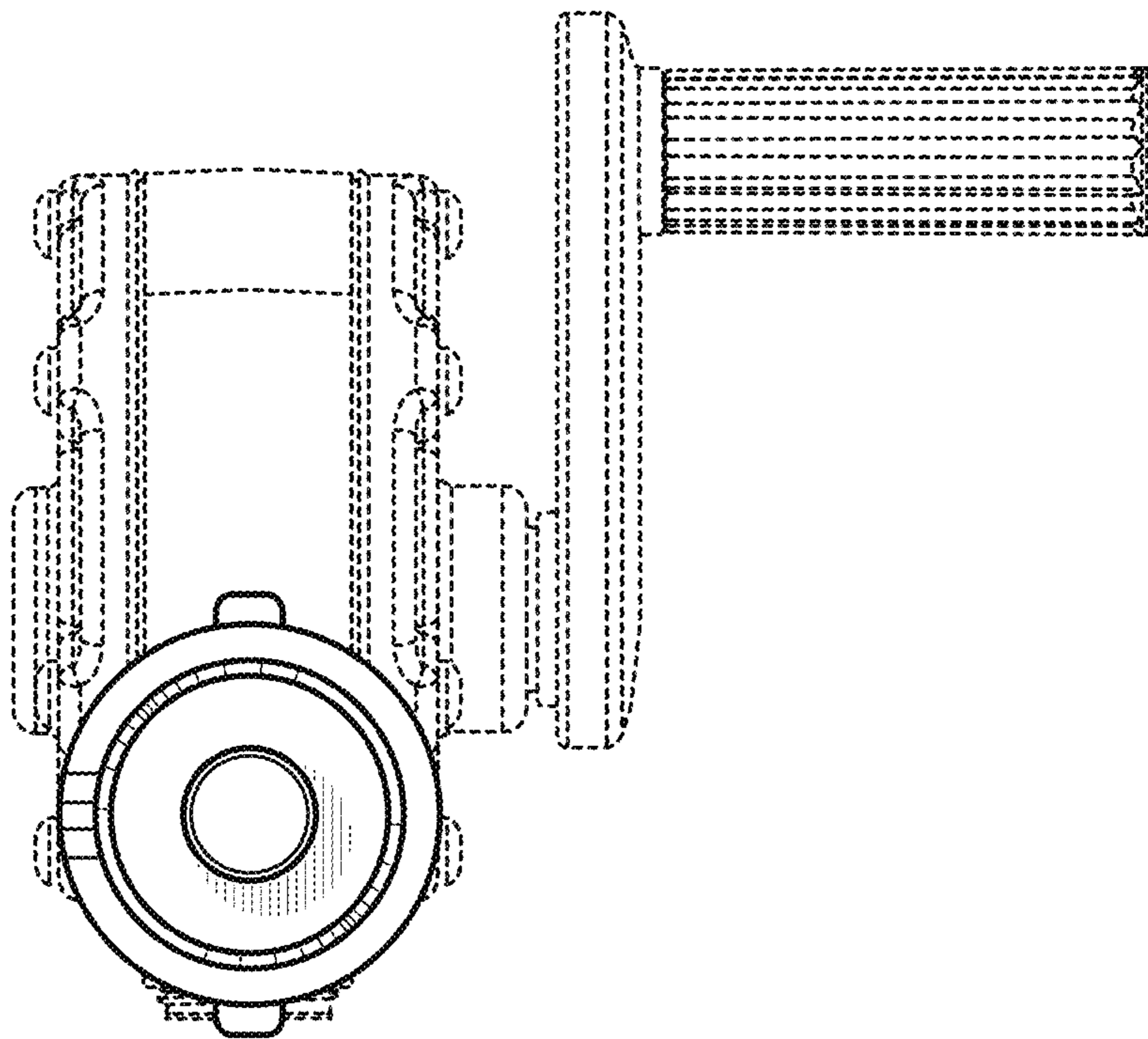


FIG. 13

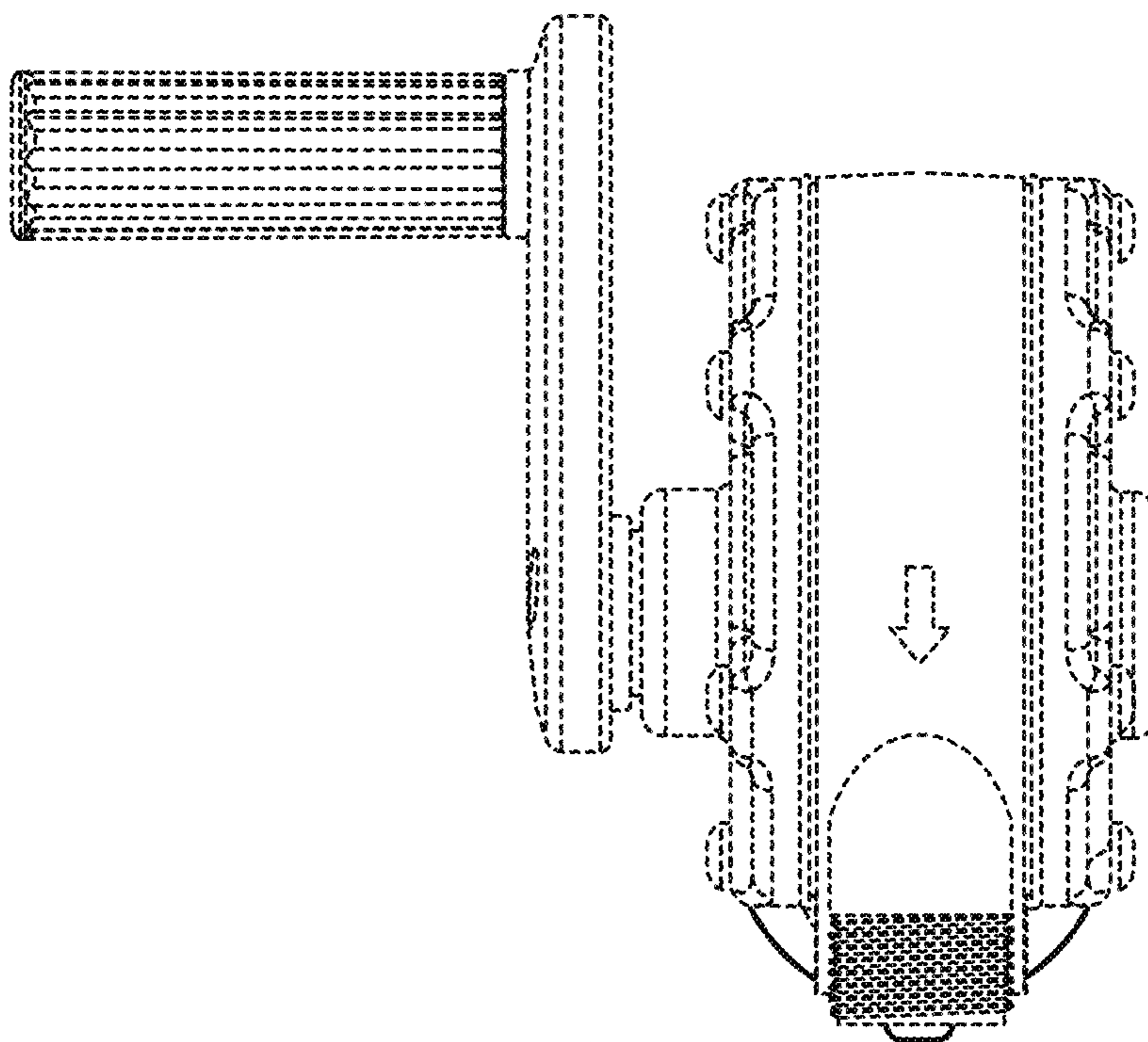


FIG. 14