



US00D769331S

(12) **United States Design Patent** (10) **Patent No.:** **US D769,331 S**  
**Park** (45) **Date of Patent:** **\*\* Oct. 18, 2016**

(54) **EJECTOR**

(71) Applicant: **Jae yeon Park**, Busan (KR)

(72) Inventor: **Jae yeon Park**, Busan (KR)

(\*\*) Term: **15 Years**

(21) Appl. No.: **29/529,905**

(22) Filed: **Jun. 11, 2015**

(30) **Foreign Application Priority Data**

Apr. 10, 2015 (KR) ..... 30-2015-0018460

(51) **LOC (10) Cl.** ..... **15-02**

(52) **U.S. Cl.**  
USPC ..... **D15/7**

(58) **Field of Classification Search**  
USPC ..... D15/7-9; D23/231, 232, 225; 417/60,  
417/235, 265, 321, 355, 358, 363, 359,  
417/410.1, 415-416, 405, 900; 60/408,  
60/412; 184/26-37; 415/140-147;  
123/495, 509; 137/565.34  
CPC ..... F02M 37/04; F02M 37/14  
See application file for complete search history.

(56) **References Cited**

**U.S. PATENT DOCUMENTS**

D426,144 S \* 6/2000 Sato ..... D23/262  
D426,455 S \* 6/2000 Sato ..... D23/262

D426,456 S \* 6/2000 Sato ..... D23/262  
D531,643 S \* 11/2006 Tischler ..... D15/7  
D623,200 S \* 9/2010 Fulkerson ..... D15/7  
D637,209 S \* 5/2011 Wessol ..... D15/7  
D637,210 S \* 5/2011 Wessol ..... D15/7  
D734,365 S \* 7/2015 Maholick ..... D15/7  
D735,240 S \* 7/2015 Cook ..... D15/7  
D749,137 S \* 2/2016 Vlosich, III ..... D15/7  
D752,110 S \* 3/2016 Cook ..... D15/7  
D755,250 S \* 5/2016 Mangiagli ..... D15/7

\* cited by examiner

*Primary Examiner* — Ralf Seifert

(74) *Attorney, Agent, or Firm* — Park & Associates IP Law, P.C.

(57) **CLAIM**

The ornamental design for an ejector, as shown and described.

**DESCRIPTION**

FIG. 1 is a perspective view of an ejector in accordance with the new design;  
FIG. 2 is a front view thereof;  
FIG. 3 is a rear view thereof;  
FIG. 4 is a left side view thereof;  
FIG. 5 is a top plan view thereof;  
FIG. 6 is a bottom plan view thereof; and,  
FIG. 7 is a rear perspective view thereof.

**1 Claim, 6 Drawing Sheets**

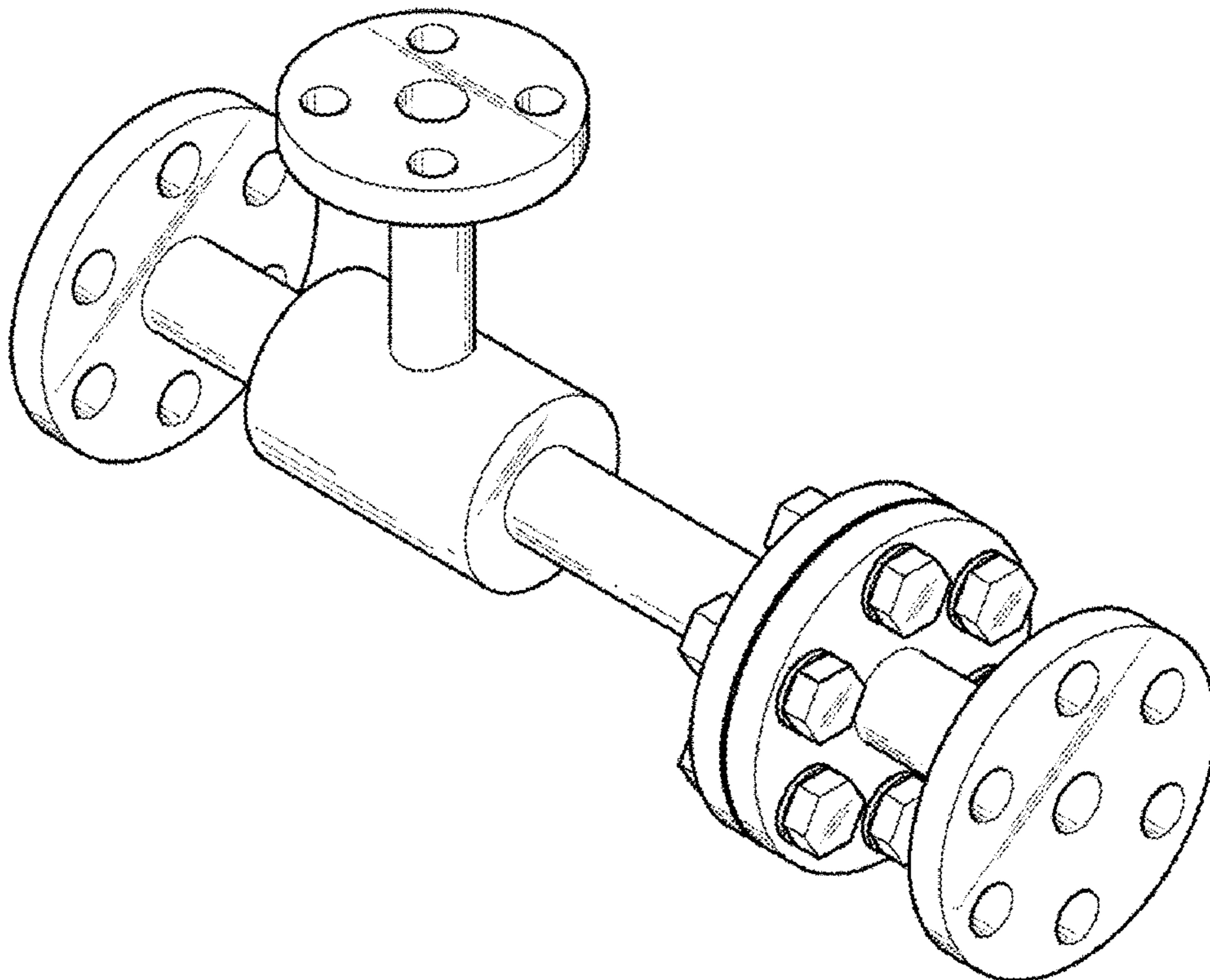


FIG. 1

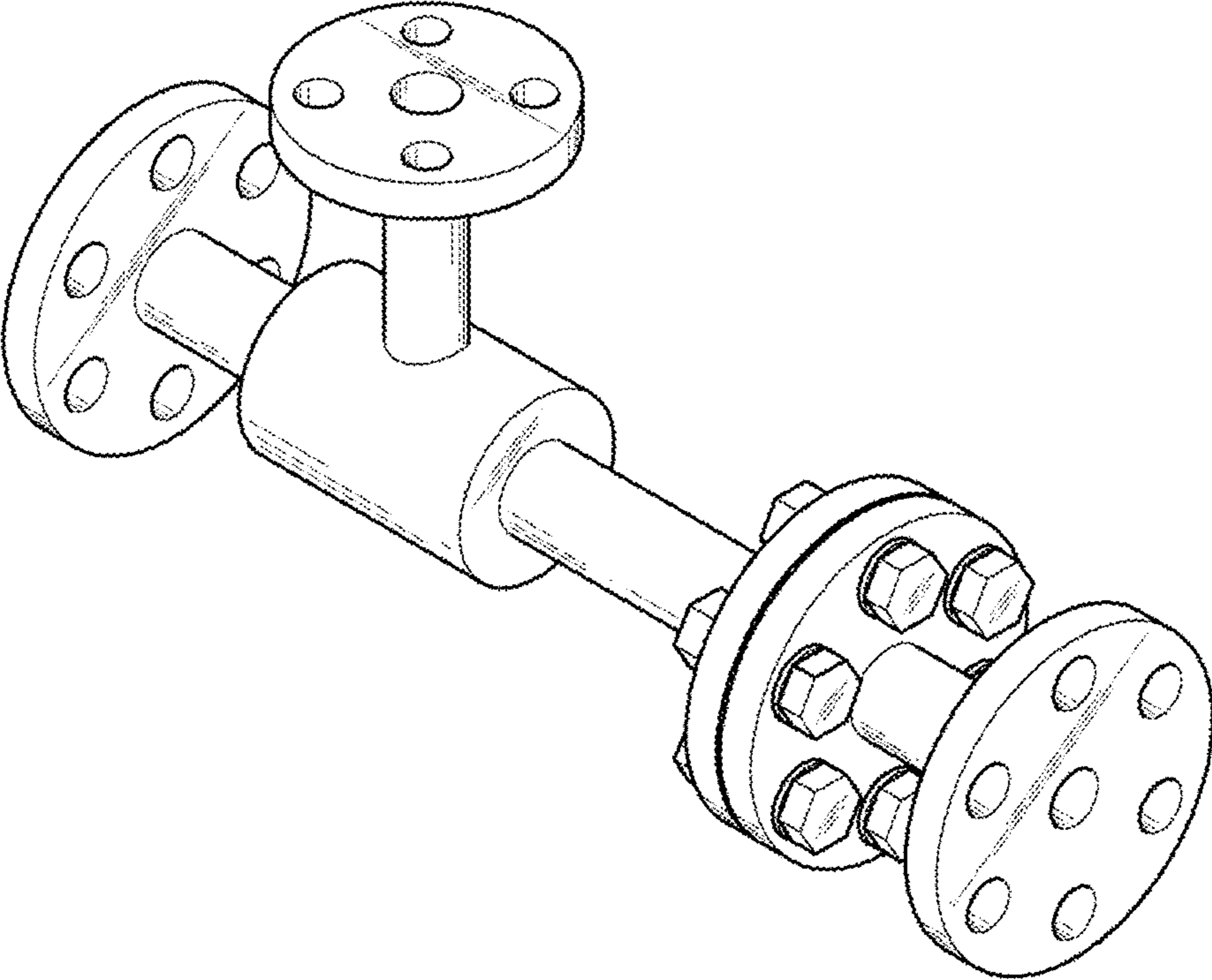


FIG. 2

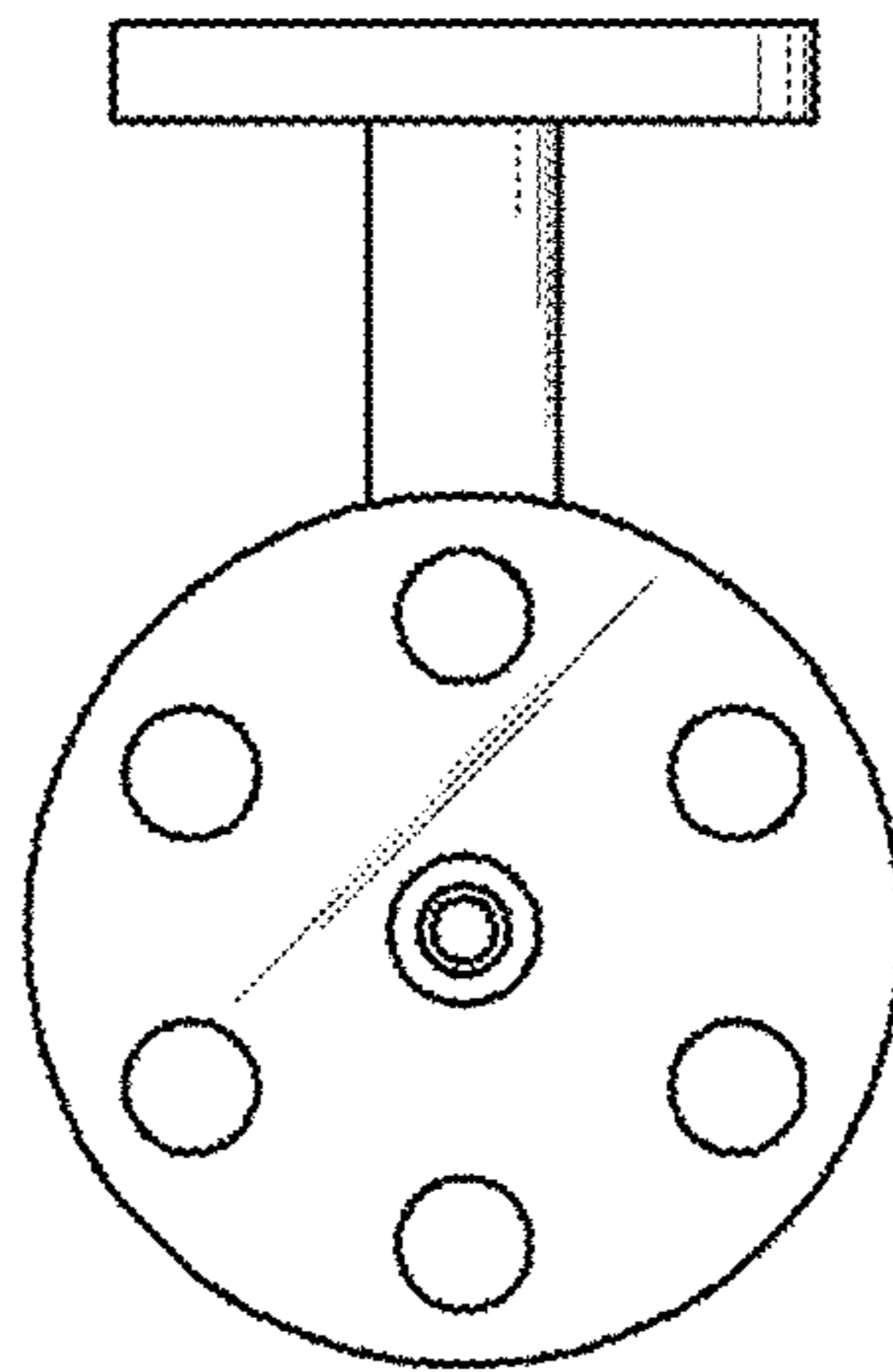


FIG. 3

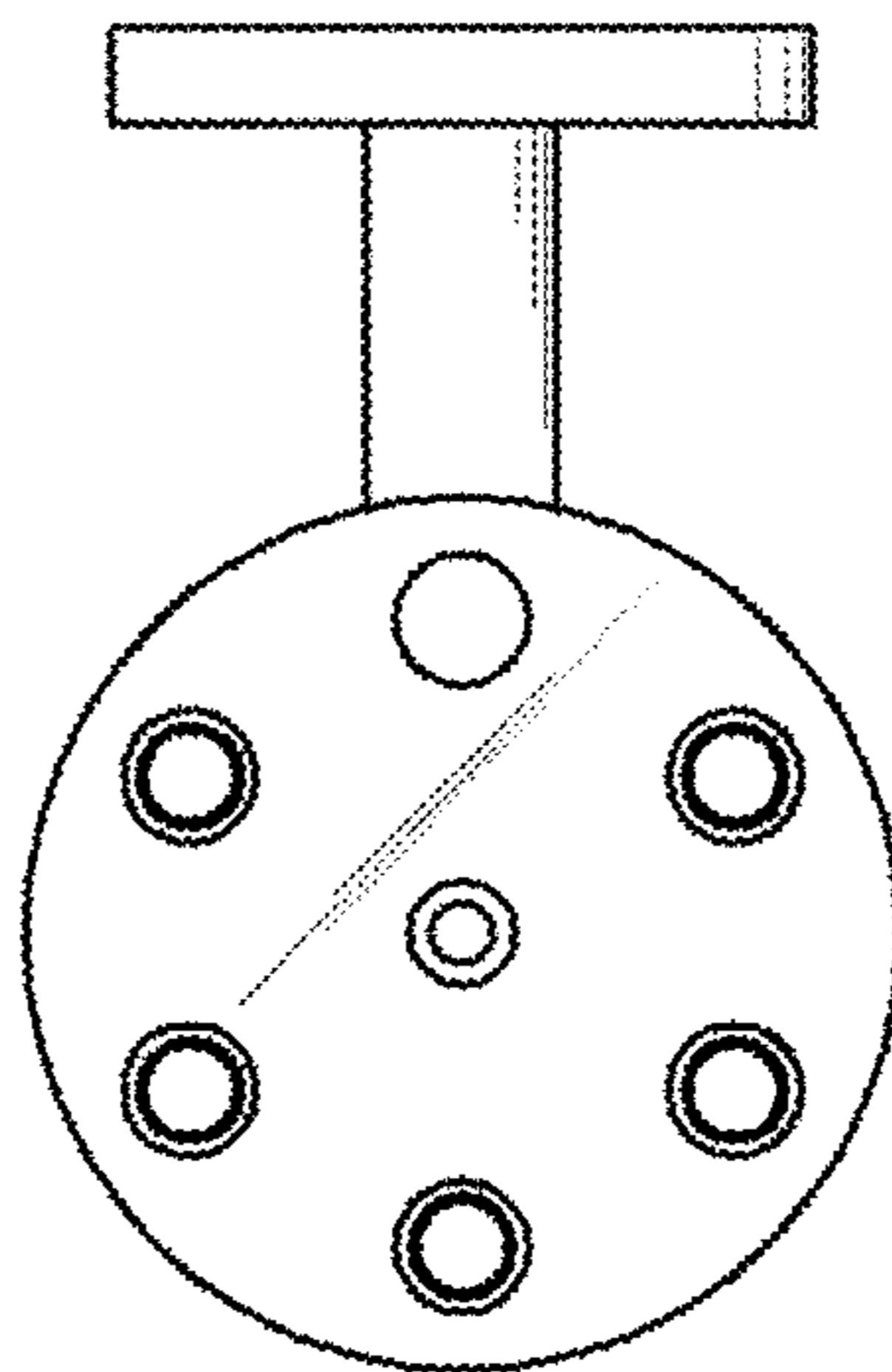


FIG. 4

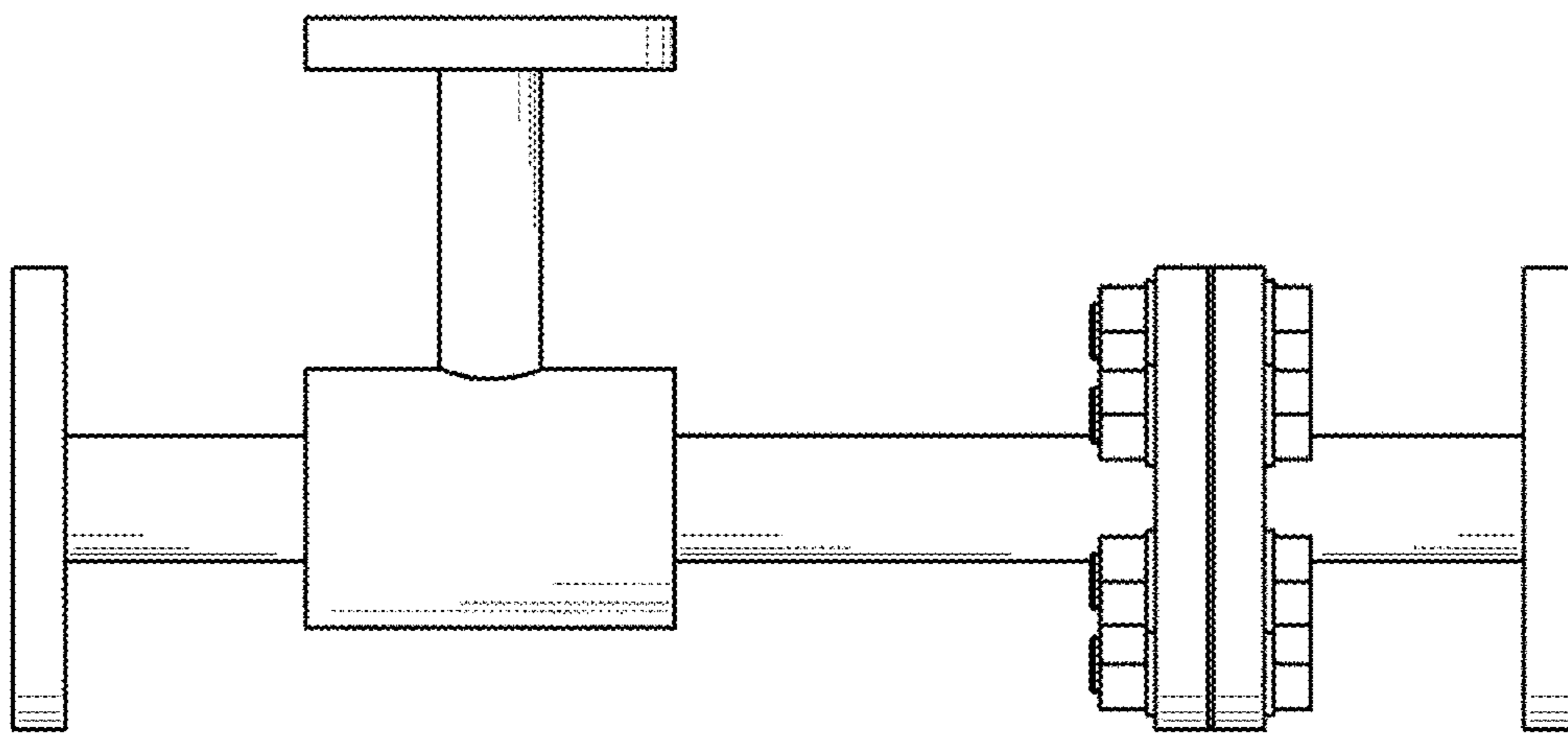


FIG. 5

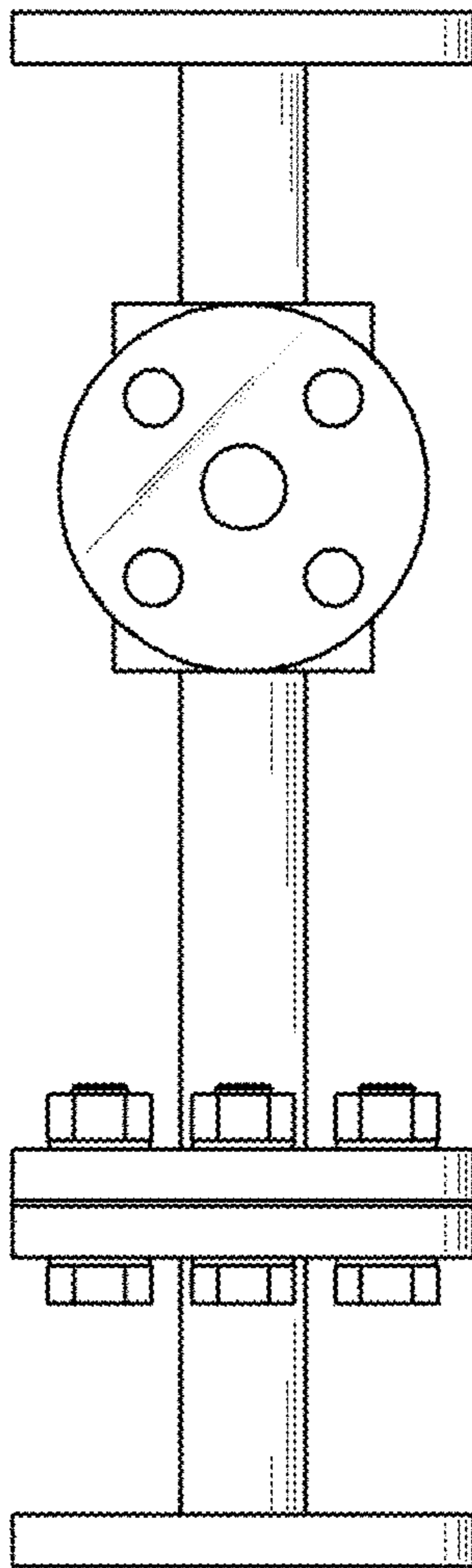


FIG. 6

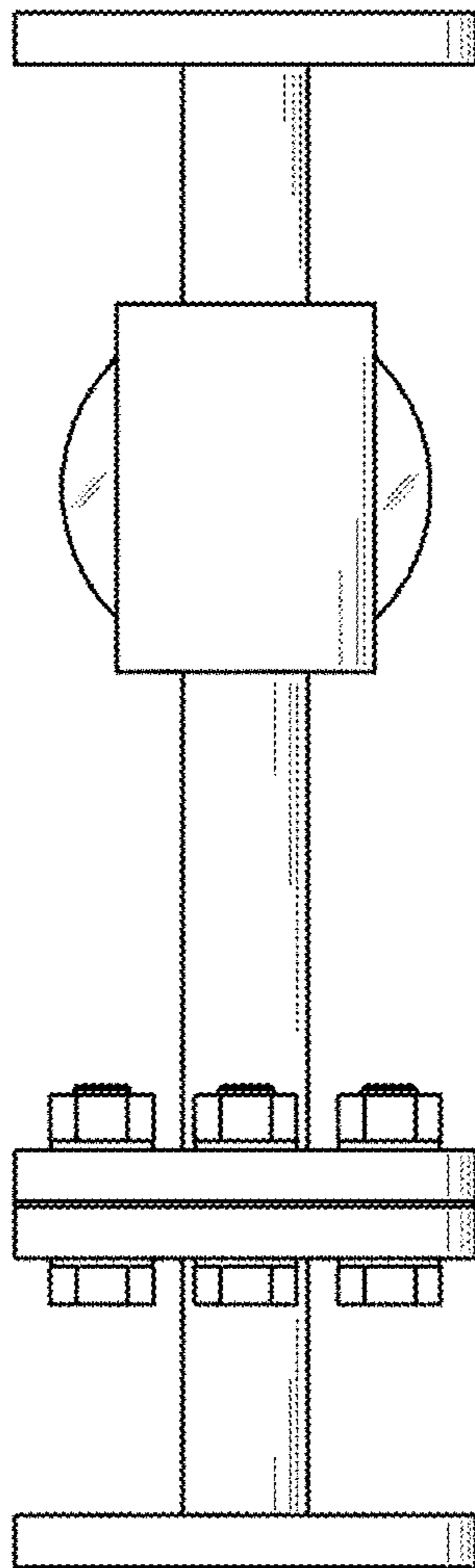


FIG. 7

