



US00D769330S

(12) **United States Design Patent**
Park

(10) **Patent No.:** **US D769,330 S**

(45) **Date of Patent:** **** Oct. 18, 2016**

(54) **EJECTOR**

(71) Applicant: **Jae yeon Park**, Busan (KR)

(72) Inventor: **Jae yeon Park**, Busan (KR)

(**) Term: **15 Years**

(21) Appl. No.: **29/529,897**

(22) Filed: **Jun. 11, 2015**

(30) **Foreign Application Priority Data**

Apr. 10, 2015 (KR) 30-2015-0018459

(51) **LOC (10) Cl.** **15-02**

(52) **U.S. Cl.**
USPC **D15/7**

(58) **Field of Classification Search**
USPC D15/7-9; D23/231, 232, 225; 417/60,
417/235, 265, 321, 355, 358, 363, 359,
417/410.1, 415-416, 405, 900; 60/408,
60/412; 184/26-37; 415/140-147;
123/495, 509; 137/565.34
CPC F02M 37/04; F02M 37/14
See application file for complete search history.

(56) **References Cited**

U.S. PATENT DOCUMENTS

D426,144 S * 6/2000 Sato D23/262
D426,455 S * 6/2000 Sato D23/262

D426,456 S * 6/2000 Sato D23/262
D531,643 S * 11/2006 Tischler D15/7
D623,200 S * 9/2010 Fulkerson D15/7
D637,209 S * 5/2011 Wessol D15/7
D637,210 S * 5/2011 Wessol D15/7
D734,365 S * 7/2015 Maholick D15/7
D735,240 S * 7/2015 Cook D15/7
D749,137 S * 2/2016 Vlosich, III D15/7
D752,110 S * 3/2016 Cook D15/7
D755,250 S * 5/2016 Mangiagli D15/7

* cited by examiner

Primary Examiner — Ralf Seifert

(74) *Attorney, Agent, or Firm* — Park & Associates IP
Law, P. C.

(57) **CLAIM**

The ornamental design for an ejector, as shown and described.

DESCRIPTION

FIG. 1 is a perspective view of an ejector in accordance with the new design;
FIG. 2 is a front view thereof;
FIG. 3 is a rear view thereof;
FIG. 4 is a left side view thereof;
FIG. 5 is a top plan view thereof;
FIG. 6 is a bottom plan view thereof; and,
FIG. 7 is a rear perspective view thereof.

1 Claim, 6 Drawing Sheets

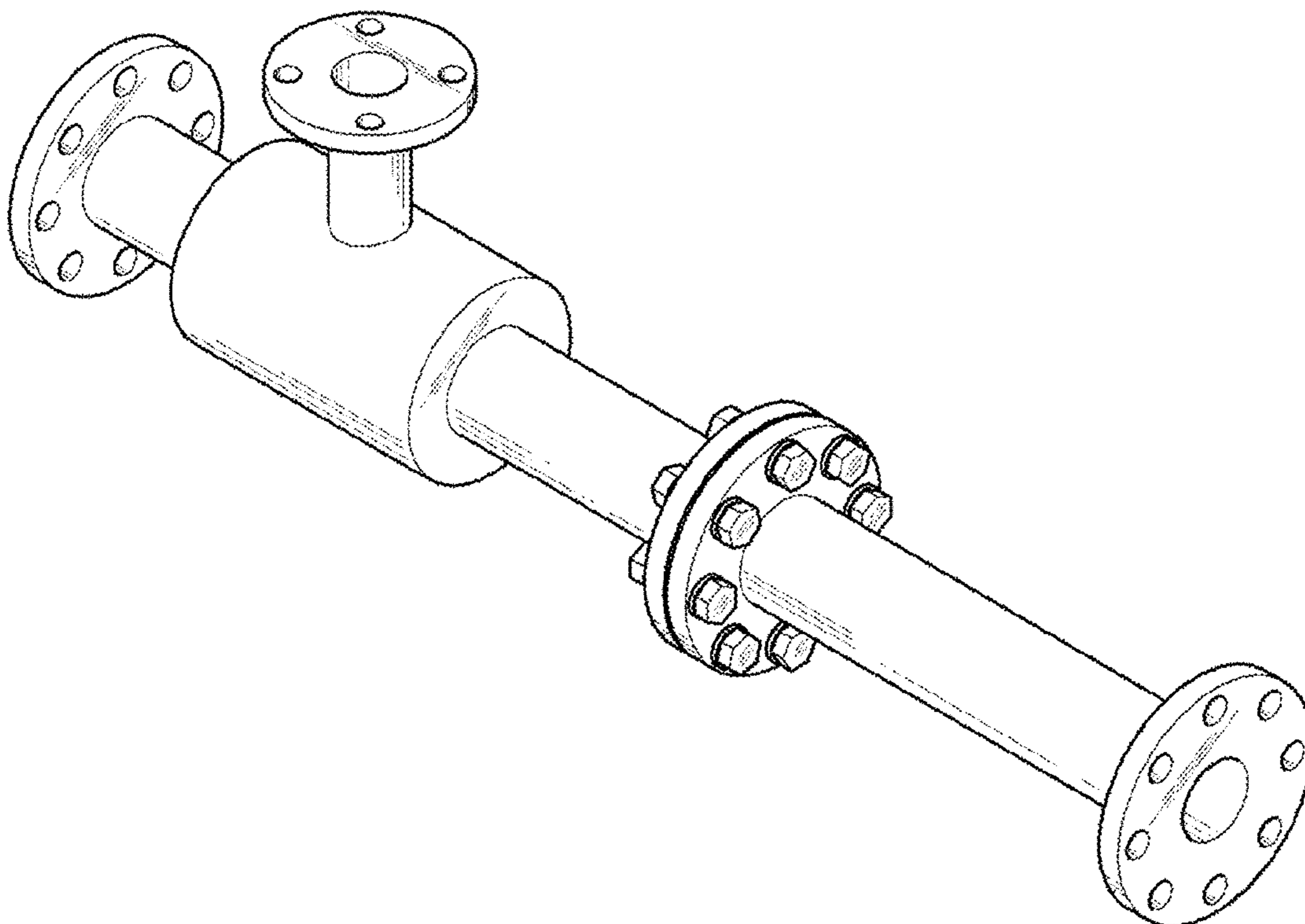


FIG. 1

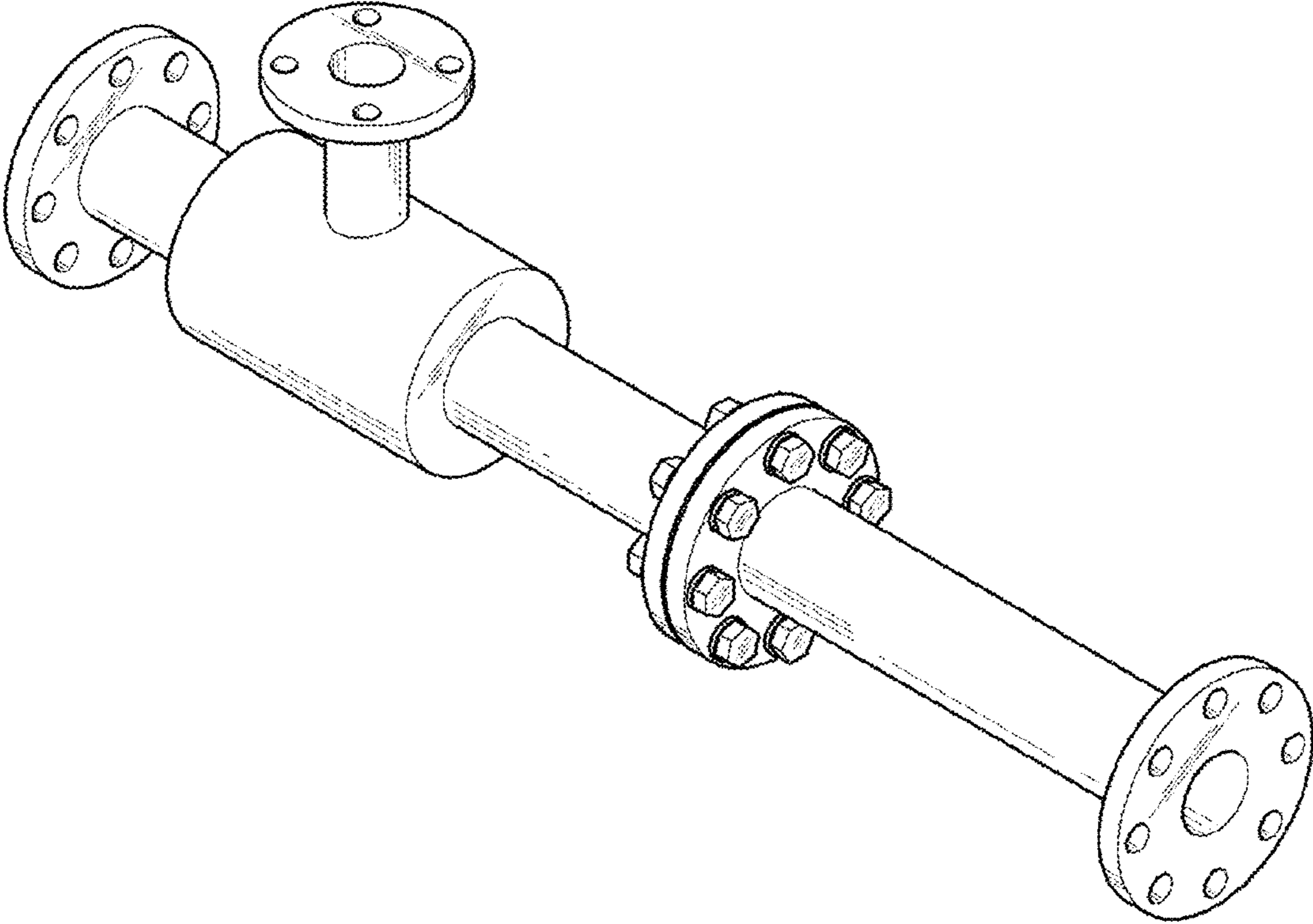


FIG. 2

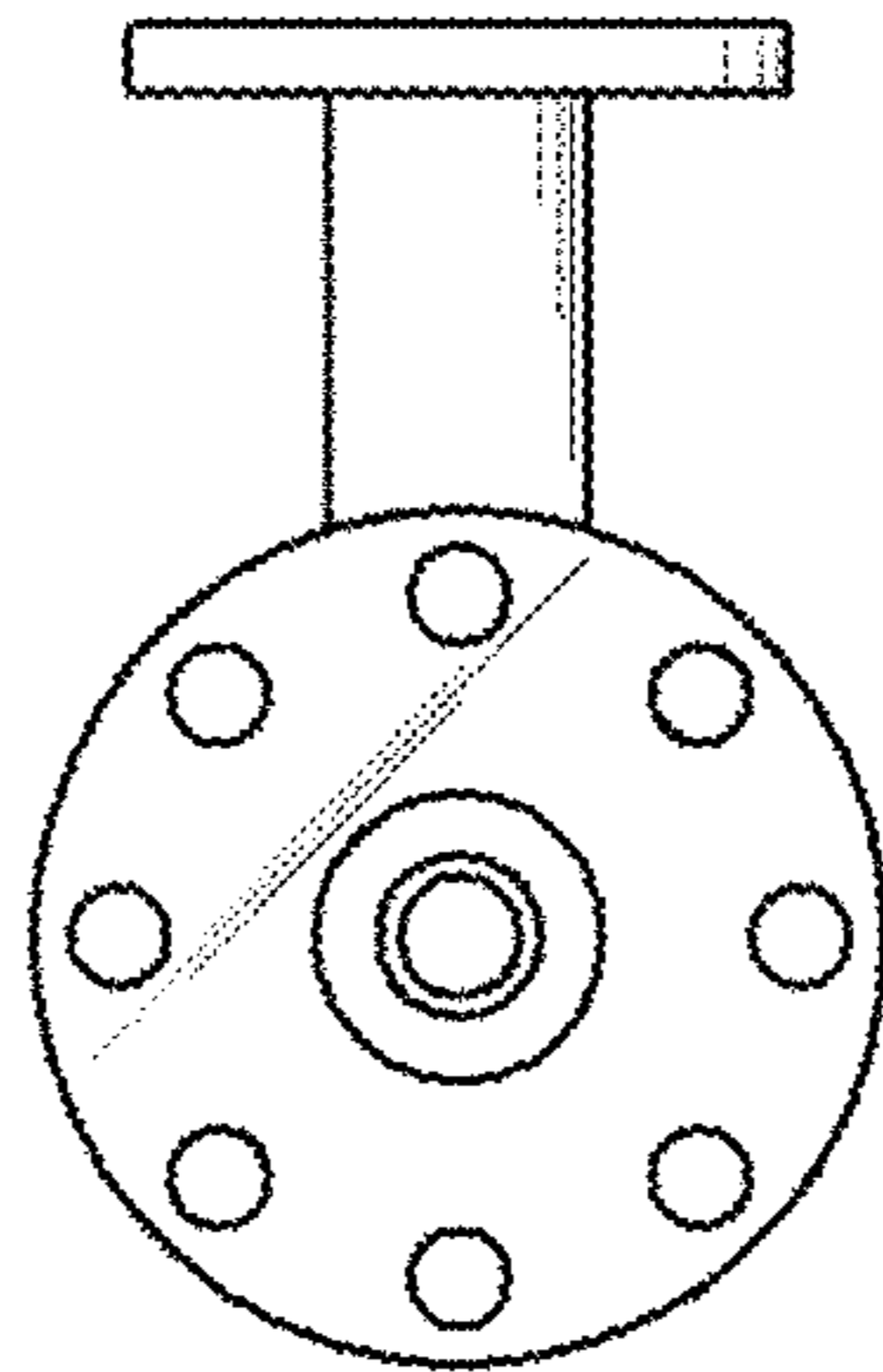


FIG. 3

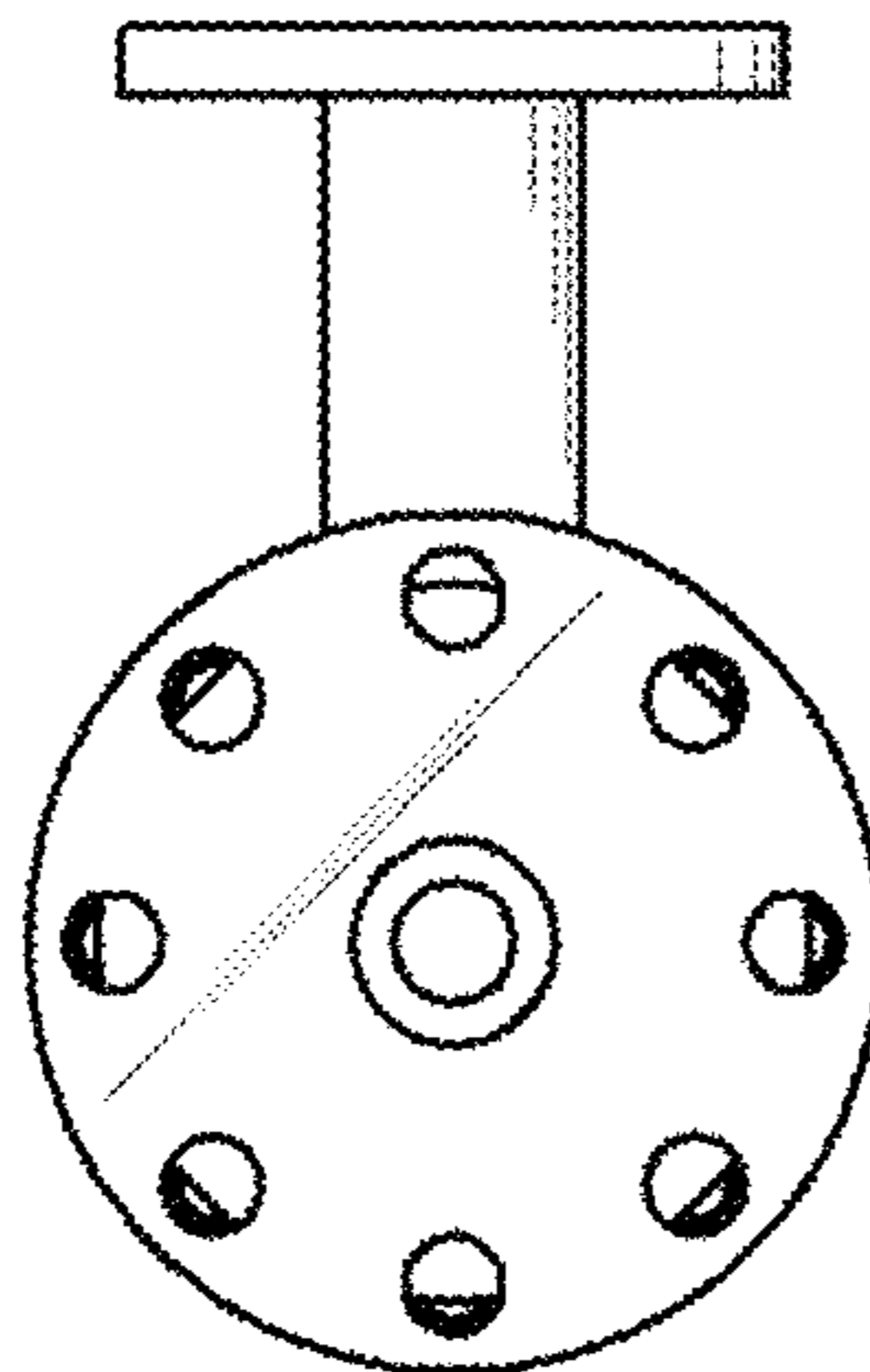


FIG. 4

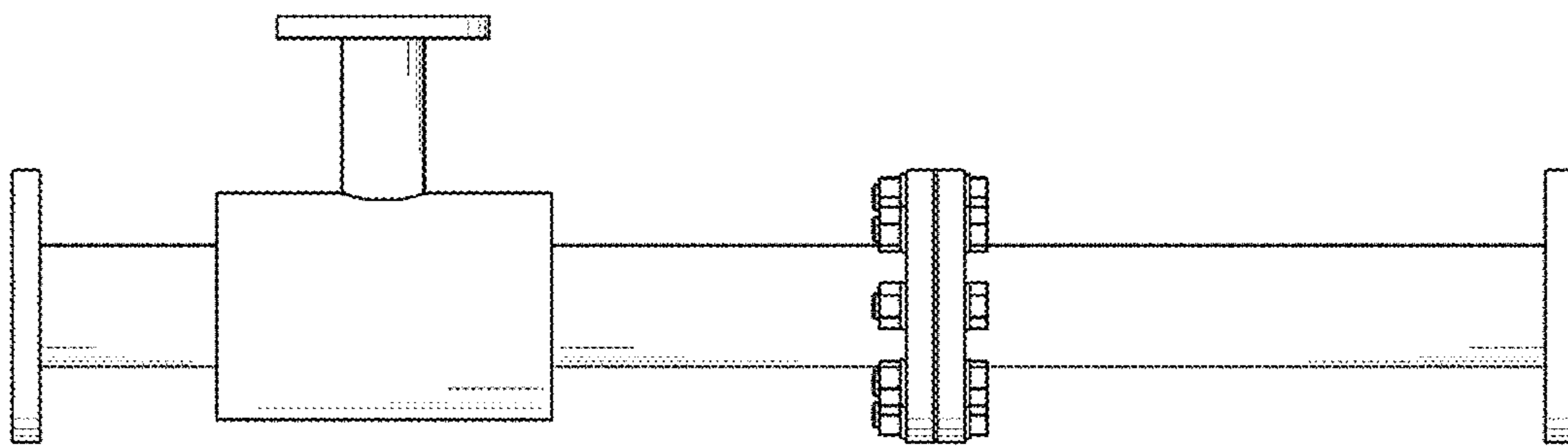


FIG. 5

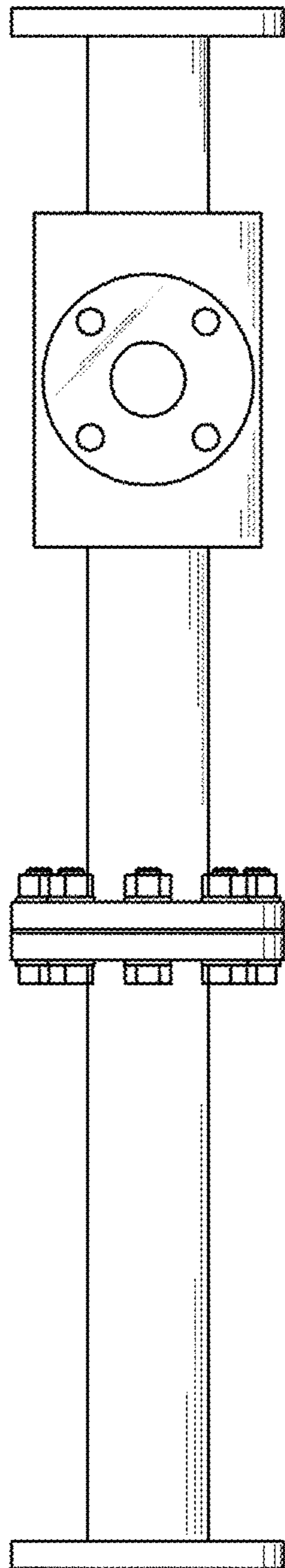


FIG. 6

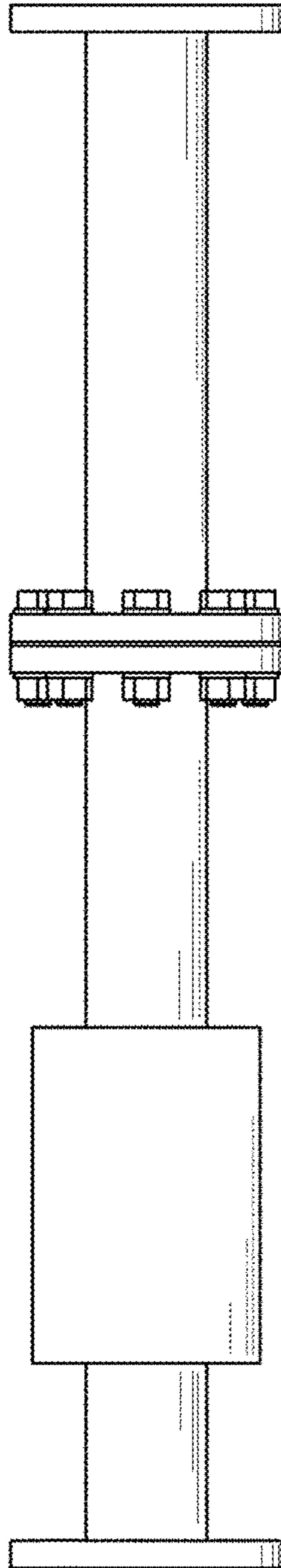


FIG. 7

