



US00D769329S

(12) **United States Design Patent**
Ide et al.

(10) **Patent No.:** **US D769,329 S**
(45) **Date of Patent:** **** Oct. 18, 2016**

(54) **BAFFLE FOR A CRANKCASE FILTER ASSEMBLY**

(71) Applicant: **RB Distribution, Inc.**, Colmar, PA (US)

(72) Inventors: **Stephen R. Ide**, Nazareth, PA (US); **Kunjan S. Khambhati**, King of Prussia, PA (US); **James Laverly**, Pennsburg, PA (US)

(73) Assignee: **RB Distribution, Inc.**, Colmar, PA (US)

(**) Term: **15 Years**

(21) Appl. No.: **29/544,189**

(22) Filed: **Oct. 30, 2015**

(51) **LOC (10) Cl.** **15-01**

(52) **U.S. Cl.**
USPC **D15/5**

(58) **Field of Classification Search**
USPC D15/1-6; D23/365, 209, 363, 358, 386, D23/354, 341, 364; 55/332
CPC F01M 13/00; F01M 2013/0038
See application file for complete search history.

(56) **References Cited**

U.S. PATENT DOCUMENTS

5,937,816 A * 8/1999 Wincewicz F02M 19/00
123/195 A
D671,201 S * 11/2012 Yano D23/365
2004/0011318 A1 * 1/2004 Bonde F02B 63/02
123/195 R
2009/0193972 A1 * 8/2009 Schwandt B01D 19/0031
95/247

OTHER PUBLICATIONS

KLM Performance—6.7L Cummins Replacement Crank Case Vent Filter CV52001; (<http://www.klmperformance.com/>); retrieved Oct. 30, 2015.

* cited by examiner

Primary Examiner — T. Chase Nelson

Assistant Examiner — Ania Aman

(74) *Attorney, Agent, or Firm* — Volpe and Koenig, P.C.

(57) **CLAIM**

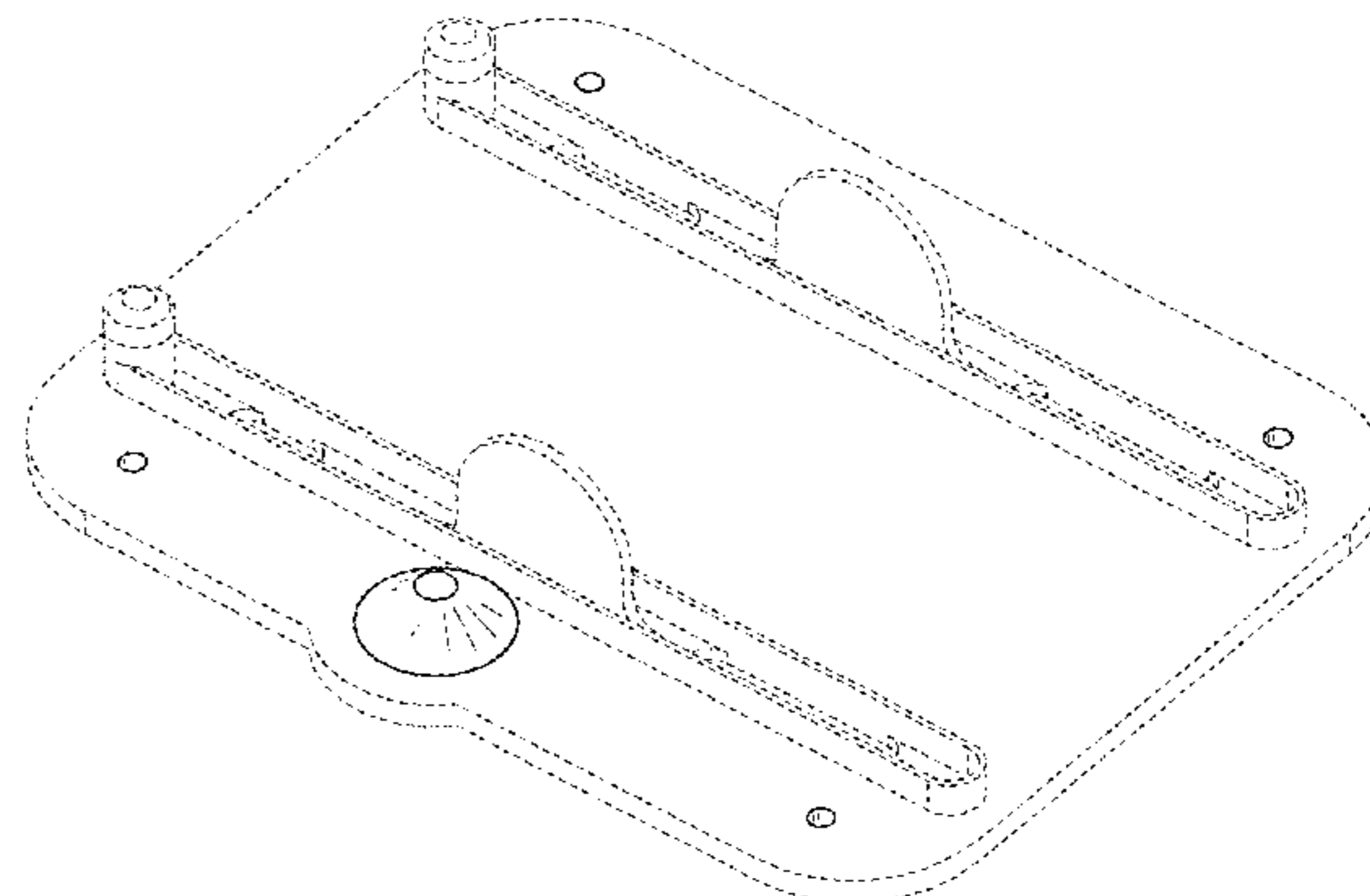
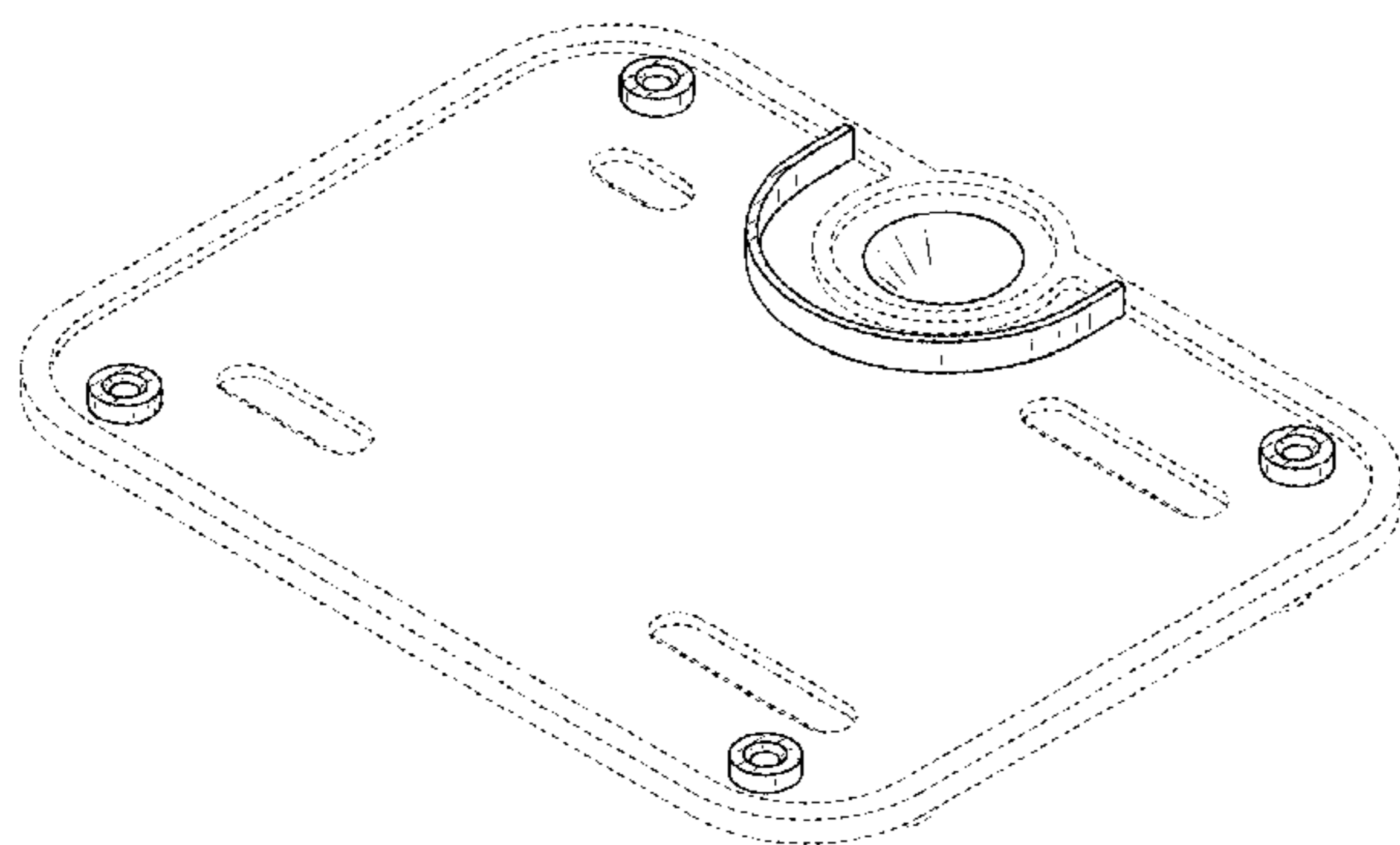
The ornamental design for a baffle for a crankcase filter assembly, as shown and described.

DESCRIPTION

FIG. 1 is a top perspective view of our baffle for a crankcase filter assembly;
FIG. 2 is a bottom perspective view of our baffle for a crankcase filter assembly;
FIG. 3 is a top plan view of the baffle of FIG. 1;
FIG. 4 is a bottom plan view of the baffle of FIG. 1;
FIG. 5 is a left side elevation of the baffle of FIG. 1;
FIG. 6 is a right side elevation of the baffle of FIG. 1;
FIG. 7 is a front elevation of the baffle of FIG. 1; and,
FIG. 8 is a rear elevation of the baffle of FIG. 1.

The broken line showing of portions is included for the purpose of illustrating environment and forms no part of the claimed design for a baffle for a crankcase filter assembly.

1 Claim, 6 Drawing Sheets



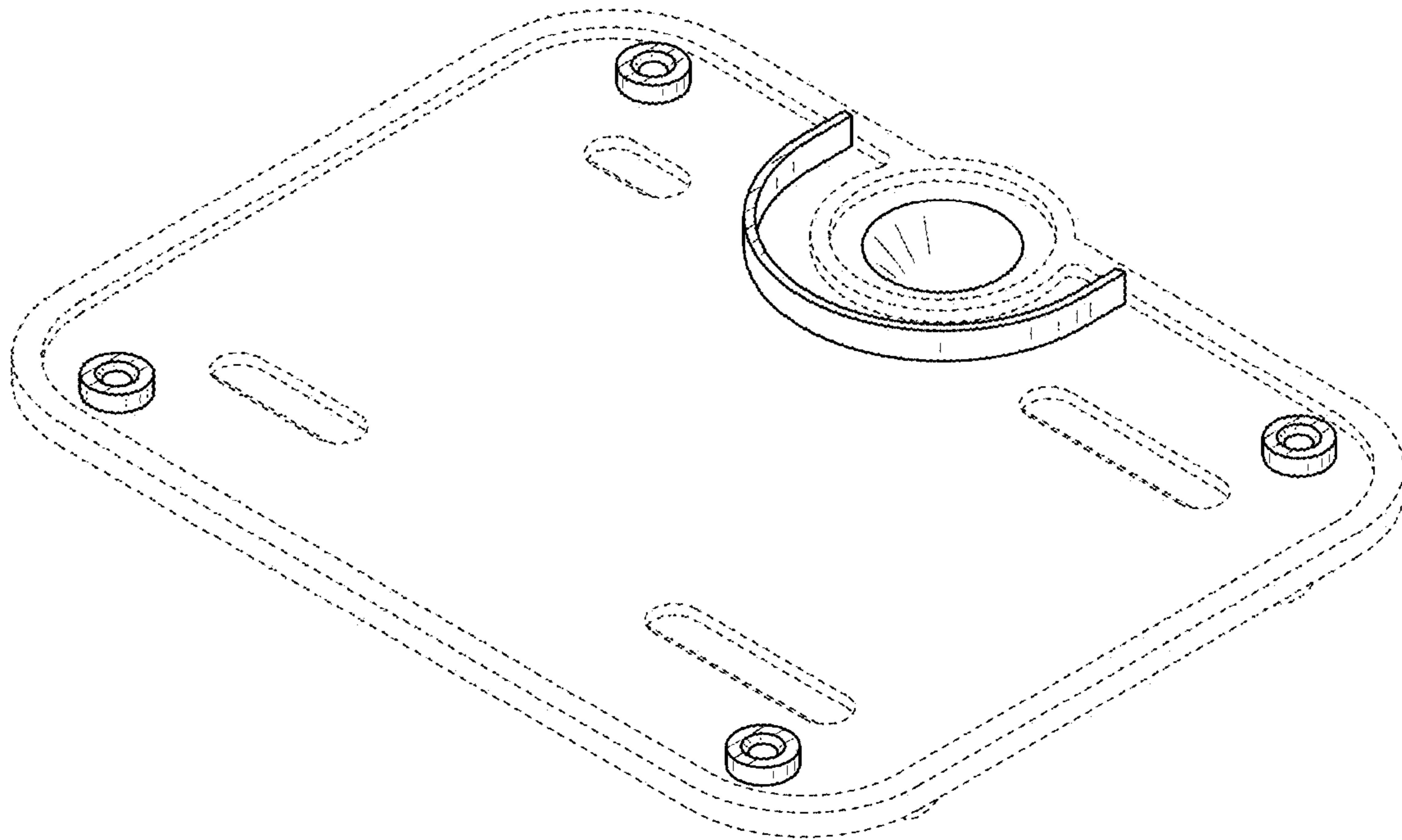


FIG. 1

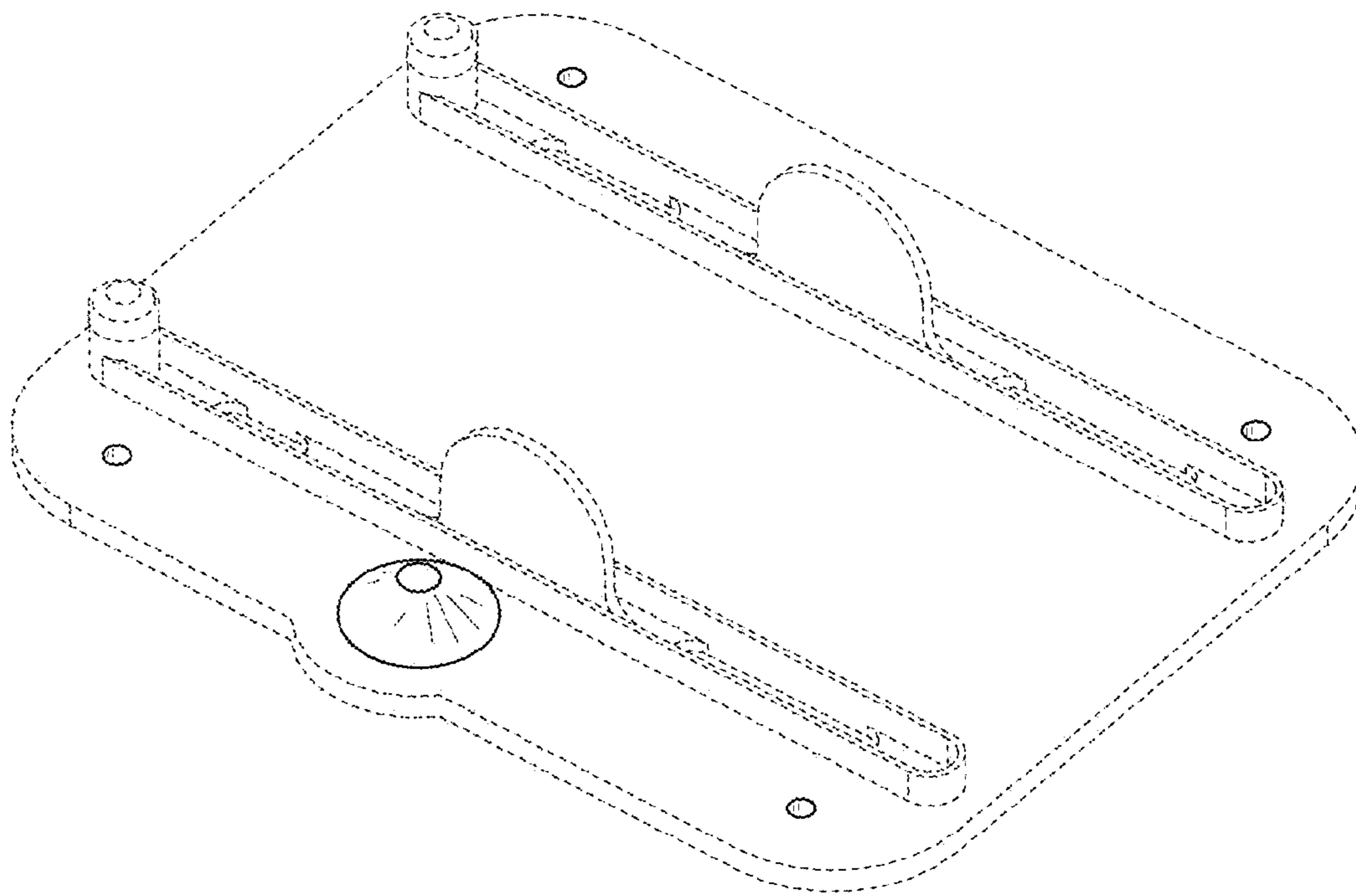


FIG. 2

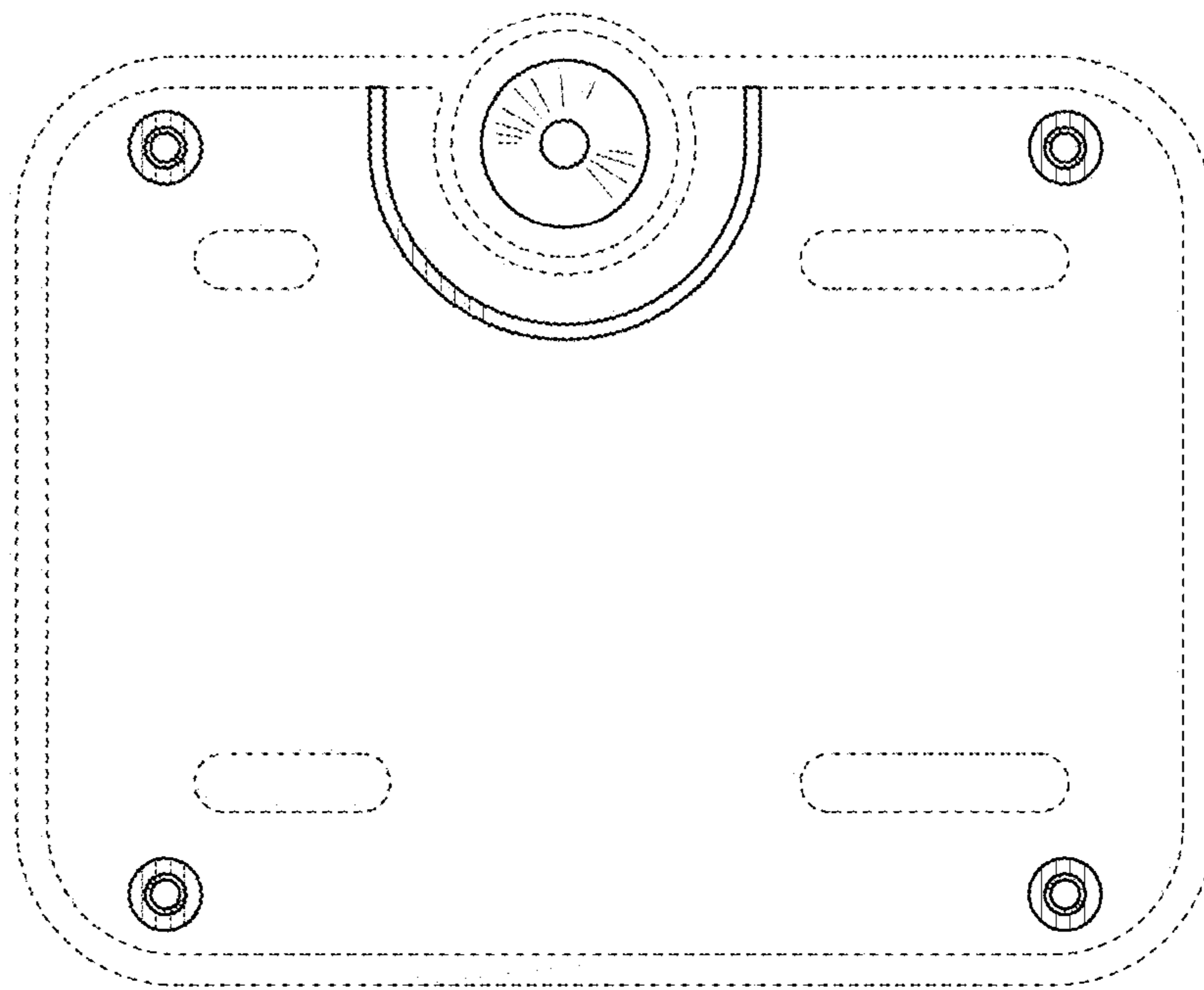


FIG. 3

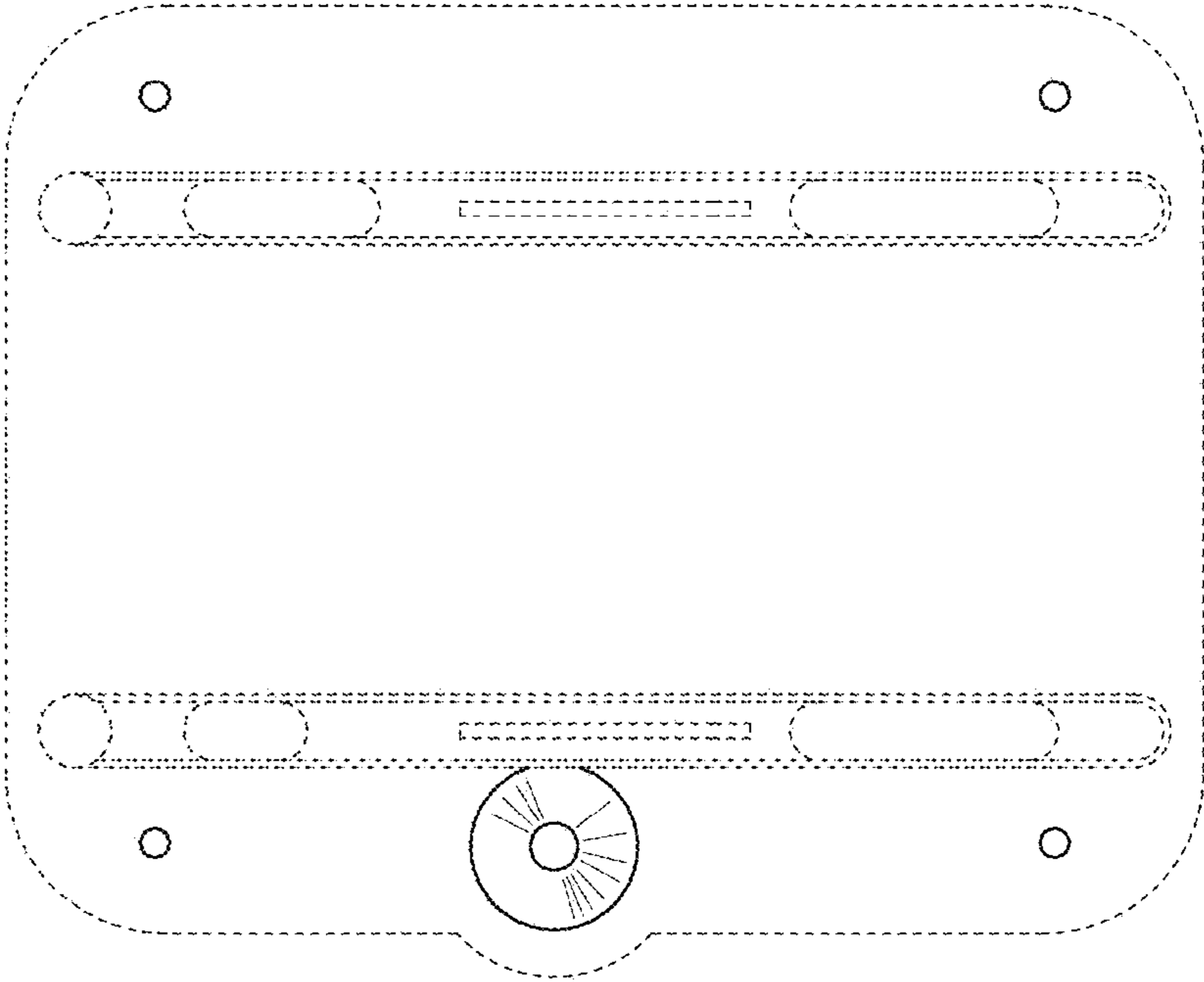


FIG. 4

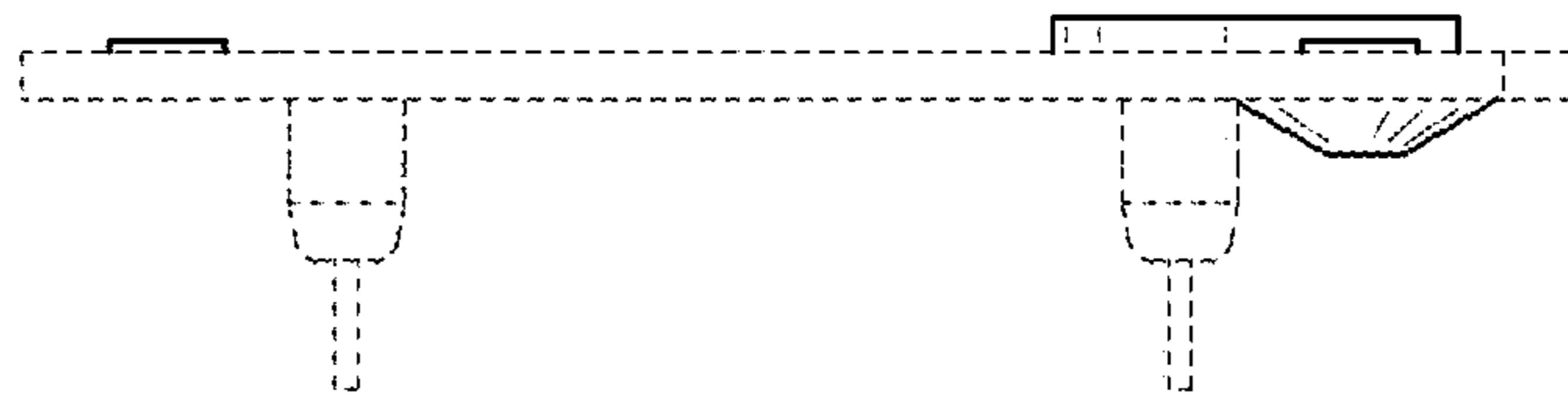


FIG. 5

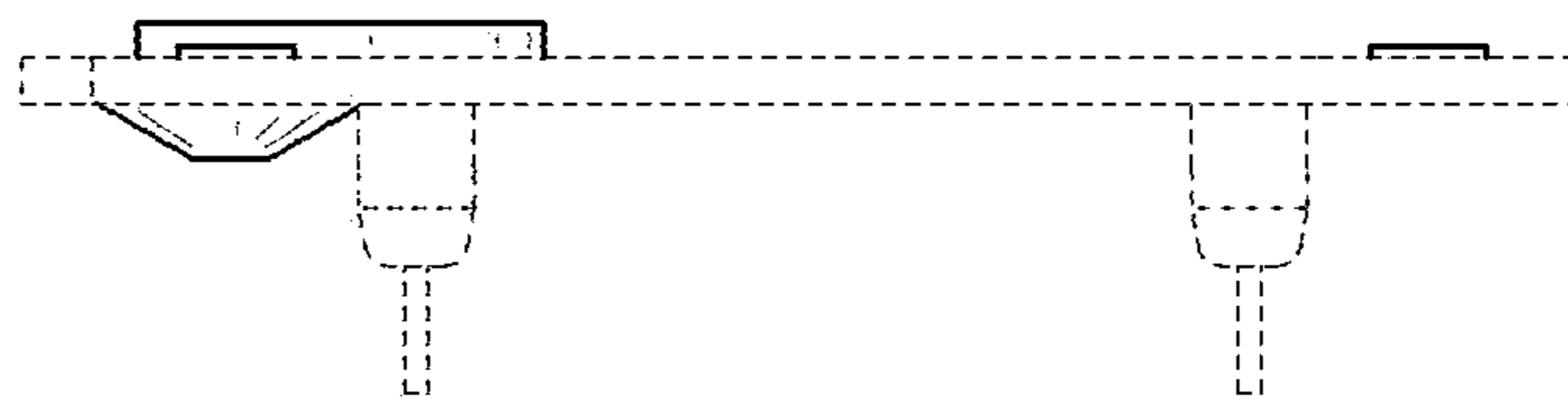


FIG. 6

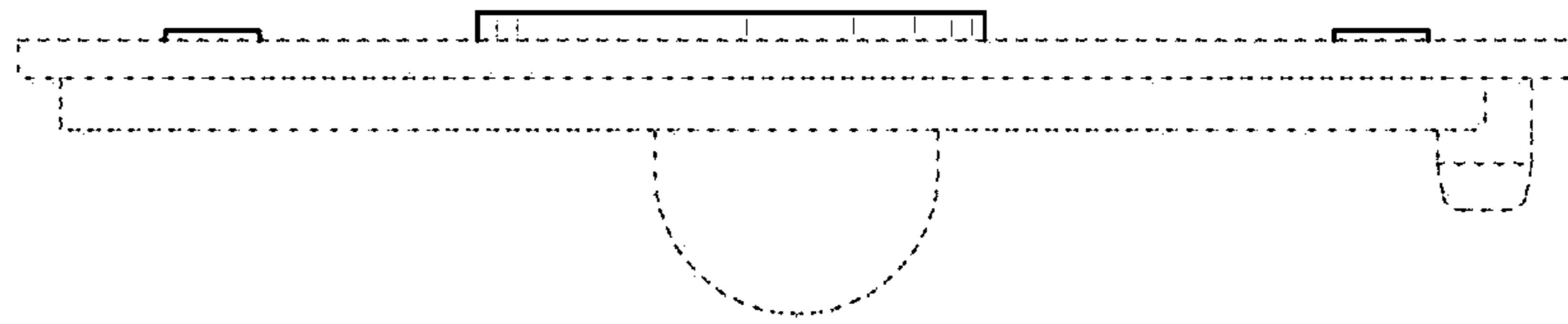


FIG. 7

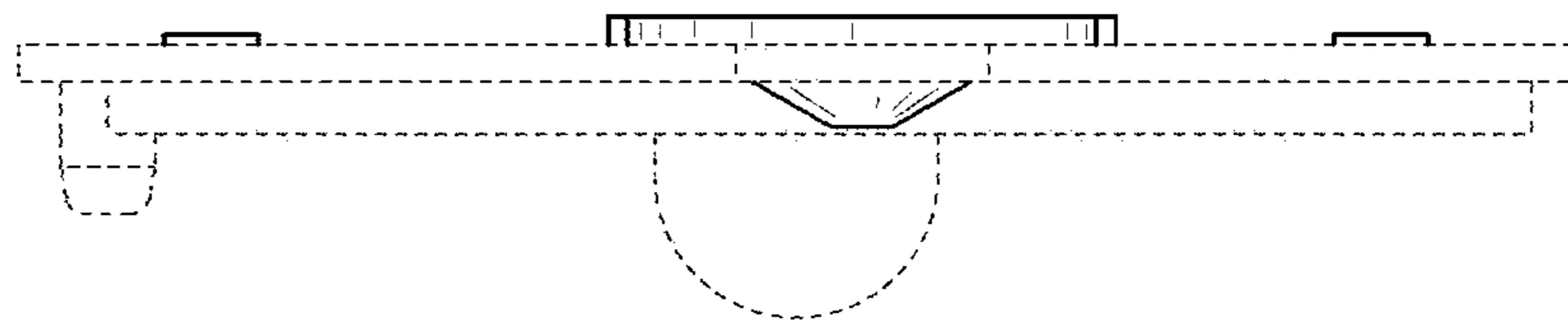


FIG. 8