



US00D769328S

(12) **United States Design Patent** (10) **Patent No.:** **US D769,328 S**  
**Ide et al.** (45) **Date of Patent:** **\*\* Oct. 18, 2016**

(54) **COVER FOR A CRANKCASE FILTER ASSEMBLY**

(71) Applicant: **RB Distribution, Inc.**, Colmar, PA (US)

(72) Inventors: **Stephen R. Ide**, Nazareth, PA (US); **Kunjan S. Khambhati**, King of Prussia, PA (US); **James Laverty**, Pennsburg, PA (US)

(73) Assignee: **RB Distribution, Inc.**, Colmar, PA (US)

(\*\*) Term: **15 Years**

(21) Appl. No.: **29/544,188**

(22) Filed: **Oct. 30, 2015**

(51) **LOC (10) Cl.** ..... **15-01**

(52) **U.S. Cl.**  
USPC ..... **D15/5**

(58) **Field of Classification Search**  
USPC ..... D15/1-6; D23/365, 209, 363, 358, 386, D23/354, 341, 364; 55/332  
CPC ..... F01M 13/00; F01M 2013/0038  
See application file for complete search history.

(56) **References Cited**

**U.S. PATENT DOCUMENTS**

4,995,891	A *	2/1991	Jaynes	.....	F01M 13/0033 123/198 E
5,937,816	A *	8/1999	Wincewicz	.....	F02M 19/00 123/195 A
6,247,463	B1 *	6/2001	Fedorowicz	.....	F01M 13/0416 123/572
6,478,018	B2 *	11/2002	Fedorowicz	.....	F01M 13/0416 123/572
6,478,019	B2 *	11/2002	Fedorowicz	.....	F01M 13/0416 123/572
D596,650	S *	7/2009	McClave	.....	D15/5
7,776,139	B2 *	8/2010	Schwandt	.....	B01D 19/0031 55/319
7,828,869	B1 *	11/2010	Parikh	.....	B01D 46/0002 55/482

2002/0066424	A1 *	6/2002	Fedorowicz	.....	F01M 13/0416 123/41.86
2002/0117158	A1 *	8/2002	Burgess	.....	F01M 13/04 123/572
2004/0011318	A1 *	1/2004	Bonde	.....	F02B 63/02 123/195 R
2009/0126324	A1 *	5/2009	Smith	.....	B01D 46/0002 55/385.3
2009/0193972	A1 *	8/2009	Schwandt	.....	B01D 19/0031 95/247
2012/0297980	A1 *	11/2012	Slaughter	.....	B01D 45/08 95/272
2013/0312720	A1 *	11/2013	Aquino	.....	F02M 25/06 123/573
2014/0109885	A1 *	4/2014	Kalayci	.....	F01M 13/0011 123/572

**OTHER PUBLICATIONS**

KLM Performance—6.7L Cummins Replacement Crank Case Vent Filter CV52001; (<http://www.klmpformance.com/>; retrieved Oct. 30, 2015.

\* cited by examiner

*Primary Examiner* — David Muller

*Assistant Examiner* — Ania Aman

(74) *Attorney, Agent, or Firm* — Volpe and Koenig, P.C.

(57) **CLAIM**

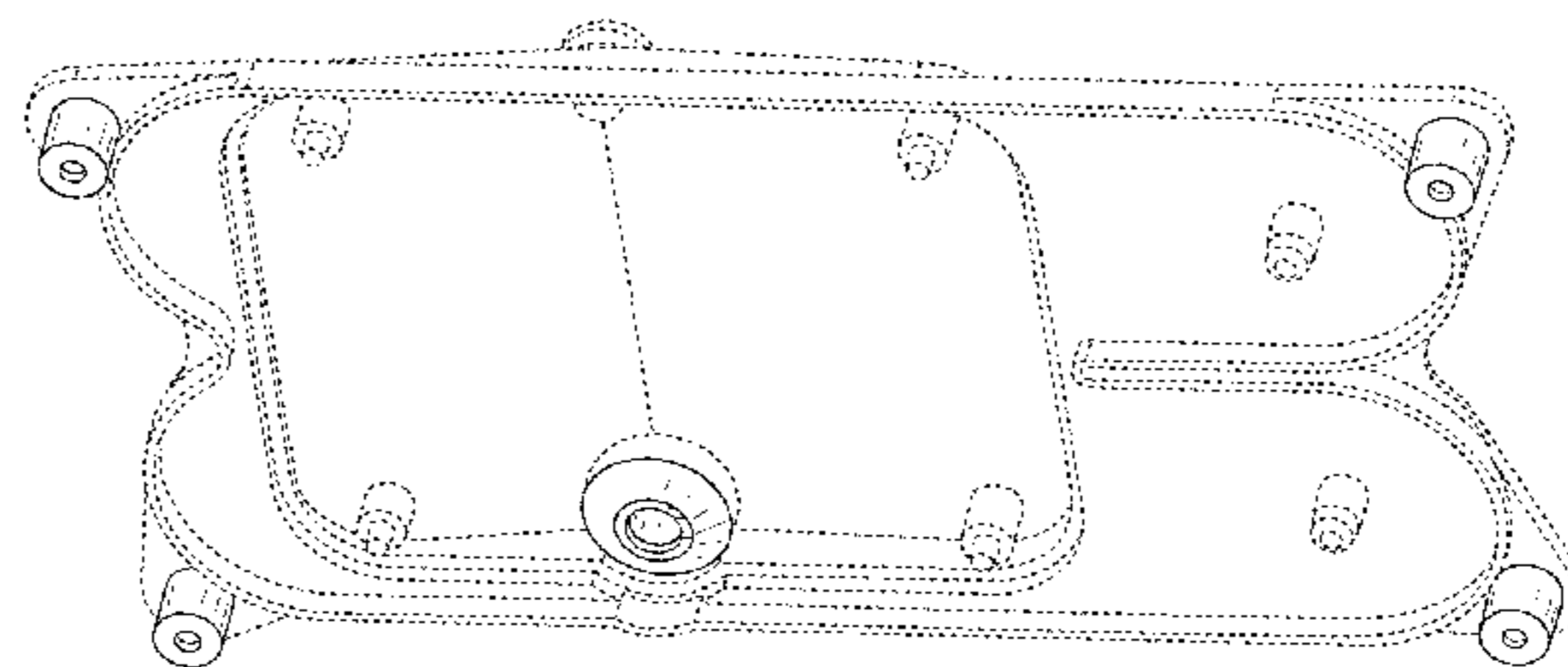
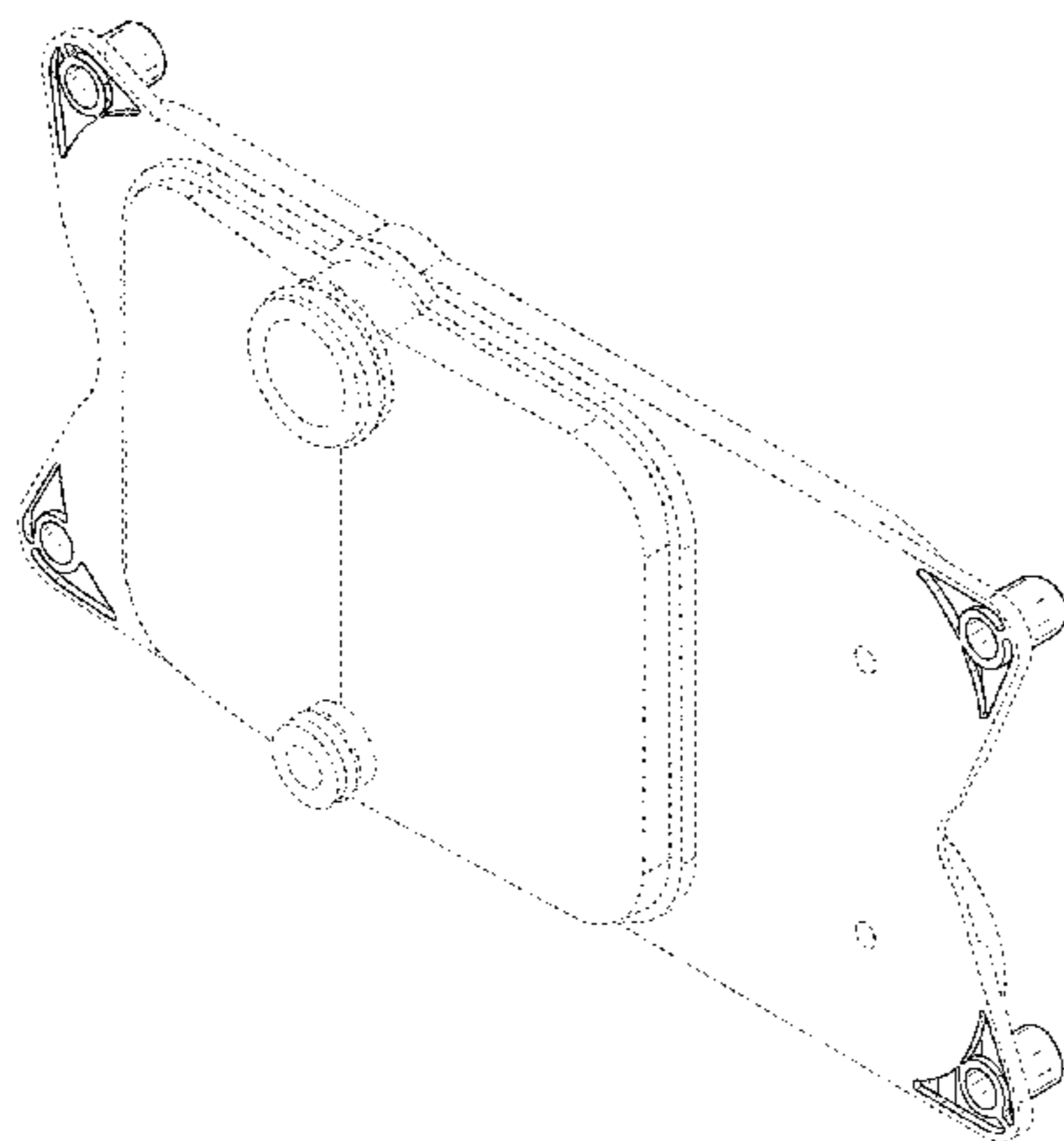
The ornamental design for a cover for a crankcase filter assembly, as shown and described.

**DESCRIPTION**

FIG. 1 is a perspective view of a crankcase filter assembly with our cover for a crankcase filter assembly;  
FIG. 2 is a top perspective view of our cover for a crankcase filter assembly;  
FIG. 3 is a bottom perspective view of the cover of FIG. 2;  
FIG. 4 is a top plan view of the cover of FIG. 2;  
FIG. 5 is a bottom plan view of the cover of FIG. 2;  
FIG. 6 is a right elevation of the cover of FIG. 2;  
FIG. 7 is a left side elevation of the cover of FIG. 2;  
FIG. 8 is a rear elevation of the cover of FIG. 2; and,  
FIG. 9 is a front elevation of the cover of FIG. 2.

The broken line showing of portions is included for the purpose of illustrating environment and forms no part of the claimed design for a cover for a crankcase filter assembly.

**1 Claim, 9 Drawing Sheets**



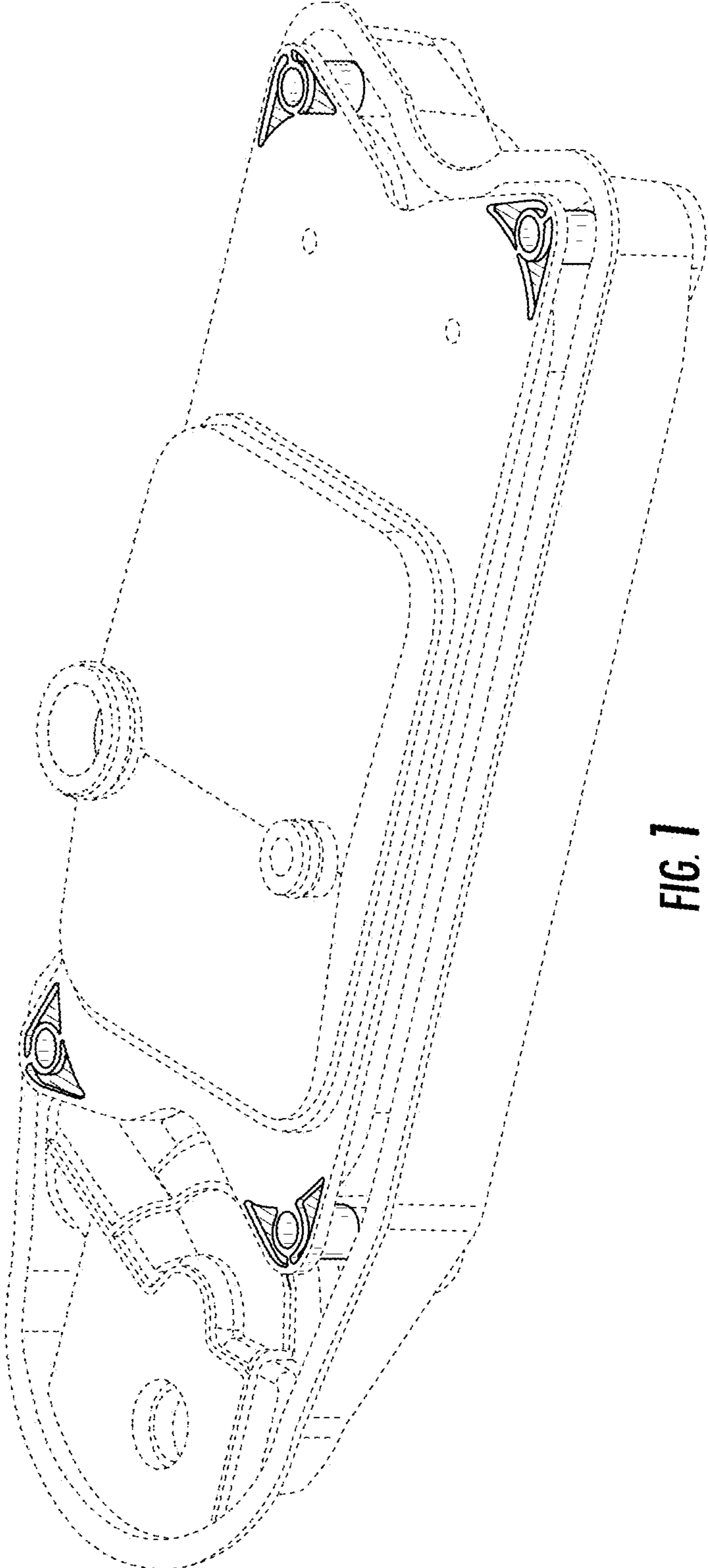


FIG. 7

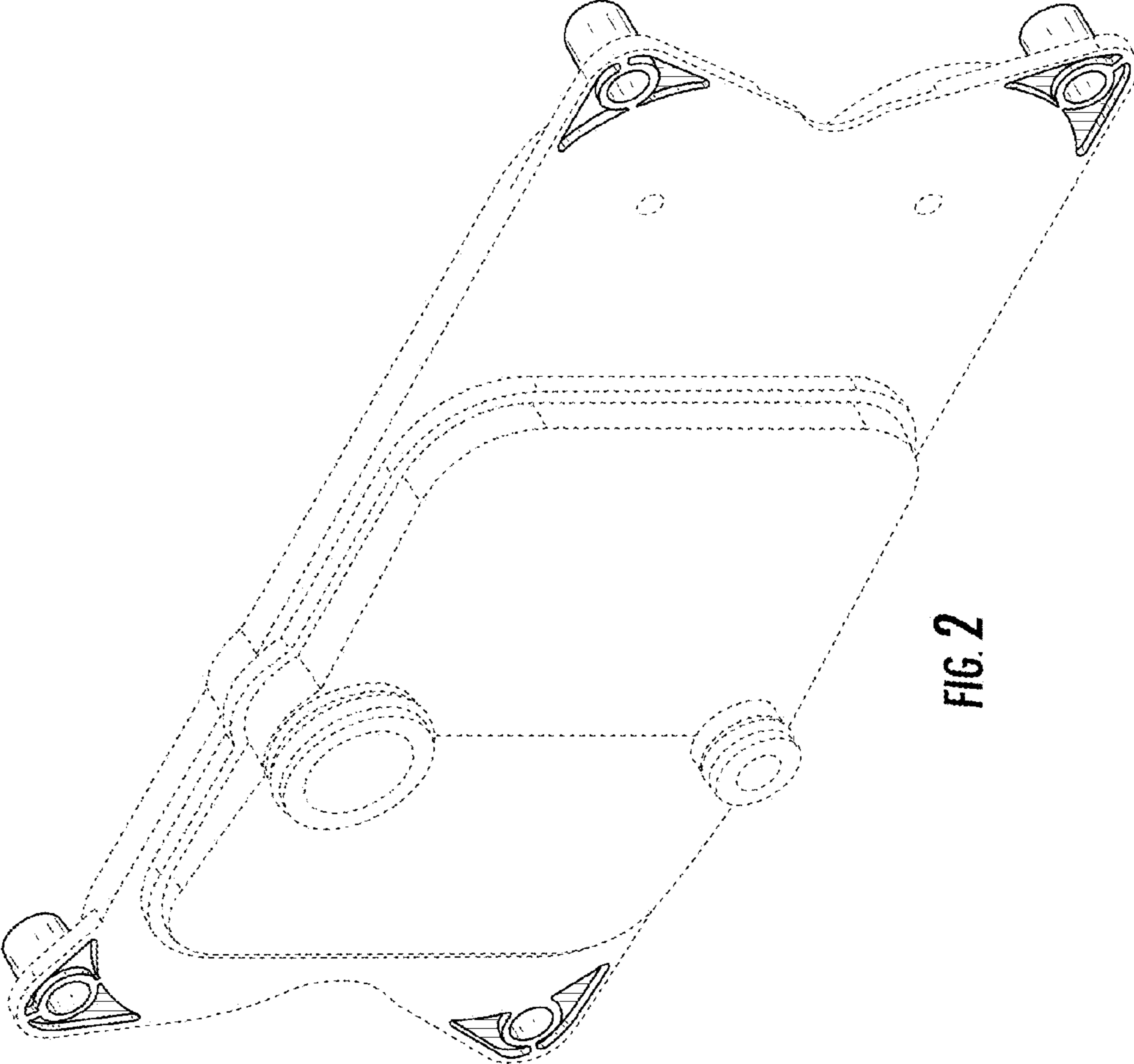


FIG. 2

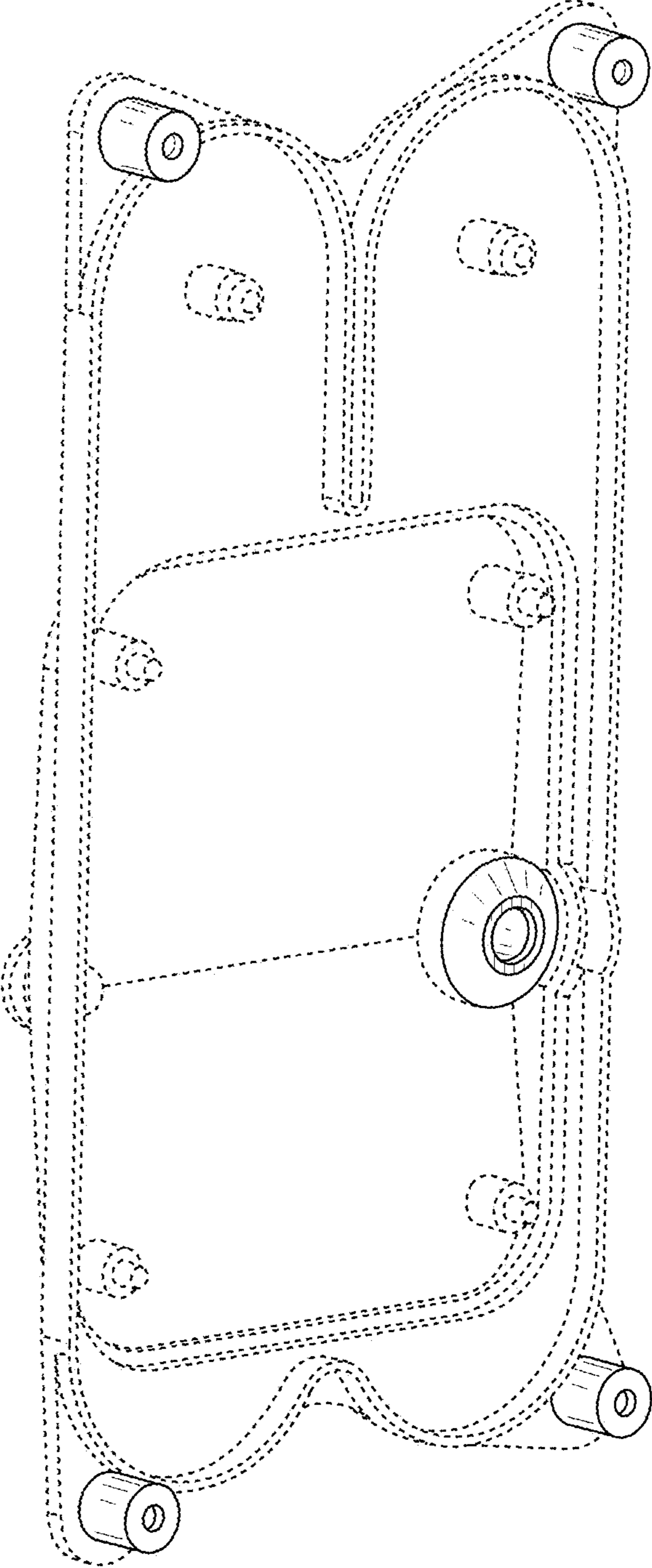


FIG. 3

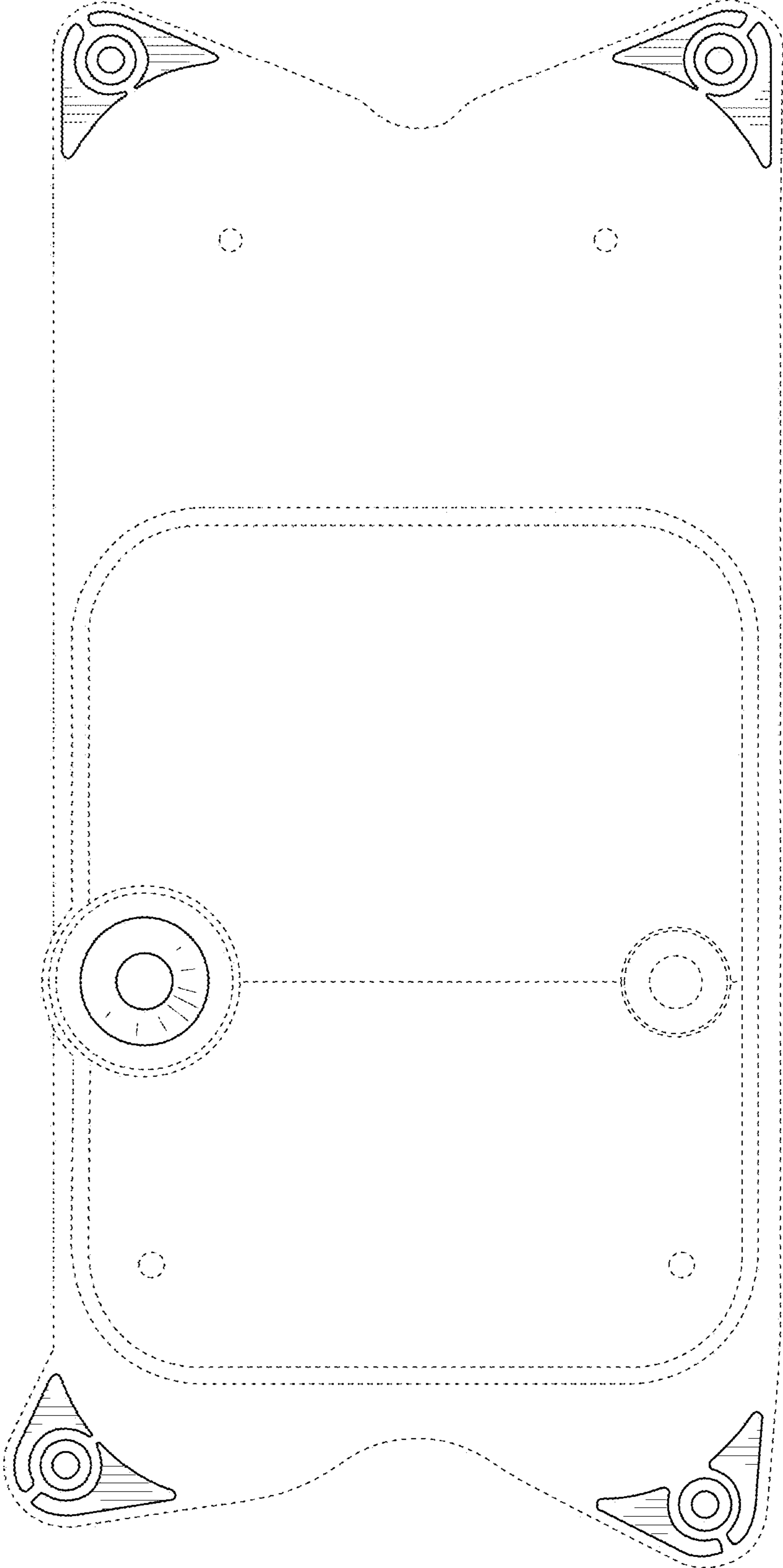


FIG. 4

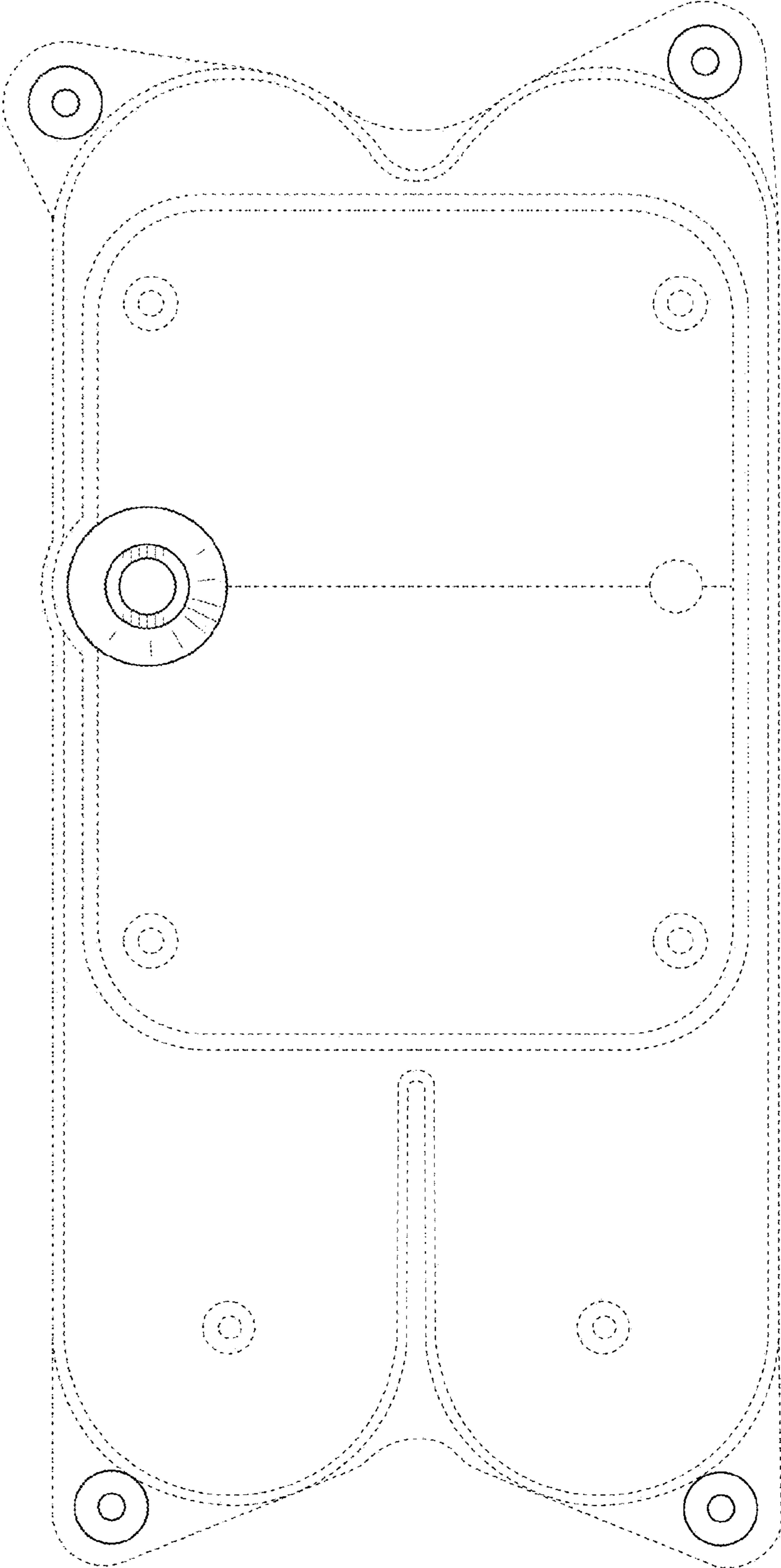
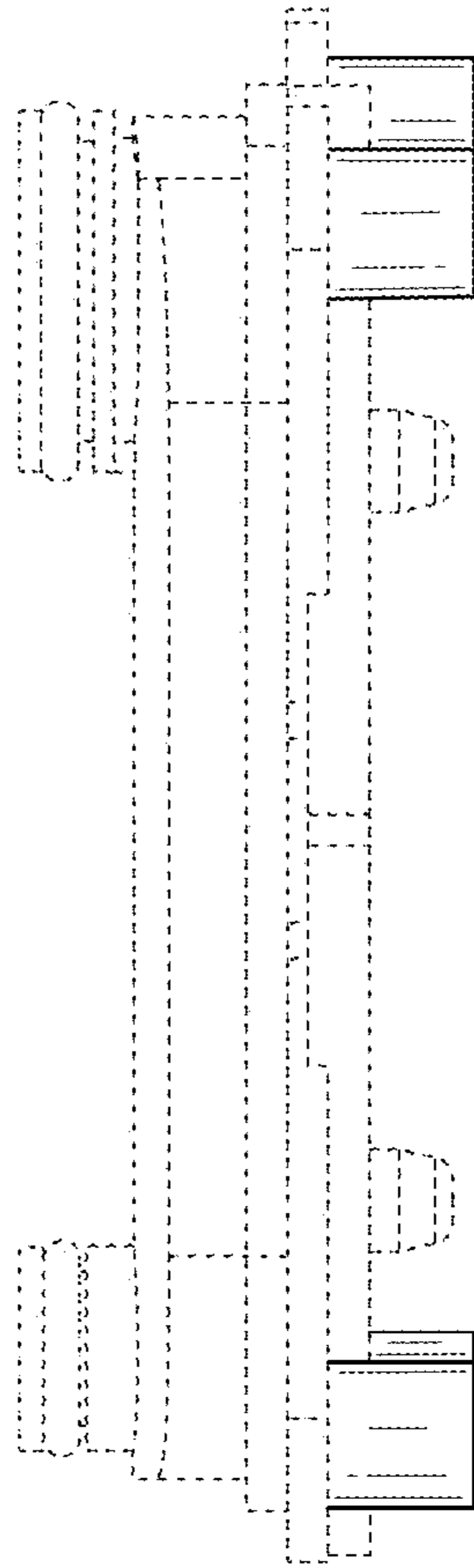
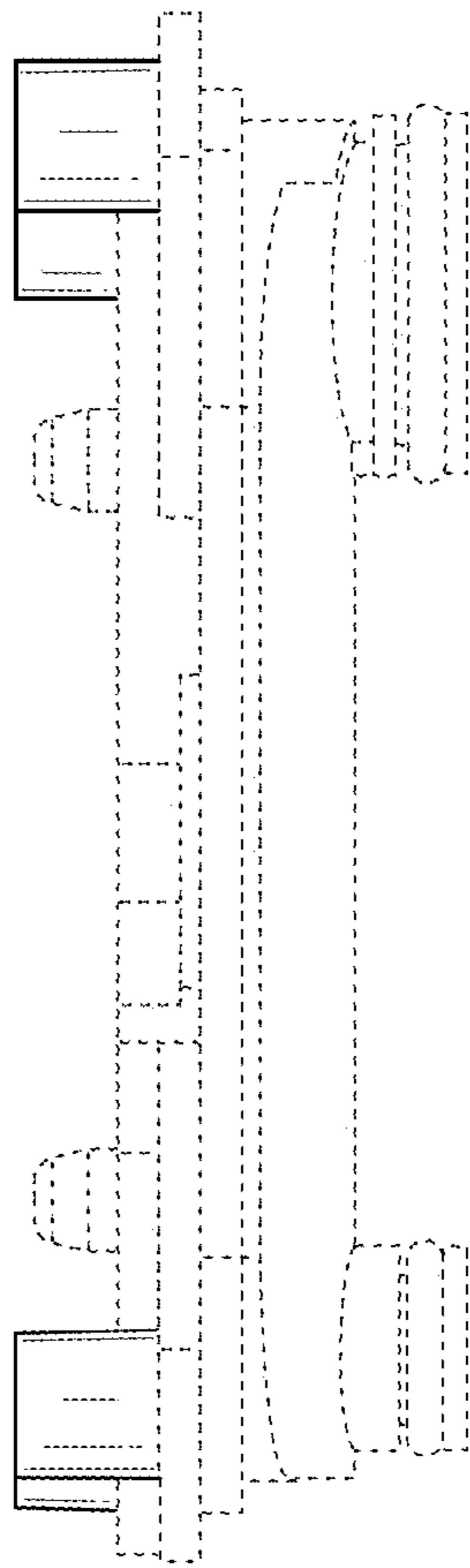


FIG. 5

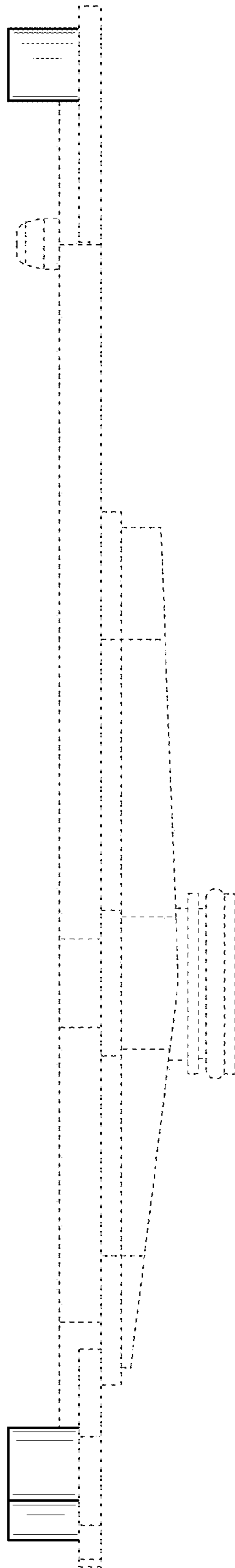


**FIG. 6**



**FIG. 7**





**FIG. 8**

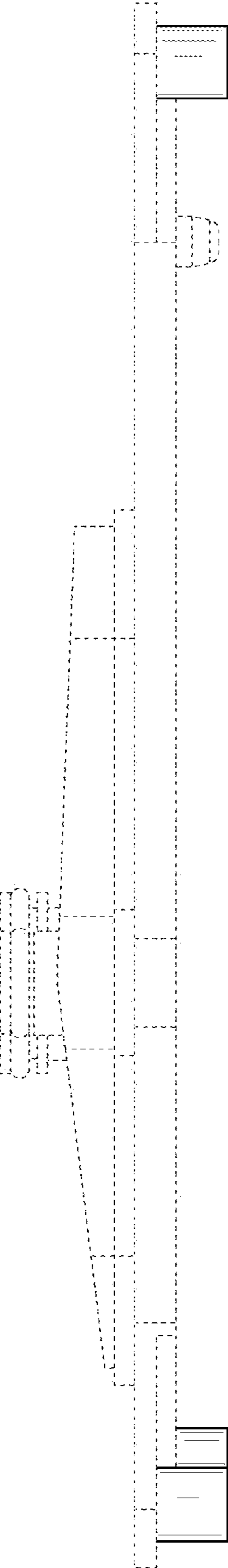


FIG. 9