



US00D769326S

(12) **United States Design Patent**
Boot et al.

(10) **Patent No.:** **US D769,326 S**
(45) **Date of Patent:** **** Oct. 18, 2016**

(54) **DISPLAY SCREEN OR PORTION THEREOF WITH ANIMATED GRAPHICAL USER INTERFACE**

(71) Applicant: **Sanford, L.P.**, Downers Grove, IL (US)

(72) Inventors: **Bram Boot**, Borgerhout (BE); **Robby Carlier**, Bredene (BE)

(73) Assignee: **Sanford, L.P.**, Downers Grove, IL (US)

(**) Term: **14 Years**

(21) Appl. No.: **29/477,307**

(22) Filed: **Dec. 20, 2013**

(51) **LOC (10) Cl.** **14-04**

(52) **U.S. Cl.**
USPC **D14/494**

(58) **Field of Classification Search**
USPC D14/485-495
CPC G06F 3/048; G06F 3/04842; G06F 3/04847; G06F 3/0481; G06F 17/211; G06F 17/212
See application file for complete search history.

(56) **References Cited**

U.S. PATENT DOCUMENTS

D392,267 S *	3/1998	Mason	D14/491
D392,268 S *	3/1998	Mason	D14/491
D435,561 S *	12/2000	Pettigrew	D14/487
D450,059 S *	11/2001	Itou	D14/489
D470,858 S *	2/2003	Flamini	D14/488
D491,955 S *	6/2004	Ording	D14/487
D557,272 S *	12/2007	Glaser	D14/487
D558,219 S *	12/2007	Glaser	D14/487
D586,359 S *	2/2009	Makoski	D14/486
D594,019 S *	6/2009	Ball	D14/486
D604,317 S *	11/2009	Hoefnagels	D14/488
D604,318 S *	11/2009	Hoefnagels	D14/488
D628,582 S *	12/2010	Kurozumi	D14/486
D677,681 S *	3/2013	Kaufthal	D14/485

(Continued)

FOREIGN PATENT DOCUMENTS

CN	103543968	1/2014
EP	2 676 798 A1	12/2013
JP	2014004833	1/2014

OTHER PUBLICATIONS

Icons on packaging of Rhino 6000, available as early as Dec. 20, 2013.

(Continued)

Primary Examiner — Darlington Ly

Assistant Examiner — Daniel J Domino

(74) *Attorney, Agent, or Firm* — Saidman DesignLaw Group, LLC

(57) **CLAIM**

The ornamental design for a display screen or portion thereof with animated graphical user interface, as shown and described.

DESCRIPTION

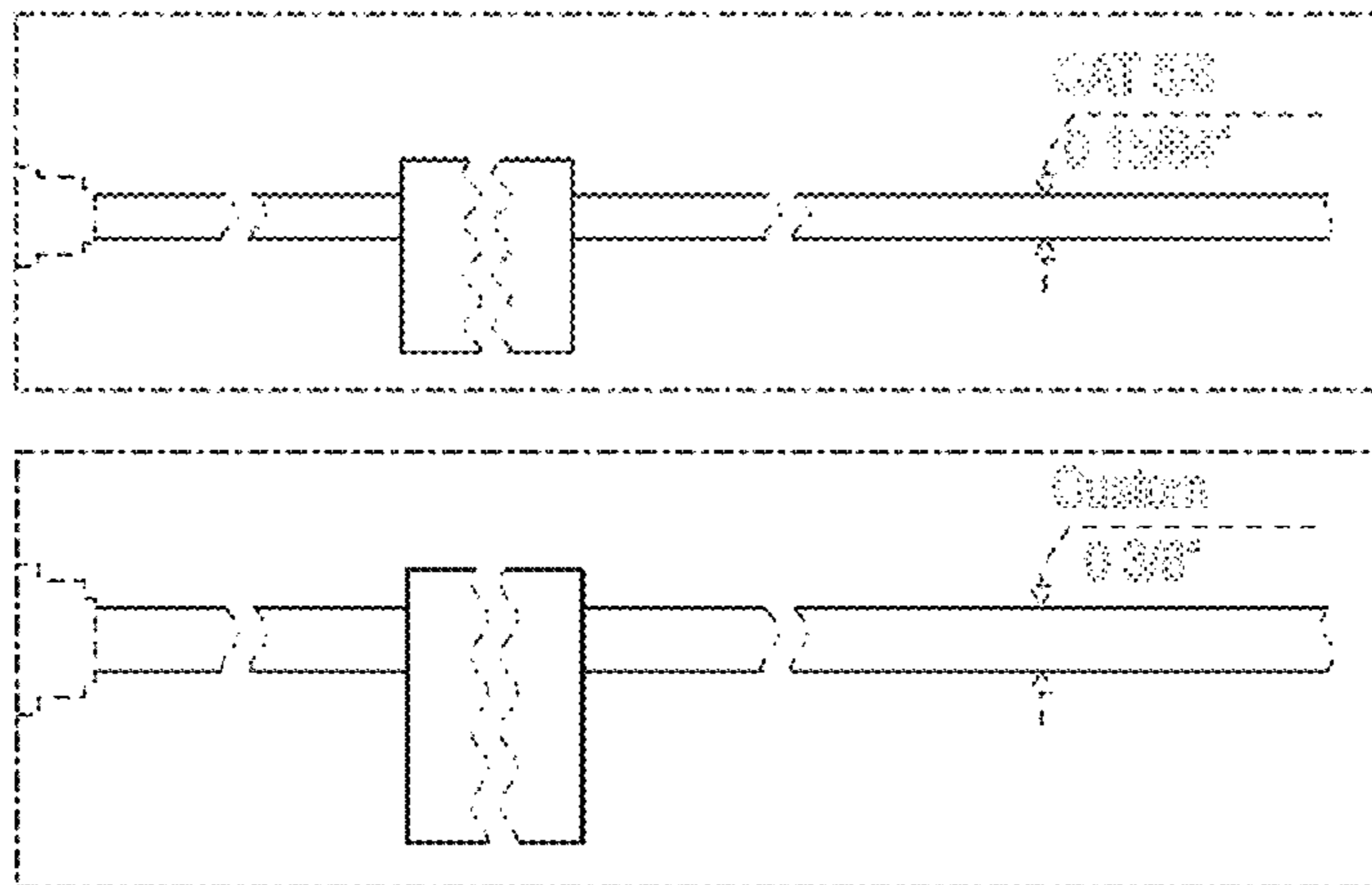
FIG. 1 is the first image of a display screen or portion thereof with animated graphical user interface; FIG. 2 is a second image thereof; FIG. 3 is a third image thereof; and, FIG. 4 is a fourth image thereof.

The peripheral dot-dash broken lines illustrate a display screen or portion thereof which forms no part of the claimed design. The dashed broken lines within the peripheral dot-dash broken lines represent portions of the graphical user interface which form no part of the claimed design.

The appearance of the animated graphical user interface sequentially transitions between the images shown in FIGS. 1-4. The process or period in which one image transitions to another forms no part of the claimed design.

The dot-dot-dash lines of the graphical user interface represent a symbolic break in horizontal dimension. The appearance of any portion of the graphical user interface between the break lines forms no part of the claimed design.

1 Claim, 2 Drawing Sheets



(56)

References Cited

U.S. PATENT DOCUMENTS

8,572,513 B2 * 10/2013 Chaudhri G06F 3/0481
715/772
8,624,933 B2 * 1/2014 Marr G06F 3/0485
345/173
D705,251 S * 5/2014 Pearson D14/488
D712,920 S * 9/2014 Sloo D14/487
D730,381 S * 5/2015 Zhong D14/487
2005/0091604 A1 * 4/2005 Davis G06F 3/0482
715/772
2006/0184901 A1 * 8/2006 Dietz G06F 3/04855
715/855
2012/0151344 A1 * 6/2012 Humphrey G09B 5/065
715/716
2012/0317512 A1 * 12/2012 Candrian G06Q 30/0621
715/815
2013/0318442 A1 * 11/2013 Lawson G06F 3/167
715/716
2013/0332843 A1 * 12/2013 Boettcher G06F 3/0481
715/744
2013/0342623 A1 12/2013 Boot et al.
2013/0342856 A1 12/2013 Boot et al.
2014/0237419 A1 * 8/2014 Ryu G06F 3/04855
715/787
2014/0258921 A1 * 9/2014 Peloquin G06F 17/24
715/786
2014/0351747 A1 * 11/2014 Kayoiji G06F 3/0485
715/784
2014/0365886 A1 * 12/2014 Koenig G06F 3/04855
715/711

OTHER PUBLICATIONS

Dymo label software <<http://www.dymo-label-printers.co.uk/news/wp-content/uploads/2011/09/dymo-labelwriter-software-built-in-templates.png>> available as early as Dec. 20, 2013.
Dymo label software <http://www.labelwriter.com/images/how_to/LabelDesigner1.jpg> available as early as Dec. 20, 2013.
Dymo label software <http://img.informer.com/screenshots/3641/3641807_1.png> available as early as Dec. 20, 2013.
U.S. Appl. No. 61/787,623 of Ron Jacobs for “User Interface for Label Printer”, filed Mar. 15, 2013.
Design U.S. Appl. No. 29/477,352 of Bram Boot for “Display Screen or Portion Thereof With Icons”, filed Dec. 20, 2013.
Design U.S. Appl. No. 29/477,304 of Bram Boot for “Display Screen or Portion Thereof With Graphical User Interface”, filed Dec. 20, 2013.
Design U.S. Appl. No. 29/477,346 of Bram Boot for “Display Screen or Portion Thereof With Icon”, filed Dec. 20, 2013.
Design U.S. Appl. No. 29/477,348 of Bram Boot for “Display Screen or Portion Thereof With Icon”, filed Dec. 20, 2013.
Design U.S. Appl. No. 29/477,349 of Bram Boot for “Display Screen or Portion Thereof With Icon”, filed Dec. 20, 2013.
Design U.S. Appl. No. 29/477,360 of Bram Boot for “Display Screen or Portion Thereof With Icon”, filed Dec. 20, 2013.
Design U.S. Appl. No. 29/477,354 of Bram Boot for “Display Screen or Portion Thereof With Graphical User Interface”, filed Dec. 20, 2013.
Design U.S. Appl. No. 29/477,347 of Bram Boot for “Display Screen or Portion Thereof With Animated Graphical User Interface”, filed Dec. 20, 2013.

* cited by examiner

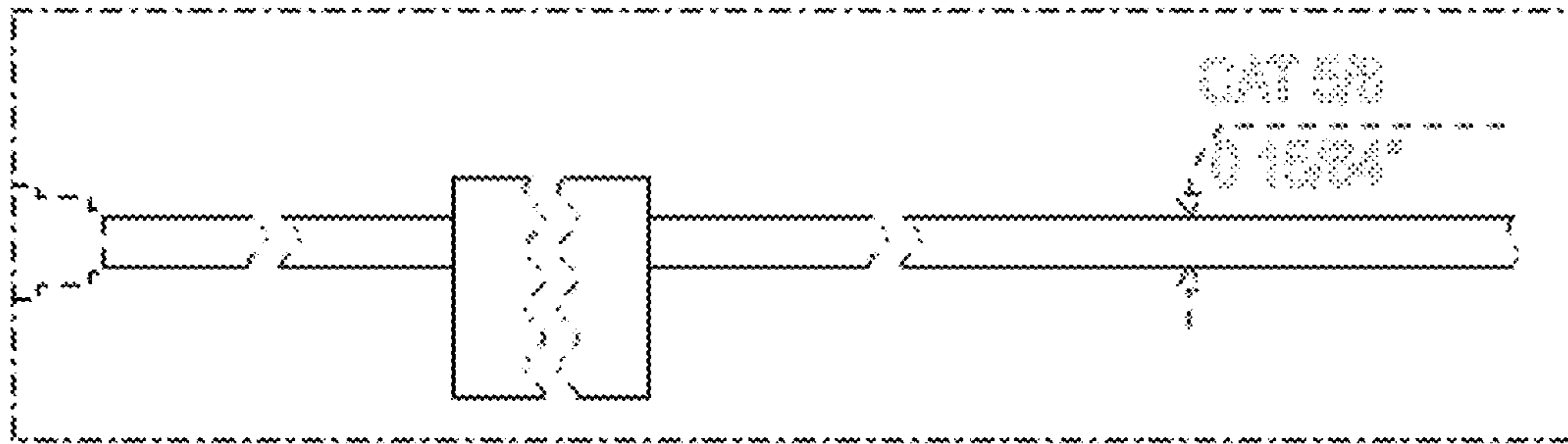


FIG. 1

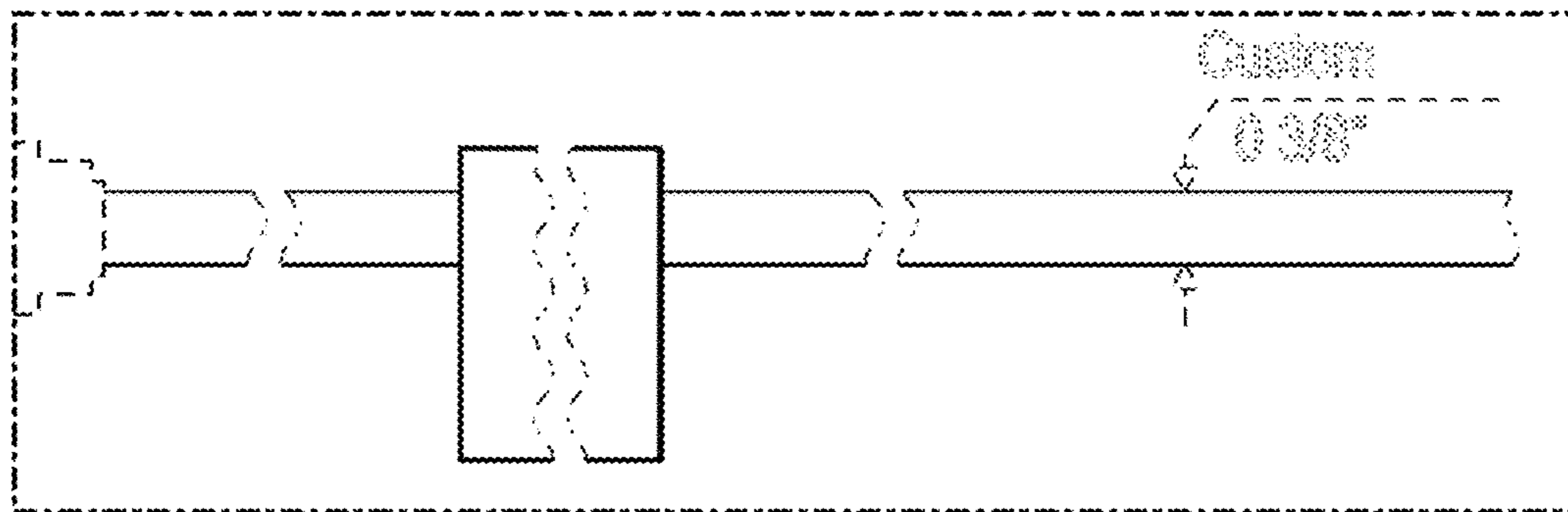


FIG. 2

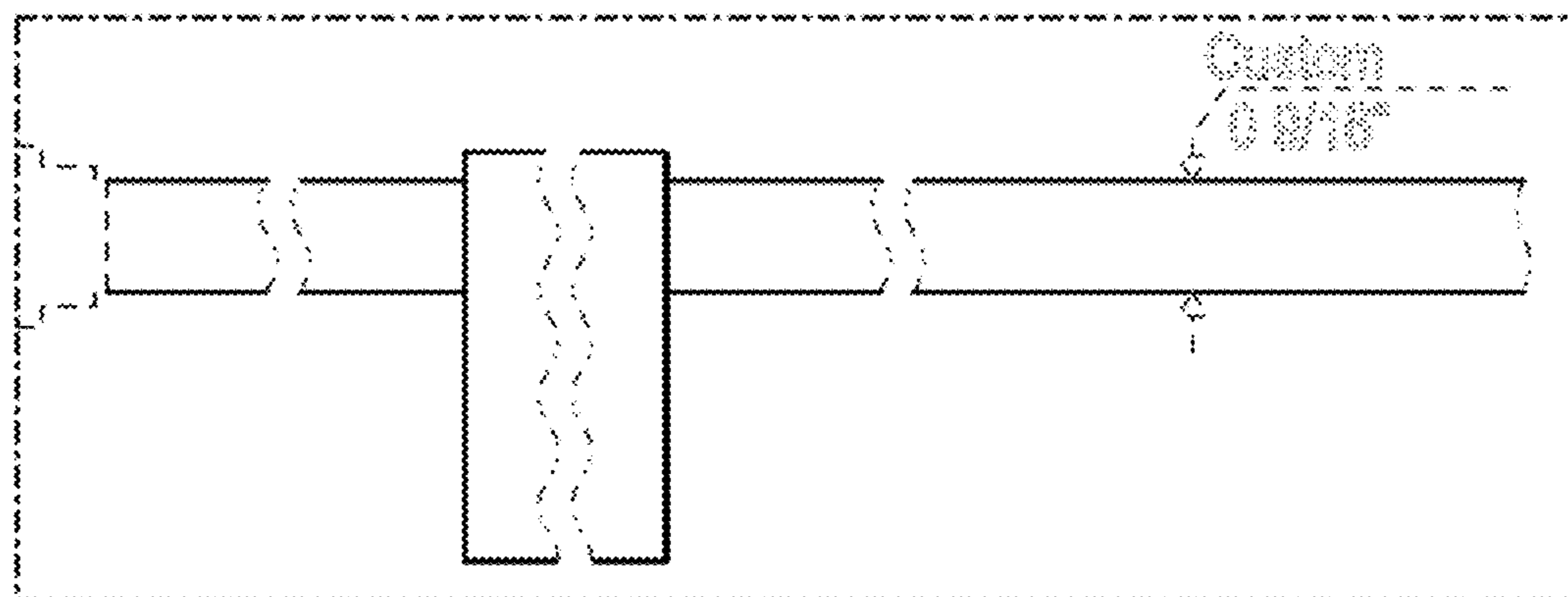


FIG. 3

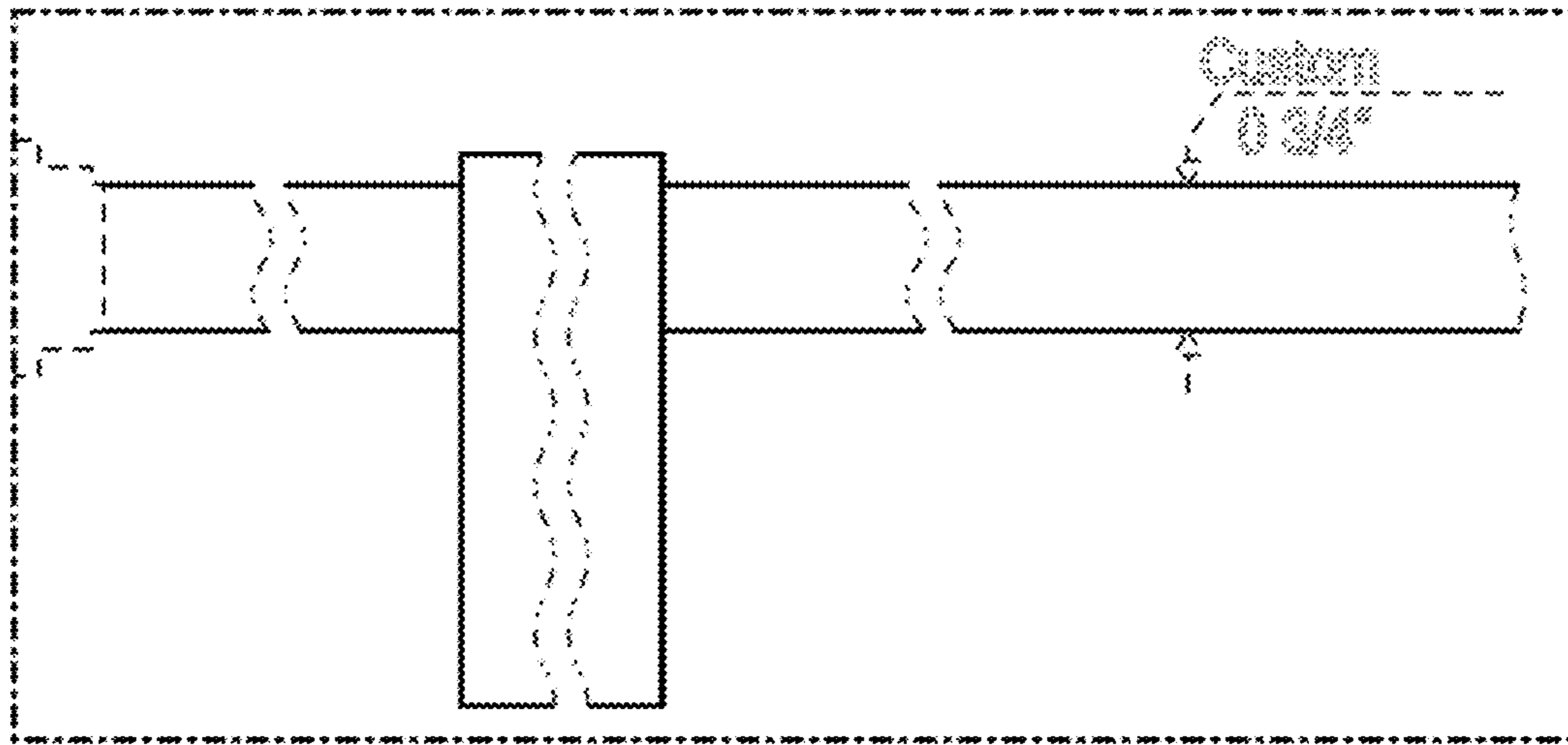


FIG. 4