



US00D769325S

(12) **United States Design Patent** (10) **Patent No.:** **US D769,325 S**  
**Casalegno et al.** (45) **Date of Patent:** **\*\* Oct. 18, 2016**

(54) **DISPLAY SCREEN WITH ICON**  
(71) Applicant: **Microsoft Mobile Oy**, Espoo (FI)  
(72) Inventors: **Guido Casalegno**, Järvenpää (FI); **Ari Liusaari**, Milan (IT)  
(73) Assignee: **Microsoft Mobile Oy**, Espoo (FI)  
(\*\*) Term: **14 Years**  
(21) Appl. No.: **29/481,689**  
(22) Filed: **Feb. 10, 2014**  
(51) **LOC (10) Cl.** ..... **14-04**  
(52) **U.S. Cl.**  
USPC ..... **D14/492**  
(58) **Field of Classification Search**  
USPC ..... D14/485-495  
CPC .. G06F 3/048; G06F 3/0481; G06F 3/04812;  
G06F 3/04815; G06F 3/04817; G06F 3/0482;  
G06F 3/0483; G06F 3/0484; G06F 3/04842;  
G06F 3/04845; G06F 3/04847; G06F 3/0485;  
G06F 3/04855; G06F 3/0486; G06F 3/0487;  
G06F 3/0488; G06F 3/04883; G06F 3/04886  
See application file for complete search history.

D667,457 S \* 9/2012 Wujcik ..... D14/492  
D676,870 S \* 2/2013 Steele ..... D14/492  
D677,275 S \* 3/2013 Wujcik ..... D14/487  
D686,241 S \* 7/2013 Steele ..... D14/489  
D688,703 S \* 8/2013 Phelan ..... D14/492  
D690,736 S \* 10/2013 Jang ..... D14/489  
D701,880 S \* 4/2014 Asai ..... D14/489  
D703,227 S \* 4/2014 Abratowski ..... D14/489  
D715,313 S \* 10/2014 Hontz, Jr. .... D14/485  
D719,189 S \* 12/2014 Brinda ..... D14/492  
D736,792 S \* 8/2015 Brinda ..... D14/485  
D737,288 S \* 8/2015 Oda ..... D14/485  
D739,421 S \* 9/2015 Brinda ..... D14/485  
D740,301 S \* 10/2015 Soegiono ..... D14/485

\* cited by examiner

*Primary Examiner* — Melanie H Tung  
*Assistant Examiner* — Bao-Yen Nguyen  
(74) *Attorney, Agent, or Firm* — Banner & Witcoff, Ltd.

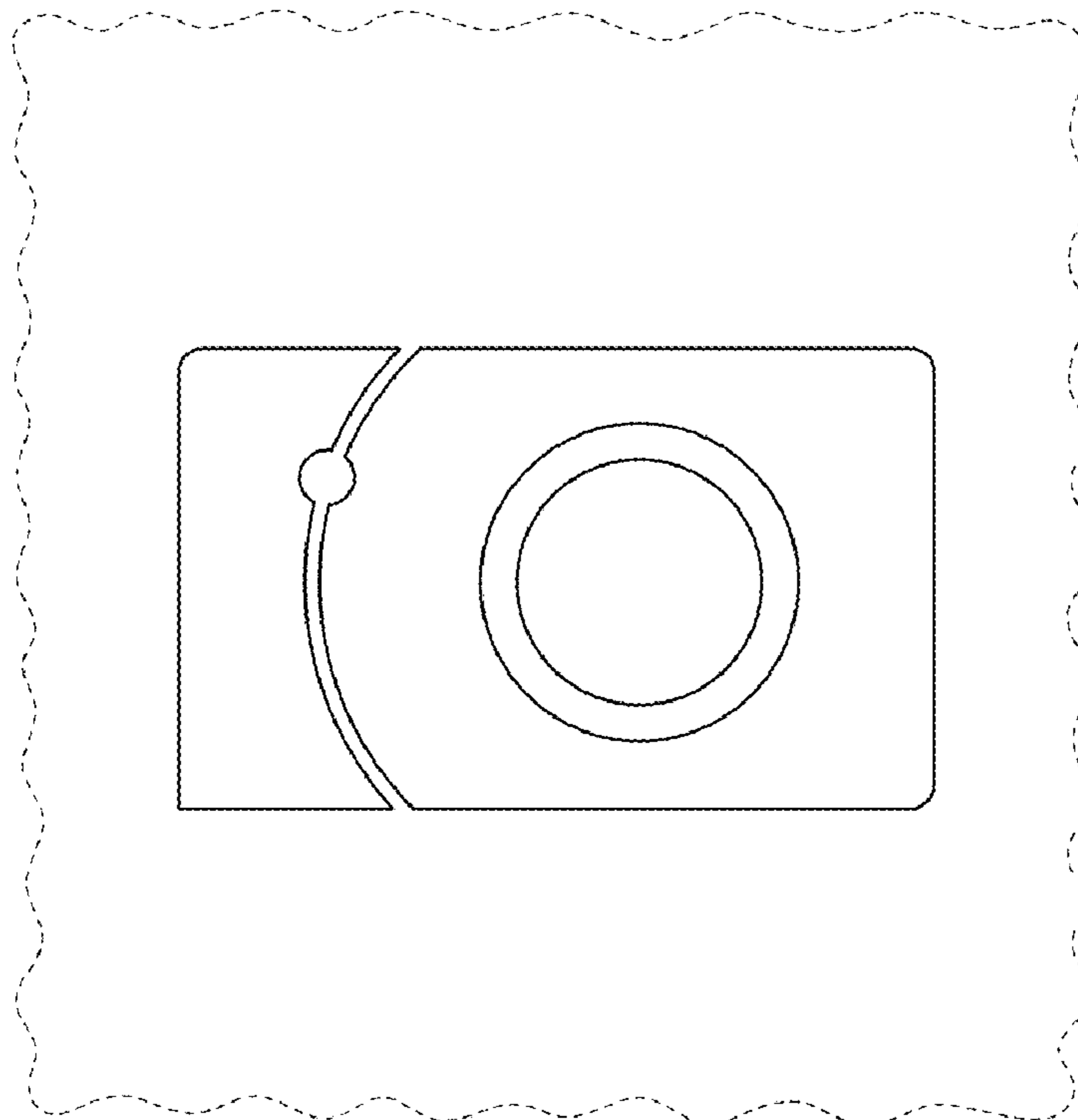
(57) **CLAIM**  
The ornamental design for a display screen with icon, as shown and described.

**DESCRIPTION**

FIG. 1 is a front view of a display screen with icon showing the new design; and,  
FIG. 2 is a front view of a display screen with icon showing an alternative embodiment of the design of FIG. 1.  
The broken line showing the display screen forms no part of the claimed design.

**1 Claim, 2 Drawing Sheets**

(56) **References Cited**  
U.S. PATENT DOCUMENTS  
D451,520 S \* 12/2001 Fukuda ..... D14/485  
D593,120 S \* 5/2009 Bouchard ..... D14/489



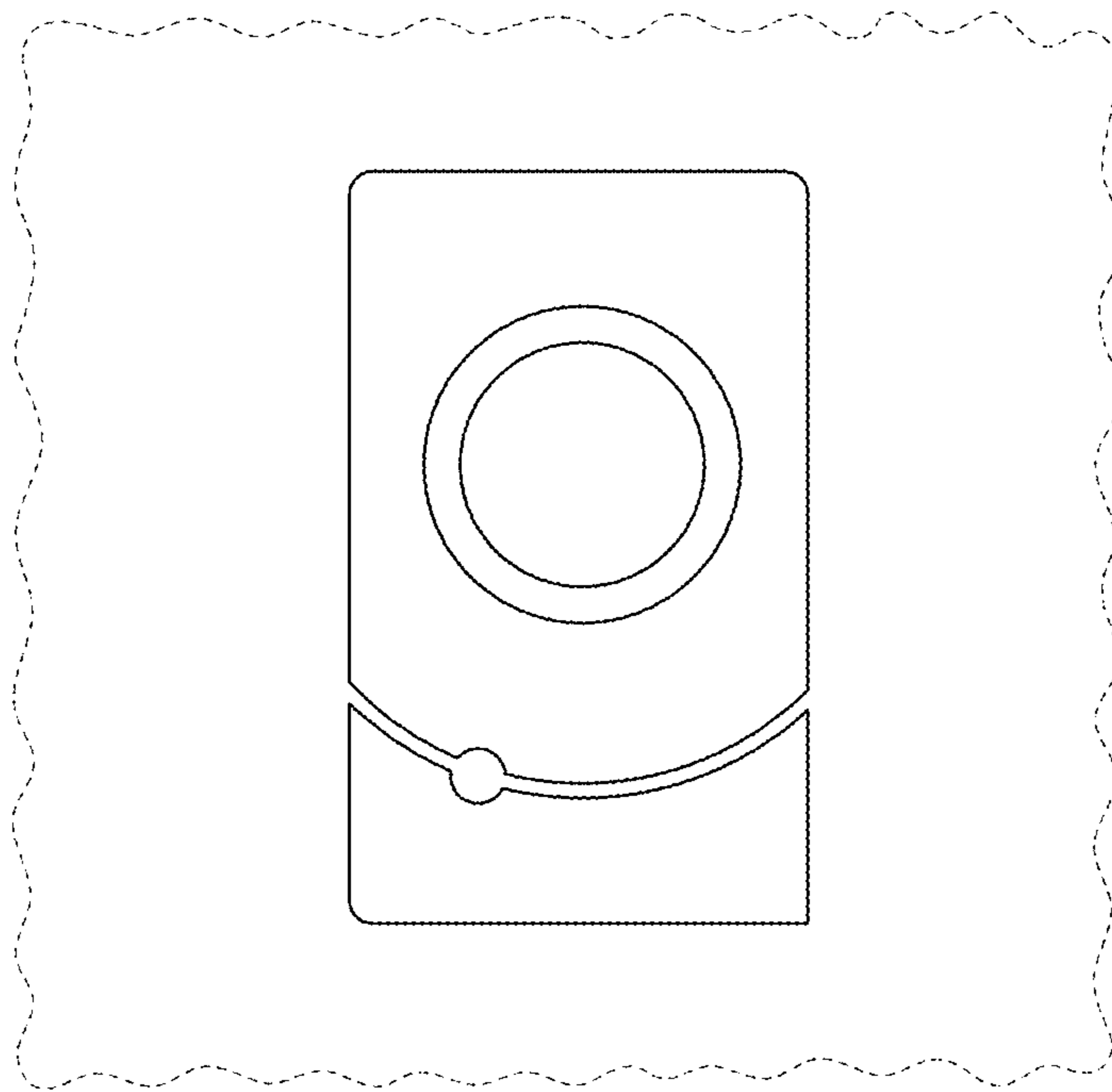


FIG. 1

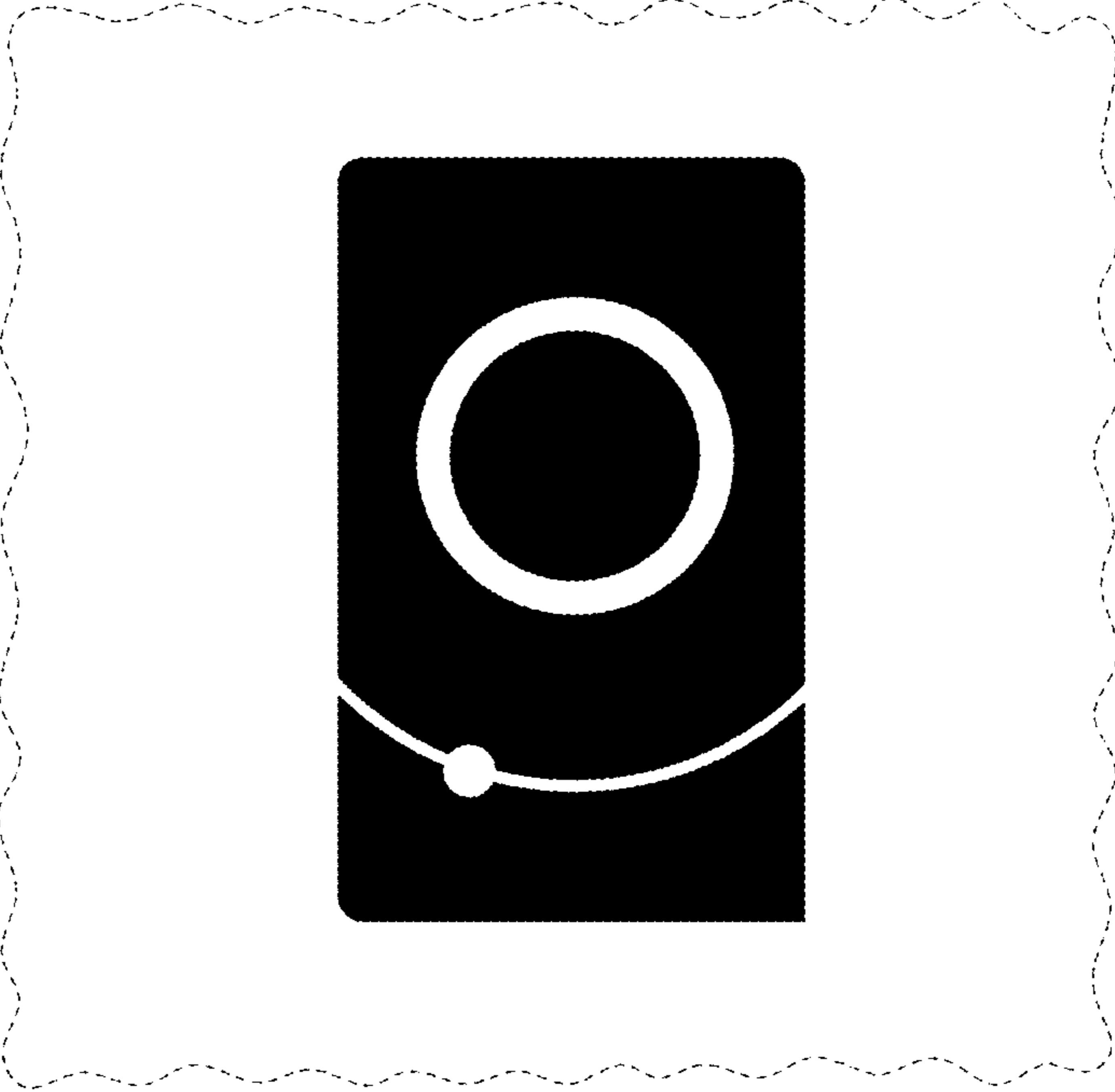


FIG. 2