



US00D769260S

(12) **United States Design Patent** (10) **Patent No.:** **US D769,260 S**
Kim et al. (45) **Date of Patent:** **** Oct. 18, 2016**

(54) **DISPLAY SCREEN OR PORTION THEREOF WITH ANIMATED GRAPHICAL USER INTERFACE**

FOREIGN PATENT DOCUMENTS

EM 001144992-0069 7/2009
EM 002201483-0023 4/2013

(71) Applicant: **Samsung Electronics Co., Ltd.**,
Suwon-si (KR)

OTHER PUBLICATIONS

(72) Inventors: **Eun-Bi Kim**, Seoul (KR); **Su-Hyun Na**, Seoul (KR); **Suk-Young Woo**, Seoul (KR); **Jong-Kee Lee**, Seoul (KR); **Hee-Young Chung**, Busan (KR); **Kyong-Mo Koo**, Seoul (KR)

Filling a glass [online]. dribbble, Dec. 11, 2014 [retrieved on May 6, 2016]. Retrieved from the Internet:< <https://dribbble.com/shots/1843607-Filling-a-glass> >.*

(Continued)

(73) Assignee: **Samsung Electronics Co., Ltd.**,
Suwon-si (KR)

Primary Examiner — Eric Goodman

Assistant Examiner — Sloan Rozin

(74) *Attorney, Agent, or Firm* — NSIP Law

(**) Term: **15 Years**

(57) **CLAIM**

We claim the ornamental design for a display screen or portion thereof with animated graphical user interface, as shown and described.

(21) Appl. No.: **29/534,002**

DESCRIPTION

(22) Filed: **Jul. 24, 2015**

(30) **Foreign Application Priority Data**

Feb. 6, 2015 (KR) 30-2015-0006585

(51) **LOC (10) Cl.** **14-04**

(52) **U.S. Cl.**
USPC **D14/485**

(58) **Field of Classification Search**
CPC G06T 13/80; G06T 15/02; G06Q 10/063114; H04N 1/00477; G11B 27/34
See application file for complete search history.

FIG. 1 is the first image in a sequence for a display screen or portion thereof with animated graphical user interface showing our new design;

FIG. 2 is the second image thereof;

FIG. 3 is the third image thereof; and,

FIG. 4 is the fourth image thereof.

The broken lines in the figures show portions of the display screen or portion thereof with animated graphical user interface which form no part of the claimed design.

The broken line showing of the display screen is for environmental purposes only and forms no part of the claimed design.

The dot dash lines in the figures represent an unclaimed boundary line and form no part of the claimed design.

The appearance of the animated user interface sequentially transitions between the images shown in FIGS. 1-4. The process or period in which one image transitions to another forms no part of the claimed design.

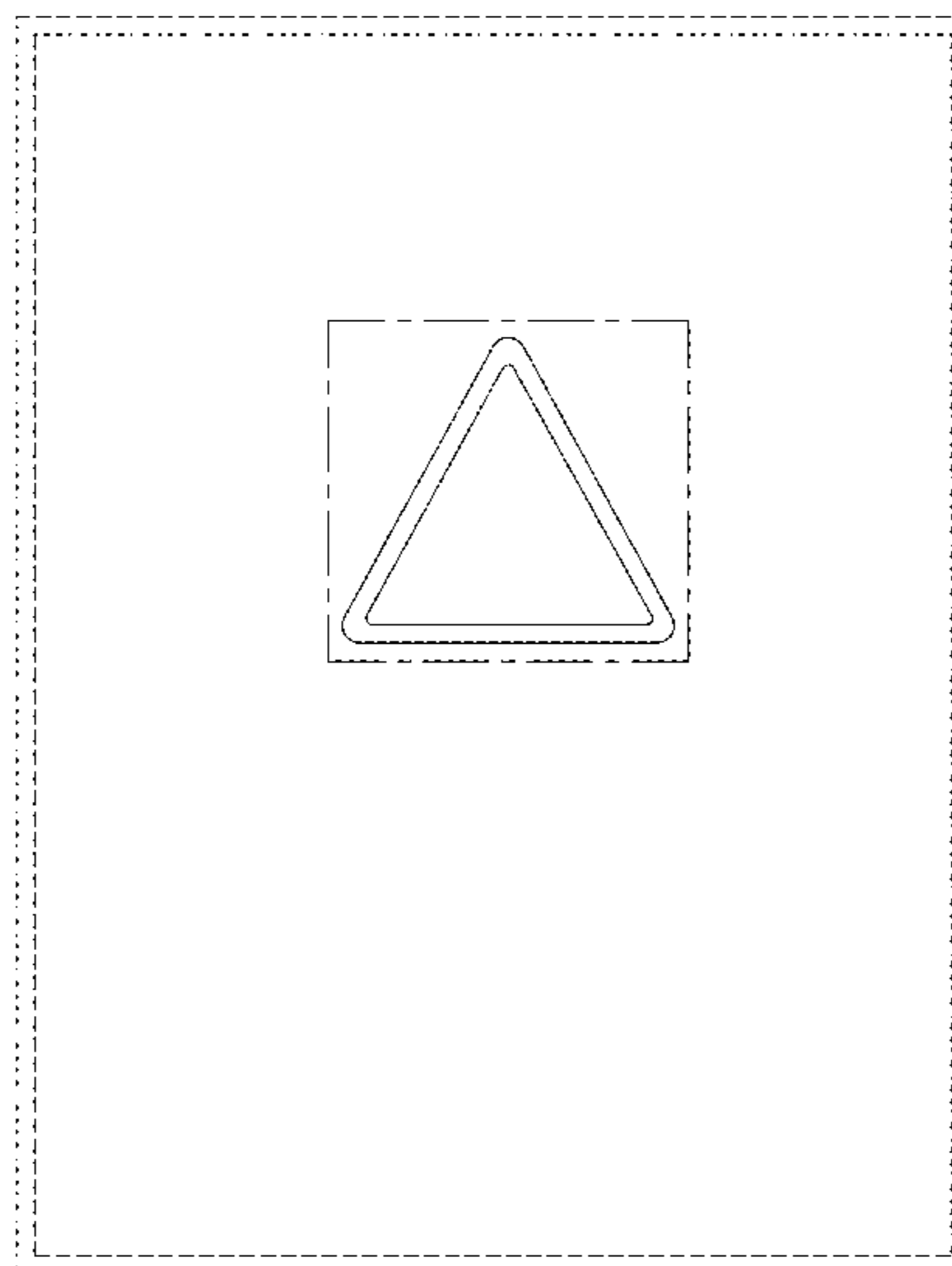
(56) **References Cited**

U.S. PATENT DOCUMENTS

D473,880 S 4/2003 Platz et al.
D474,199 S * 5/2003 Platz D14/489
D474,781 S * 5/2003 Platz D14/489

(Continued)

1 Claim, 4 Drawing Sheets



(56)

References Cited

OTHER PUBLICATIONS

U.S. PATENT DOCUMENTS

D476,017 S *	6/2003	Schmitt	D14/489
D477,328 S *	7/2003	Schmitt	D14/495
D478,092 S *	8/2003	Schmitt	D14/489
D654,929 S *	2/2012	Morrow	D14/492
D665,420 S *	8/2012	Morrow	D14/492
D665,421 S *	8/2012	Morrow	D14/492
D693,366 S *	11/2013	Daniel	D14/489
D704,219 S *	5/2014	Ahn	D14/492
D705,793 S *	5/2014	Lee	D14/486
D711,415 S	8/2014	Simister et al.	
D719,179 S *	12/2014	Daniel	D14/485
D751,602 S *	3/2016	Park	D14/489

On Reflection 1 [online]. Tumblr, Sep. 8, 2013 [retrieved on May 6, 2016]. Retrieved from the Internet:< <http://powwell.tumblr.com/post/60664326256/on-reflection-1> >.*

Click on sign to see the warning sign of the Day! [online]. Skegnews, Jun. 5, 2011 [retrieved on May 6, 2016]. Retrieved from the Internet:< <http://skegnews.blogspot.com/2011/06/warning-thinking-in-progress.html> >.*

Warning: a GIF that may melt your face. [online]. Dribbble, Sep. 26, 2012 [retrieved on May 6, 2016]. Retrieved from the Internet:< <https://dribbble.com/shots/745008-WARNING-a-GIF-that-may-melt-your-face> >.*

* cited by examiner

FIG. 1

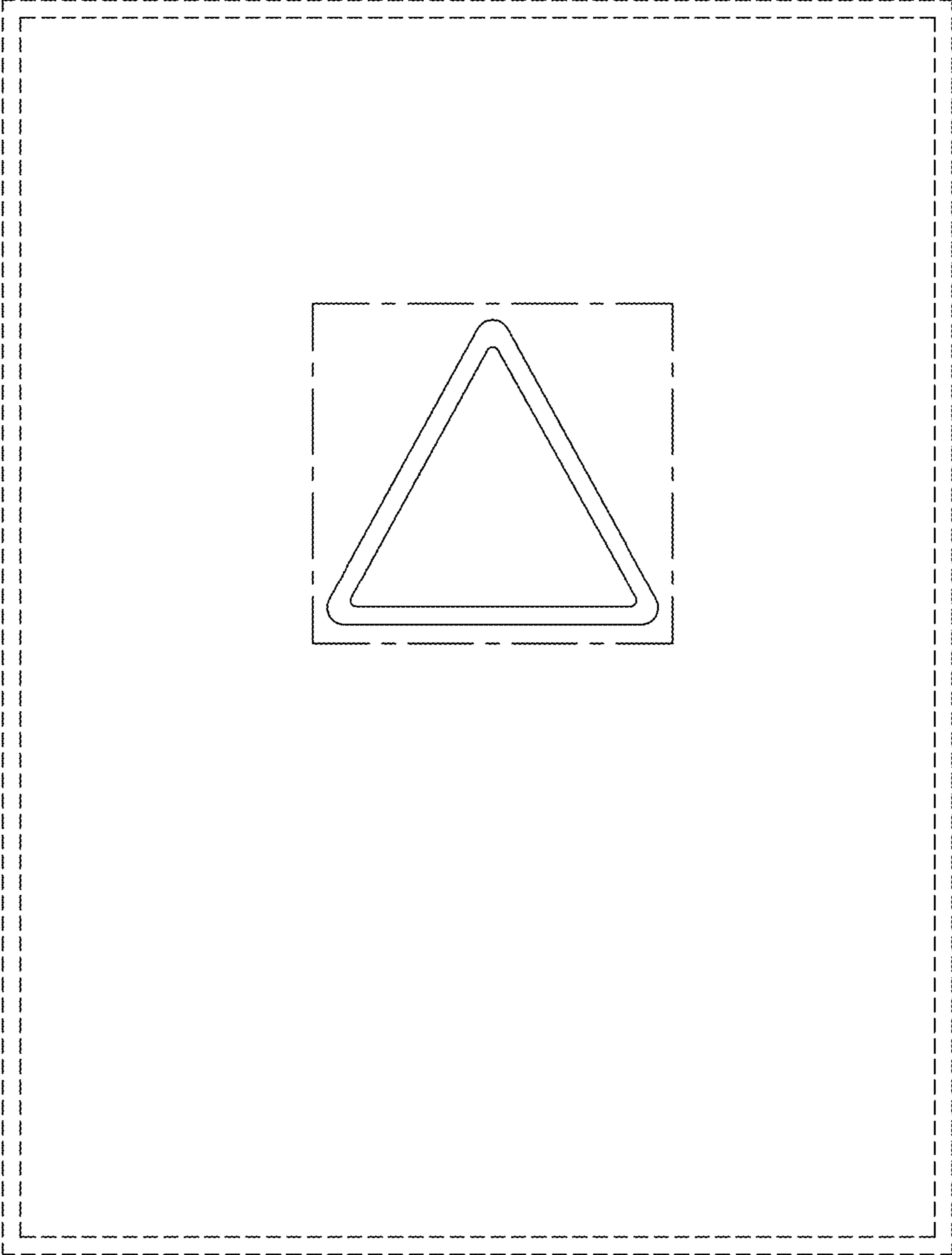


FIG. 2

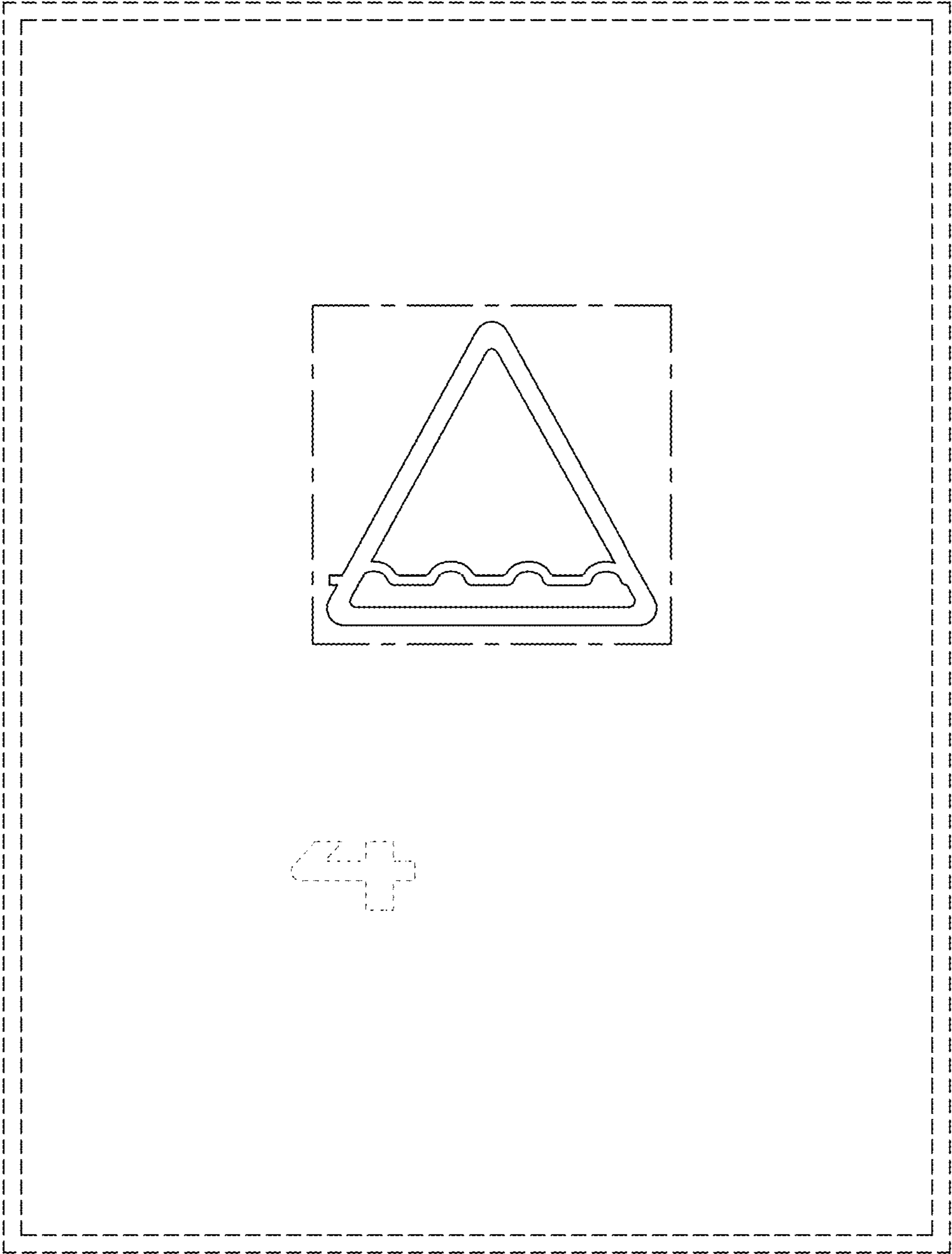


FIG. 3

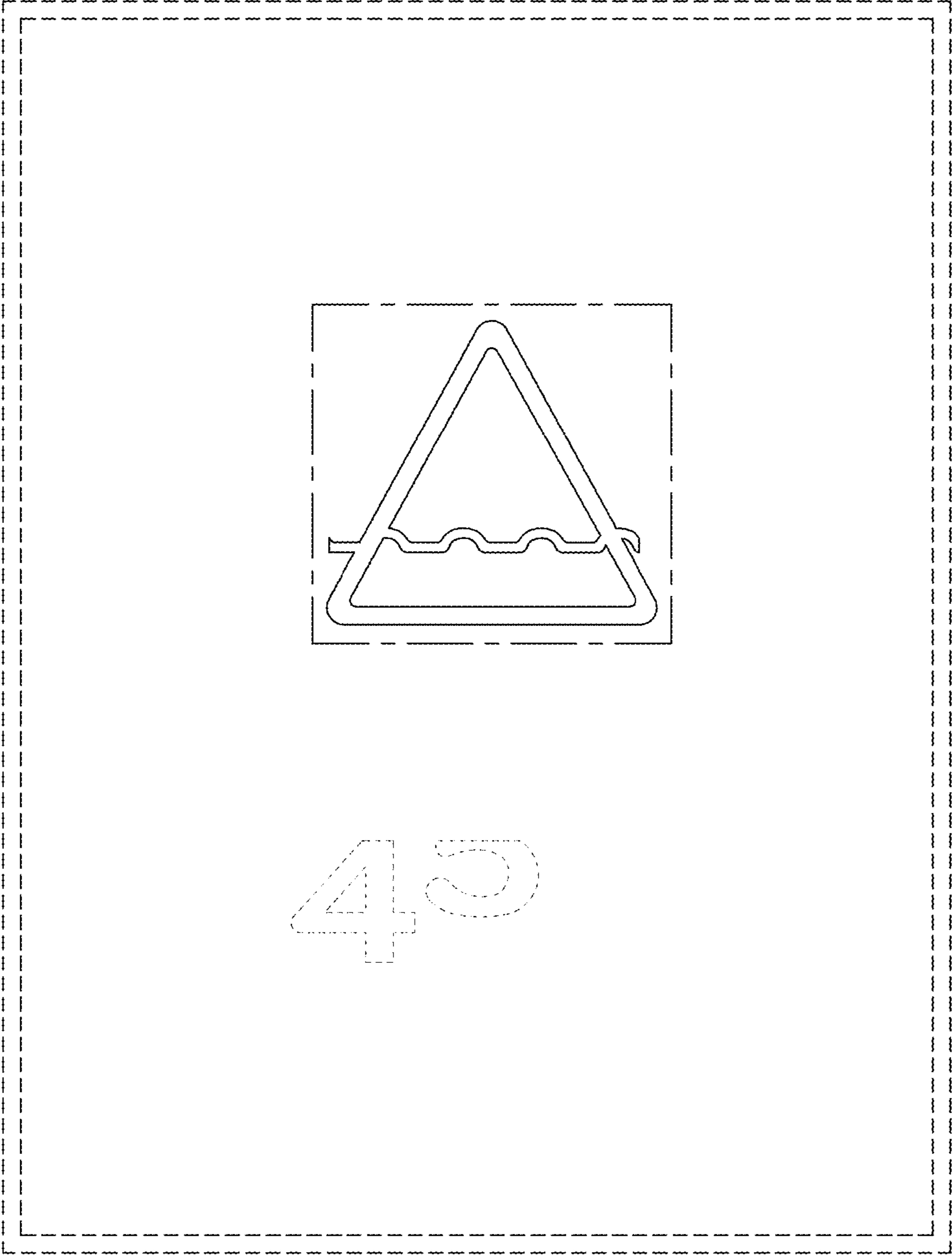


FIG. 4

