



US00D769251S

(12) **United States Design Patent** (10) **Patent No.:** **US D769,251 S**  
**Chen** (45) **Date of Patent:** **\*\* Oct. 18, 2016**

(54) **DETACHABLE KEYBOARD**  
(71) Applicant: **Getac Technology Corporation**,  
Hsinchu County (TW)  
(72) Inventor: **Ying-Chun Chen**, Taipei (TW)  
(73) Assignee: **GETAC TECHNOLOGY**  
**CORPORATION**, Hsinchu County  
(TW)  
(\*\*) Term: **15 Years**  
(21) Appl. No.: **29/540,627**  
(22) Filed: **Sep. 25, 2015**  
(51) **LOC (10) Cl.** ..... **14-02**  
(52) **U.S. Cl.**  
USPC ..... **D14/457**; D14/434  
(58) **Field of Classification Search**  
USPC ..... D14/432-434, 314, 204, 420, 421, 447,  
D14/217, 358, 138 R, 140, 142, 253, 356,  
D14/451, 391-399; D13/107, 108, 146;  
D8/373; 248/346.03, 176.1;  
361/679.41, 679.31, 679.32, 679.4,  
361/679.43, 679.55, 679.58, 679.33;  
320/107, 109, 112-115; 710/15, 303;  
455/557; 439/347, 534  
CPC ..... H02J 7/0042; H02J 7/00; H02J 7/025;  
H02J 7/0044; H02J 7/0045; H01R 31/065;  
H01R 13/6675; H01M 10/44; F16M 11/10;  
F16M 11/04; F16M 11/12; F16M 11/38;  
F16M 11/105; F16M 11/2064; Y02E 60/12;  
Y02T 90/14; Y02T 90/122; Y02T 90/128;  
Y02T 90/163; H04M 1/04; G06F 1/1654;  
G06F 1/1632  
See application file for complete search history.

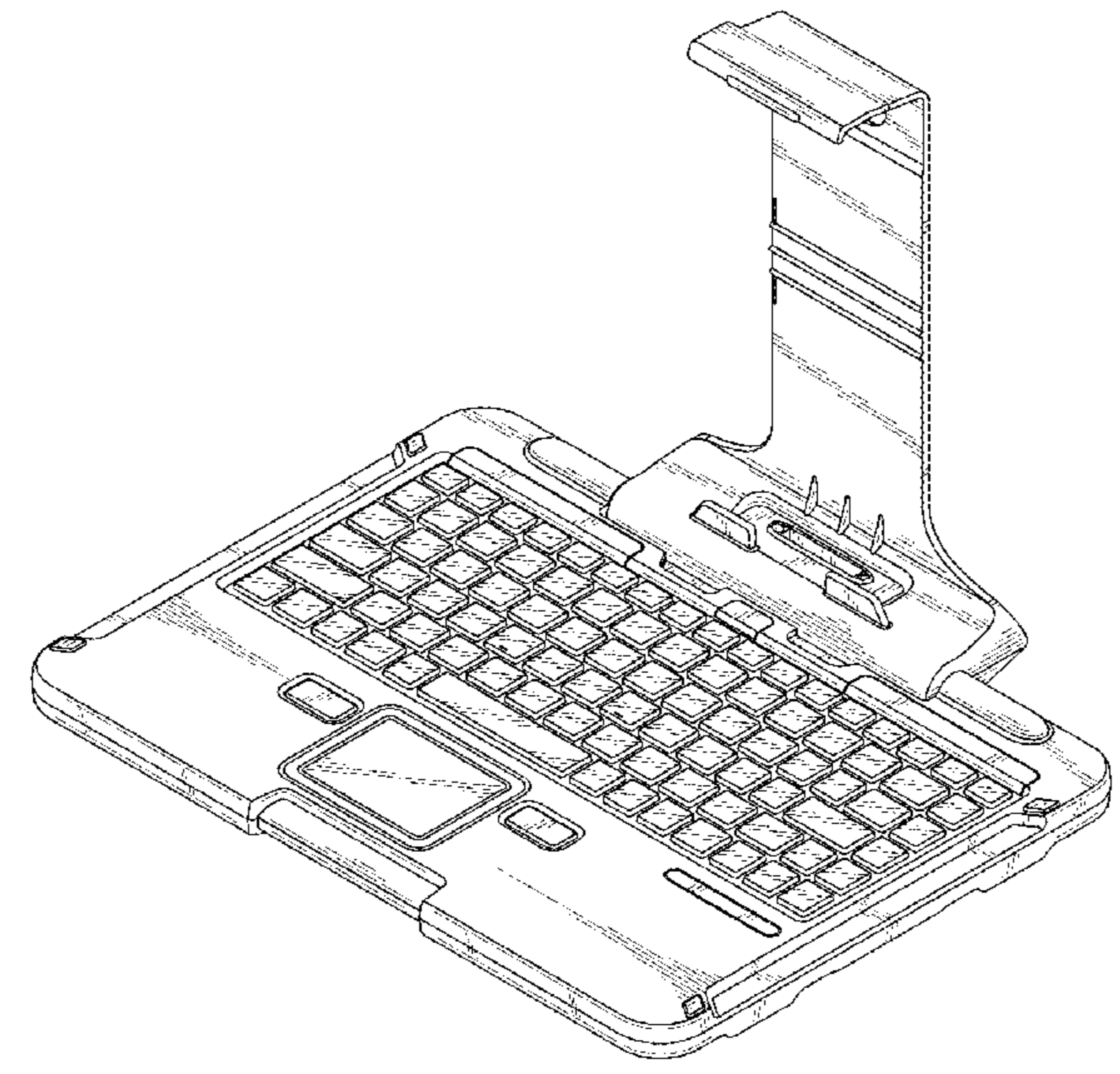
(56) **References Cited**  
U.S. PATENT DOCUMENTS  
D508,916 S \* 8/2005 Lee ..... D14/434  
6,999,008 B2 \* 2/2006 Wang ..... G06F 1/1632  
341/22  
D545,821 S \* 7/2007 Eroma ..... D14/393  
D549,232 S \* 8/2007 Li ..... D14/434  
D588,141 S \* 3/2009 Heggland ..... D14/434  
D676,453 S \* 2/2013 Hsu ..... D14/447  
D712,413 S \* 9/2014 Fukai ..... D14/440  
D714,794 S \* 10/2014 Quijano ..... D14/447  
9,074,724 B2 \* 7/2015 Yu ..... G06F 1/1632

\* cited by examiner  
*Primary Examiner* — Freda S Nunn  
(74) *Attorney, Agent, or Firm* — Locke Lord LLP; Tim  
Tingkang Xia, Esq.

(57) **CLAIM**  
The ornamental design for a detachable keyboard, as shown  
and described.

**DESCRIPTION**  
FIG. 1 is a top, front, right perspective view of a detachable  
keyboard of my new design;  
FIG. 2 is a bottom, rear, right perspective view thereof;  
FIG. 3 is a front view thereof;  
FIG. 4 is a rear view thereof;  
FIG. 5 is a left side view thereof;  
FIG. 6 is a right side view thereof;  
FIG. 7 is a top view thereof;  
FIG. 8 is a bottom view thereof; and,  
FIG. 9 is a perspective view thereof showing a portable  
electronic device installed.  
The portable electronic device, shown in broken lines, is for  
environment only and forms no part of the claimed design.

**1 Claim, 9 Drawing Sheets**



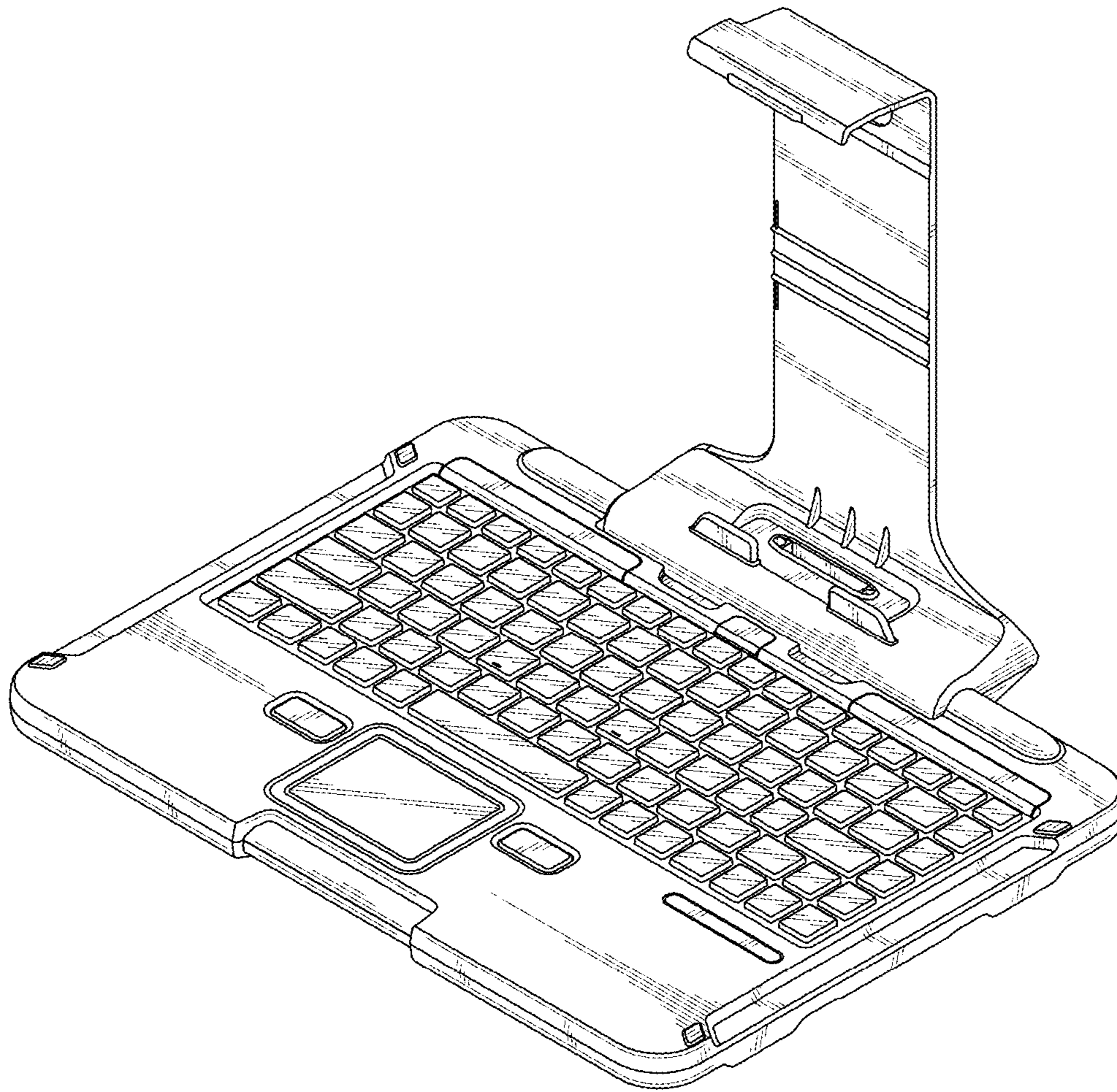


FIG. 1

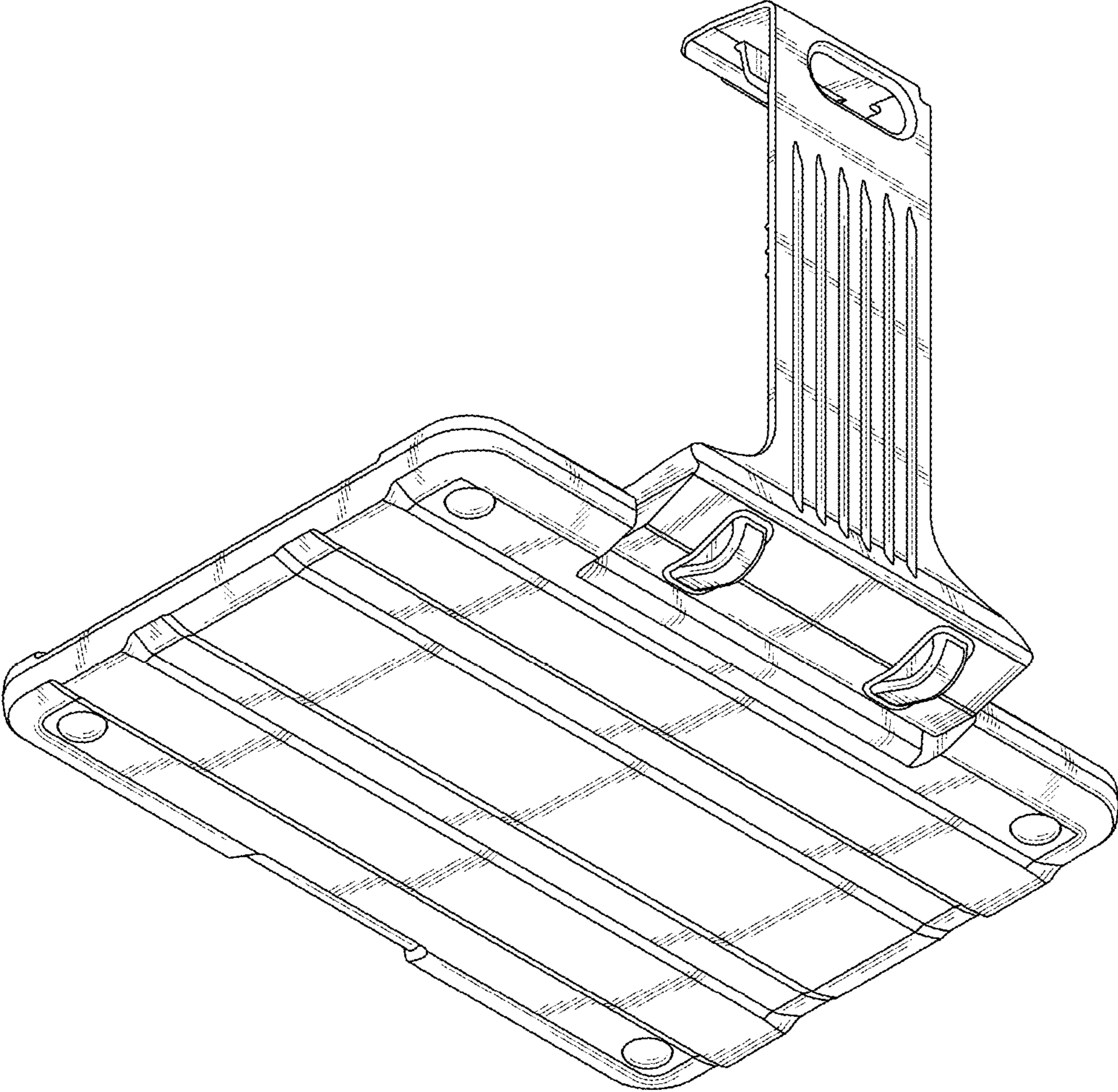


FIG. 2

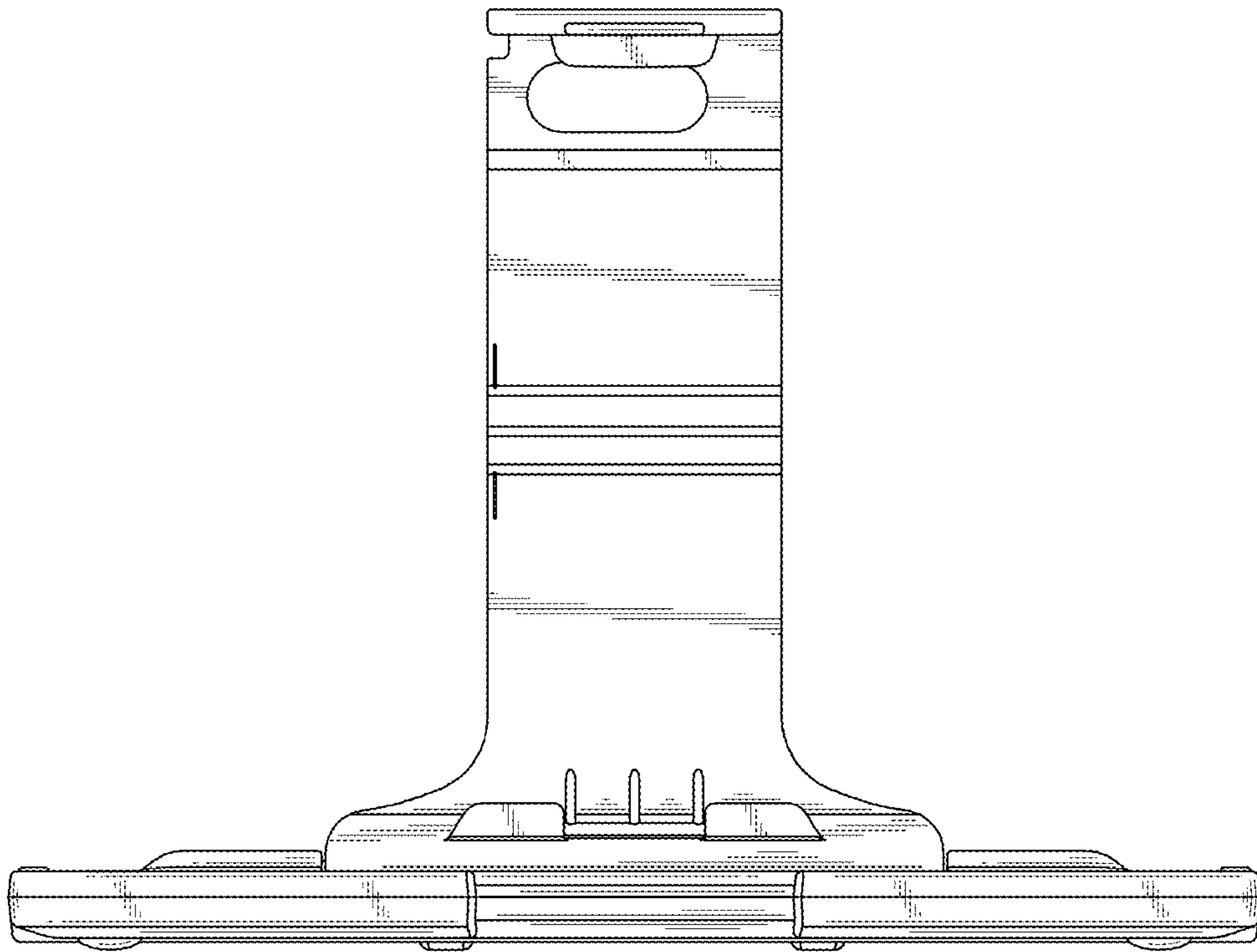


FIG. 3

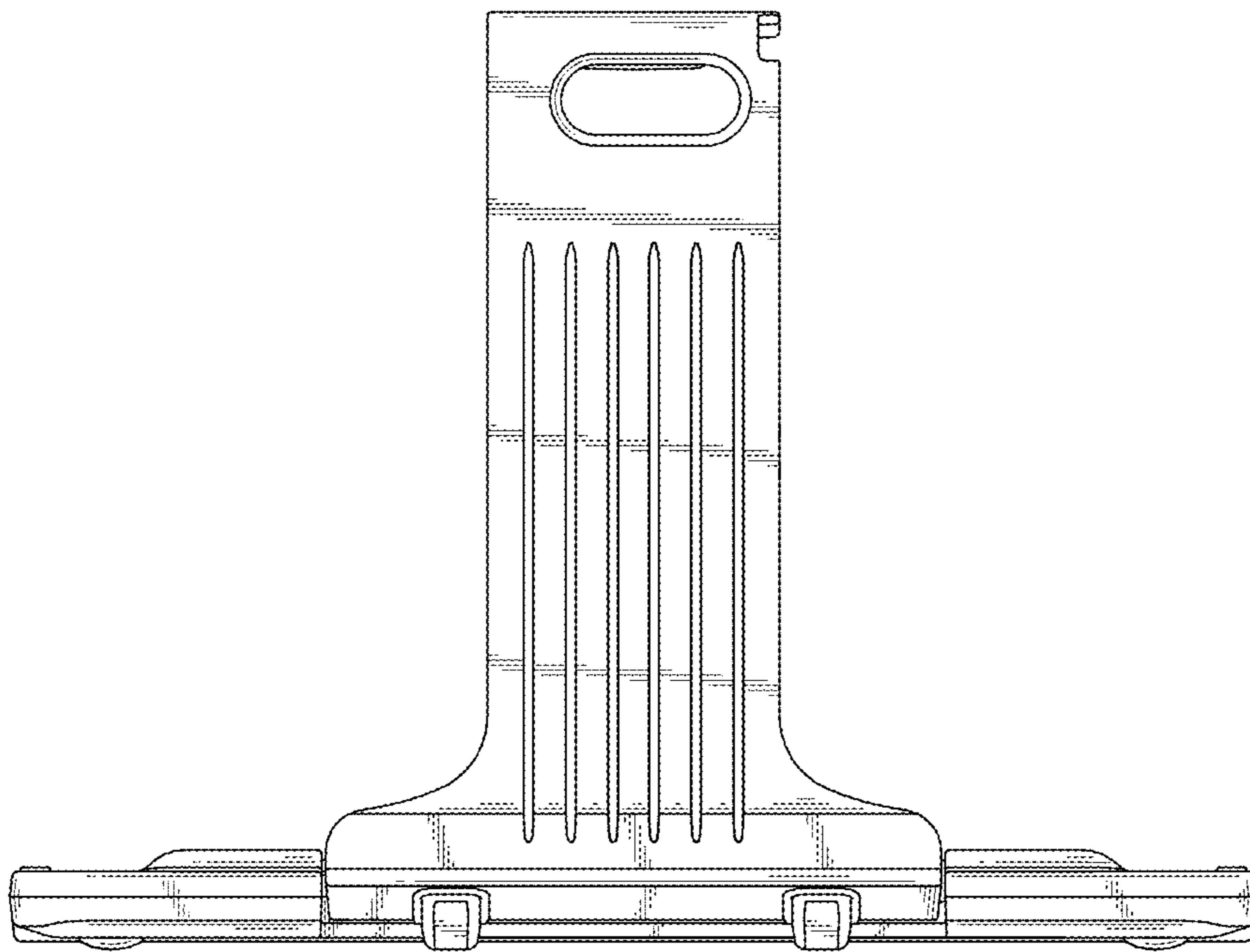


FIG. 4

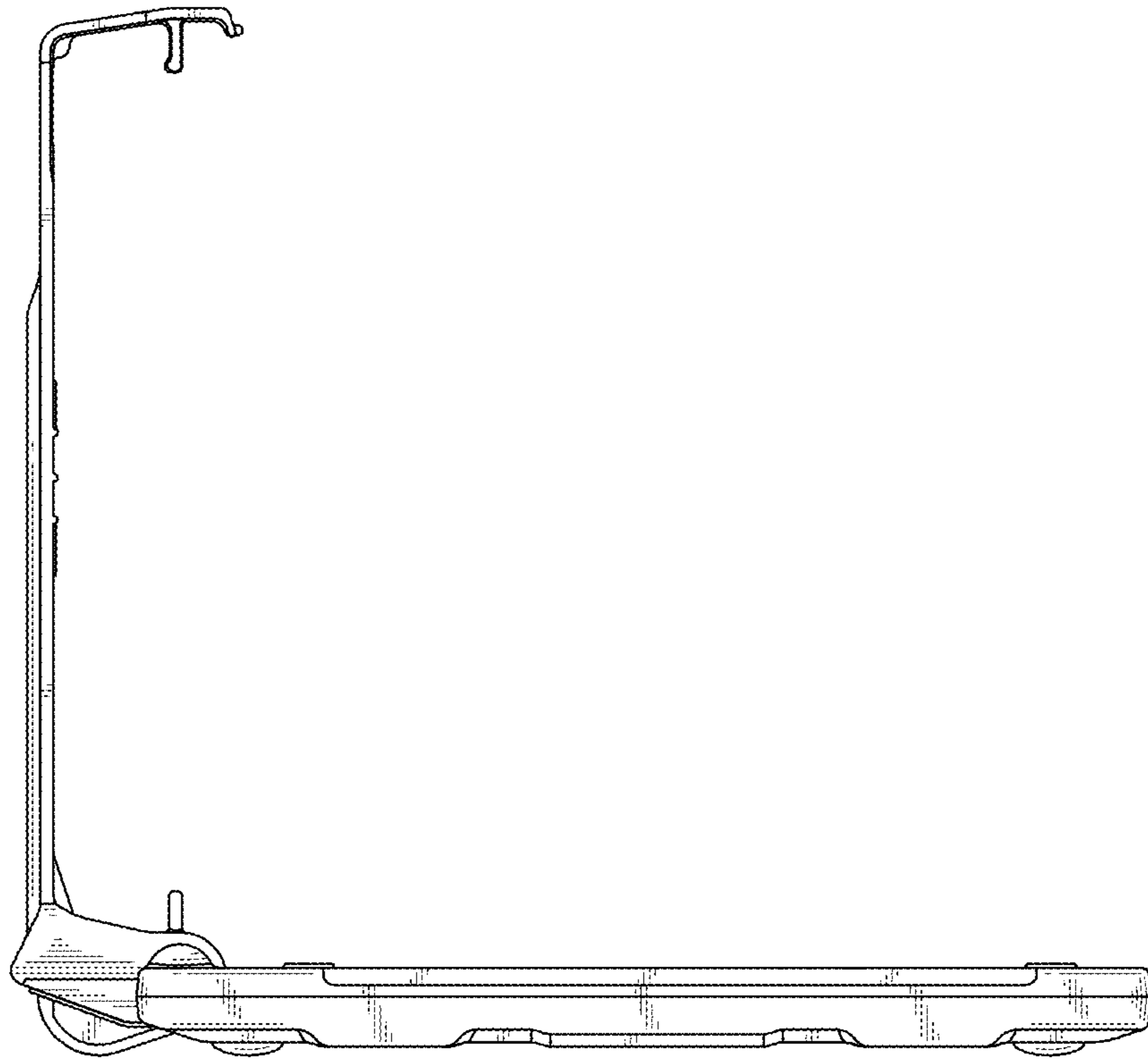


FIG. 5

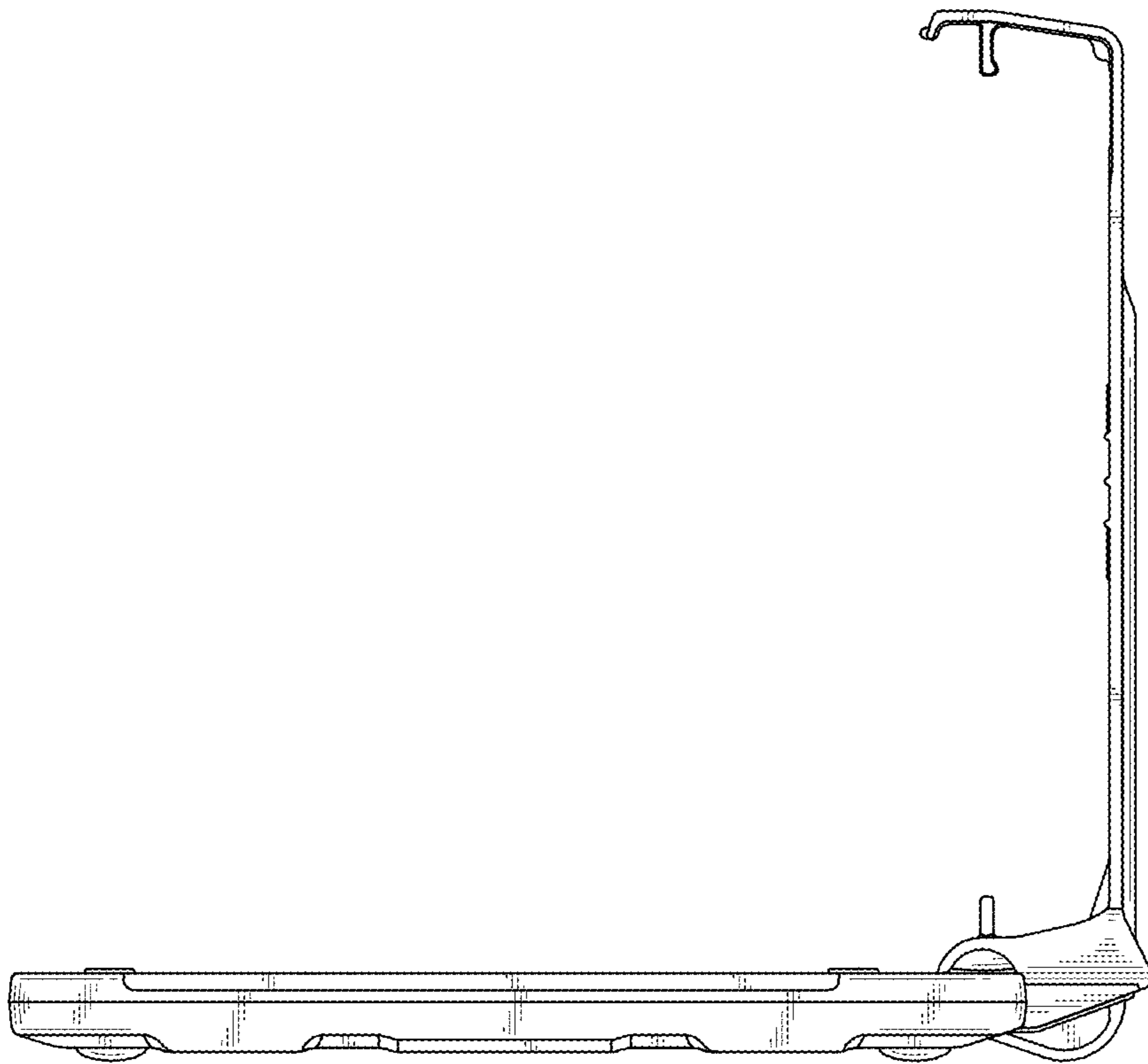


FIG. 6

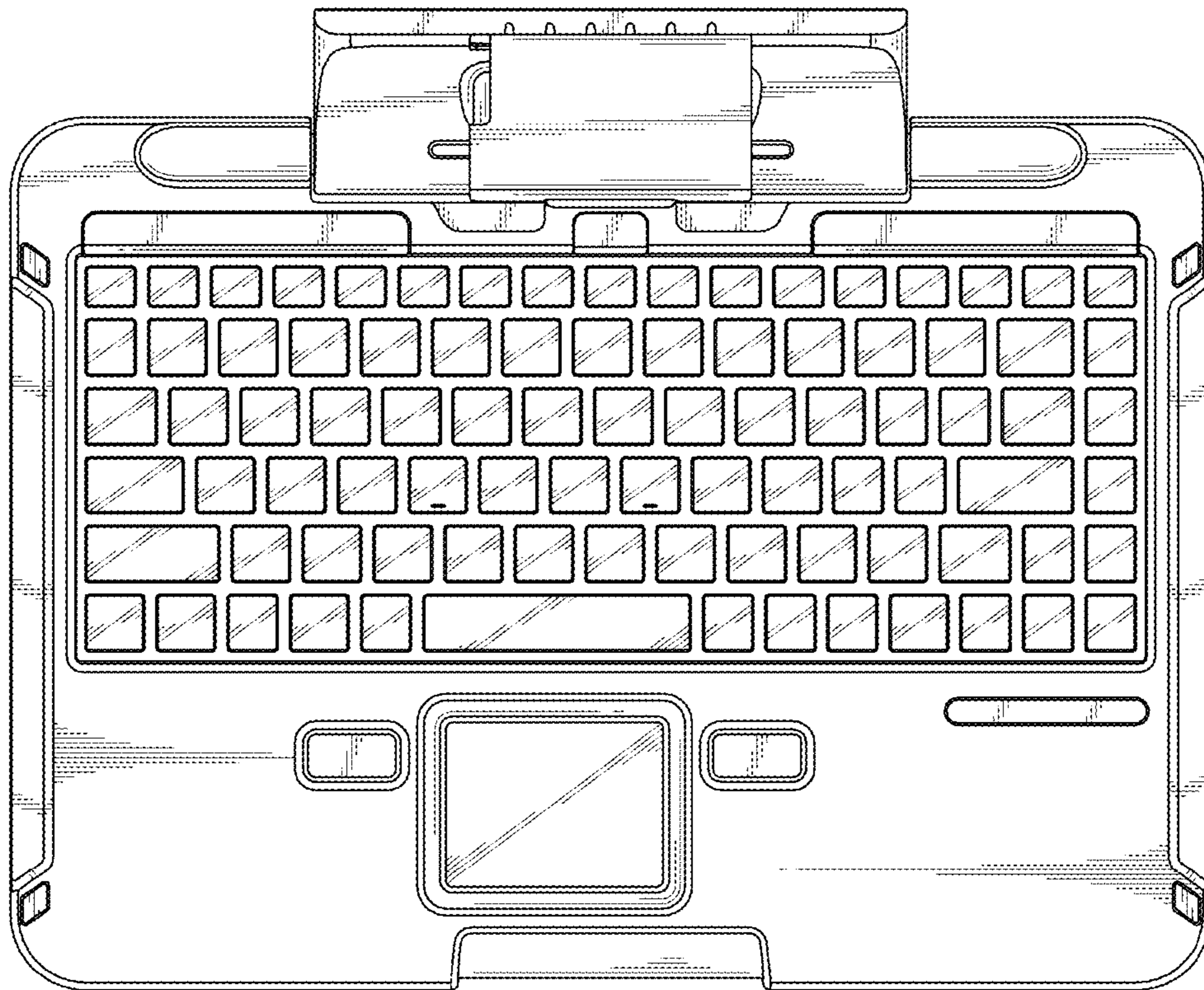


FIG. 7



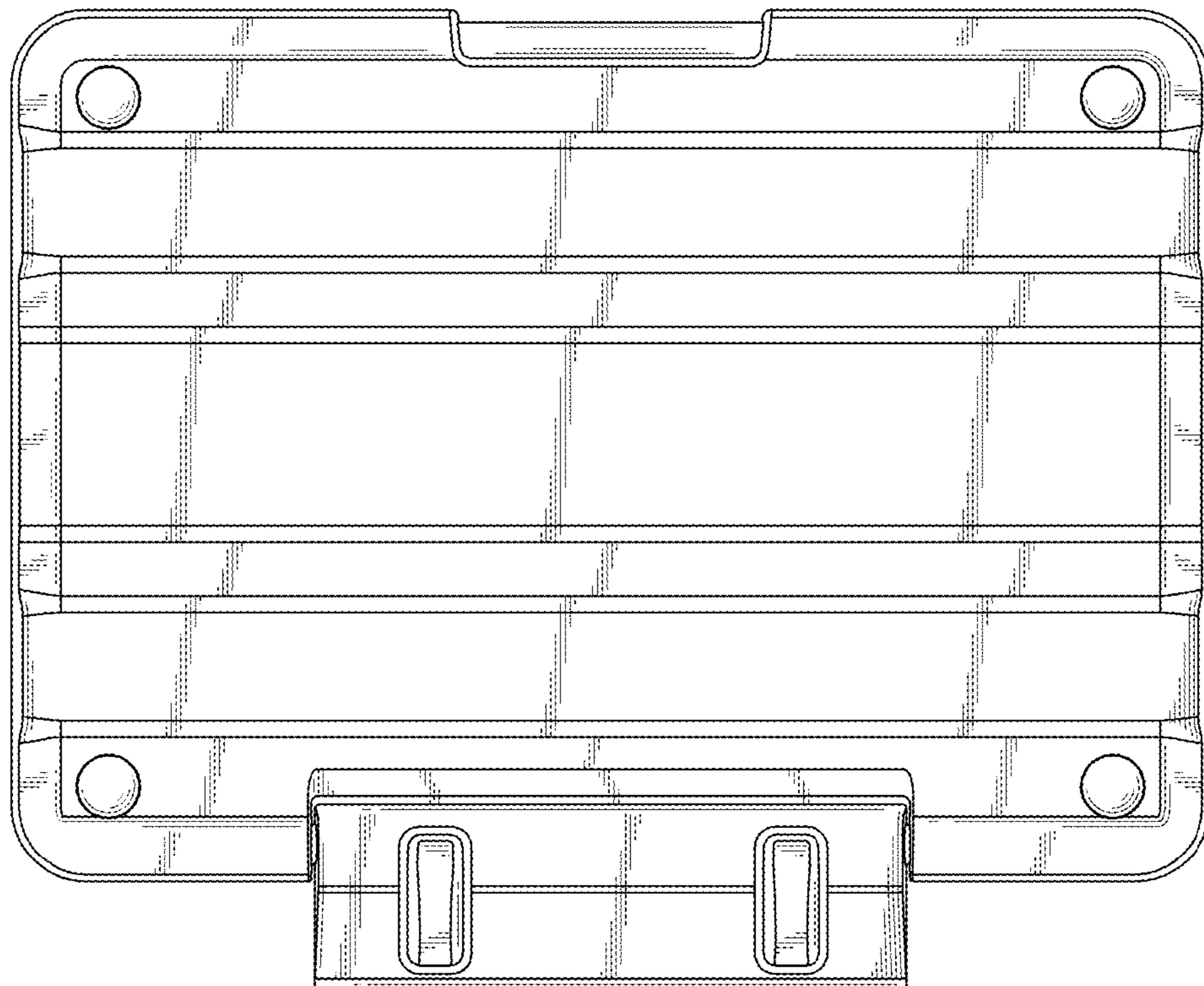


FIG. 8

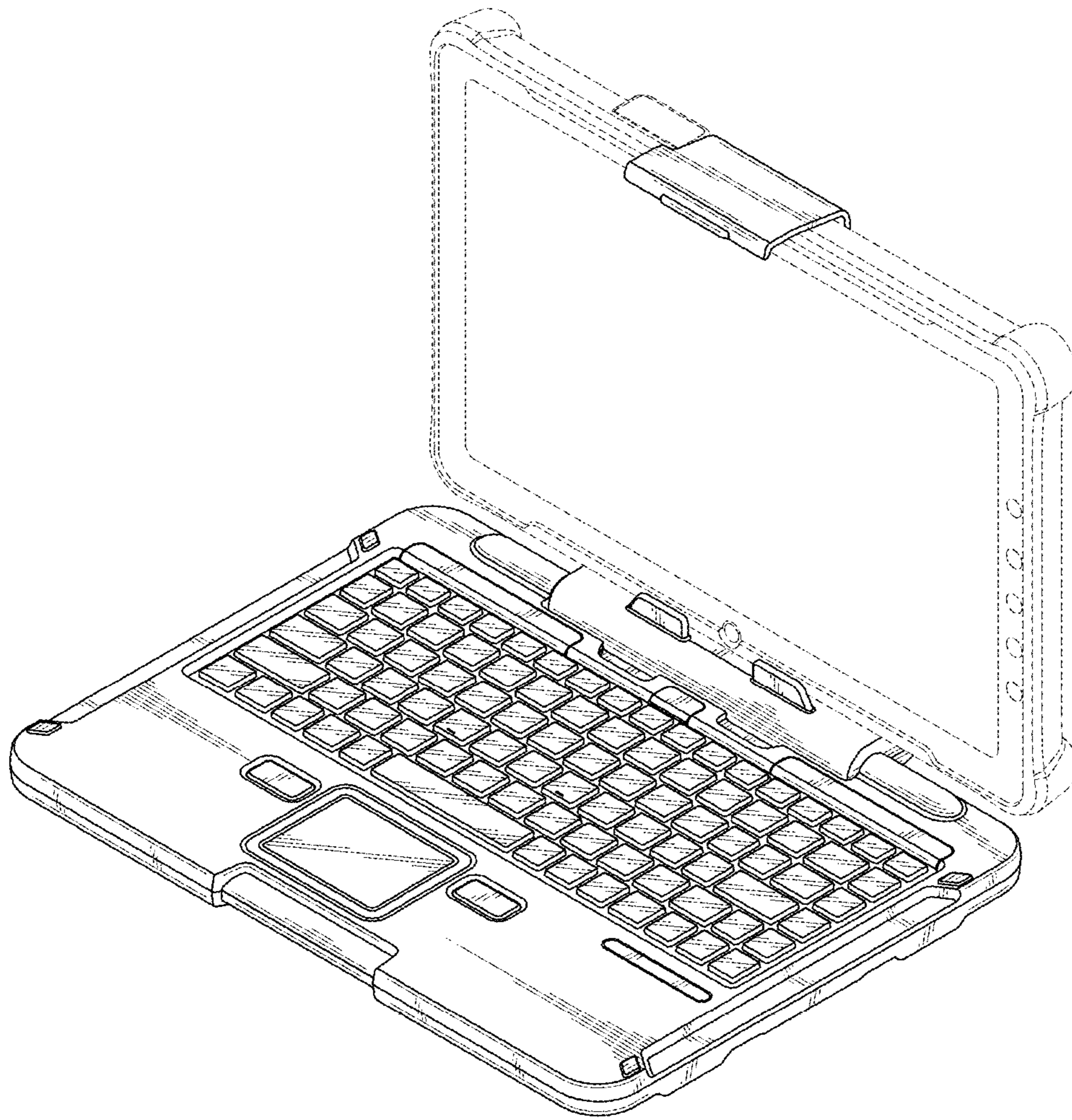


FIG. 9