



US00D769249S

(12) **United States Design Patent** (10) **Patent No.:** **US D769,249 S**
King (45) **Date of Patent:** **** Oct. 18, 2016**

(54) **SHELF**

FOREIGN PATENT DOCUMENTS

(71) Applicant: **Steven G. King**, Alameda, CA (US)

CN 101312074 5/2007

(72) Inventor: **Steven G. King**, Alameda, CA (US)

OTHER PUBLICATIONS

(**) Term: **14 Years**

Twelve South, "Little shelf that is out of sight, but not out of reach", Internet. Available at <http://www.twelvesouth.com/product/back-pack-for-imac>. Last accessed Apr. 2014.

(21) Appl. No.: **29/498,365**

(22) Filed: **Aug. 1, 2014**

Primary Examiner — Garth Rademaker

(51) **LOC (10) Cl.** **08-07**

Assistant Examiner — Katie S Mroczka

(52) **U.S. Cl.**

(74) *Attorney, Agent, or Firm* — PatentBest; Andrew

USPC **D14/451**

McAleavey

(58) **Field of Classification Search**

USPC D14/371–382, 125–129, 336, 337,
D14/447–452, 492, 335, 239, 457, 439–441,
D14/432, 251–253; D8/349, 354, 363, 373,
D8/376, 380; D21/333; D12/415; D3/218;
348/180, 184, 325, 739, 825; D6/524,
D6/553; 211/150; 248/242

(57) **CLAIM**

The ornamental design for a shelf, as shown and described.

CPC G06F 3/0412; G06F 3/016; G06F 3/0488;
G06F 3/011; G06F 3/038; G06F 3/03543;
G06F 3/0338; G06F 3/0202; G06F 3/0219;
G06F 3/0213; G06F 1/1616; G06F 3/023;
G06F 3/04883; G02F 1/13338; G02F 1/1313;
G02F 1/1333; G02F 1/135; G02F 1/132;
G02F 1/133308; G02F 1/134309; G02F
1/13718; G09G 3/3648; G06K 15/1252;
B41J 2/465; G03F 7/70291; G02B 27/0172;
G02B 5/30; G02B 2027/0118; G02B
27/0101; F16M 13/02; F16M 13/00; F16M
11/10; F16M 11/04; F16M 2200/08; F16M
11/2021; A47B 21/0314; A47B 88/044;
A47B 2021/0335; H02G 3/126; F16B 47/00;
F16B 47/006; A47G 1/17; A47K 2201/00

DESCRIPTION

This application is related to a U.S. utility patent application entitled "Shelf for a Desktop Computer," U.S. application Ser. No. 14/450,138, and filed on then same date as this application. The contents of that application are incorporated by reference herein in their entirety.

FIG. 1 is a perspective view of a shelf, illustrating my new design.

FIG. 2 is a top plan view of the shelf;

FIG. 3 is a bottom plan view of the shelf;

FIG. 4 is a rear elevational view of the shelf;

FIG. 5 is a front elevational view of the shelf; and,

FIG. 6 is a side elevational view of the shelf, the two sides of the shelf being mirror images of one another.

The broken lines in the drawings immediately adjacent to the claimed shaded areas of the shelf represent the boundary of the claimed design that form no part thereof. The broken lines in FIG. 1 that illustrate a monitor and stand are environment that form no part of the claimed design. The remaining broken lines in the drawings illustrate portions of the shelf that form no part of the claimed design.

See application file for complete search history.

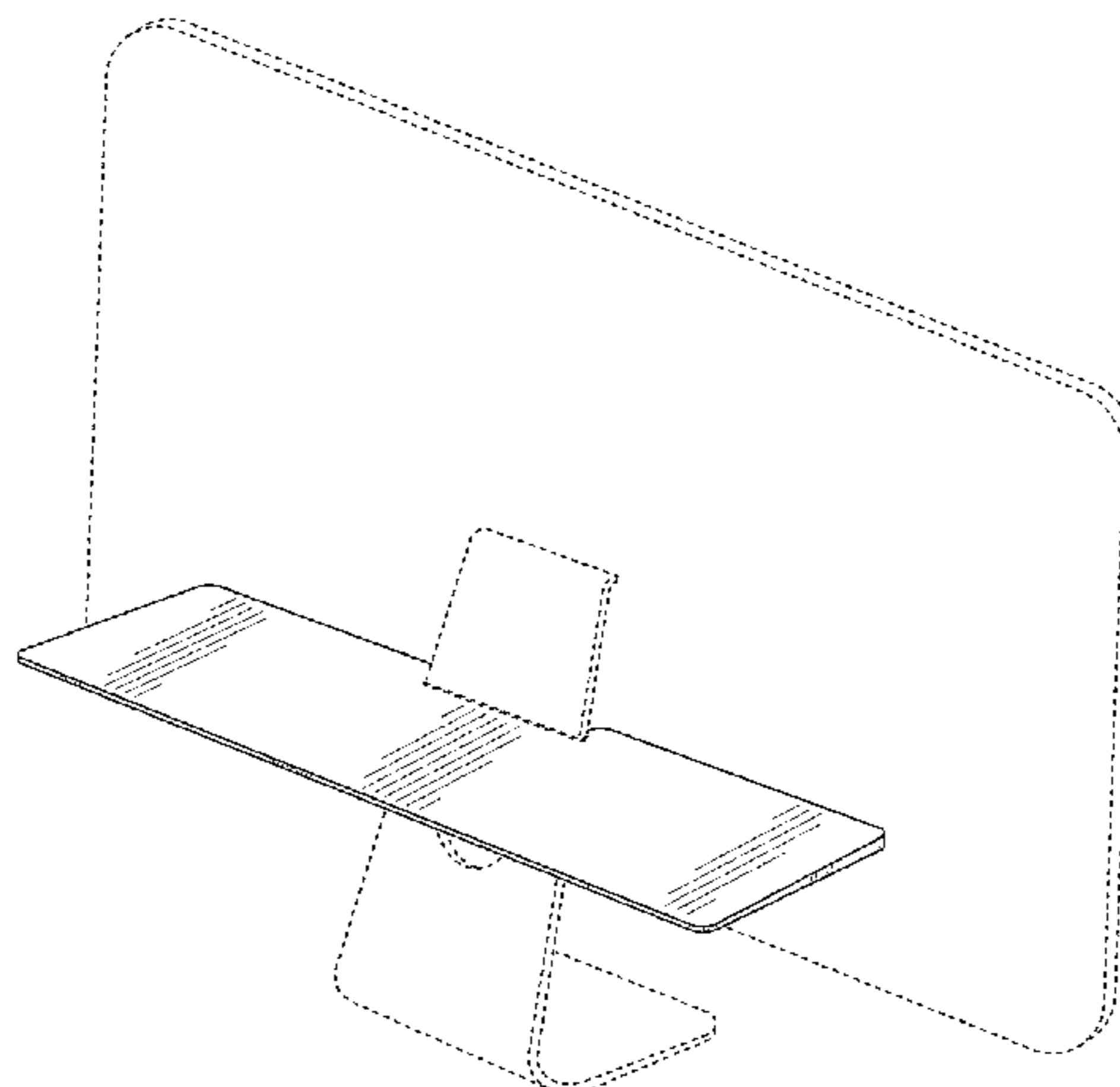
(56) **References Cited**

U.S. PATENT DOCUMENTS

4,730,760 A * 3/1988 Keller B6N 3/007
108/18
D367,834 S * 3/1996 Beavers D12/133

(Continued)

1 Claim, 4 Drawing Sheets



(56)

References Cited

U.S. PATENT DOCUMENTS

5,738,320	A *	4/1998	Matos	A47B 81/061	7,950,335	B1	5/2011	Almond et al.
				108/1	8,009,414	B2	8/2011	Ishida et al.
D408,649	S *	4/1999	Bucklitzsch	D6/406.1	D655,541	S *	3/2012	Zemel D6/705
D426,409	S *	6/2000	Clark	D6/406.5	8,174,823	B2	5/2012	Green
6,240,857	B1	6/2001	Elizer		D687,040	S *	7/2013	Meadows D14/447
D445,394	S *	7/2001	Wesson	D12/317	8,523,132	B2	9/2013	Chen et al.
7,551,432	B1	6/2009	Bockheim et al.		8,576,554	B2	11/2013	Quijano
7,621,544	B2	11/2009	Rossini		D698,793	S *	2/2014	Graham D14/447
D605,193	S	12/2009	Andre et al.		D749,598	S *	2/2016	Ray D14/448
D613,979	S *	4/2010	Moore	D6/707.22	9,332,835	B2 *	5/2016	Shannon A47B 3/10
7,946,609	B2 *	5/2011	Johnson	A45C 5/14	2008/0068784	A1	3/2008	Bouissiere
			280/47.19		2009/0008349	A1	1/2009	Kim
					2013/0058030	A1	3/2013	Mabon

* cited by examiner

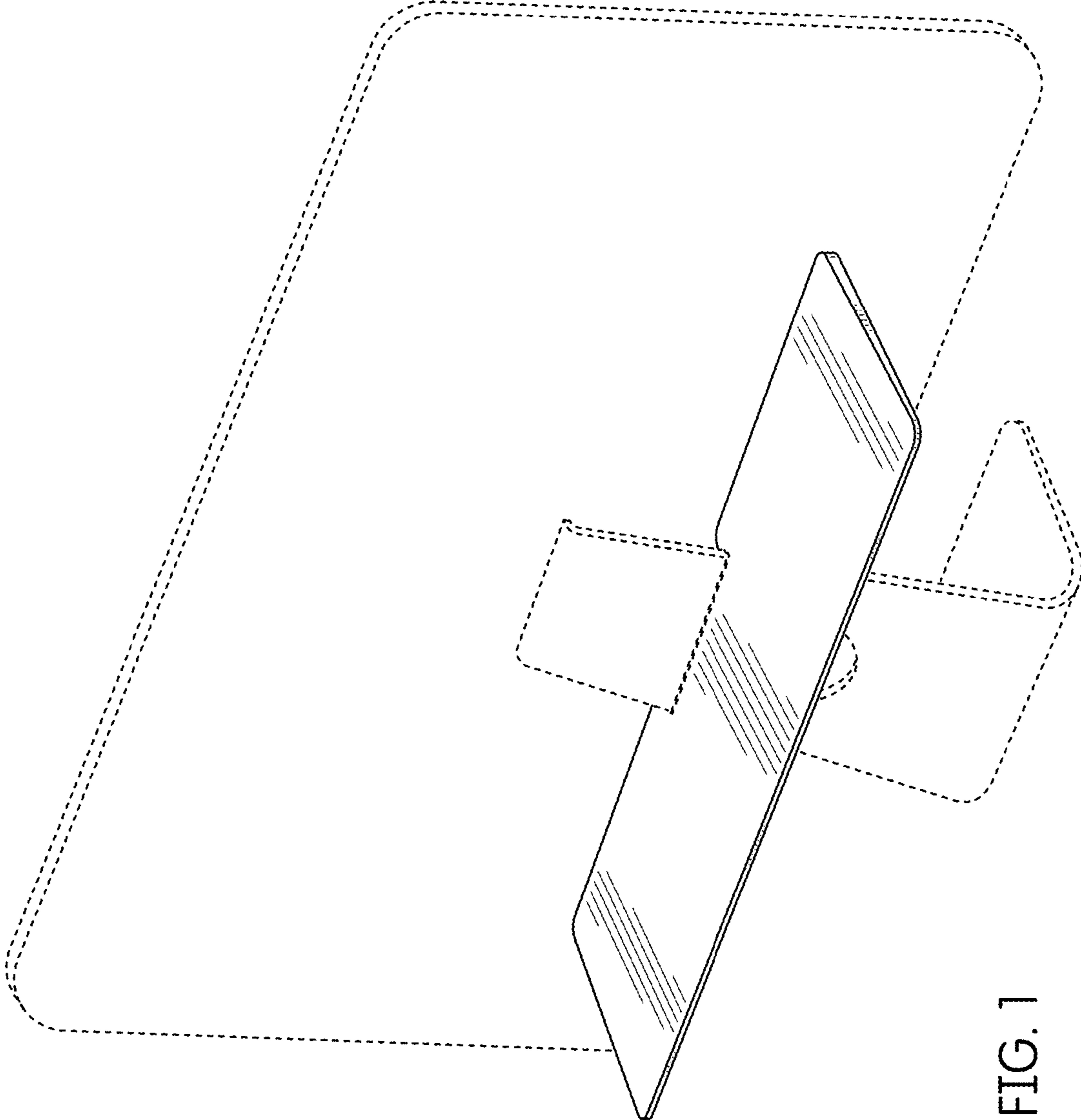


FIG. 1

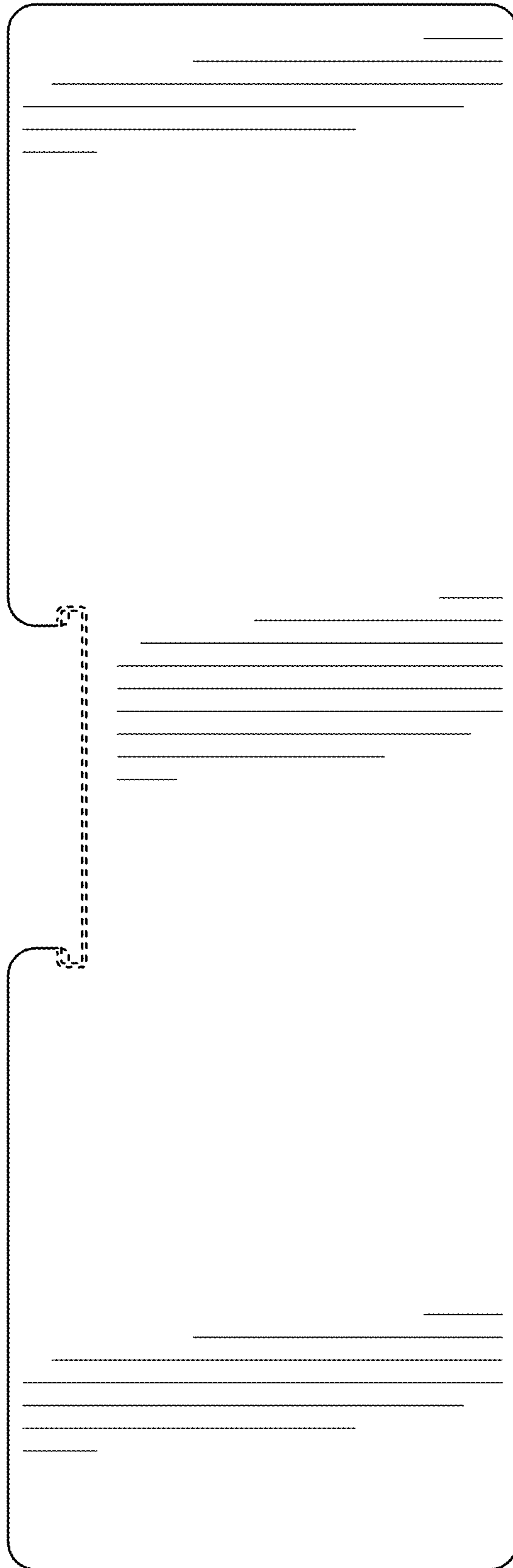


FIG. 2

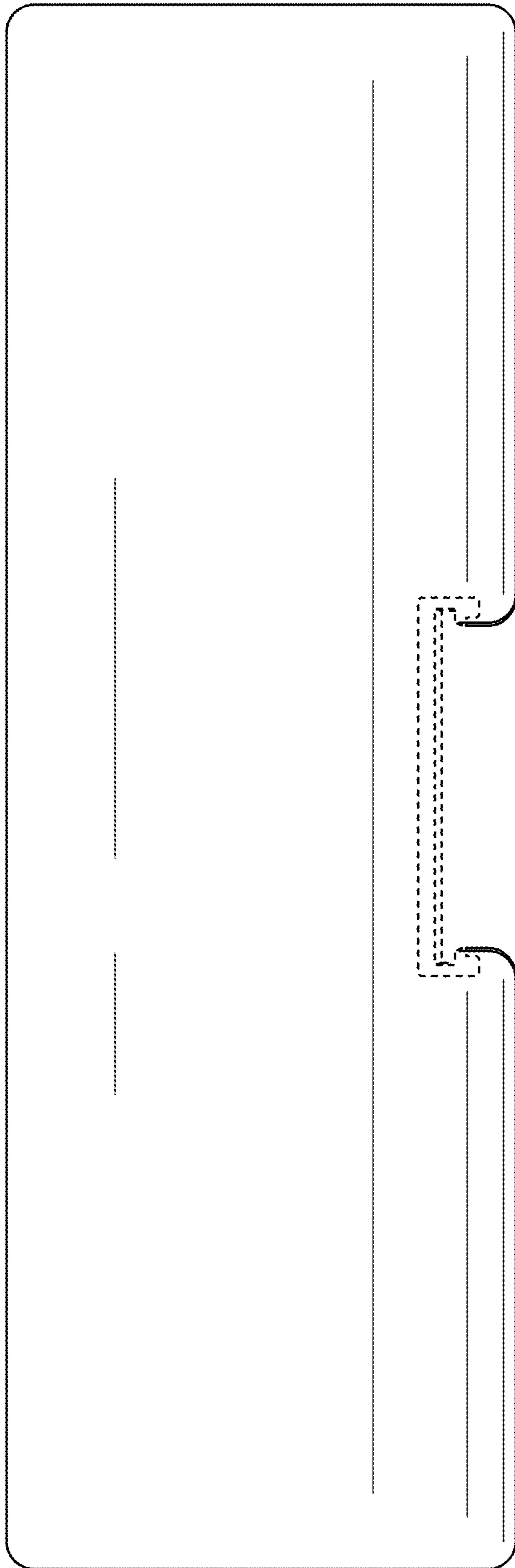


FIG. 3

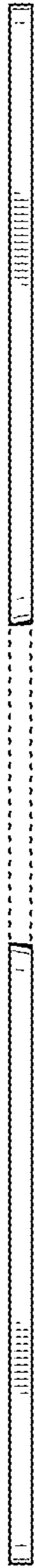


FIG. 4



FIG. 5

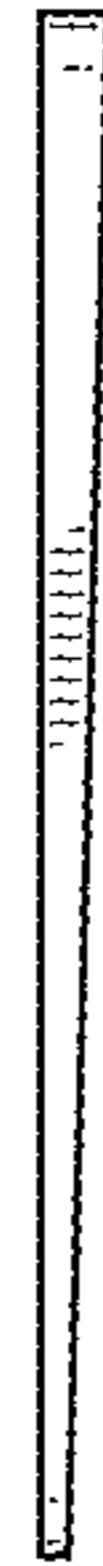


FIG. 6