



US00D769248S

(12) **United States Design Patent** (10) **Patent No.:** **US D769,248 S**
Biondo (45) **Date of Patent:** **** Oct. 18, 2016**

(54) **ELECTRONIC DEVICE HOLDER**
(71) Applicant: **Barry Biondo**, West Palm Beach, FL (US)
(72) Inventor: **Barry Biondo**, West Palm Beach, FL (US)
(**) Term: **15 Years**

D616,431 S * 5/2010 Hijmans D14/253
D619,586 S 7/2010 Richter
D619,587 S 7/2010 Richter
D637,593 S 5/2011 Zanetti
D655,702 S 3/2012 Saxton
D663,735 S * 7/2012 Musselman D14/253
D668,247 S 10/2012 Kim
D677,260 S * 3/2013 Hong D14/447
D681,028 S 4/2013 Richter
D681,029 S 4/2013 Richter

(Continued)

(21) Appl. No.: **29/559,314**
(22) Filed: **Mar. 26, 2016**
(51) **LOC (10) Cl.** **08-07**
(52) **U.S. Cl.**
USPC **D14/447**
(58) **Field of Classification Search**
USPC D14/447, 432, 434, 439, 440, 451, 452,
D14/457, 250, 251, 253; D3/218; D6/406.3,
D6/406.4, 406.5, 406.6
CPC A45C 2011/003; A45C 2011/002;
A45C 13/002; A47B 2023/049; A47B
2097/005; A47B 2097/006; A47B 21/04;
A47B 23/00; A47B 23/043; A47B
2021/0307; A47B 2023/005; F16M 2200/00;
H04B 1/3888; H04M 1/185; H04M 1/04
See application file for complete search history.

Primary Examiner — Angela J Lee

(74) *Attorney, Agent, or Firm* — Daniel S. Polley, P.A.

(57) **CLAIM**

The ornamental design for an electronic device holder, as shown and described.

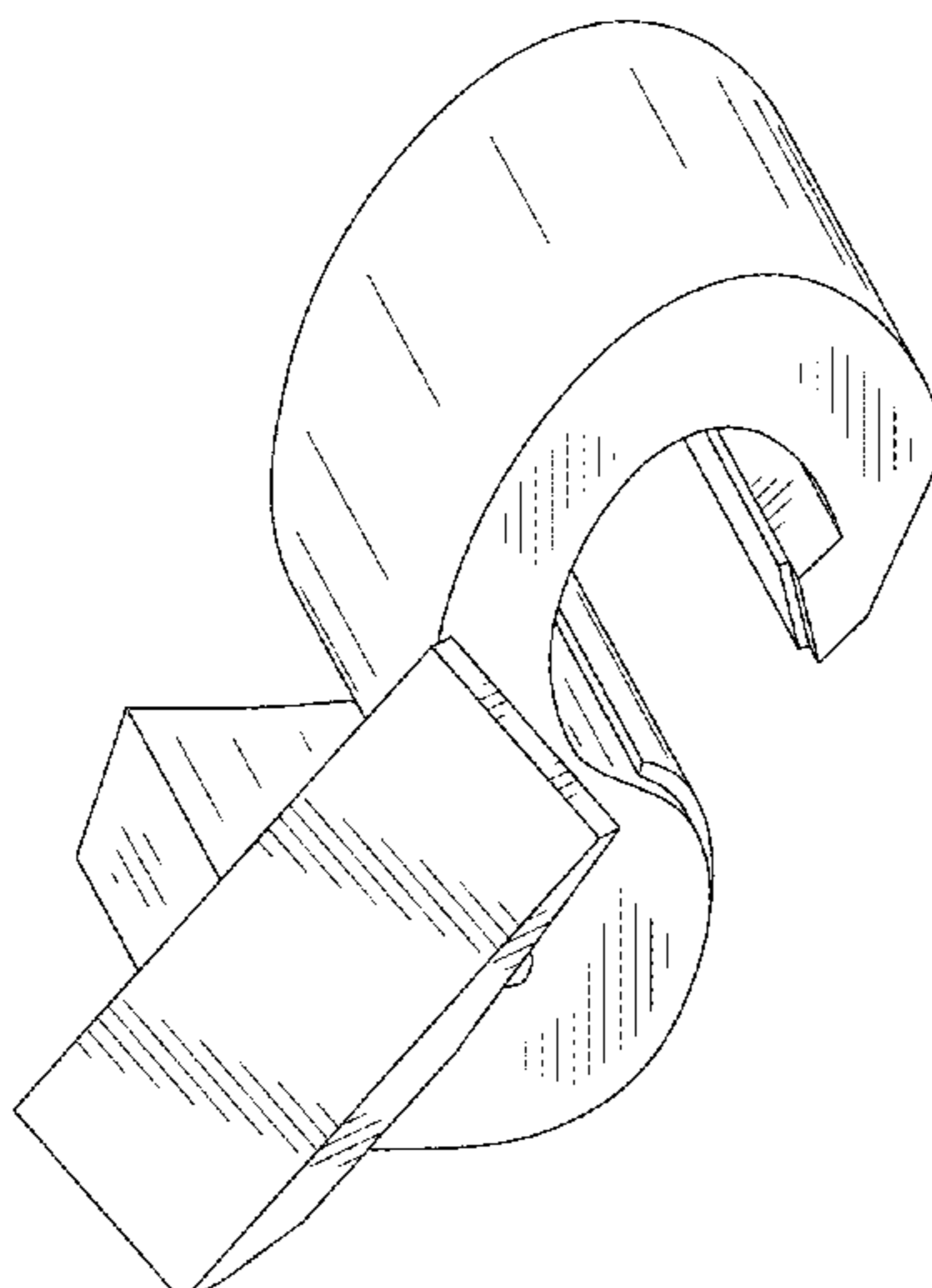
DESCRIPTION

FIG. 1 is a rear perspective view of the electronic device holder, showing the new design;
FIG. 2 is a front perspective view thereof;
FIG. 3 is a top view thereof;
FIG. 4 is a bottom view thereof;
FIG. 5 is a back view thereof;
FIG. 6 is a front view thereof;
FIG. 7 is a left side view thereof;
FIG. 8 is a right side view thereof;
FIG. 9 is a perspective view showing the electronic device holder secured within a non-limiting inside area of a vehicle;
FIG. 10 is a front view showing the electronic device holder secured within the non-limiting inside area of a vehicle; and,
FIG. 11 is a perspective view showing the electronic device holder holding a non-limiting electronic device.
The broken lines shown in FIGS. 9 through 11 form no part of the claim design and merely illustrated one non-limiting intended use. The vehicle, as a non-limiting example for the location of the holder, and the phone, as one non-limiting type of electronic device that can be held or supported by the holder, are shown in phantom for illustrative purposes only and form no part of the claimed design.

(56) **References Cited**
U.S. PATENT DOCUMENTS

5,230,016	A	7/1993	Yasuda
D386,766	S	11/1997	Johansson
D437,845	S	2/2001	Lee
7,099,466	B2	8/2006	Walsh
7,194,087	B2	3/2007	Luginbill
D590,834	S	4/2009	Richter
D590,835	S	4/2009	Richter
D591,755	S	5/2009	Richter
D593,103	S	5/2009	Richter
D599,355	S	9/2009	Richter
D602,024	S	10/2009	Richter
D602,025	S	10/2009	Richter
D613,731	S	4/2010	Yeo

1 Claim, 10 Drawing Sheets



US D769,248 S

Page 2

(56)

References Cited

U.S. PATENT DOCUMENTS

D688,670 S *	8/2013	Huang	D14/447	D750,633 S *	3/2016	Minn	D14/447
D721,712 S *	1/2015	Byrne	D14/447	D752,595 S *	3/2016	Heckler	D14/447
D737,264 S *	8/2015	Shamsadov	D14/251	D754,135 S *	4/2016	Cromack	D14/447
D748,935 S *	2/2016	Jiang	D14/235	2014/0153182 A1 *	6/2014	North	G06F 1/1632 361/679.41
D750,612 S *	3/2016	Chen	D14/253	2015/0102197 A1 *	4/2015	Parameshwara	A47B 23/043 248/450

* cited by examiner

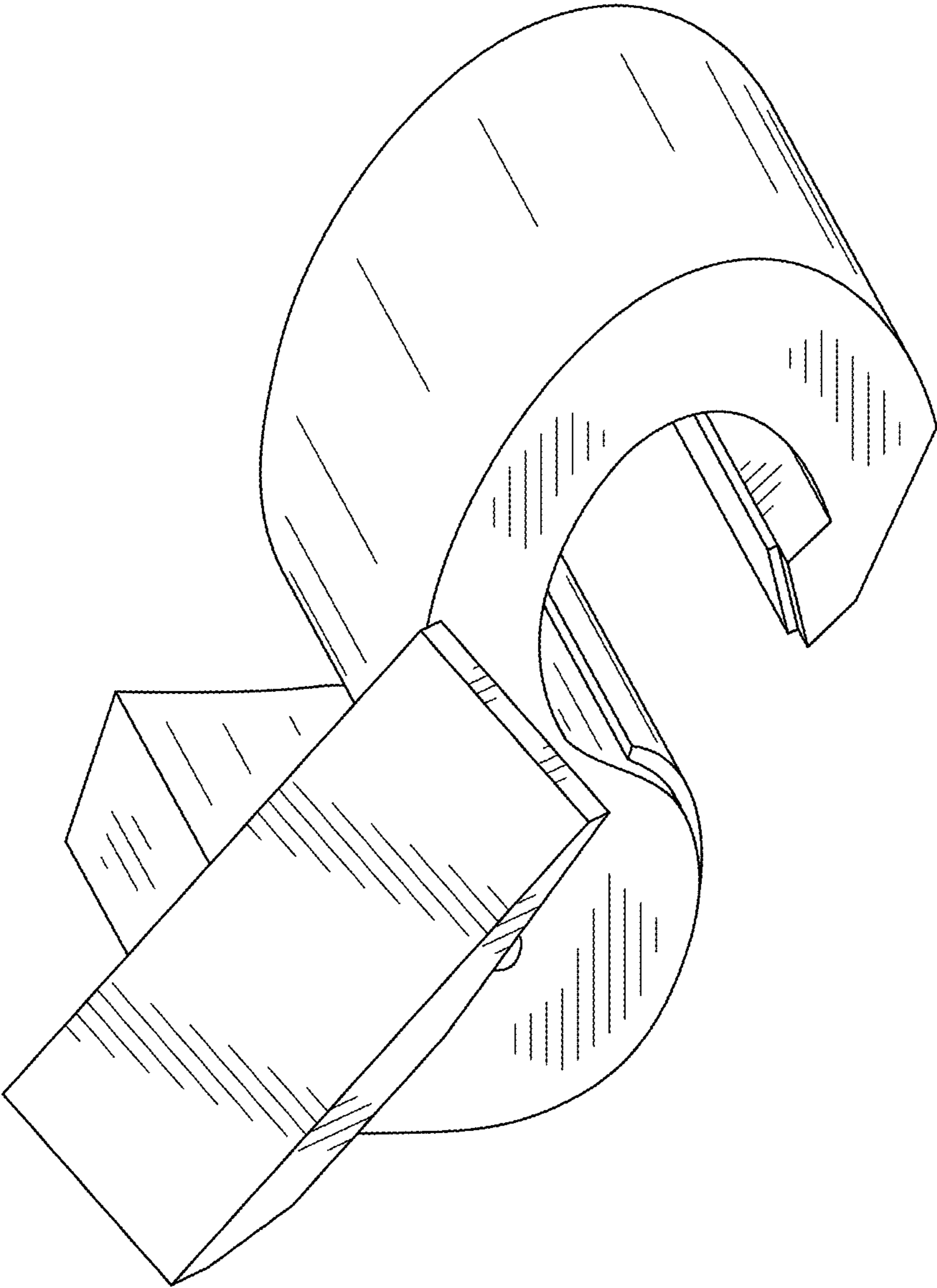


FIG. 1

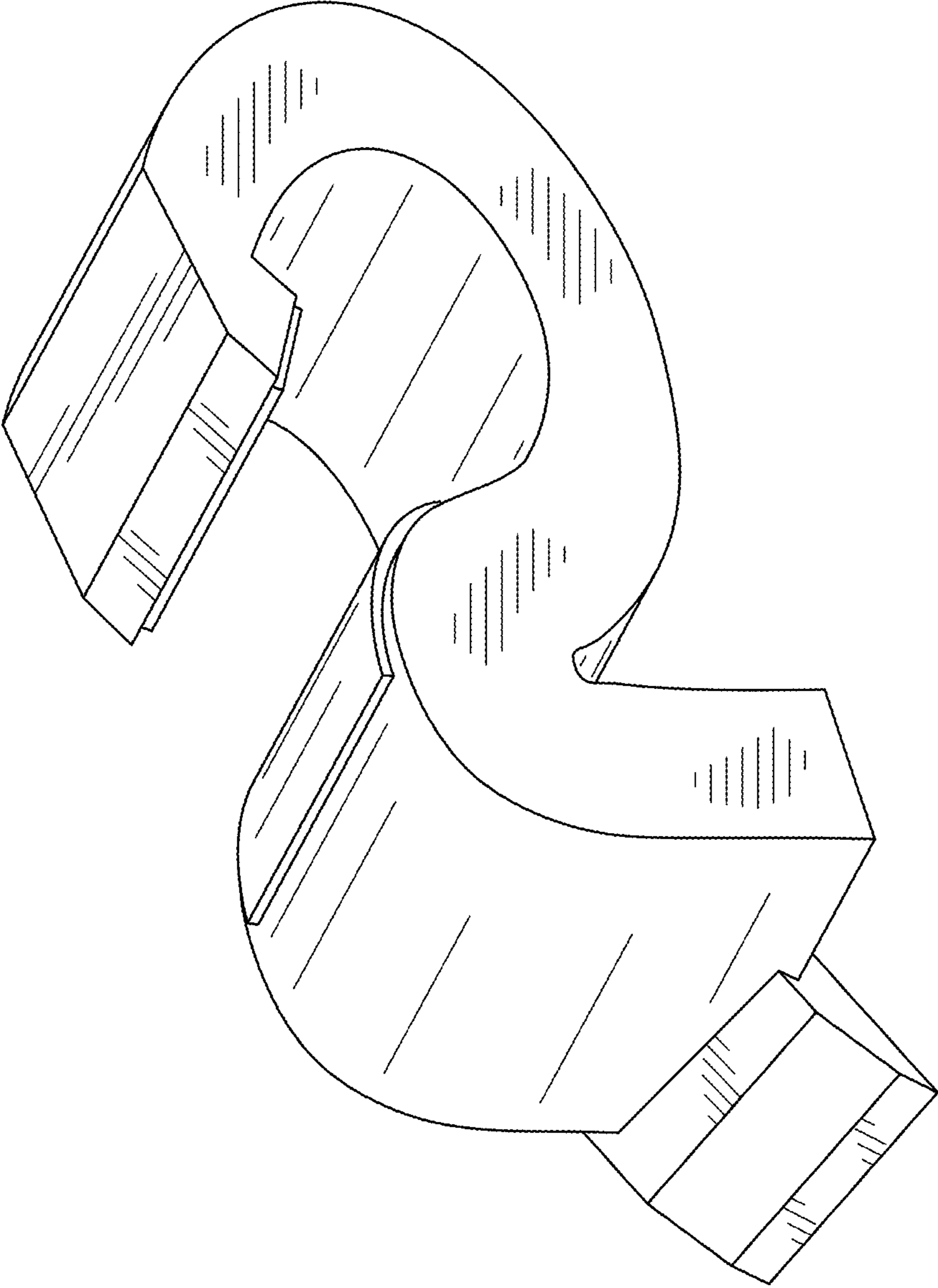


FIG. 2

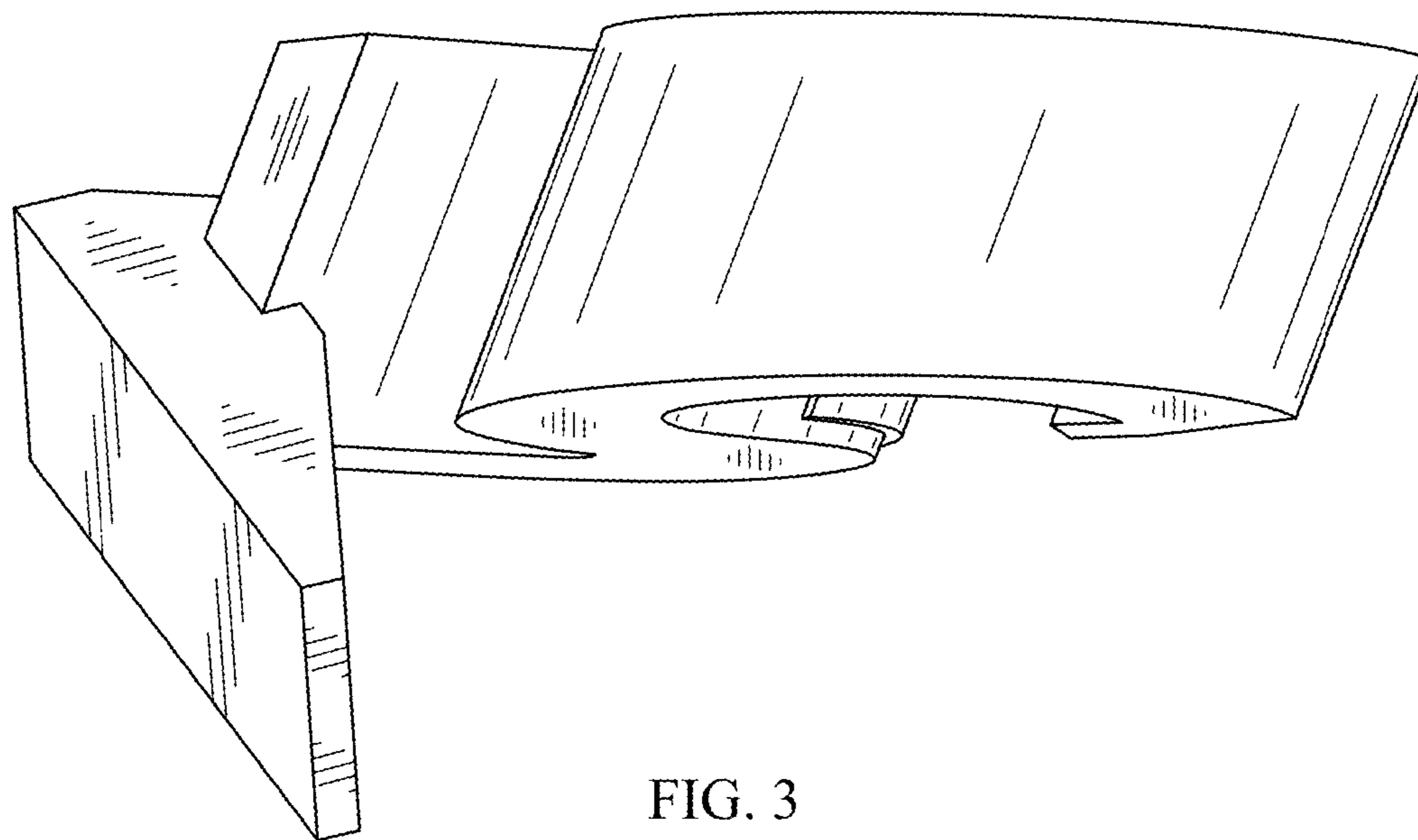


FIG. 3

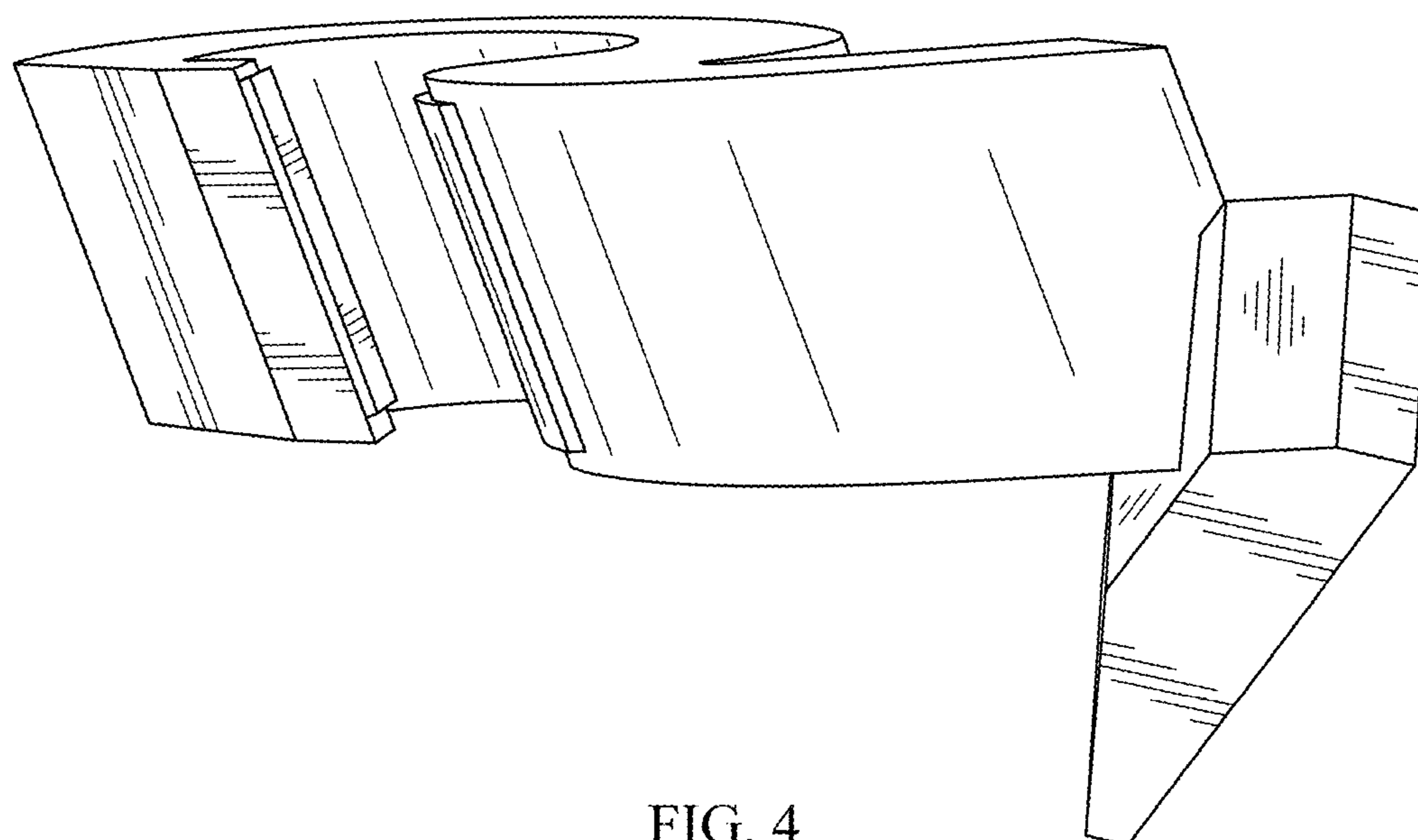


FIG. 4

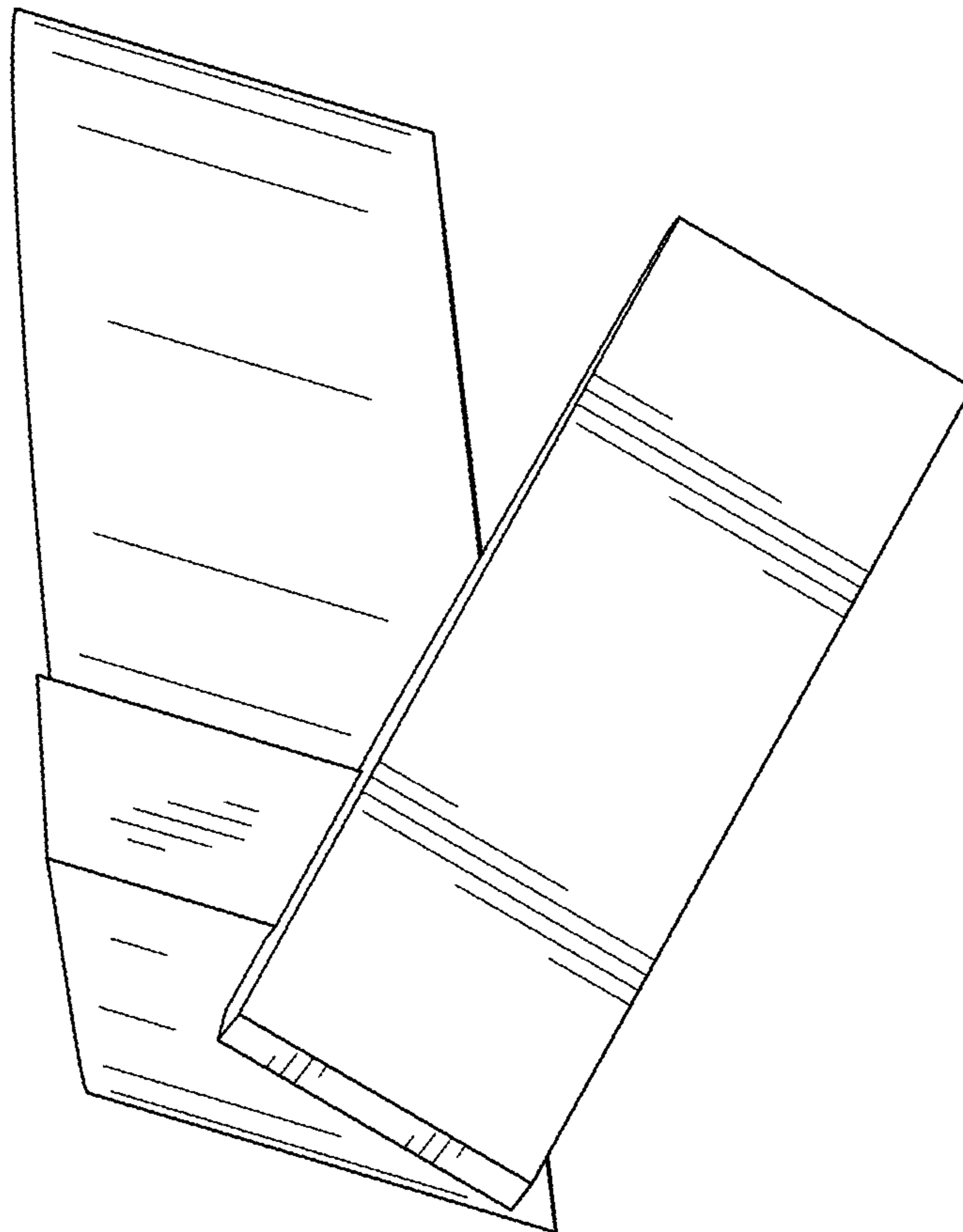


FIG. 5

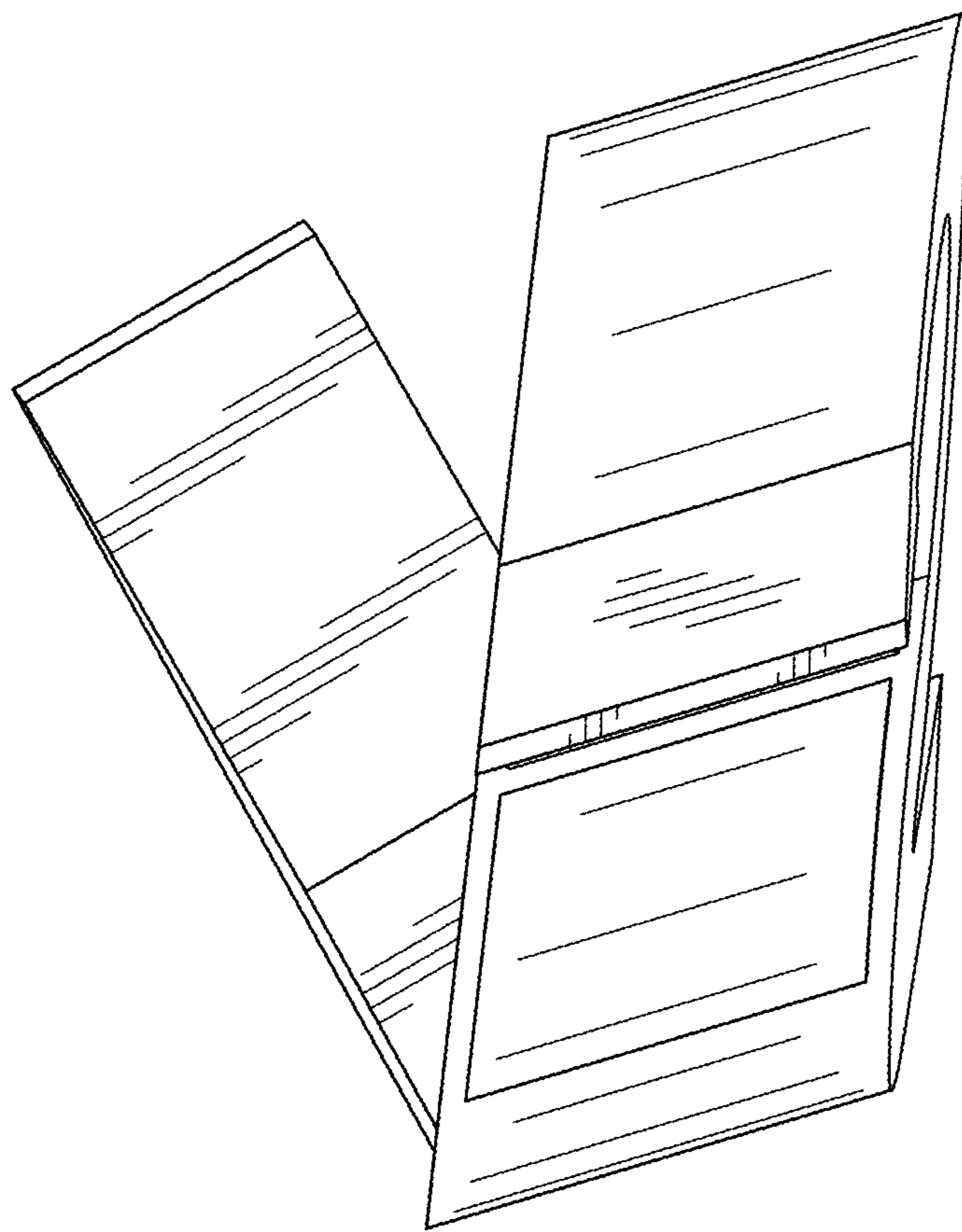


FIG. 6

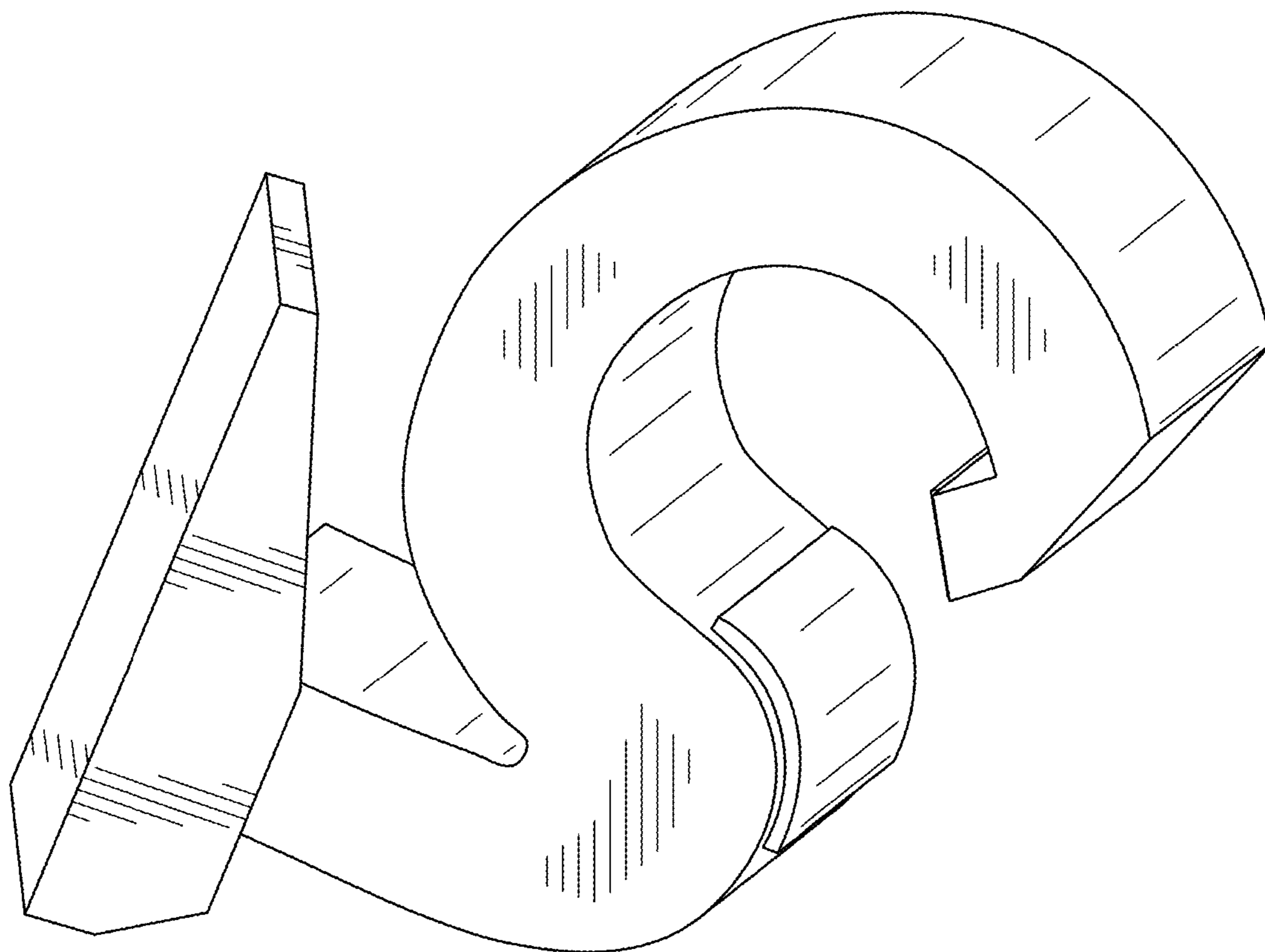


FIG. 7

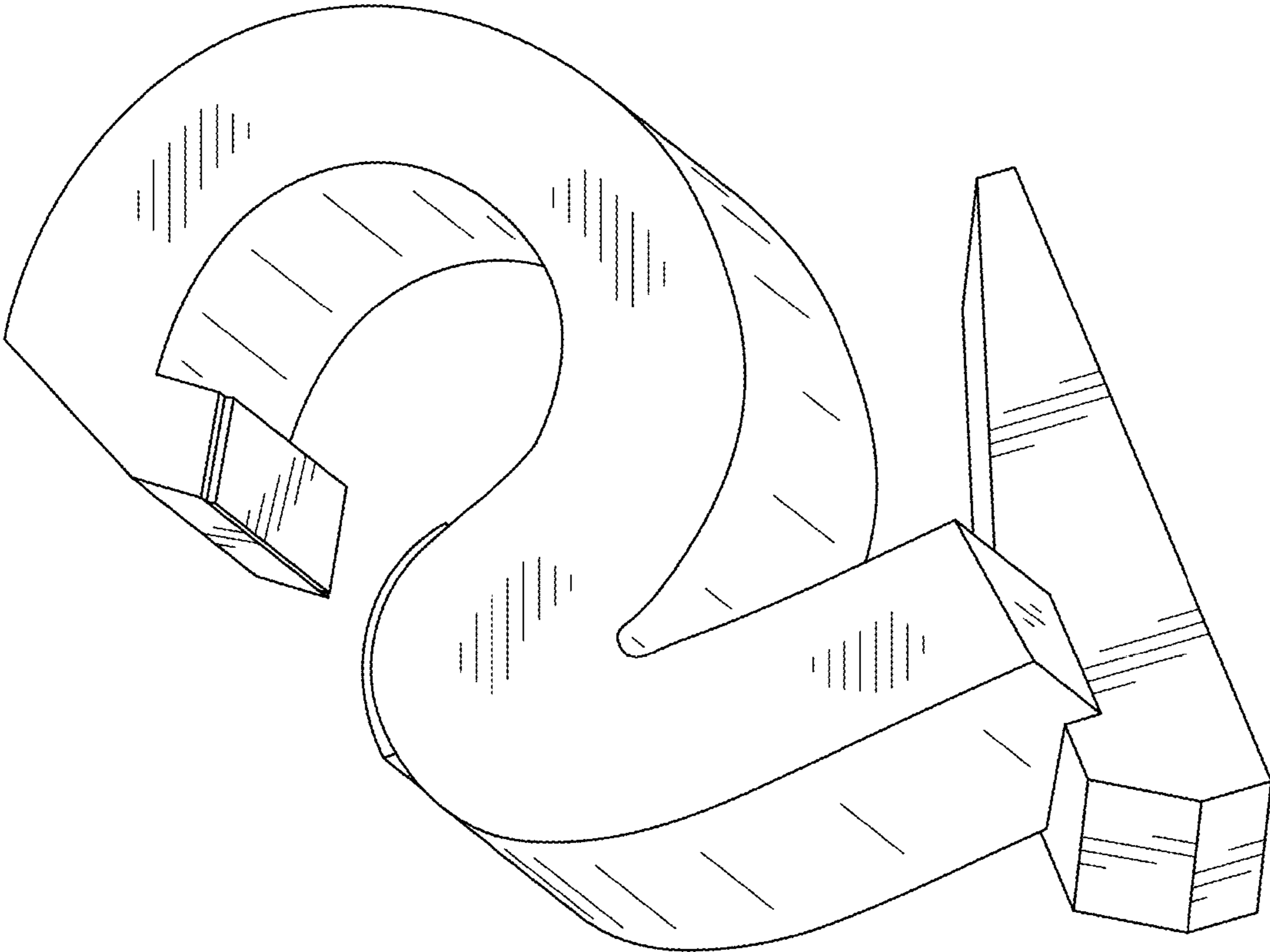


FIG. 8

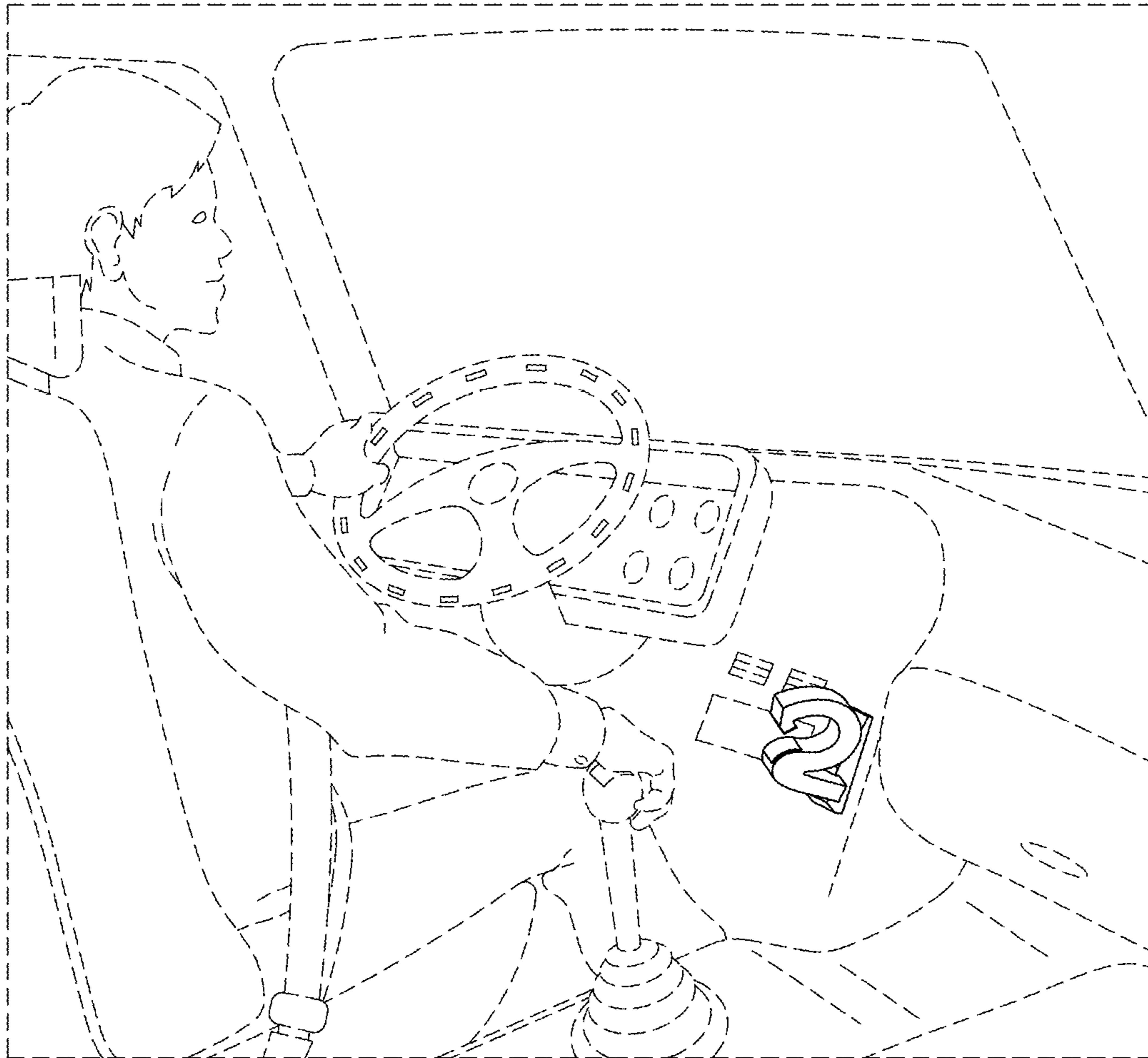


FIG. 9

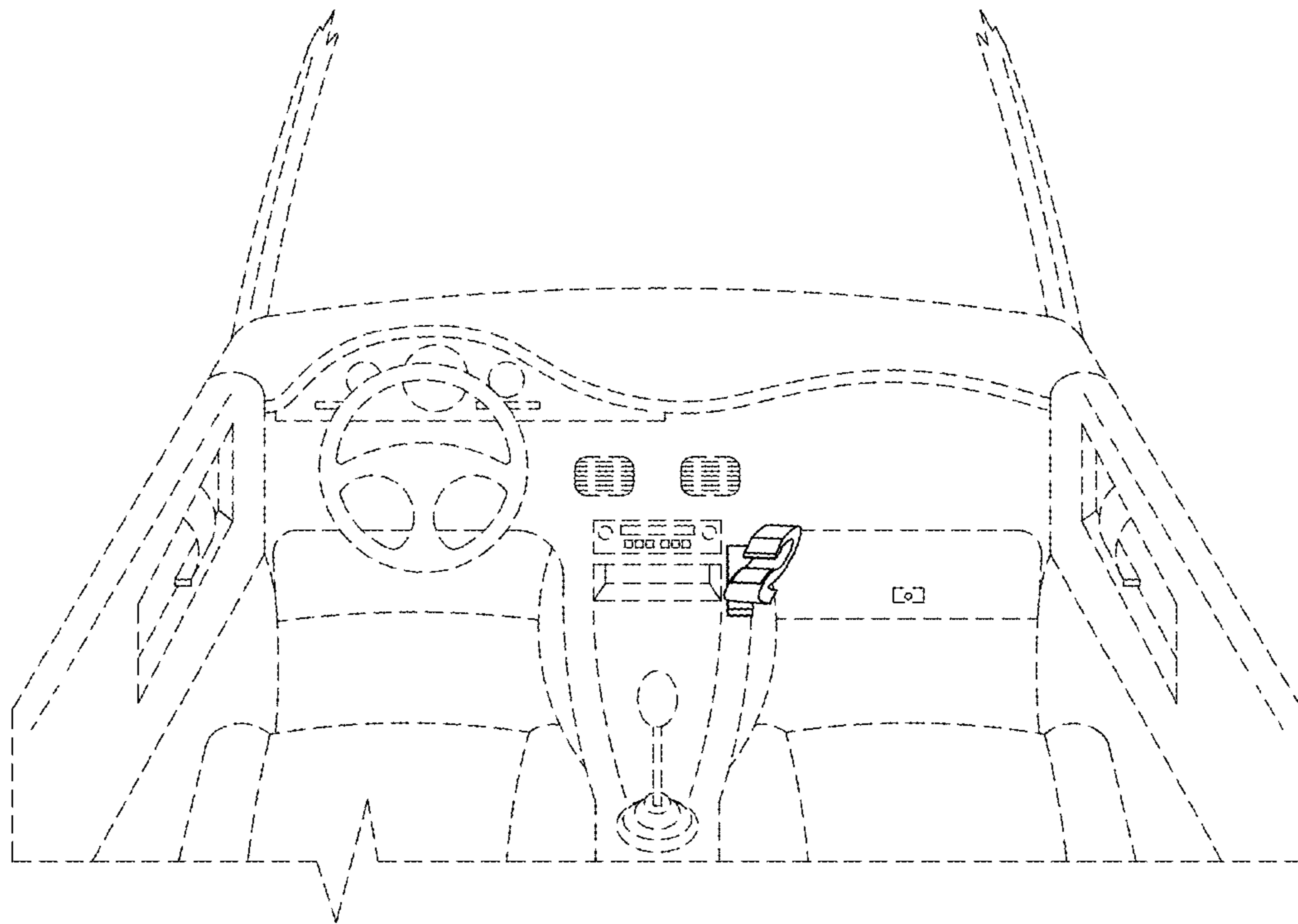


FIG. 10

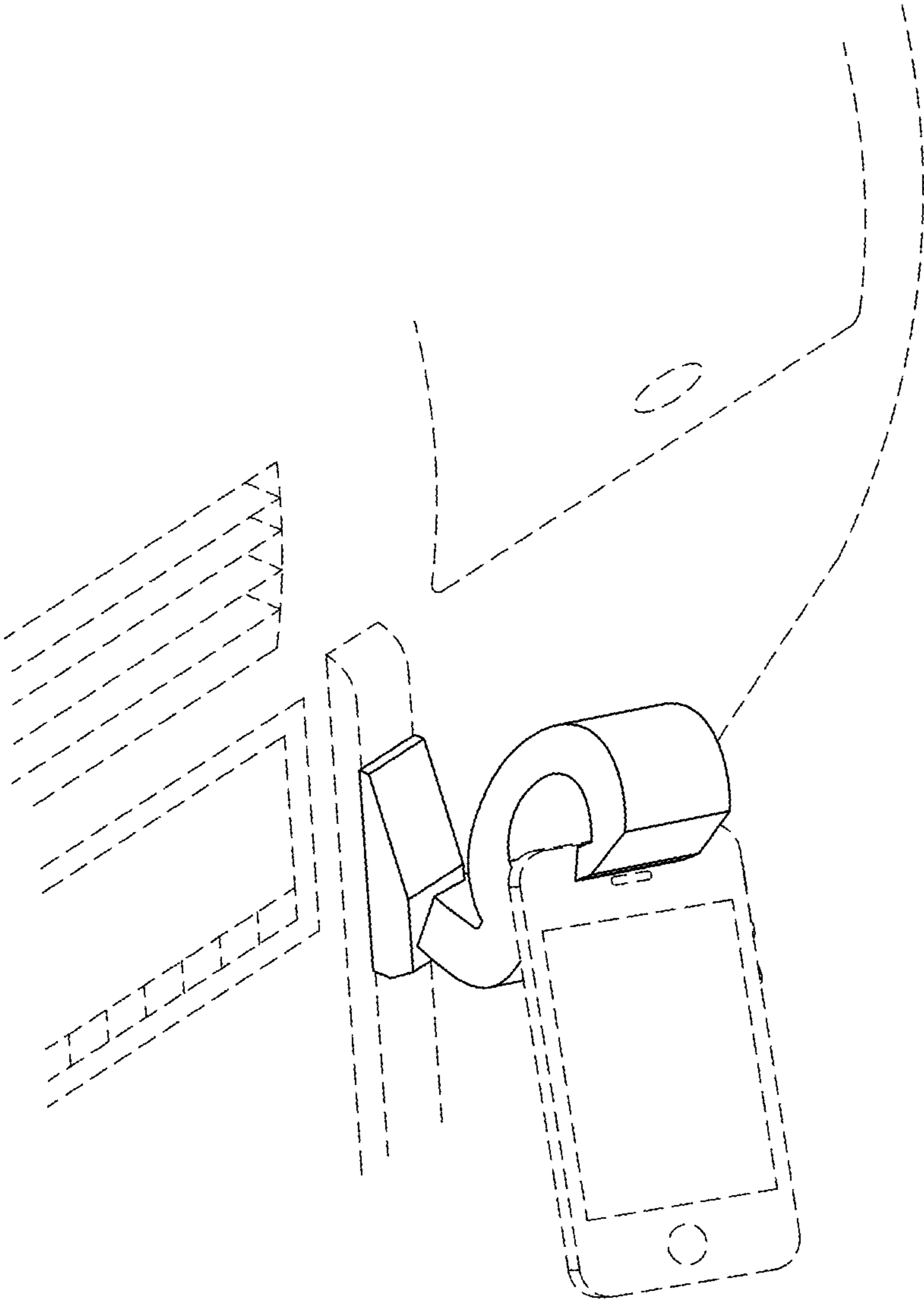


FIG. 11